

US00D542638S

(12) **United States Design Patent**
Heindl

(10) **Patent No.:** **US D542,638 S**

(45) **Date of Patent:** **** May 15, 2007**

(54) **CONNECTING ELEMENT FOR SHEET PILES**

(75) Inventor: **Richard Heindl**, Munich (DE)

(73) Assignee: **PilePro, LLC**, Rapid City, SD (US)

(**) Term: **14 Years**

(21) Appl. No.: **29/259,799**

(22) Filed: **May 16, 2006**

(30) **Foreign Application Priority Data**

Nov. 16, 2005 (EM) 000432257

(51) **LOC (8) Cl.** **08-08**

(52) **U.S. Cl.** **D8/382**

(58) **Field of Classification Search** D8/382;
D25/119; 403/363, 357, 381; 405/70, 278,
405/279; 24/573.09, 346, 370, 597, 598.5
See application file for complete search history.

(56) **References Cited**

U.S. PATENT DOCUMENTS

3,302,412 A * 2/1967 Hunsucker 405/278
3,688,508 A * 9/1972 Taylor 405/278
D242,034 S * 10/1976 Drawsky D25/119

D242,035 S * 10/1976 Drawsky D25/119
D242,138 S * 11/1976 Drawsky D25/119
D270,186 S * 8/1983 Jones D25/119
D283,353 S * 4/1986 Bancroft D25/119
5,437,520 A * 8/1995 Cherry et al. 405/279
6,053,666 A * 4/2000 Irvine et al. 405/279
6,282,762 B1 * 9/2001 Wall 24/573.09
D472,455 S * 4/2003 Wall D8/382
D517,905 S * 3/2006 Wall D8/382
D521,365 S * 5/2006 Wall D8/382
2002/0102131 A1 * 8/2002 Wall 403/363

* cited by examiner

Primary Examiner—Holly H. Baynham

Assistant Examiner—Cynthia M. Chin

(74) *Attorney, Agent, or Firm*—Milde & Hoffberg, LLP

(57) **CLAIM**

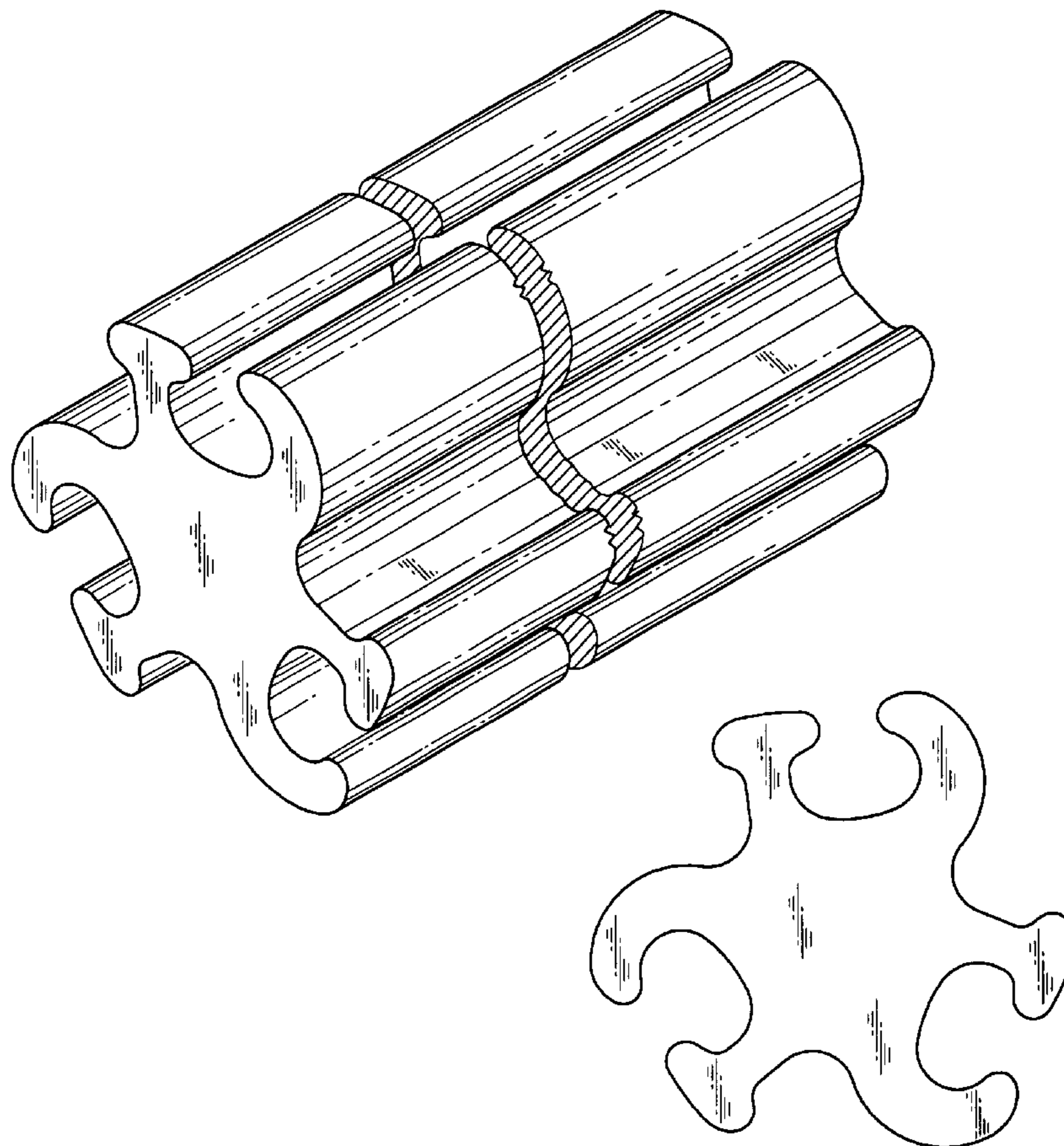
The ornamental design for a connecting element for sheet piles, as shown and described.

DESCRIPTION

FIG. 1 is a perspective view of the connecting element for sheet piles according to my new design. The connecting element is shown separated and bound by a bracket to indicate indeterminate length; and,

FIG. 2 an end view of the connecting element of FIG. 1.

1 Claim, 1 Drawing Sheet



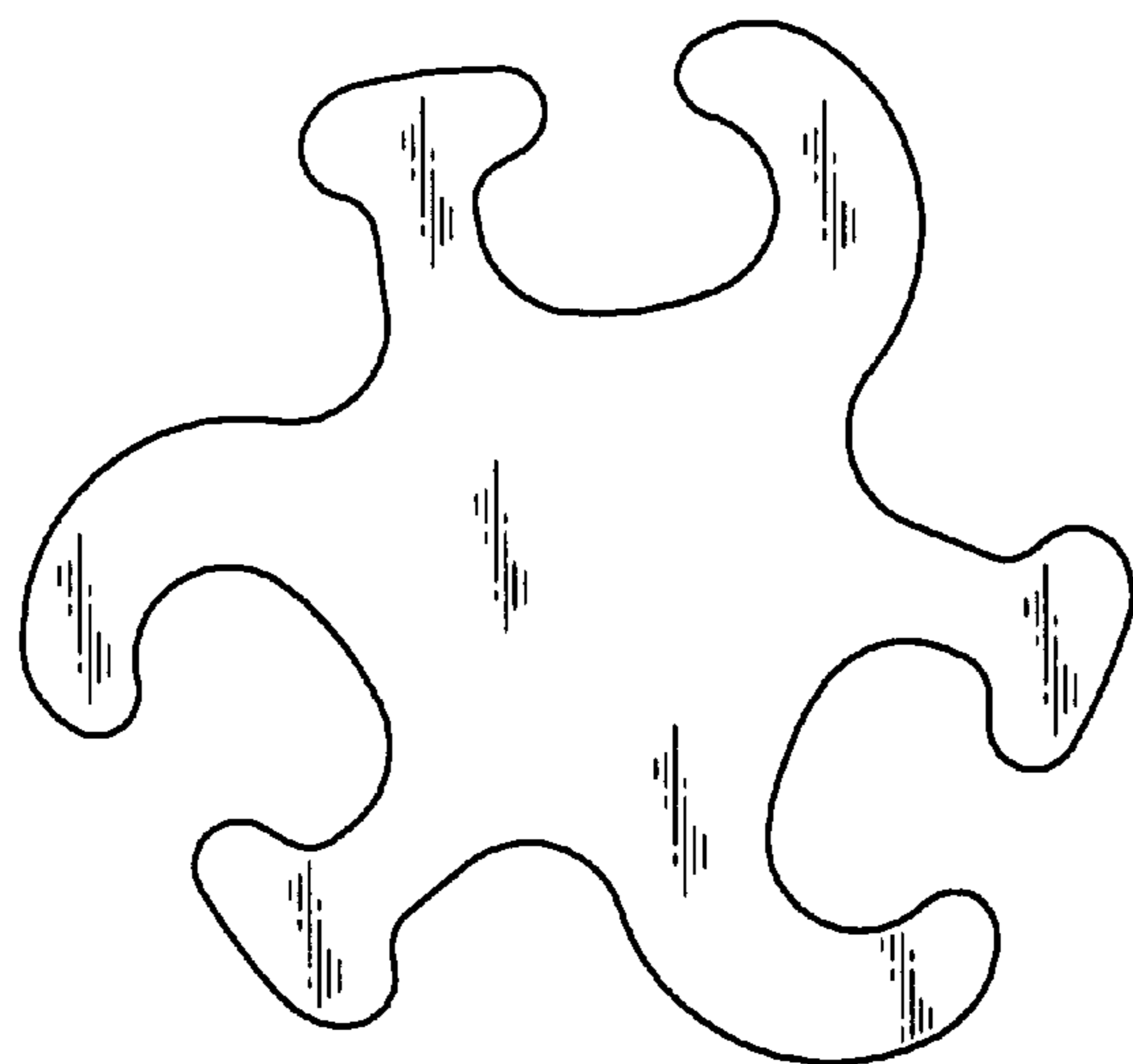
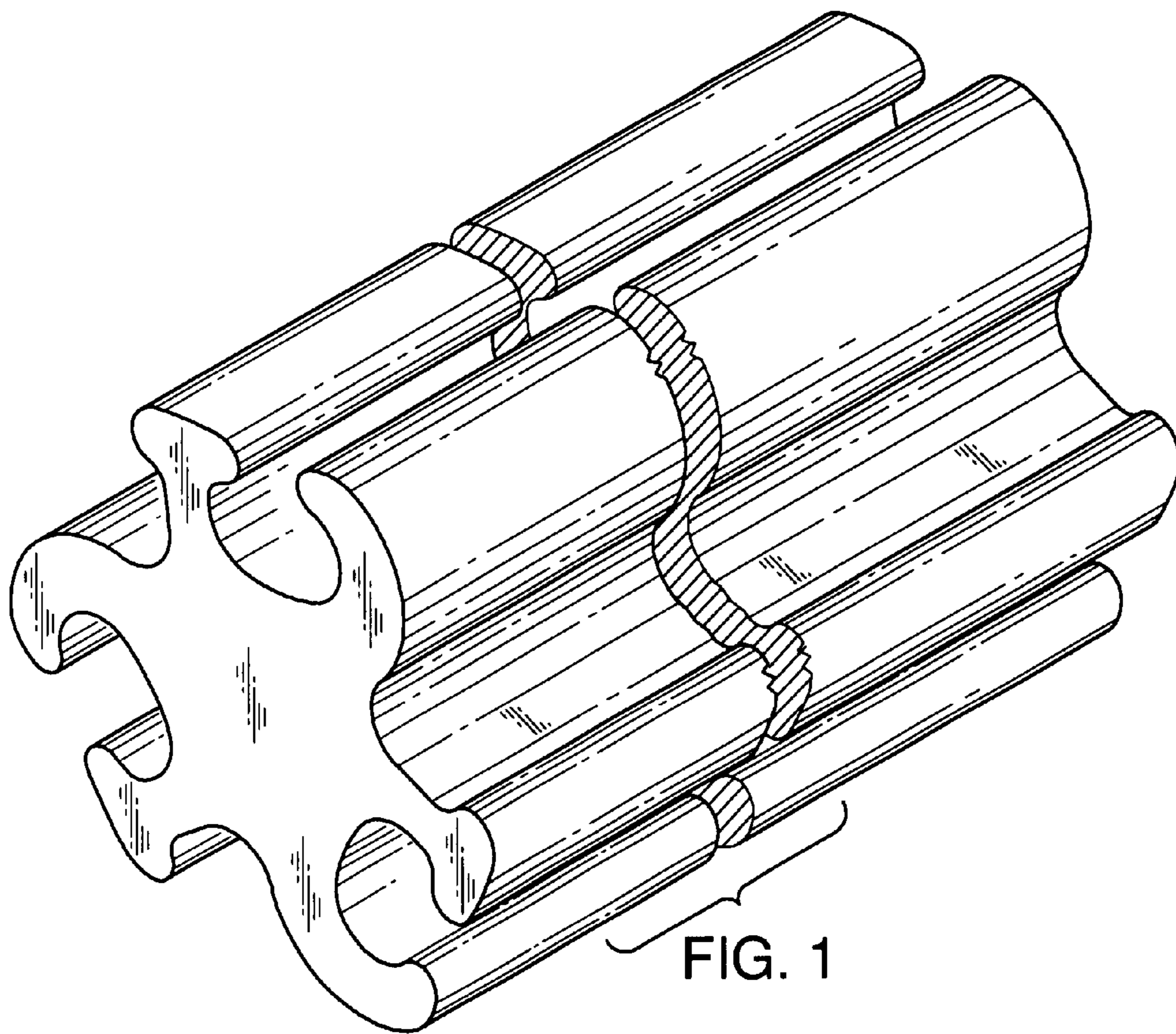


FIG. 2