



US00D542635S

(12) **United States Design Patent**  
**Heindl**

(10) **Patent No.:** **US D542,635 S**

(45) **Date of Patent:** **\*\* May 15, 2007**

(54) **CONNECTING ELEMENT FOR SHEET PILES**

(75) Inventor: **Richard Heindl**, Munich (DE)

(73) Assignee: **PilePro, LLC**, Rapid City, SD (US)

(\*\*) Term: **14 Years**

(21) Appl. No.: **29/259,793**

(22) Filed: **May 16, 2006**

(51) **LOC (8) Cl.** ..... **08-08**

(52) **U.S. Cl.** ..... **D8/382**

(58) **Field of Classification Search** ..... D8/382;  
D25/119; 403/363, 357, 381; 405/70, 278,  
405/279; 24/573.09, 346, 370, 597, 598.5  
See application file for complete search history.

(56) **References Cited**

**U.S. PATENT DOCUMENTS**

3,302,412	A	*	2/1967	Hunsucker	.....	405/278
3,688,508	A	*	9/1972	Taylor	.....	405/278
D242,034	S	*	10/1976	Drawsky	.....	D25/119
D242,035	S	*	10/1976	Drawsky	.....	D25/119
D242,138	S	*	11/1976	Drawsky	.....	D25/119

D270,186	S	*	8/1983	Jones	.....	D25/119
D283,353	S	*	4/1986	Bancroft	.....	D25/119
5,437,520	A	*	8/1995	Cherry et al.	.....	405/279
6,053,666	A	*	4/2000	Irvine et al.	.....	405/279
6,282,762	B1	*	9/2001	Wall	.....	24/573.09
D472,455	S	*	4/2003	Wall	.....	D8/382
D517,905	S	*	3/2006	Wall	.....	D8/382
D521,365	S	*	5/2006	Wall	.....	D8/382
2002/0102131	A1	*	8/2002	Wall	.....	403/363

\* cited by examiner

*Primary Examiner*—Holly H. Baynham

*Assistant Examiner*—Cynthia M. Chin

(74) *Attorney, Agent, or Firm*—Milde & Hoffberg, LLP

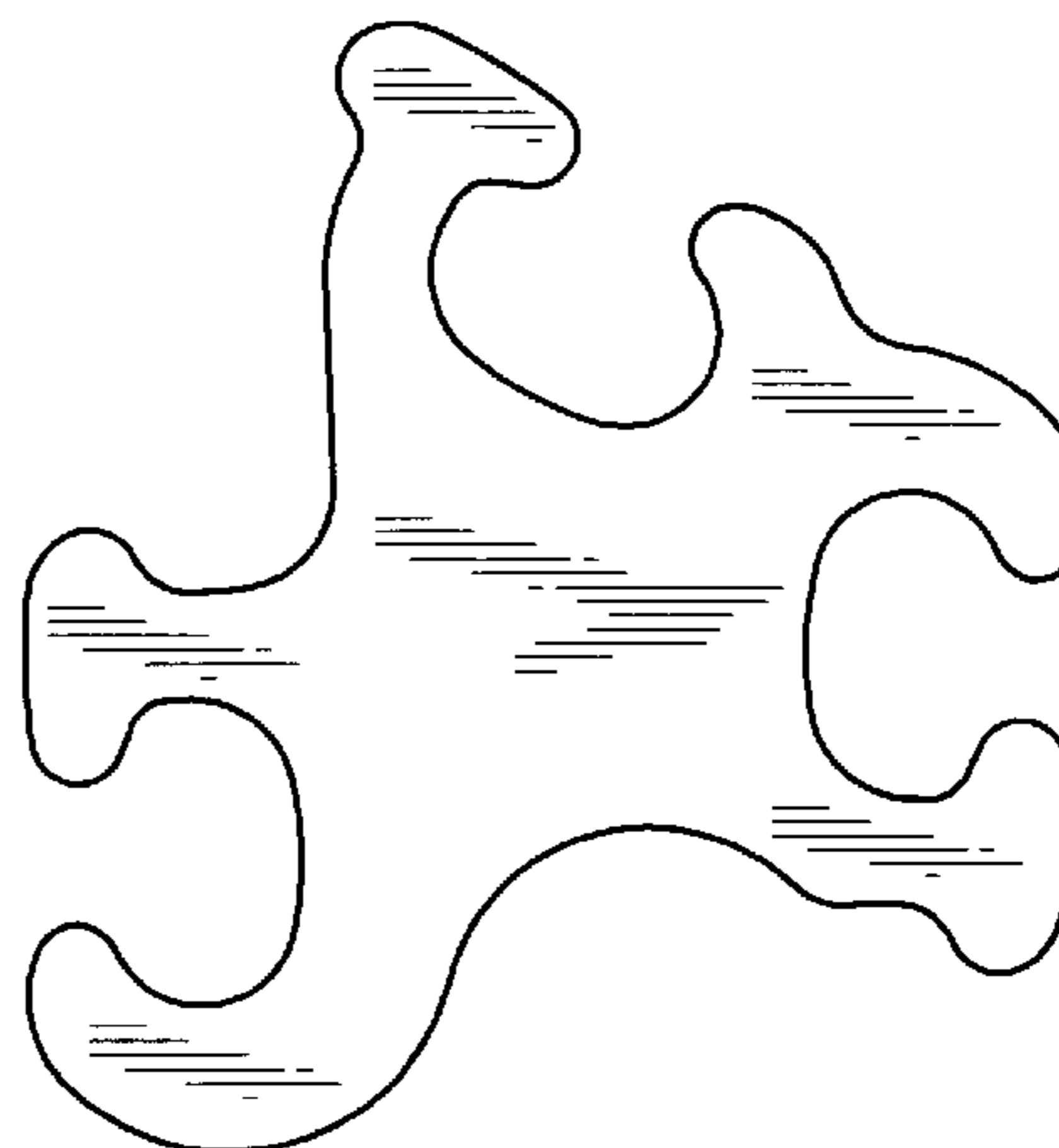
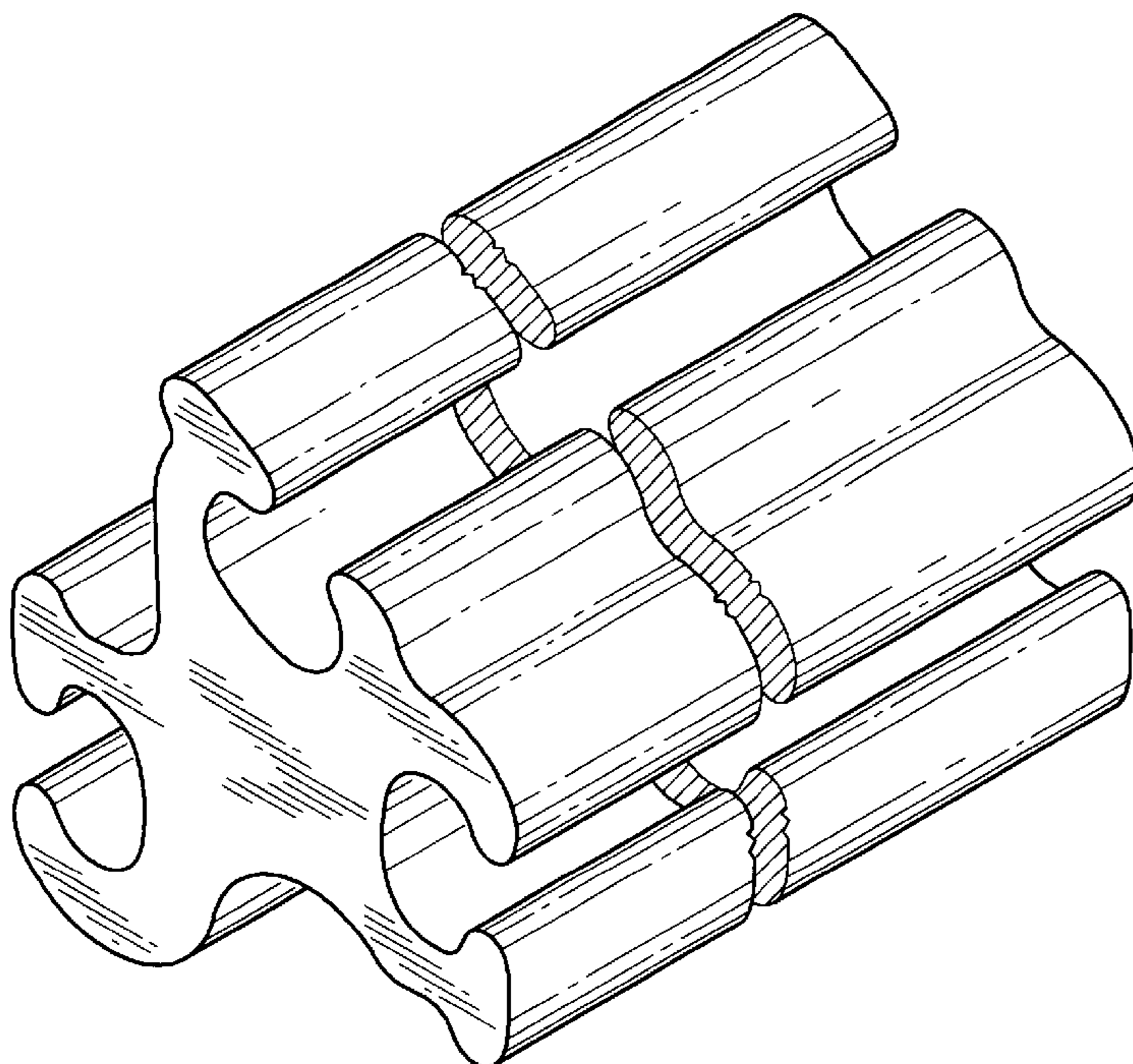
(57) **CLAIM**

The ornamental design for a connecting element for sheet piles, as shown and described.

**DESCRIPTION**

FIG. 1 is a perspective view of the connecting element for sheet piles according to my new design. The connecting element is shown separated and bound by a bracket to indicate indeterminate length; and, FIG. 2 an end view of the connecting element of FIG. 1.

**1 Claim, 1 Drawing Sheet**



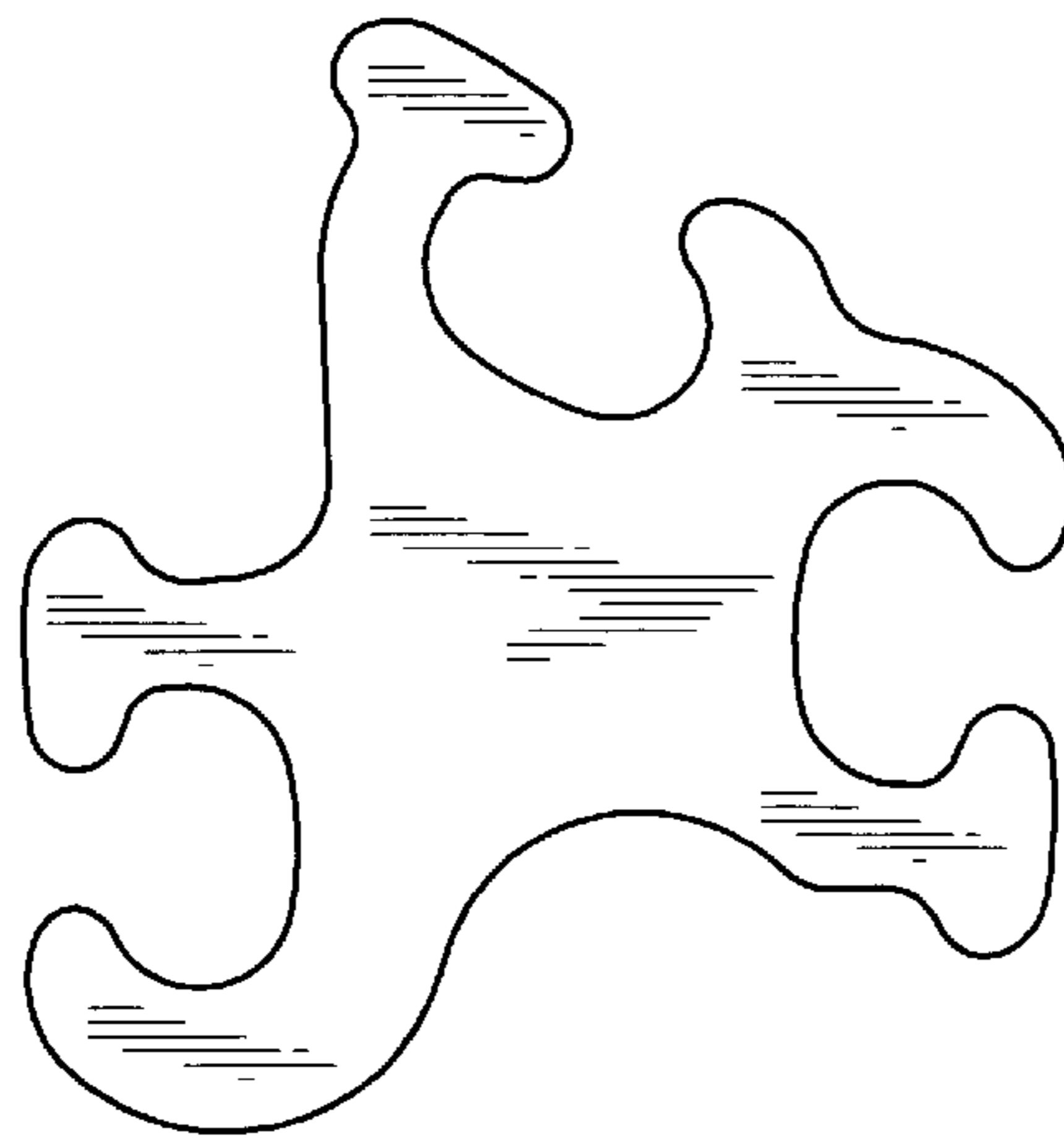
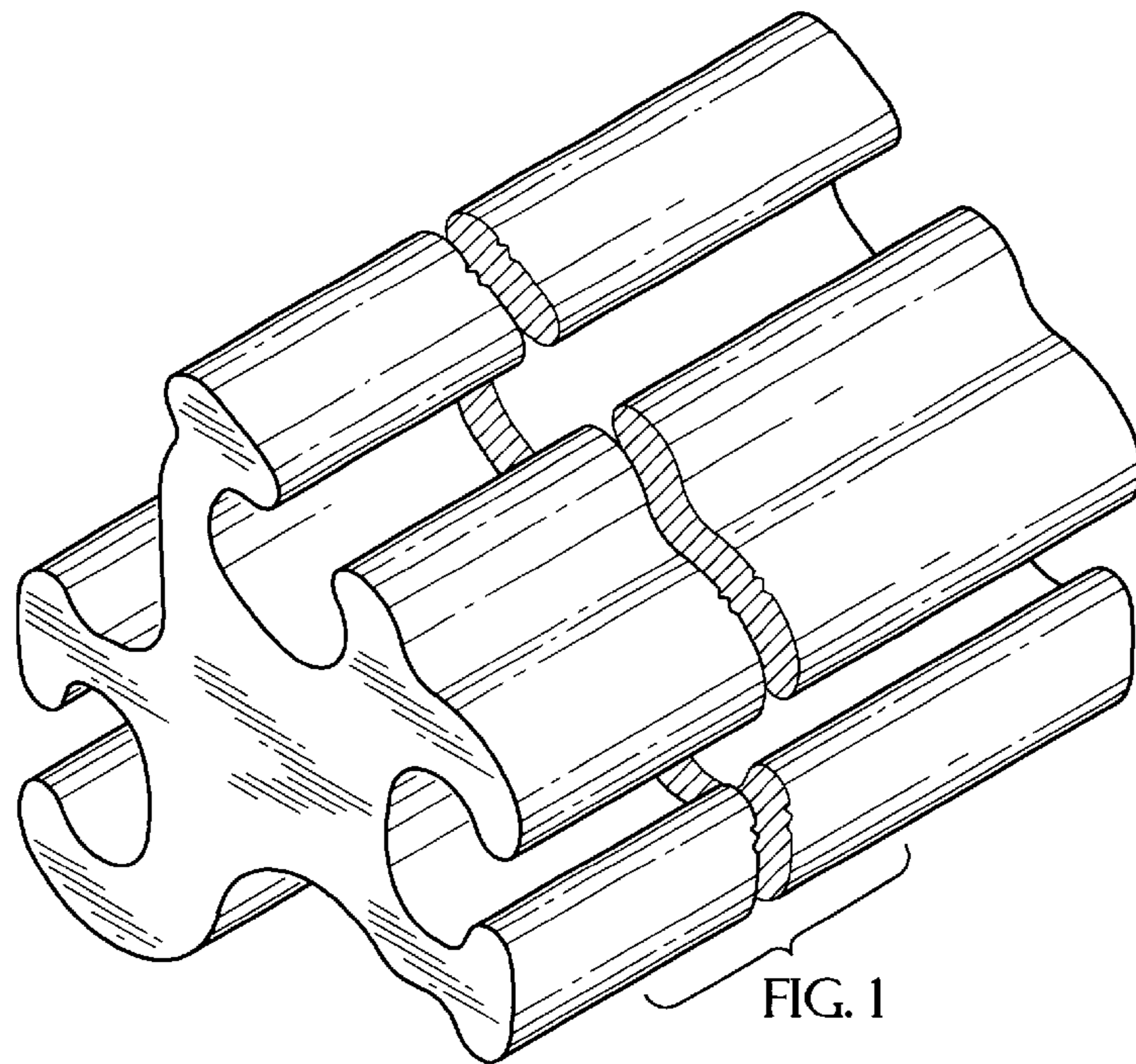


FIG. 2