

US00D542633S

(12) **United States Design Patent**
Heindl

(10) **Patent No.:** **US D542,633 S**

(45) **Date of Patent:** **** May 15, 2007**

(54) **CONNECTING ELEMENT FOR SHEET PILES**

(75) Inventor: **Richard Heindl**, Munich (DE)

(73) Assignee: **PilePro, LLC**, Rapid City, SD (US)

(**) Term: **14 Years**

(21) Appl. No.: **29/242,398**

(22) Filed: **Nov. 9, 2005**

(51) **LOC (8) Cl.** **08-08**

(52) **U.S. Cl.** **D8/382**

(58) **Field of Classification Search** D8/382;
D25/119; 403/363, 357, 381; 405/70, 278,
405/279; 24/573.09, 346, 370, 597, 598.5
See application file for complete search history.

(56) **References Cited**

U.S. PATENT DOCUMENTS

3,302,412 A * 2/1967 Hunsucker 405/278
3,688,508 A * 9/1972 Taylor 405/278

6,053,666 A * 4/2000 Irvine et al. 405/279
6,282,762 B1 * 9/2001 Wall 24/573.09
6,428,244 B1 * 8/2002 Wall 405/279
D463,043 S * 9/2002 Edger D25/119
D485,622 S * 1/2004 Sudano D25/119
2002/0102131 A1 * 8/2002 Wall 403/363

* cited by examiner

Primary Examiner—Holly H. Baynham

Assistant Examiner—Cynthia M. Chin

(74) *Attorney, Agent, or Firm*—Milde & Hoffberg, LLP

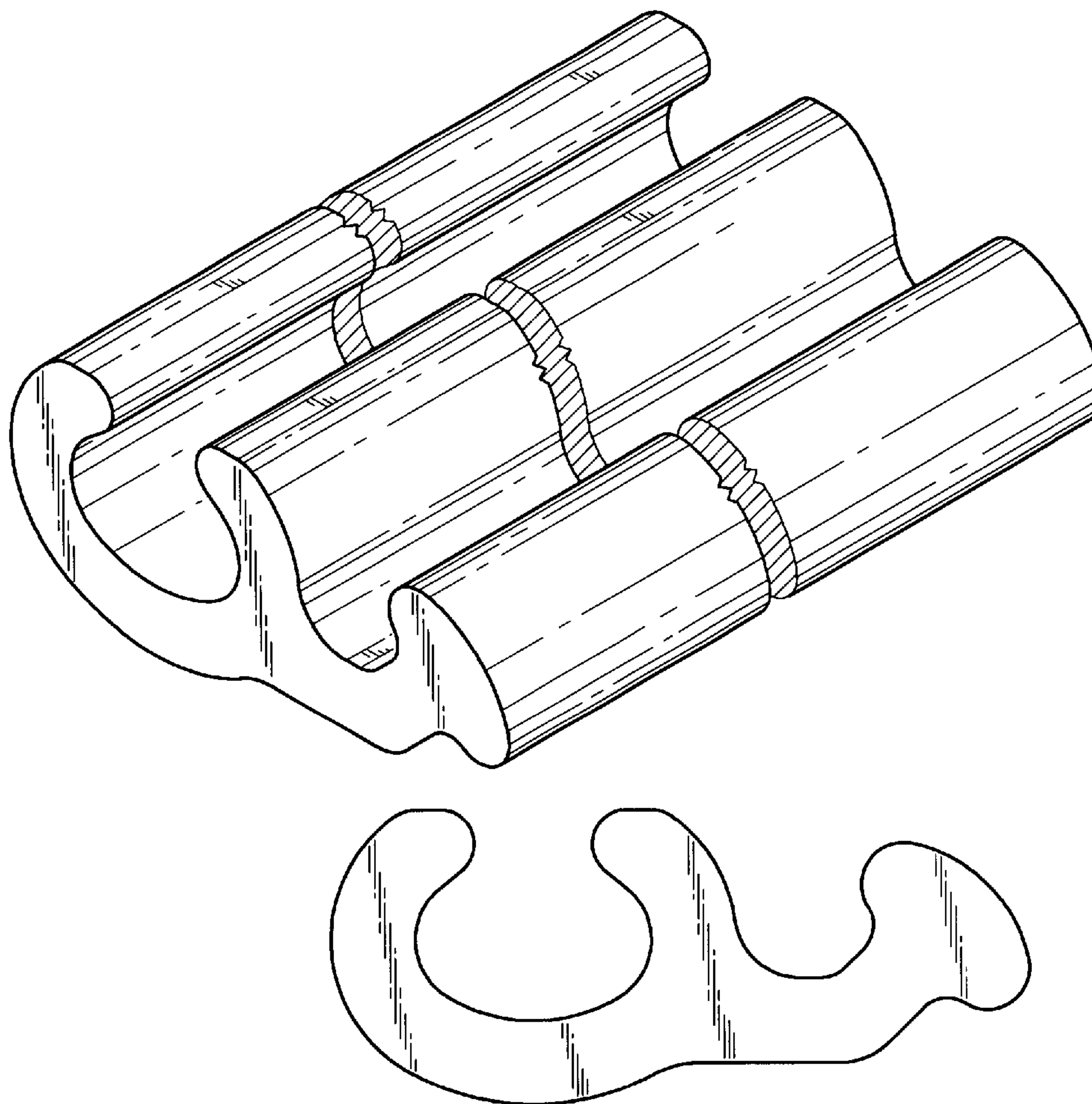
(57) **CLAIM**

The ornamental design for a connecting element for sheet piles, as shown and described.

DESCRIPTION

FIG. 1 is a perspective view of the connecting element for sheet piles according to my new design. The connecting element is shown separated and bound by a bracket to indicate indeterminate length; and, FIG. 2 is an end view of the connecting element of FIG. 1.

1 Claim, 1 Drawing Sheet



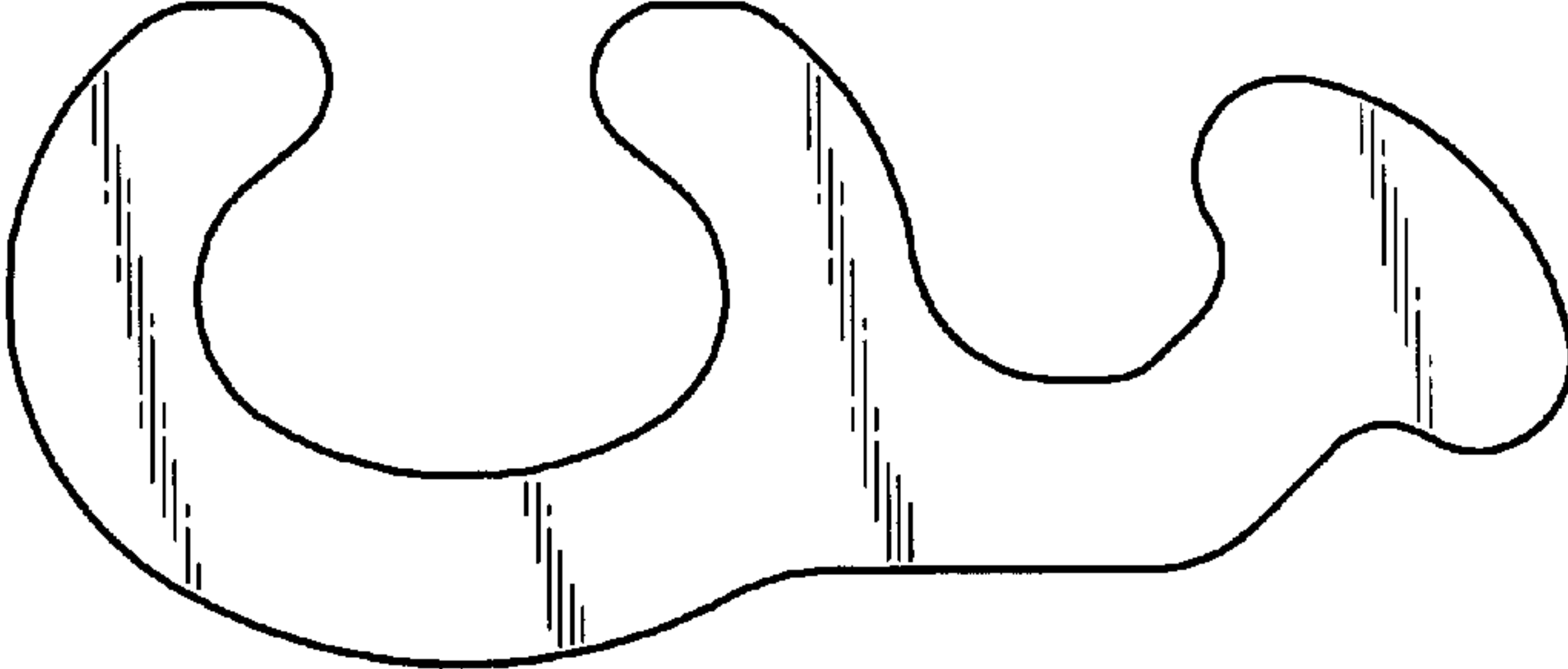
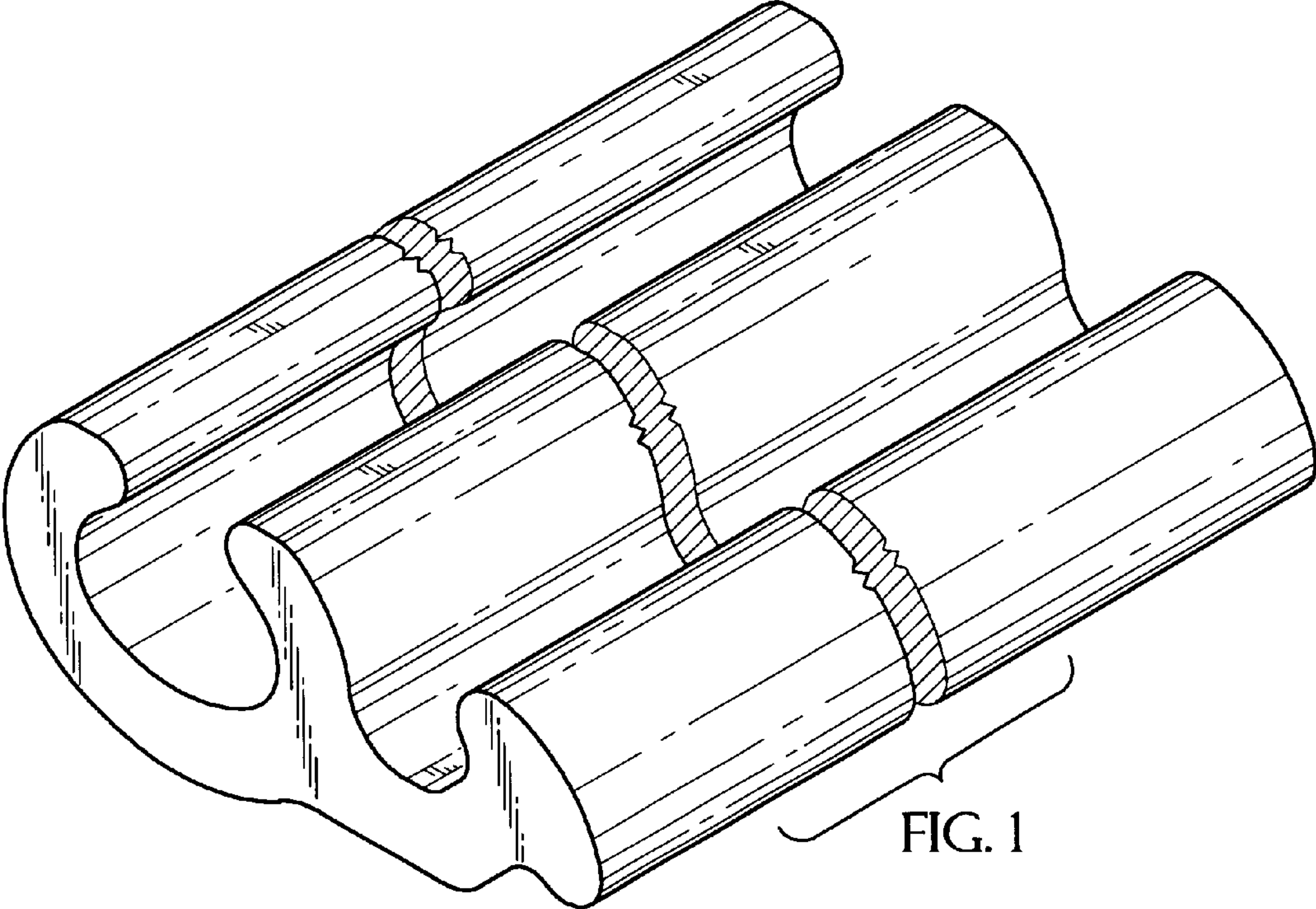


FIG. 2