



US00D542629S

(12) **United States Design Patent**  
**Thompson**

(10) **Patent No.:** **US D542,629 S**

(45) **Date of Patent:** **\*\* May 15, 2007**

(54) **ELASTIC BRACKET FOR SUPPORT OF CONDUIT, CABLE, WIRE AND THE LIKE ON A HANGER BODY**

(76) **Inventor:** **William J. Thompson**, 6600 Artesia Blvd., Buena Park, CA (US) 90620-1008

(\*\*) **Term:** **14 Years**

(21) **Appl. No.:** **29/244,984**

(22) **Filed:** **Dec. 15, 2005**

(51) **LOC (8) Cl.** ..... **08-05**

(52) **U.S. Cl.** ..... **D8/356**

(58) **Field of Classification Search** ..... D8/356, D8/354; 24/115 R, 115 H, 129 R; 248/65  
See application file for complete search history.

(56) **References Cited**

**U.S. PATENT DOCUMENTS**

- D288,407 S \* 2/1987 St. Alban ..... D8/354
- D333,421 S \* 2/1993 Patti ..... D8/356
- D336,284 S \* 6/1993 Pruett et al. .... D13/154
- 6,005,195 A \* 12/1999 Kam ..... 174/135

D473,124 S \* 4/2003 Wu et al. .... D8/356

\* cited by examiner

*Primary Examiner*—Holly H. Baynham

(74) *Attorney, Agent, or Firm*—Dennis W. Beech

(57) **CLAIM**

The ornamental design for an elastic bracket for support of conduit, cable, wire and the like on a hanger body, as shown and described.

**DESCRIPTION**

FIG. 1 is a front elevation view of the elastic bracket for support of conduit, cable, wire and the like on a hanger body showing my new design;

FIG. 2 is a back elevation view of the invention thereof;

FIG. 3 is a first side elevation view thereof;

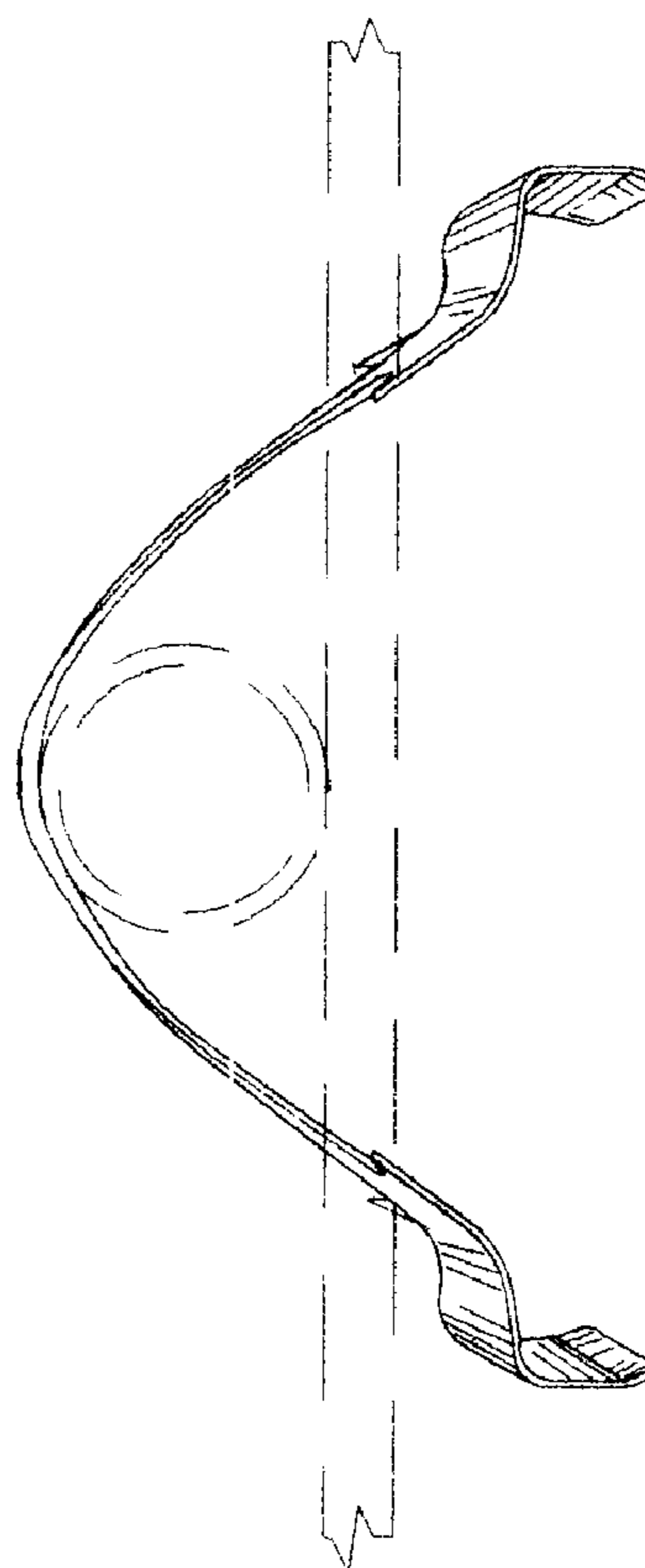
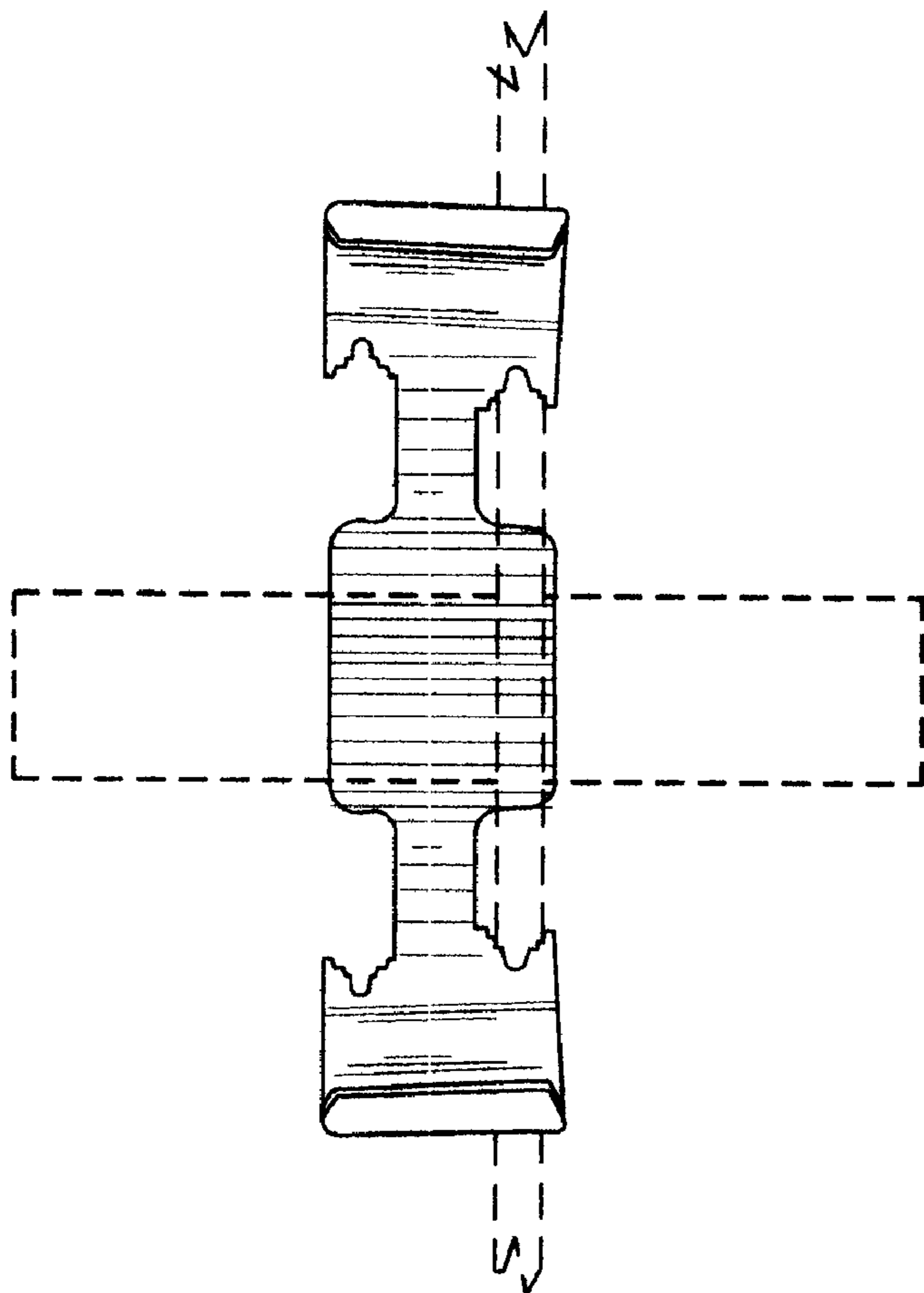
FIG. 4 is a second side elevation view thereof;

FIG. 5 is a first end view thereof; and,

FIG. 6 is a second end view thereof.

The broken line showing of the hanger body and conduit in FIGS. 1 through 6 is for illustrative purposes only and forms no part of the claimed design.

**1 Claim, 1 Drawing Sheet**



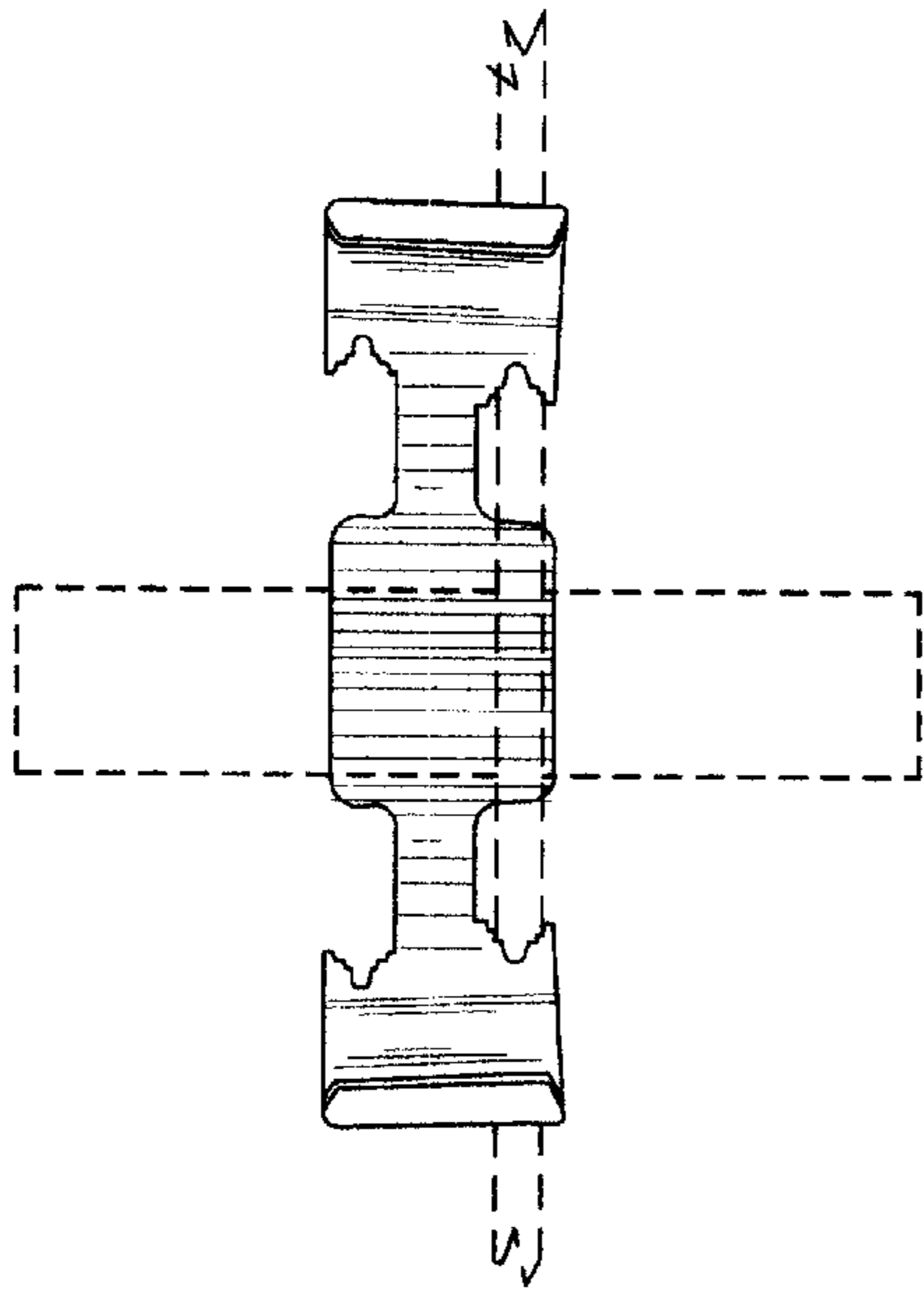


FIG. 1

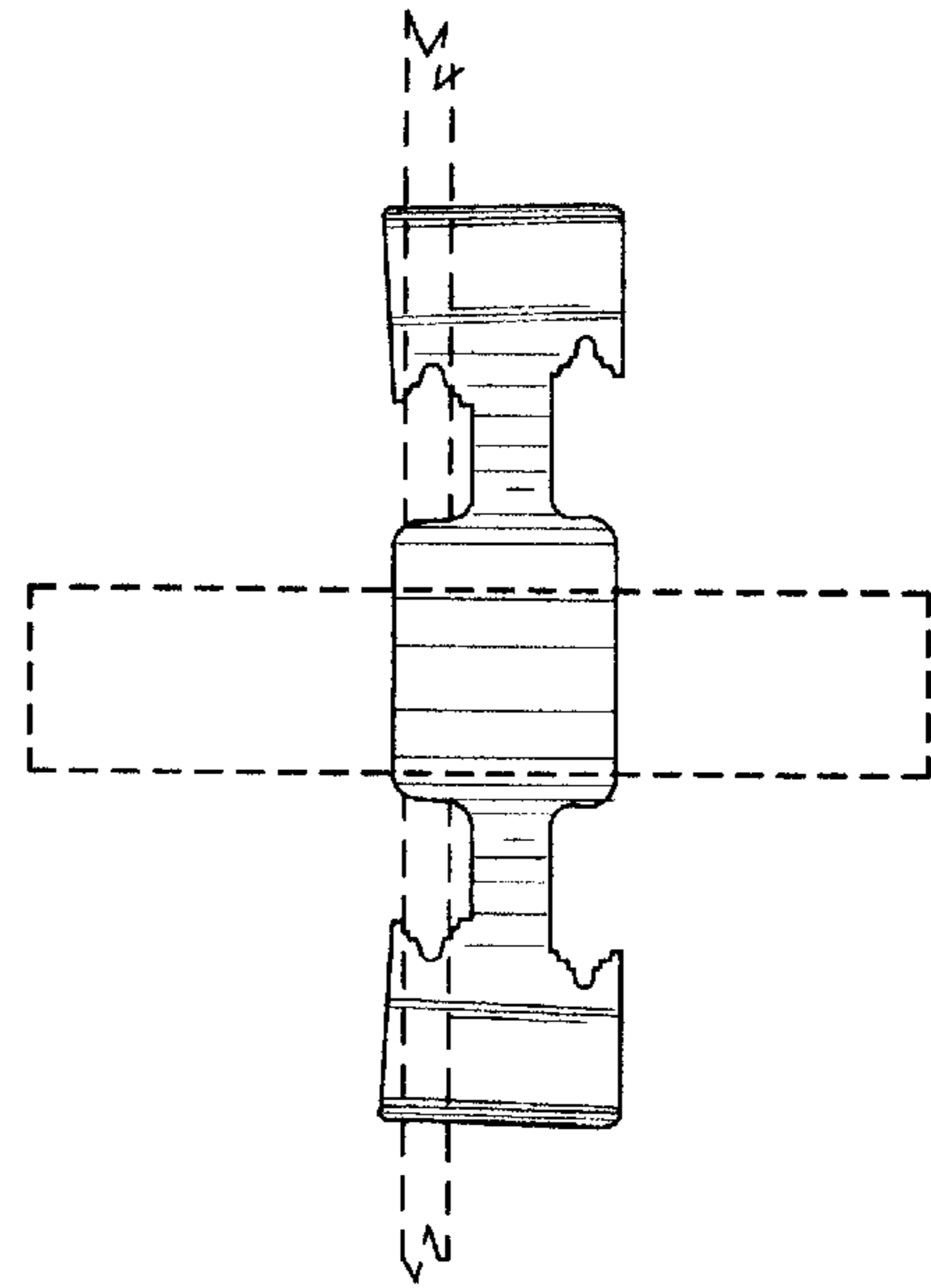


FIG. 2

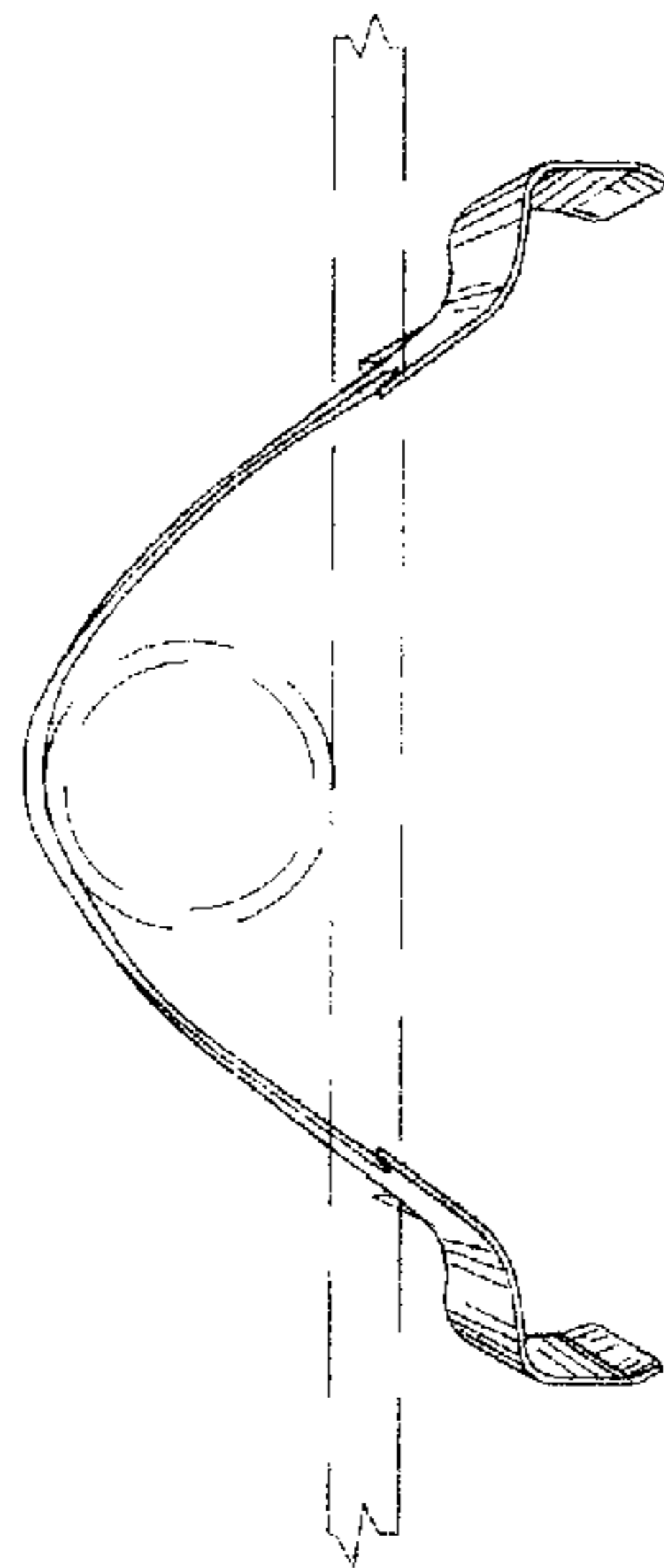


FIG. 3

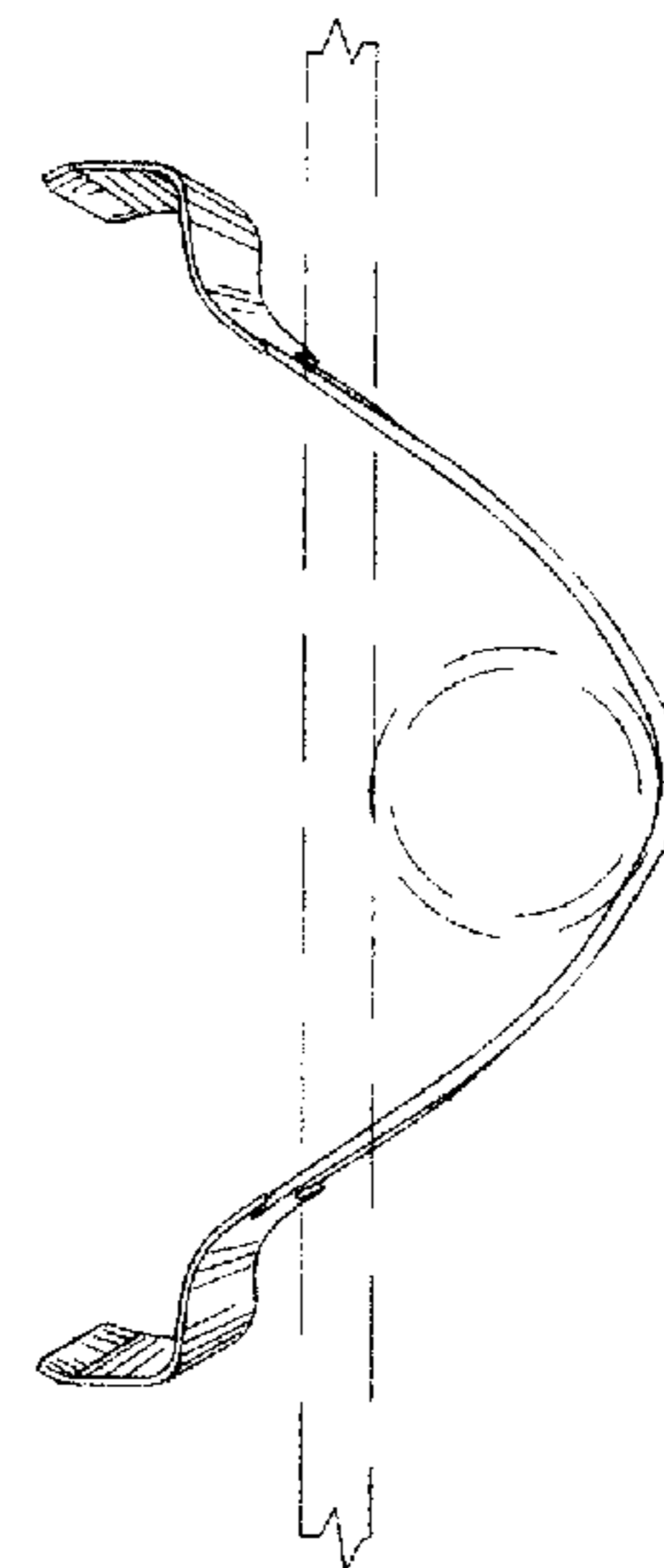


FIG. 4

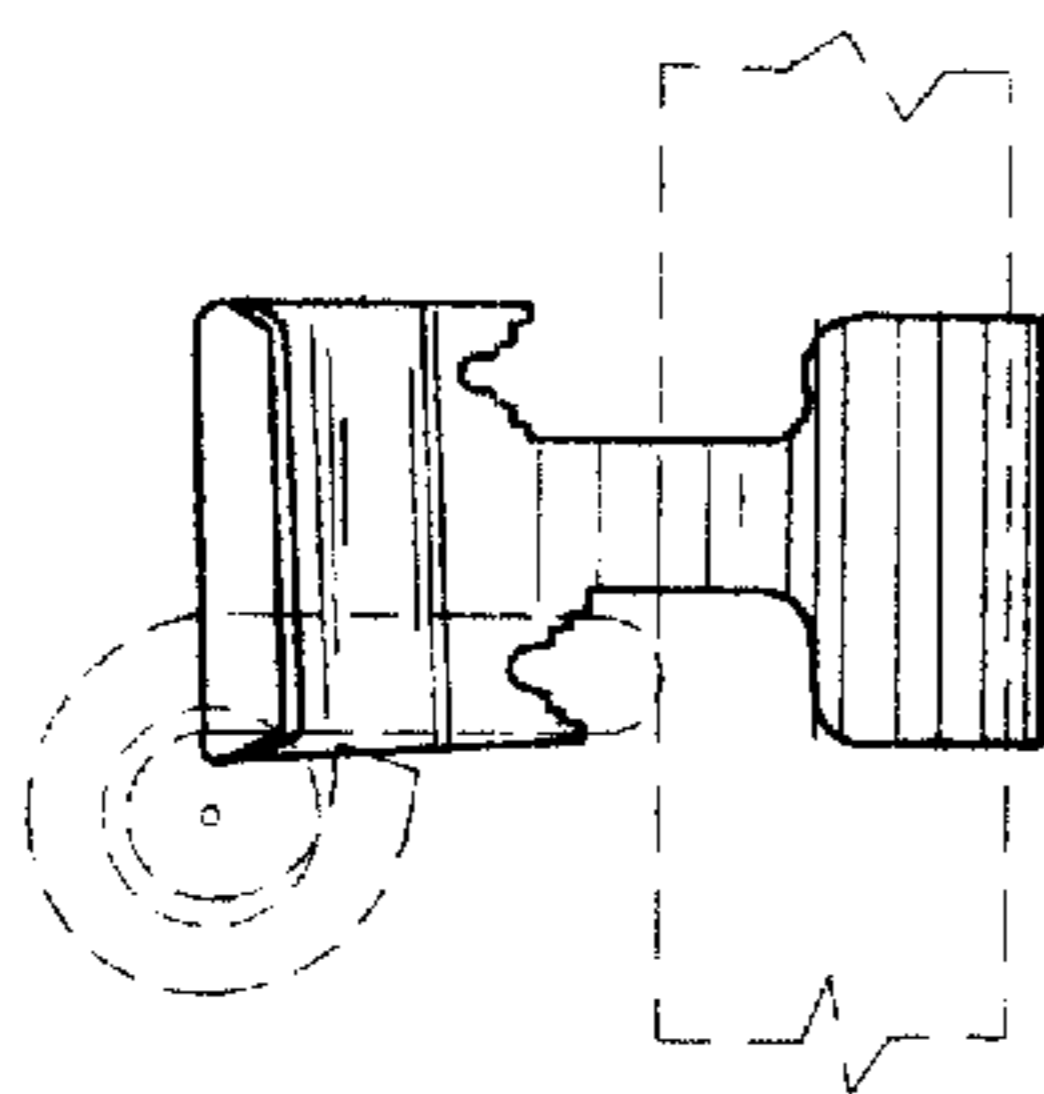


FIG. 5

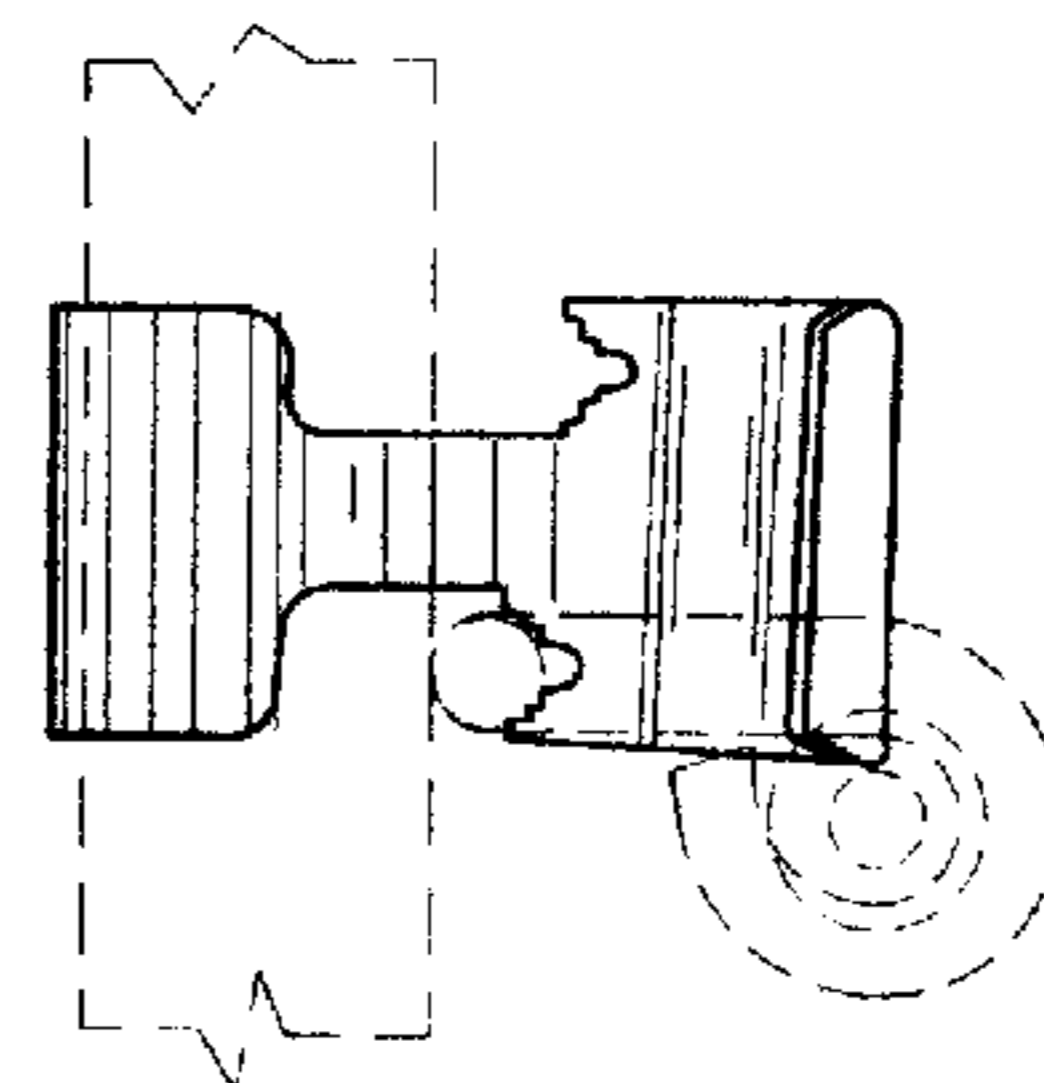


FIG. 6