



US00D542628S

(12) **United States Design Patent**  
**Brassard**

(10) **Patent No.:** **US D542,628 S**

(45) **Date of Patent:** **\*\* May 15, 2007**

(54) **MOUNTING PLATE**

(76) **Inventor:** **Paul Brassard**, 20 La Porte, Arcadia,  
CA (US) 91006

(\*\*) **Term:** **14 Years**

(21) **Appl. No.:** **29/232,600**

(22) **Filed:** **Jun. 20, 2005**

(51) **LOC (8) Cl.** ..... **08-05**

(52) **U.S. Cl.** ..... **D8/354**

(58) **Field of Classification Search** ..... D8/349,  
D8/354, 350, 353; 248/27.1, 200, 300  
See application file for complete search history.

(56) **References Cited**

**U.S. PATENT DOCUMENTS**

- D402,186 S \* 12/1998 Pearse ..... D8/353
- D427,888 S \* 7/2000 Hannon ..... D8/354
- D481,926 S \* 11/2003 Engelmayer ..... D8/354

D505,856 S \* 6/2005 Kim et al. .... D8/353

\* cited by examiner

*Primary Examiner*—Holly H. Baynham

(74) *Attorney, Agent, or Firm*—James E. Brunton, Esq.

(57) **CLAIM**

The ornamental design for “mounting plate,” as shown.

**DESCRIPTION**

FIG. 1 is a perspective front view of a “mounting plate” showing my new design;

FIG. 2 is a front view thereof;

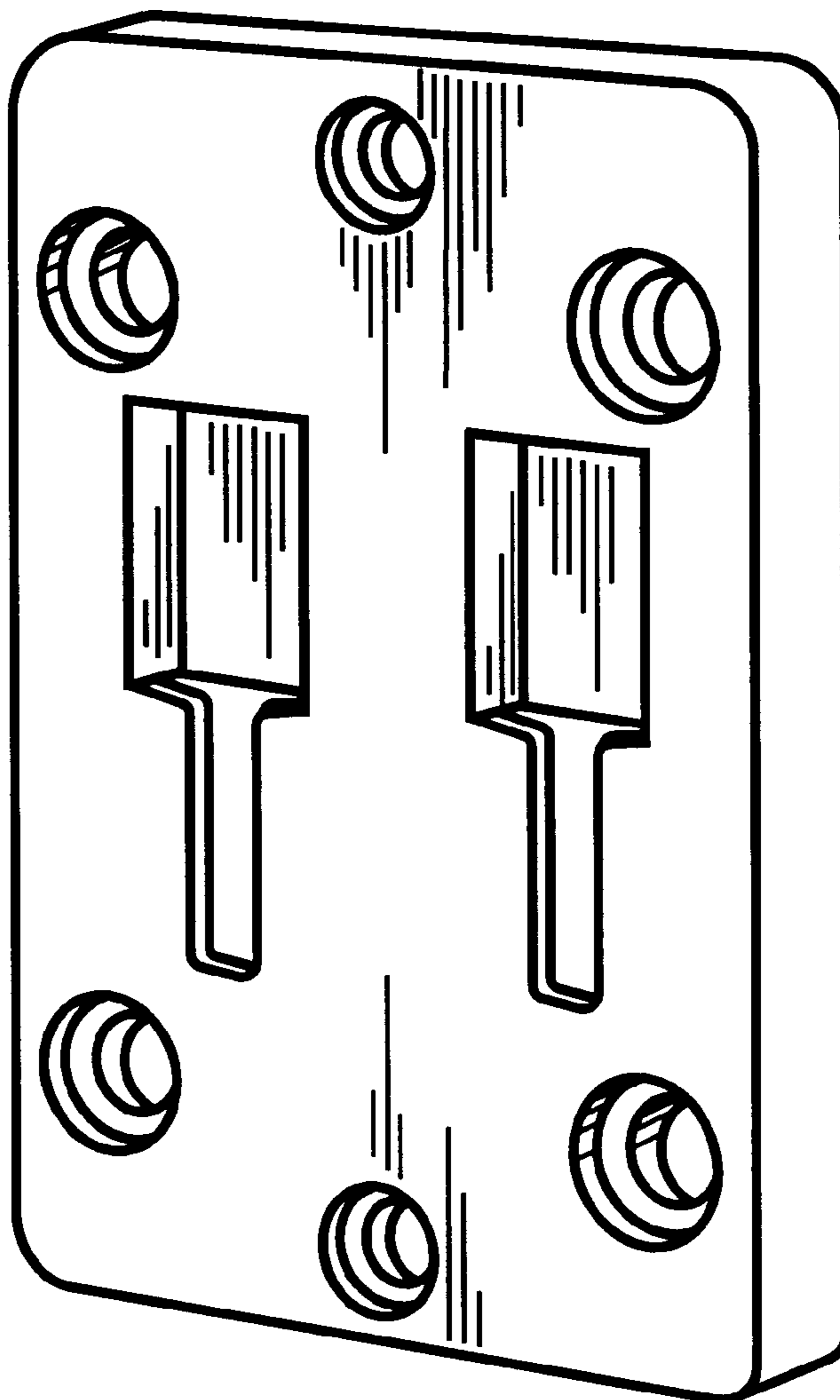
FIG. 3 is a rear view thereof;

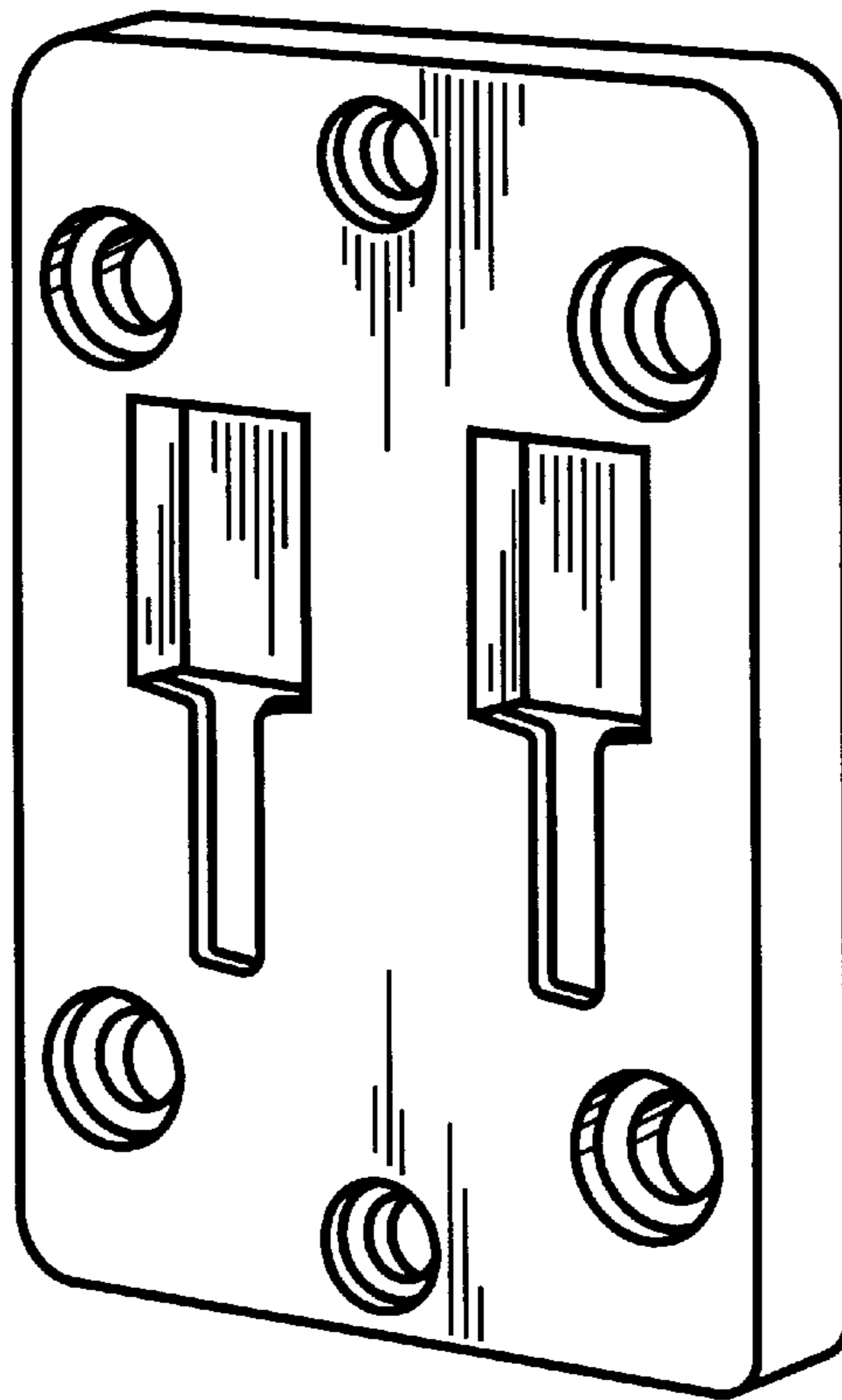
FIG. 4 is a side view thereof; the opposite side being identical thereto;

FIG. 5 is a top plan view thereof; the bottom plan view being identical thereto; and,

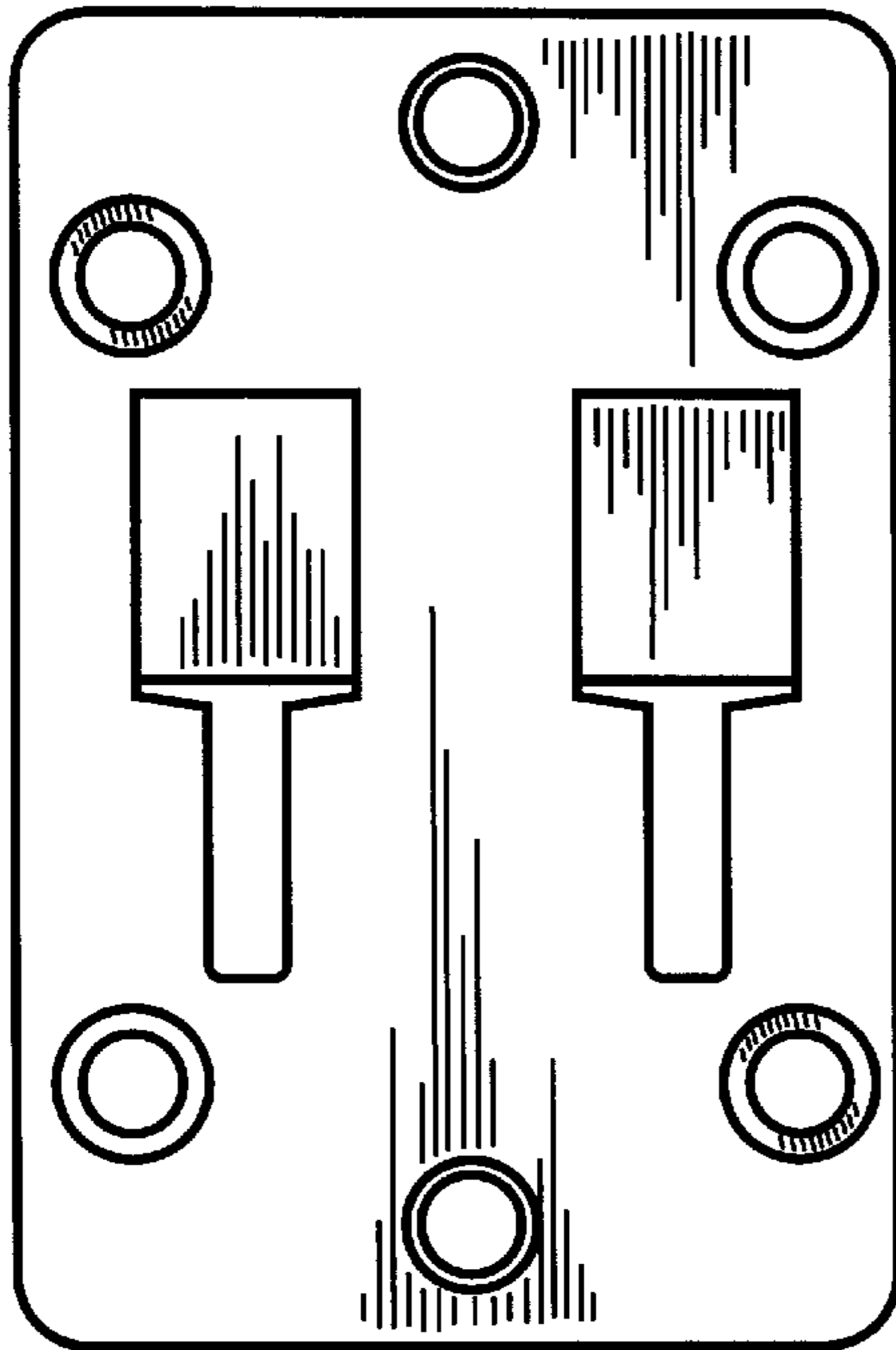
FIG. 6 is a perspective view of a second embodiment of a mounting plate showing my new design.

**1 Claim, 3 Drawing Sheets**

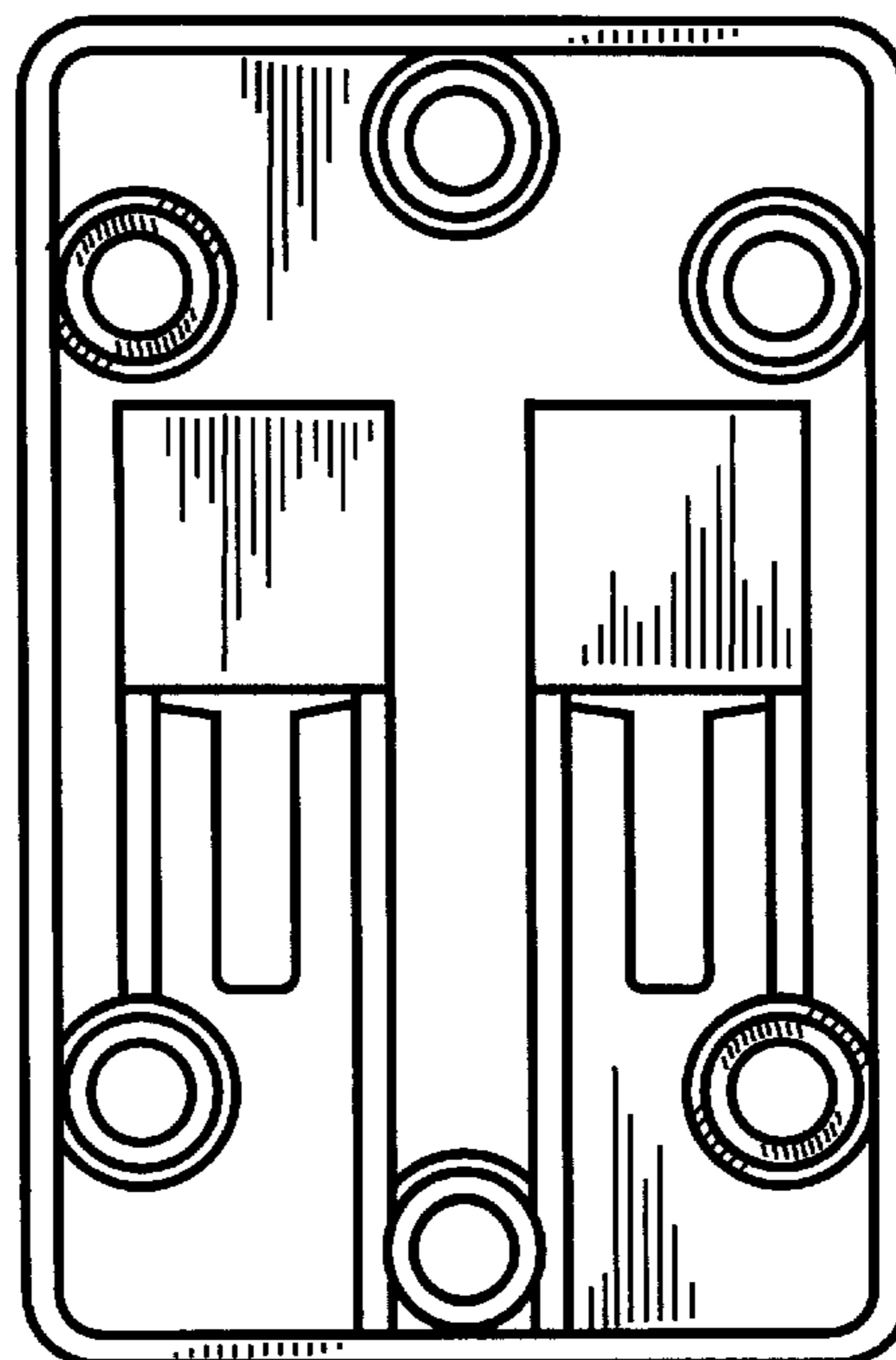




**Fig. 1**



**Fig. 2**



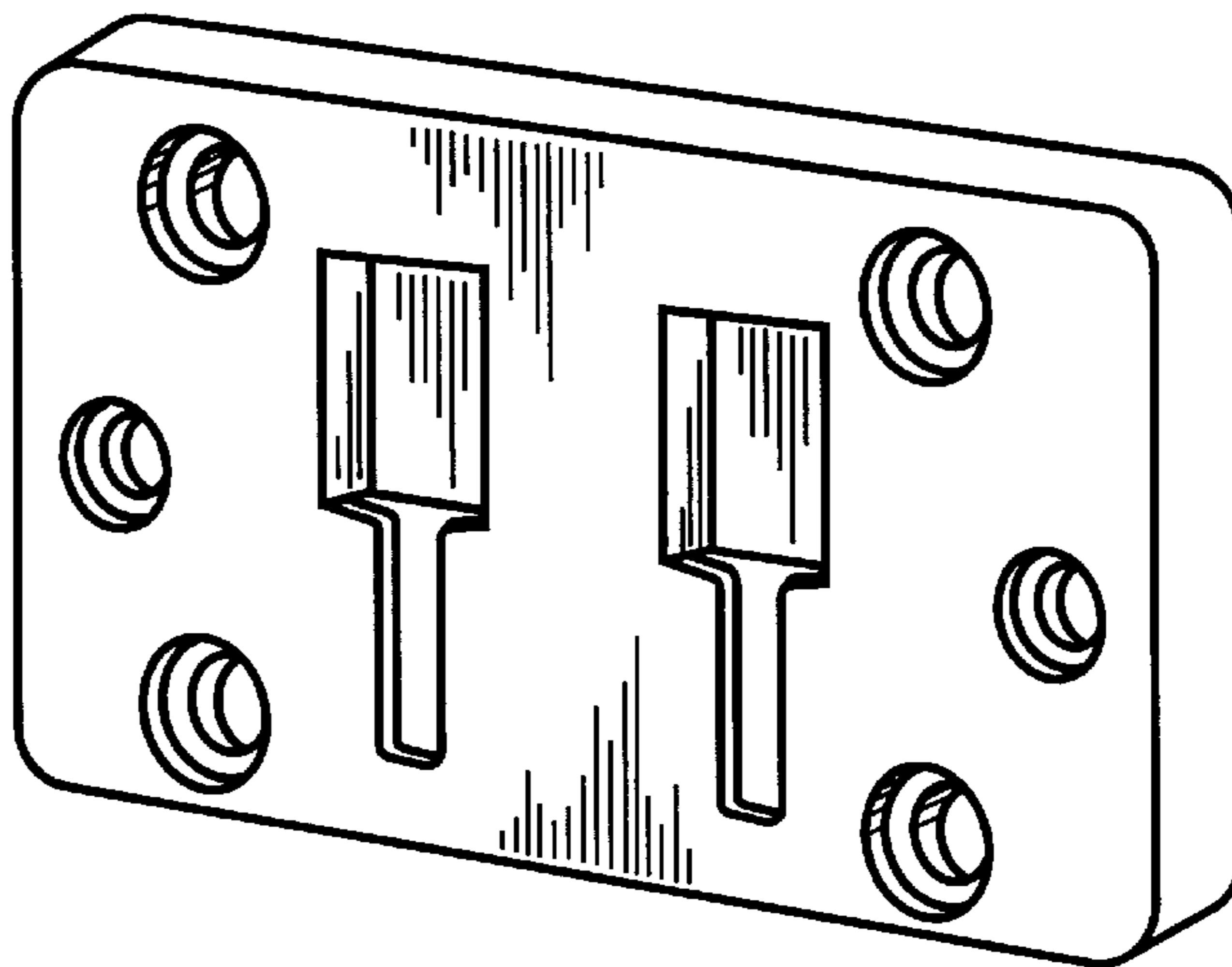
**Fig. 3**



**Fig. 4**



**Fig. 5**



**Fig. 6**