

US00D542622S

(12) **United States Design Patent**  
**Ricereto**

(10) **Patent No.:** **US D542,622 S**

(45) **Date of Patent:** **\*\* May 15, 2007**

(54) **KNOB**

(75) Inventor: **Michael Hart Ricereto**, Baltimore, MD (US)

(73) Assignee: **Newell Operating Company**, Atlanta, GA (US)

(\*\*) Term: **14 Years**

(21) Appl. No.: **29/258,357**

(22) Filed: **Apr. 20, 2006**

(51) **LOC (8) Cl.** ..... **08-06**

(52) **U.S. Cl.** ..... **D8/307**

(58) **Field of Classification Search** ..... D8/300,  
D8/301-309, 315, 350, 352, 393, DIG. 1,  
D8/DIG. 2; 16/110.1, 412-415, 441; 292/336.3,  
292/347; D23/250-252; D22/108  
See application file for complete search history.

D326,990 S 6/1992 Bishop  
D326,991 S 6/1992 Bishop  
D326,992 S 6/1992 Clayton  
D326,993 S 6/1992 Clayton  
D326,994 S 6/1992 Bishop  
D326,997 S 6/1992 Clayton  
D327,407 S 6/1992 Clayton  
D327,420 S 6/1992 Bishop  
D327,530 S \* 6/1992 Rawald ..... D23/250  
D355,834 S 2/1995 Chieda  
D355,835 S 2/1995 Chieda  
D355,837 S 2/1995 Chieda  
D355,838 S 2/1995 Chieda  
D355,839 S 2/1995 Chieda  
D356,724 S 3/1995 Chieda  
D357,168 S 4/1995 Chieda  
D361,491 S 8/1995 Chieda  
D361,492 S 8/1995 Chieda  
D361,493 S 8/1995 Chieda  
D361,496 S 8/1995 Chieda  
D361,498 S 8/1995 Chieda  
D361,707 S 8/1995 Chieda  
D366,998 S 2/1996 Hollingsworth

(56) **References Cited**

(Continued)

U.S. PATENT DOCUMENTS

D152,901 S \* 3/1949 Petersen ..... D8/307  
D203,148 S \* 12/1965 Kaiser ..... D23/250  
D204,461 S \* 4/1966 Volker ..... D22/108  
D224,225 S \* 7/1972 Doman ..... D23/250  
D267,774 S 2/1983 Pittenger  
D267,926 S 2/1983 Pittenger  
D268,246 S 3/1983 Tegner  
D270,993 S 10/1983 Tegner  
D270,994 S 10/1983 Tegner  
D271,464 S 11/1983 Carlson  
D272,800 S 2/1984 Pawlow  
D274,035 S 5/1984 Pawlow  
D274,123 S 6/1984 Tegner  
D284,737 S 7/1986 Clayton  
D295,827 S 5/1988 Benjamin  
D296,073 S 6/1988 Rhoades  
D297,211 S 8/1988 Rhoades  
D300,505 S 4/1989 Palm, Jr. et al.  
D305,862 S 2/1990 Clayton  
D305,863 S 2/1990 Gresens et al.  
D312,381 S 11/1990 Clayton  
D326,219 S 5/1992 Clayton

*Primary Examiner*—Paula A. Greene  
(74) *Attorney, Agent, or Firm*—Banner & Witcoff, Ltd.

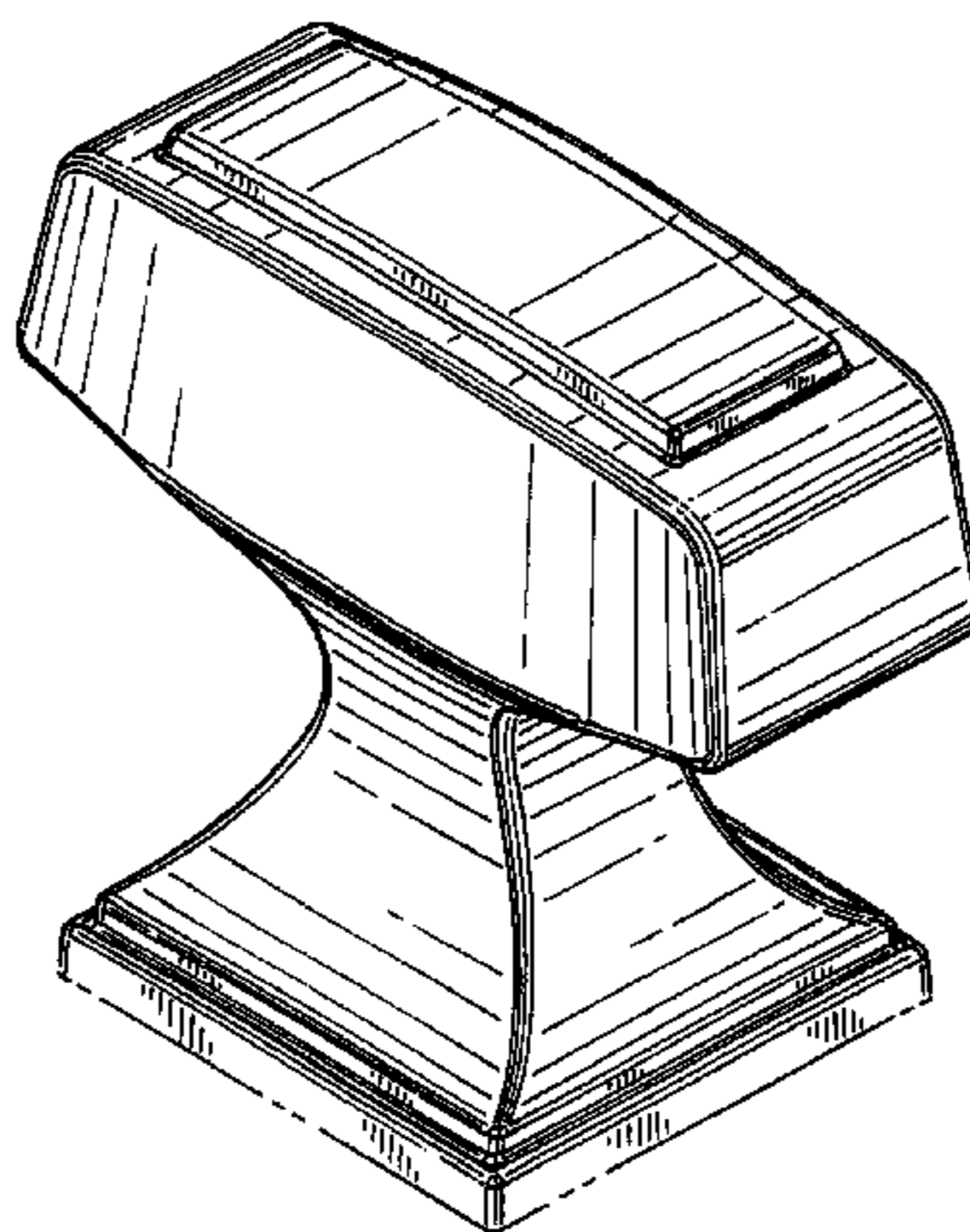
(57) **CLAIM**

We claim the ornamental design for a knob, as shown and described.

**DESCRIPTION**

FIG. 1 is an elevated perspective view of the knob of the present claimed design;  
FIG. 2 is a side view of the knob shown in FIG. 1, the opposite side being identical thereto;  
FIG. 3 is a top view of the knob shown in FIG. 1;  
FIG. 4 is a second side view of the knob shown in FIG. 1, the opposite side view being identical thereto; and,  
FIG. 5 is a bottom view of the knob shown in FIG. 1.  
Features shown in broken lines in the drawings are not part of the claim.

**1 Claim, 1 Drawing Sheet**



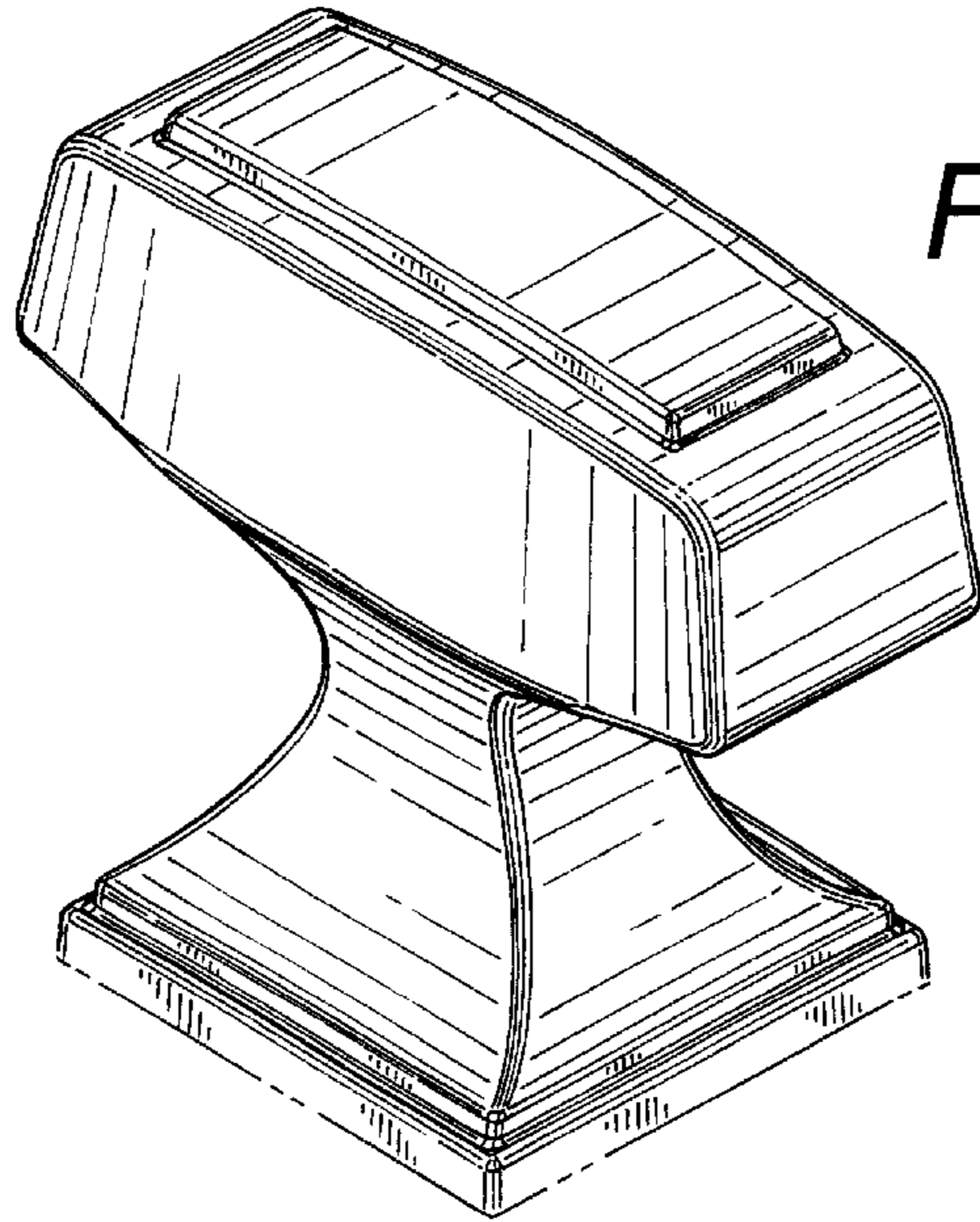
# US D542,622 S

Page 2

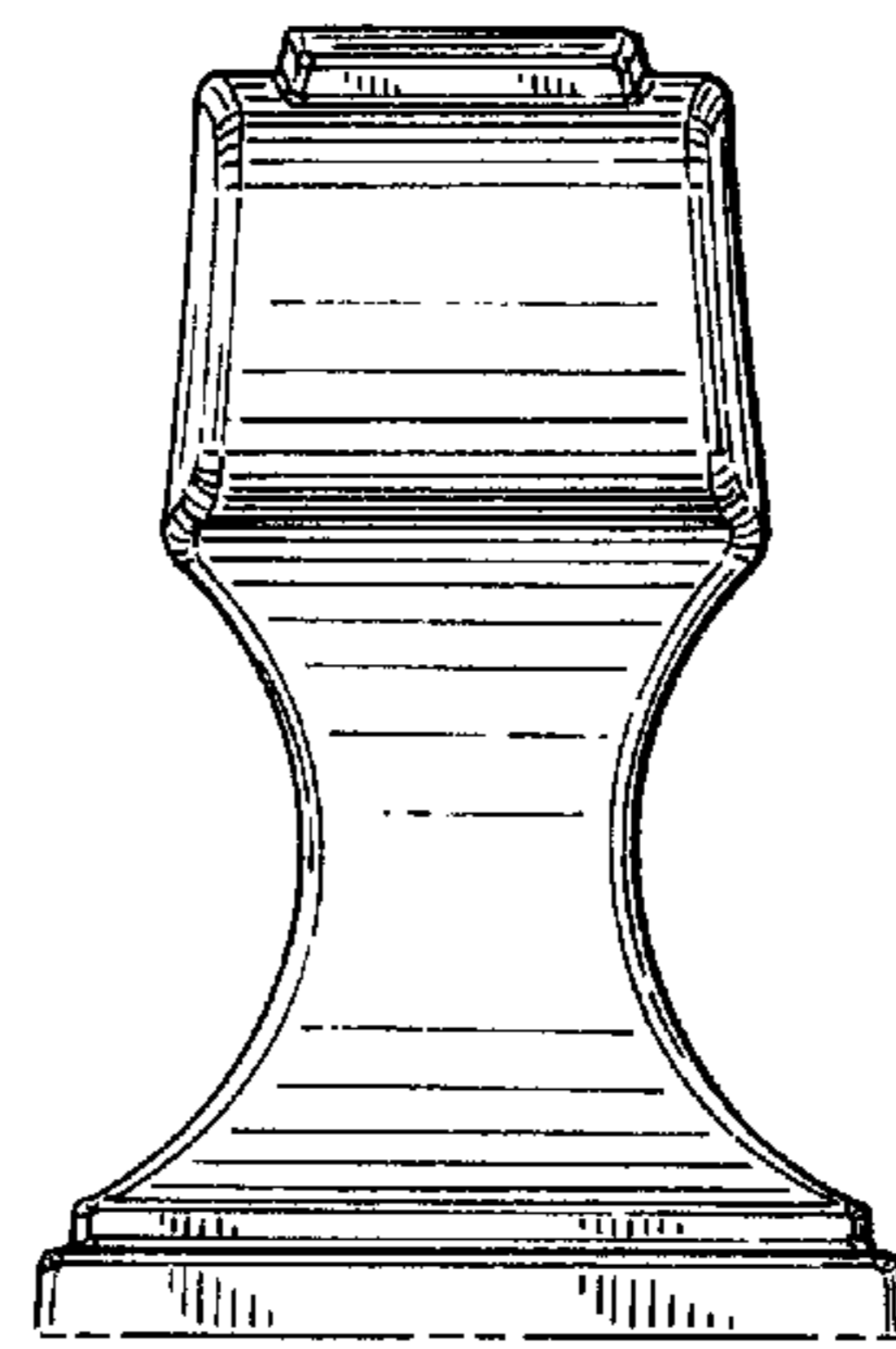
---

| U.S. PATENT DOCUMENTS |         |                         |            |         |              |
|-----------------------|---------|-------------------------|------------|---------|--------------|
|                       |         |                         | D399,723 S | 10/1998 | Burns et al. |
|                       |         |                         | D401,834 S | 12/1998 | Burns et al. |
| D367,217 S            | 2/1996  | Hollingsworth-Ainscough | D401,835 S | 12/1998 | Burns et al. |
| D367,417 S            | 2/1996  | Ainscough               | D403,571 S | 1/1999  | Burns et al. |
| D368,014 S            | 3/1996  | Ainscough               | D406,745 S | 3/1999  | Burns et al. |
| D368,638 S            | 4/1996  | Sonnenleiter            | D411,728 S | 6/1999  | O'Neil       |
| D368,639 S            | 4/1996  | Chieda                  | D411,793 S | 7/1999  | O'Neil       |
| D368,640 S            | 4/1996  | Sonnenleiter            | D411,794 S | 7/1999  | O'Neil       |
| D368,642 S            | 4/1996  | Chieda                  | D411,795 S | 7/1999  | O'Neil       |
| D368,643 S            | 4/1996  | Sonnenleiter            | D413,248 S | 8/1999  | O'Neil       |
| D368,644 S            | 4/1996  | Bishop                  | D414,100 S | 9/1999  | O'Neil       |
| D368,842 S            | 4/1996  | Sonnenleiter            | D415,405 S | 10/1999 | O'Neil       |
| D370,613 S            | 6/1996  | Ainscough               | D416,465 S | 11/1999 | O'Neil       |
| D370,614 S            | 6/1996  | Ainscough               | D418,387 S | 1/2000  | O'Neil       |
| D371,062 S            | 6/1996  | Ainscough               | D418,388 S | 1/2000  | O'Neil       |
| D372,414 S            | 8/1996  | De'Armond               | D418,389 S | 1/2000  | O'Neil       |
| D372,657 S            | 8/1996  | De'Armond               | D429,455 S | 8/2000  | Burns et al. |
| D372,659 S            | 8/1996  | De'Armond               | D429,991 S | 8/2000  | Short        |
| D373,065 S            | 8/1996  | De'Armond               | D431,442 S | 10/2000 | Short        |
| D373,066 S            | 8/1996  | De'Armond               | D431,444 S | 10/2000 | Short        |
| D373,067 S            | 8/1996  | De'Armond               | D431,445 S | 10/2000 | Short        |
| D374,390 S            | 10/1996 | De'Armond               | D431,996 S | 10/2000 | Short        |
| D377,655 S            | 1/1997  | Smith                   | D434,633 S | 12/2000 | Short        |
| D377,747 S            | 2/1997  | De'Armond               | D434,962 S | 12/2000 | Short        |
| D381,252 S            | 7/1997  | Chieda                  | D434,963 S | 12/2000 | Short        |
| D386,667 S            | 11/1997 | Smith                   | D435,424 S | 12/2000 | Short        |
| D396,179 S            | 7/1998  | Burns et al.            | D435,426 S | 12/2000 | Short        |
| D396,180 S            | 7/1998  | Burns et al.            | D437,202 S | 2/2001  | O'Neil       |
| D399,117 S            | 10/1998 | Burns et al.            |            |         |              |
| D399,407 S            | 10/1998 | Burns et al.            |            |         |              |

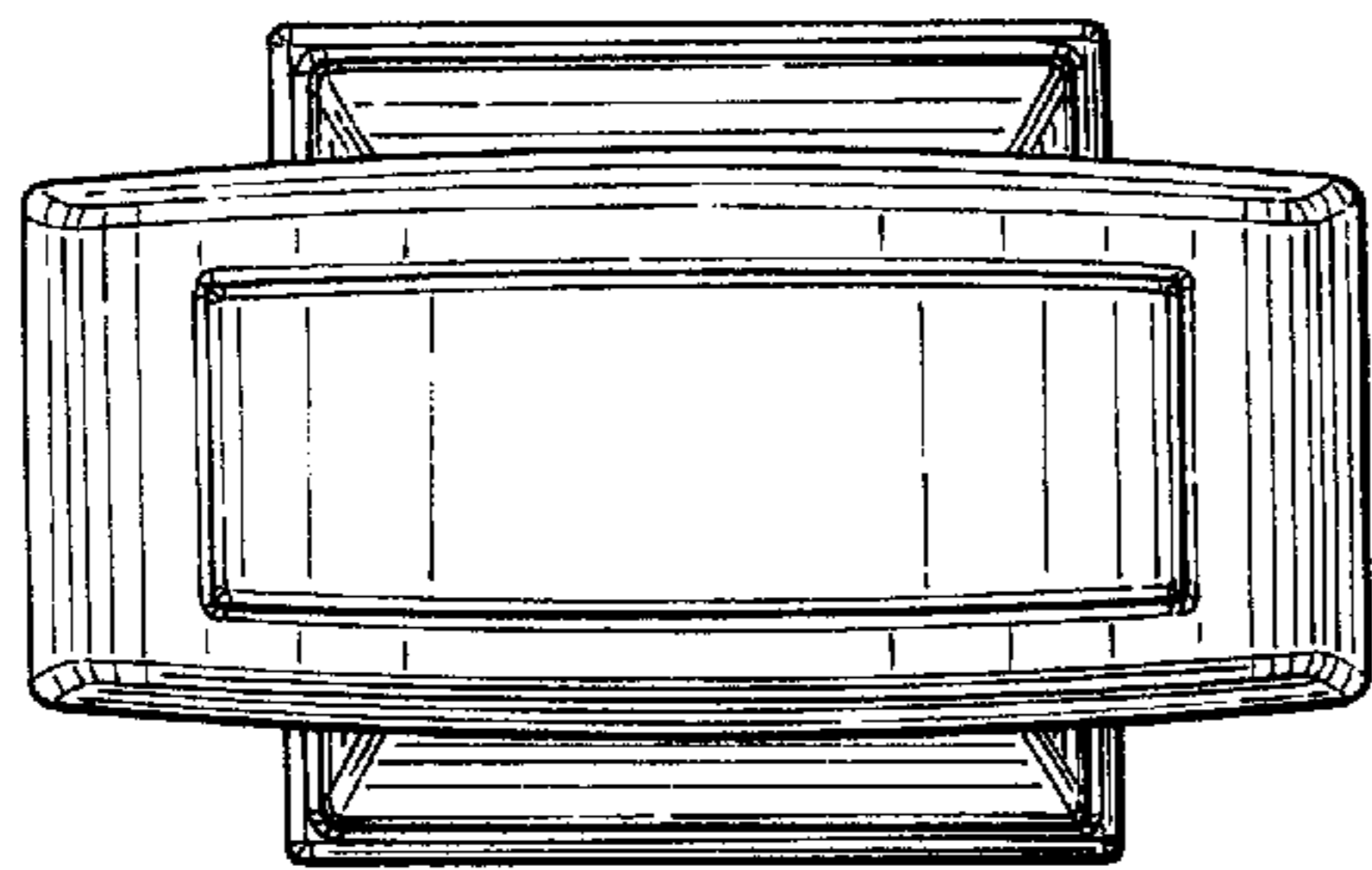
\* cited by examiner



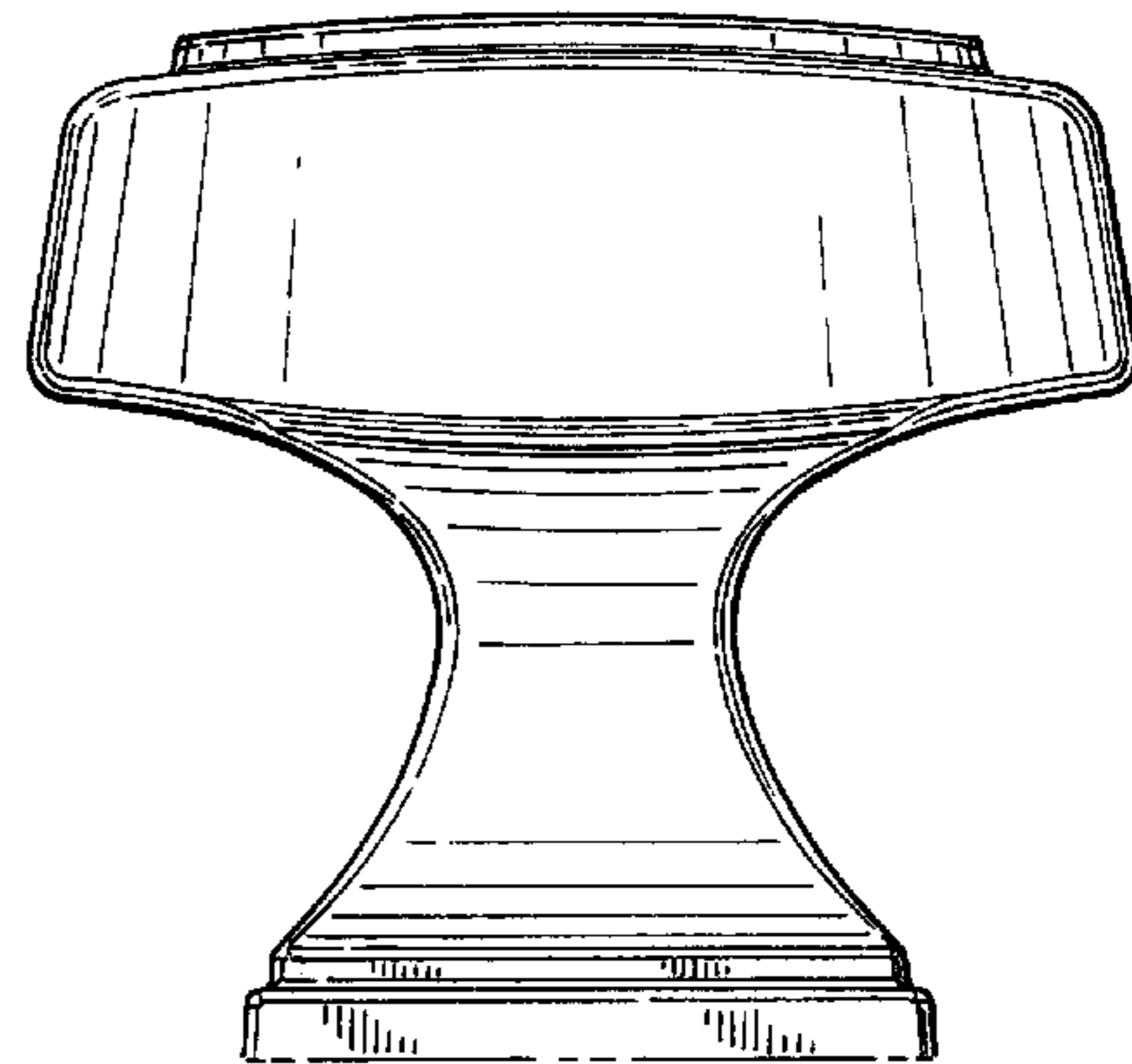
**FIG. 1**



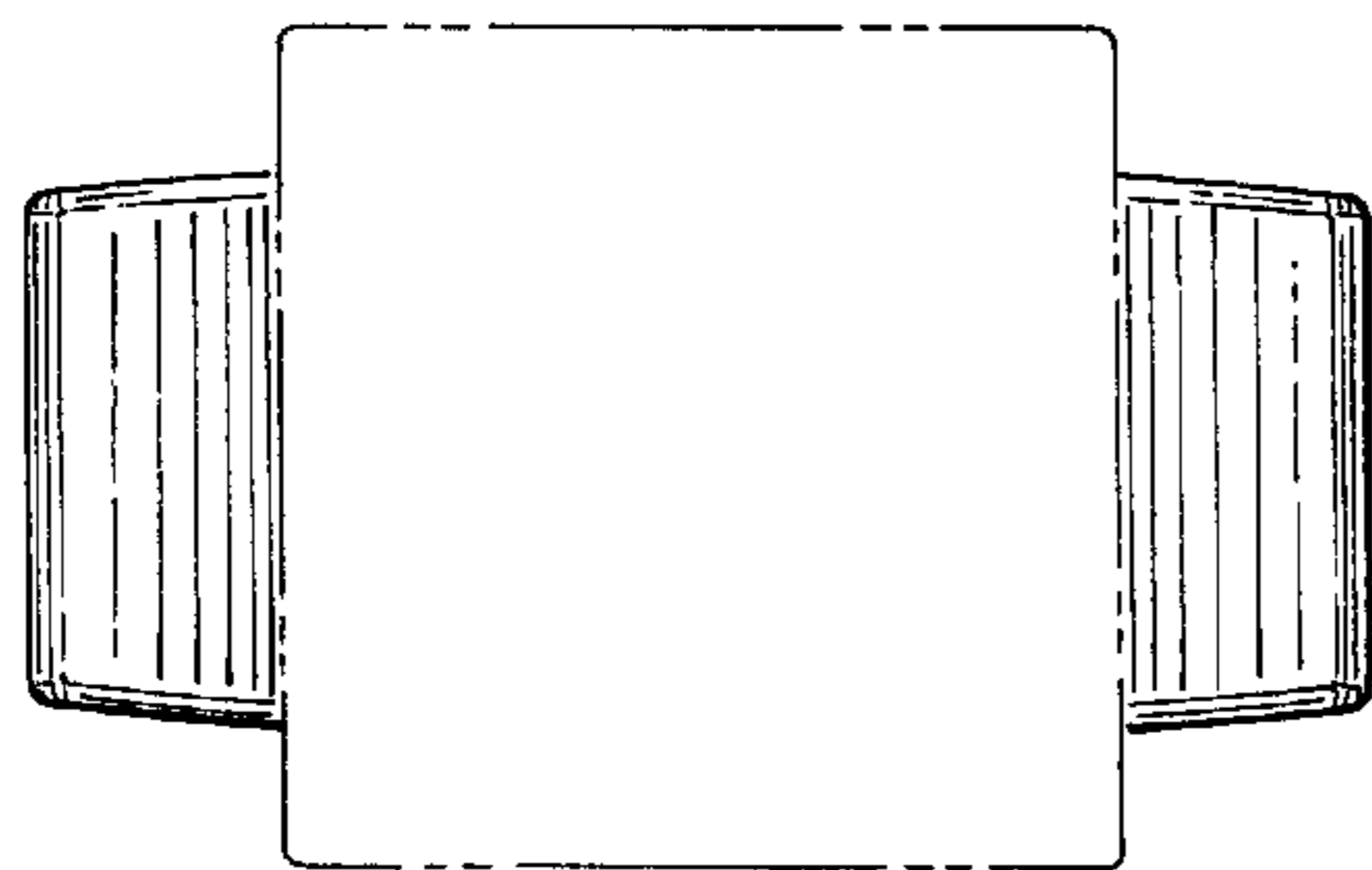
**FIG. 2**



**FIG. 3**



**FIG. 4**



**FIG. 5**