



US00D542621S

(12) **United States Design Patent**
Deng et al.

(10) **Patent No.:** **US D542,621 S**

(45) **Date of Patent:** **** May 15, 2007**

(54) **DOOR LOCK AND OPERATION MECHANISM**

(76) Inventors: **Sheng Bill Deng**, 3 Brook Rd., Unit 10, Salem, NH (US) 03079; **Sheng Yung Deng**, 4 Brook Rd., Unit 5, Salem, NH (US) 03079

(**) Term: **14 Years**

(21) Appl. No.: **29/215,922**

(22) Filed: **Oct. 27, 2004**

(51) **LOC (8) Cl.** **08-06**

(52) **U.S. Cl.** **D8/307**

(58) **Field of Classification Search** D8/300, D8/301, 308, 330, 383, 350; 70/149, 213, 70/218, 277, 278.1, 279.1, 299; 235/375, 235/380, 382, 382.5; 292/350; 340/5.53, 340/5.64, 5.22, 5.54, 542, 692

See application file for complete search history.

(56) **References Cited**

U.S. PATENT DOCUMENTS

3,187,528	A	*	6/1965	Check	70/299
5,083,122	A	*	1/1992	Clark	340/5.22
5,198,643	A	*	3/1993	Miron et al.	235/382
D351,982	S	*	11/1994	Chen	D8/330
5,475,996	A	*	12/1995	Chen	70/279.1

5,841,347	A	*	11/1998	Kim	340/542
5,923,264	A	*	7/1999	Lavelle et al.	340/5.64
D429,139	S	*	8/2000	Ahn	D8/301
6,145,353	A	*	11/2000	Doucet	70/277
6,374,652	B1	*	4/2002	Hwang	70/277
6,378,344	B1	*	4/2002	Gartner	70/278.1
D501,388	S	*	2/2005	Carpintero	D8/301

* cited by examiner

Primary Examiner—Paula A. Greene

(74) *Attorney, Agent, or Firm*—Davis & Bujold, P.L.L.C.

(57) **CLAIM**

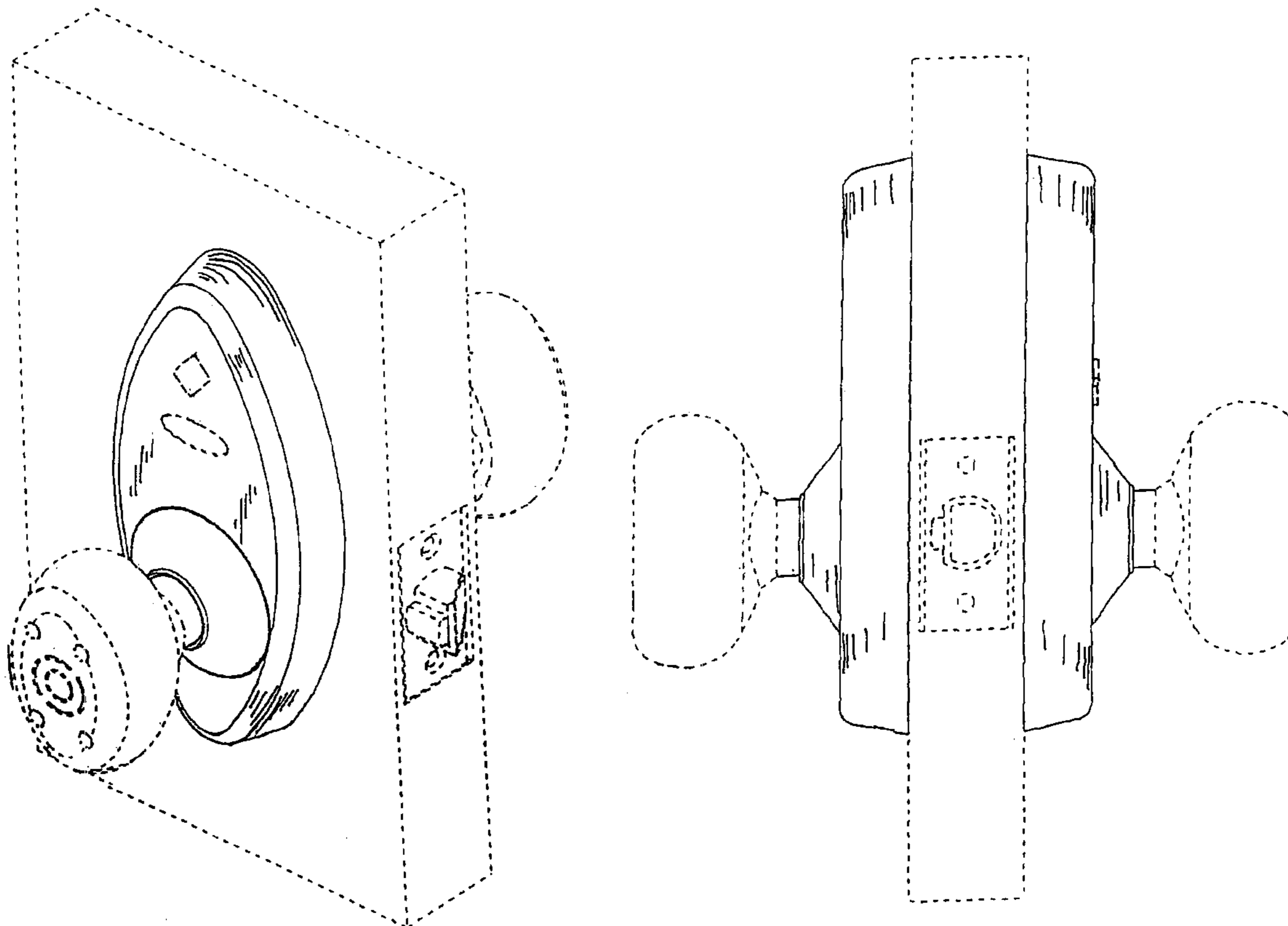
We claim the ornamental design for a door lock and operation mechanism, as shown and described.

DESCRIPTION

FIG. 1 is a front perspective view of a door lock operation mechanism showing our new design; FIG. 2 is a rear perspective view thereof; FIG. 3 is a front elevational view of FIG. 1; FIG. 4 is a front elevational view of FIG. 2; FIG. 5 is a top plan view thereof, the undisclosed bottom is not part of the claimed design; and, FIG. 6 is a side elevational view thereof, the opposite side is a mirror image.

The broken lines are included for the purposes of illustration and form no part of the claimed design.

1 Claim, 6 Drawing Sheets



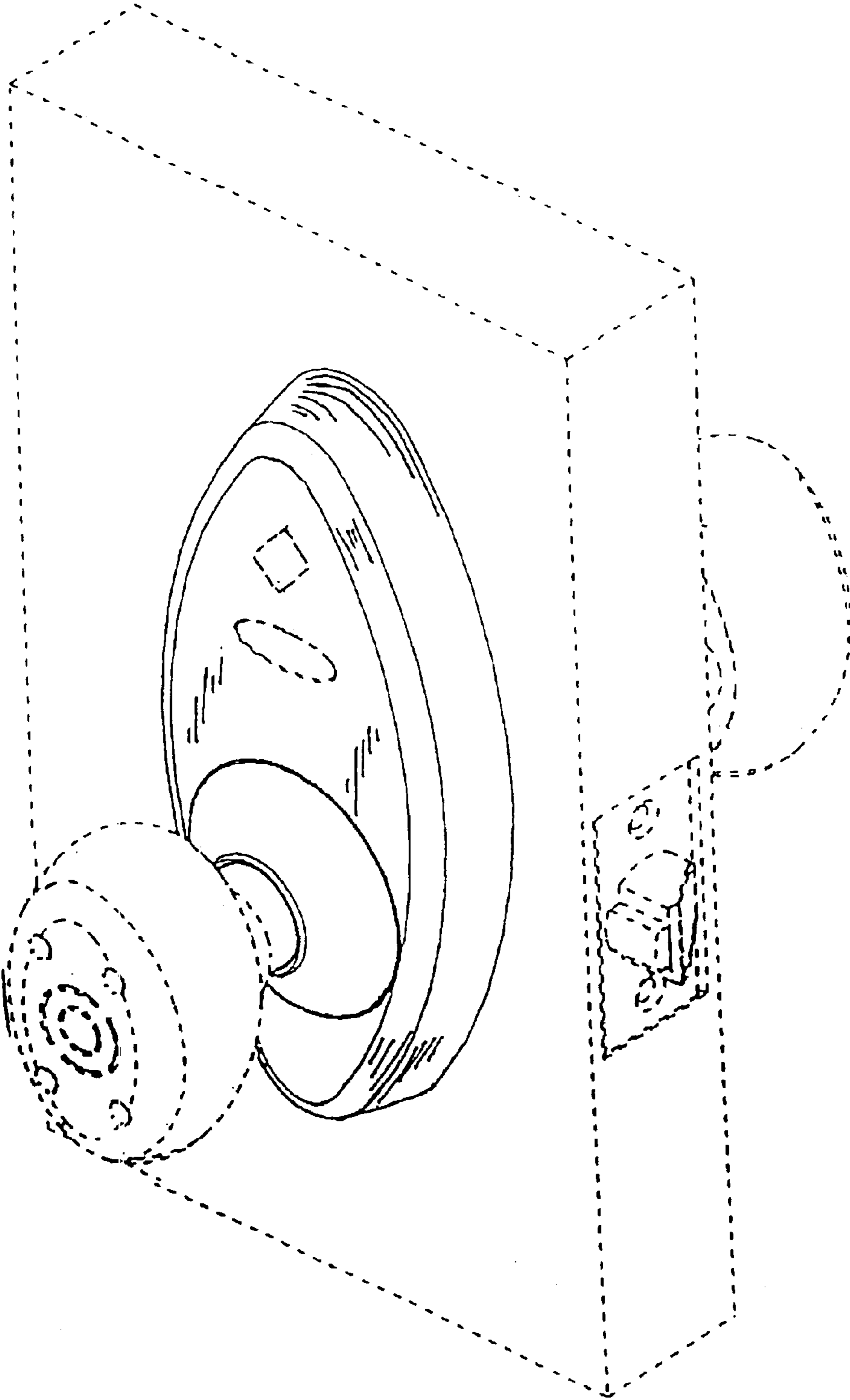


FIG. 1

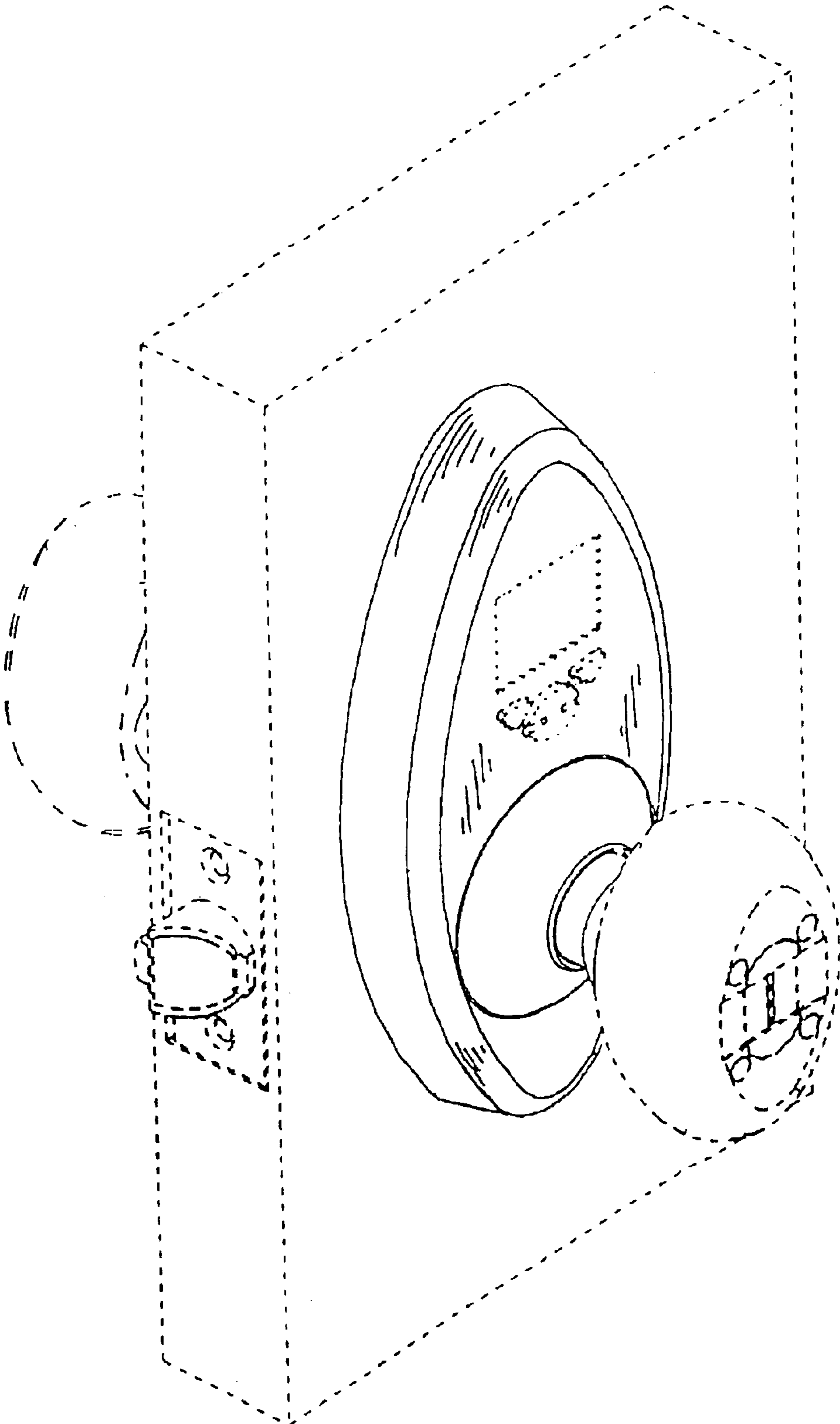


FIG. 2

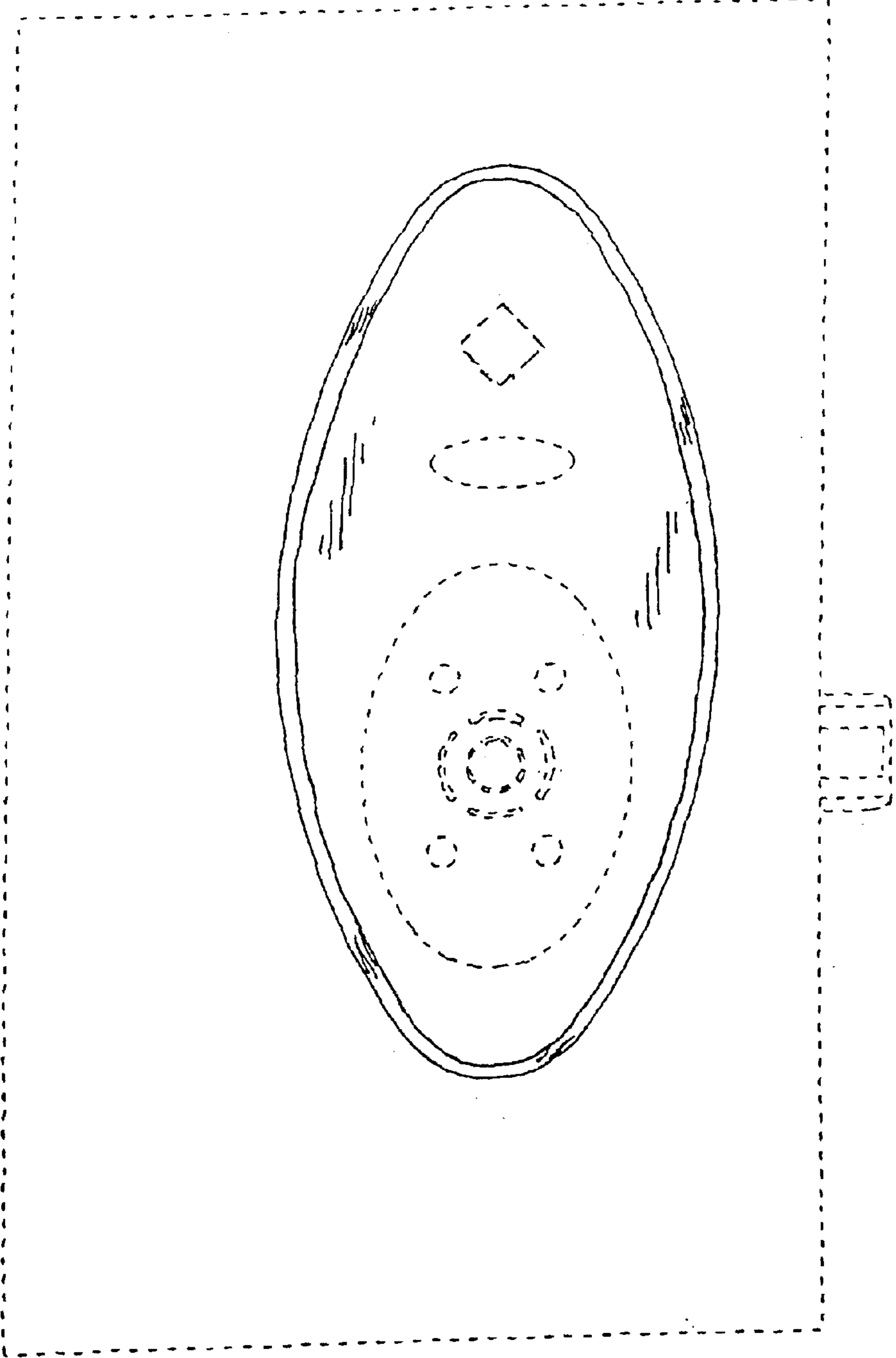


FIG. 3

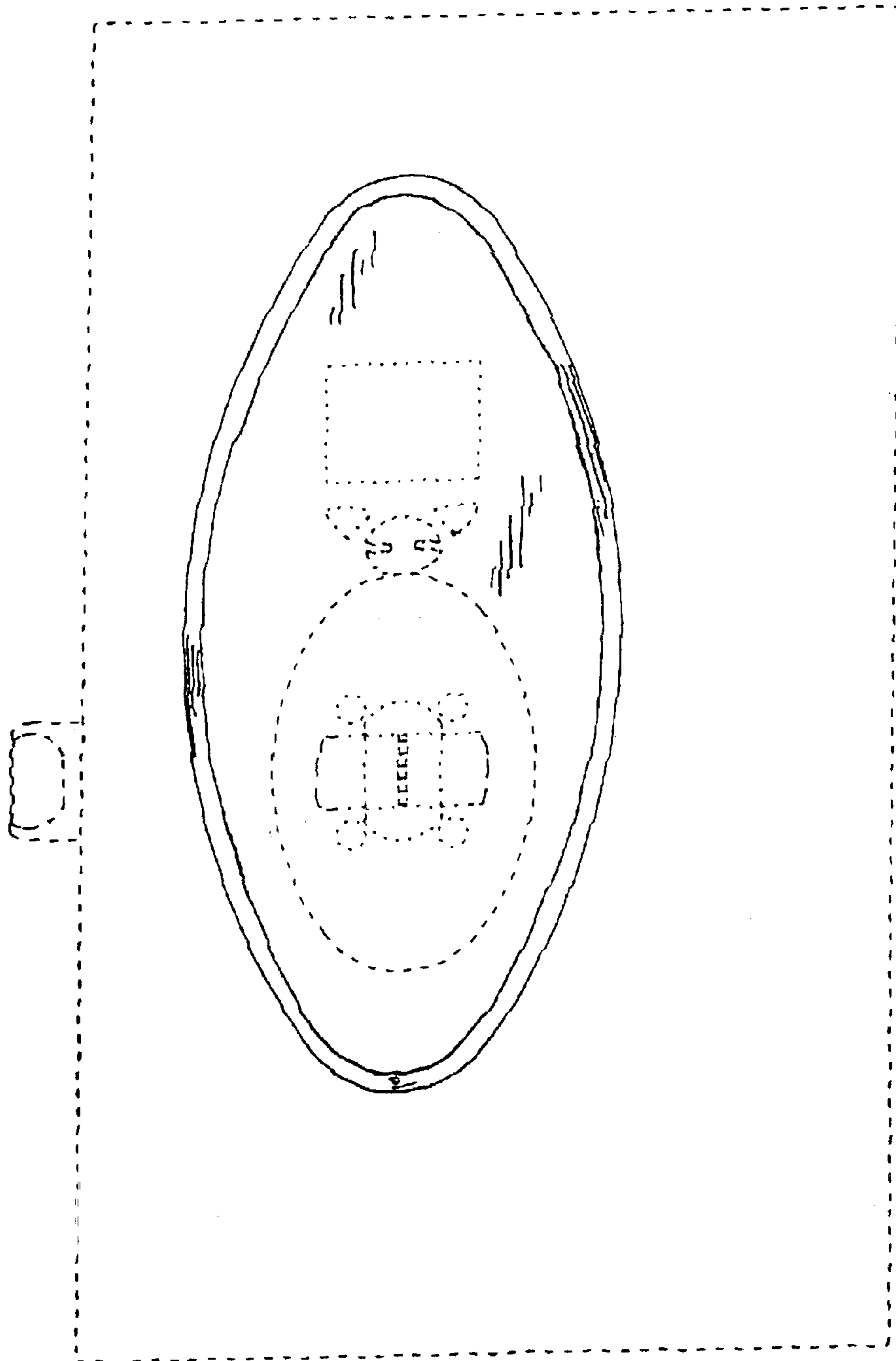


FIG. 4.

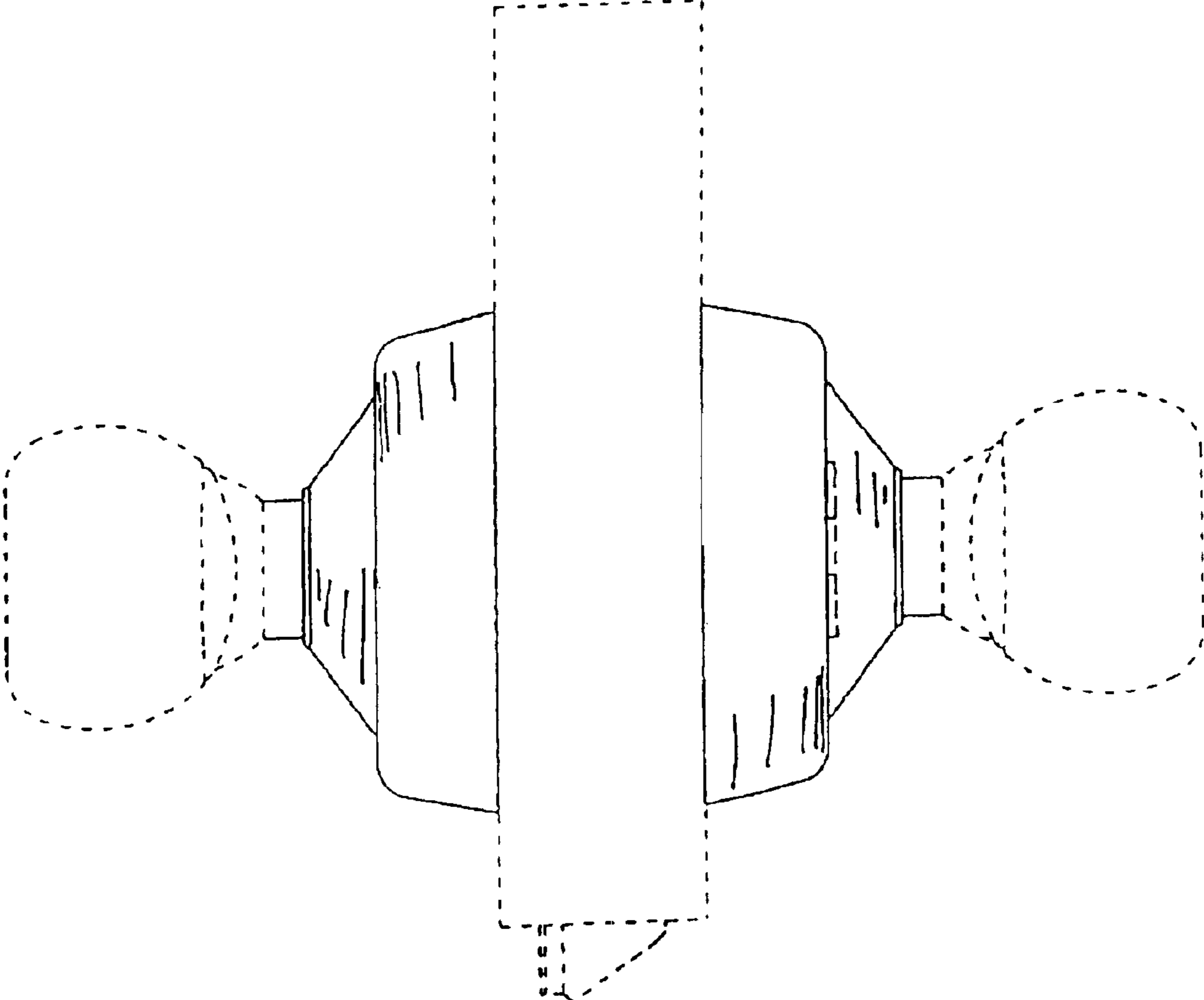


FIG. 5

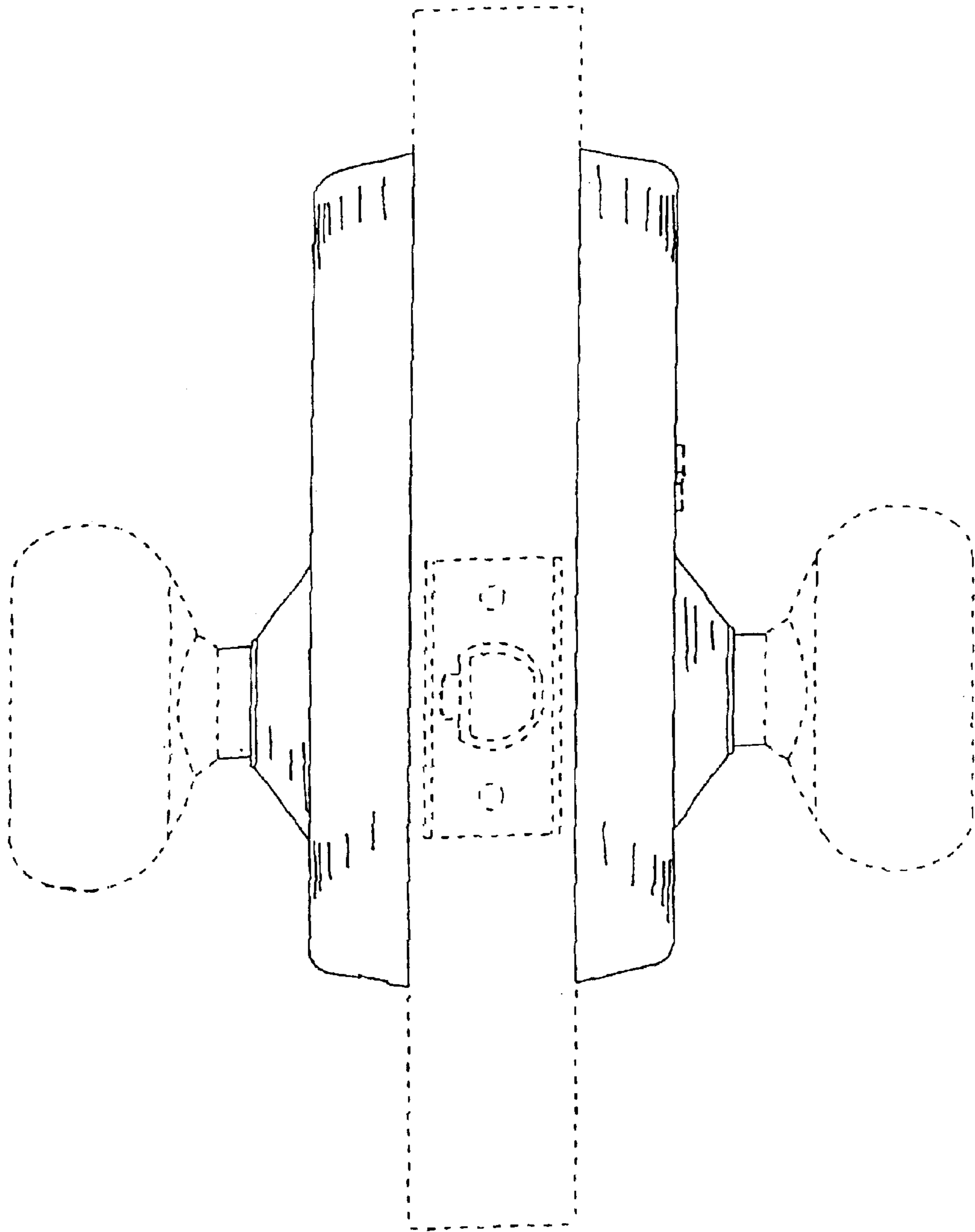


FIG. 6