



US00D542618S

(12) **United States Design Patent** (10) **Patent No.:** **US D542,618 S**
Miura et al. (45) **Date of Patent:** **** May 15, 2007**

(54) **HANDLE FOR PNEUMATIC TOOL**

(75) Inventors: **Atsushi Miura**, Tokyo (JP); **Takashi Nakajoh**, Tokyo (JP)

(73) Assignee: **Nitto Kohki Co., Ltd.**, Tokyo (JP)

(**) Term: **14 Years**

(21) Appl. No.: **29/234,252**

(22) Filed: **Jul. 15, 2005**

(30) **Foreign Application Priority Data**

Jan. 28, 2005 (JP) 2005-002223

(51) **LOC (8) Cl.** **08-05**

(52) **U.S. Cl.** **D8/107**

(58) **Field of Classification Search** D8/107,
D8/49, 61, 62, 63, 64, 65, 66, 67, 68, 69,
D8/70, 82, 83, 84, 85, 86, 87, 21, 27, 47,
D8/99, 100, 101, 303, DIG. 7; D7/393, 395,
D7/688, 693; 16/430, 11 R, 111 R; 30/388;
81/52, 54, 55, 57.11, 57.13, 57.14, 57.33,
81/57.42, 73, 177.4, 436, 437, 439, 440,
81/489, 177.1, 177.8, 177.85, 409, 429; 173/13,
173/15, 19, 47, 48, 81, 93, 93.5, 93.6, 94,
173/104, 109, 168, 169, 170, 171, 176, 178,
173/180

See application file for complete search history.

(56) **References Cited**

U.S. PATENT DOCUMENTS

2,508,997 A * 5/1950 Fitch 173/93.5
4,098,351 A * 7/1978 Alessio 173/13
D322,384 S * 12/1991 Wan D8/68
D428,787 S * 8/2000 Smolinski et al. D8/70
6,149,356 A 11/2000 Chu et al.
6,155,354 A * 12/2000 Pusateri et al. 173/170
6,308,378 B1 10/2001 Mooty et al.
D458,824 S * 6/2002 Chen D8/68
D459,177 S 6/2002 Chen
D465,982 S 11/2002 Taga
D496,239 S * 9/2004 Levine et al. D8/30
6,814,154 B2 * 11/2004 Chou 173/93
D524,135 S * 7/2006 Happ et al. D8/68
D532,666 S * 11/2006 Chi D8/68
D532,667 S * 11/2006 Tsai et al. D8/68
2003/0183401 A1 * 10/2003 Pusateri et al. 173/170

OTHER PUBLICATIONS

Product Catalog "General Catalogue" from Shinano Inc., Air Drills, p. 9, 2002.

Product Catalog "Air Tools" from Kabushiki Kaisha Kuken, Air Drills, p. 6, 2002.

Product Catalog "automotive air tools" from TOKU, Drills, pp. 17-18, 1998.

Product Catalog "VESSEL" from VESSEL, Air Tools, p. 89, 2001.

Product Catalog "Fuji" from Fuji Air Tools, Small Drills, p. 17, publication date unknown.

Product Catalog "URYU" from URYU, Drills & Tappers, pp. 36-37, publication date unknown.

Product Catalog "SP Air" from SP Air, Drills, p. 5, publication date unknown.

Product Catalog "Pneumatic Tools" from yokota FA System & Air Tools, Drills, p. 30, publication date unknown.

* cited by examiner

Primary Examiner—Alan P. Douglas

Assistant Examiner—Barbara Fox

(74) *Attorney, Agent, or Firm*—Brinks Hofer Gilson & Lione

(57) **CLAIM**

We claim the ornamental design for a handle for pneumatic tool, as shown and described.

DESCRIPTION

FIG. 1 is a top perspective view of a handle for pneumatic tool of the present invention;

FIG. 2 is a first side view thereof;

FIG. 3 is a second side view thereof;

FIG. 4 is a third side view thereof;

FIG. 5 is a fourth side view thereof;

FIG. 6 is a top view thereof; and,

FIG. 7 is a bottom view thereof.

The ornamental design which is claimed is shown in solid lines in the drawings. Any broken lines in the drawings are for illustrative purposes only and form no part of the claimed design.

1 Claim, 6 Drawing Sheets

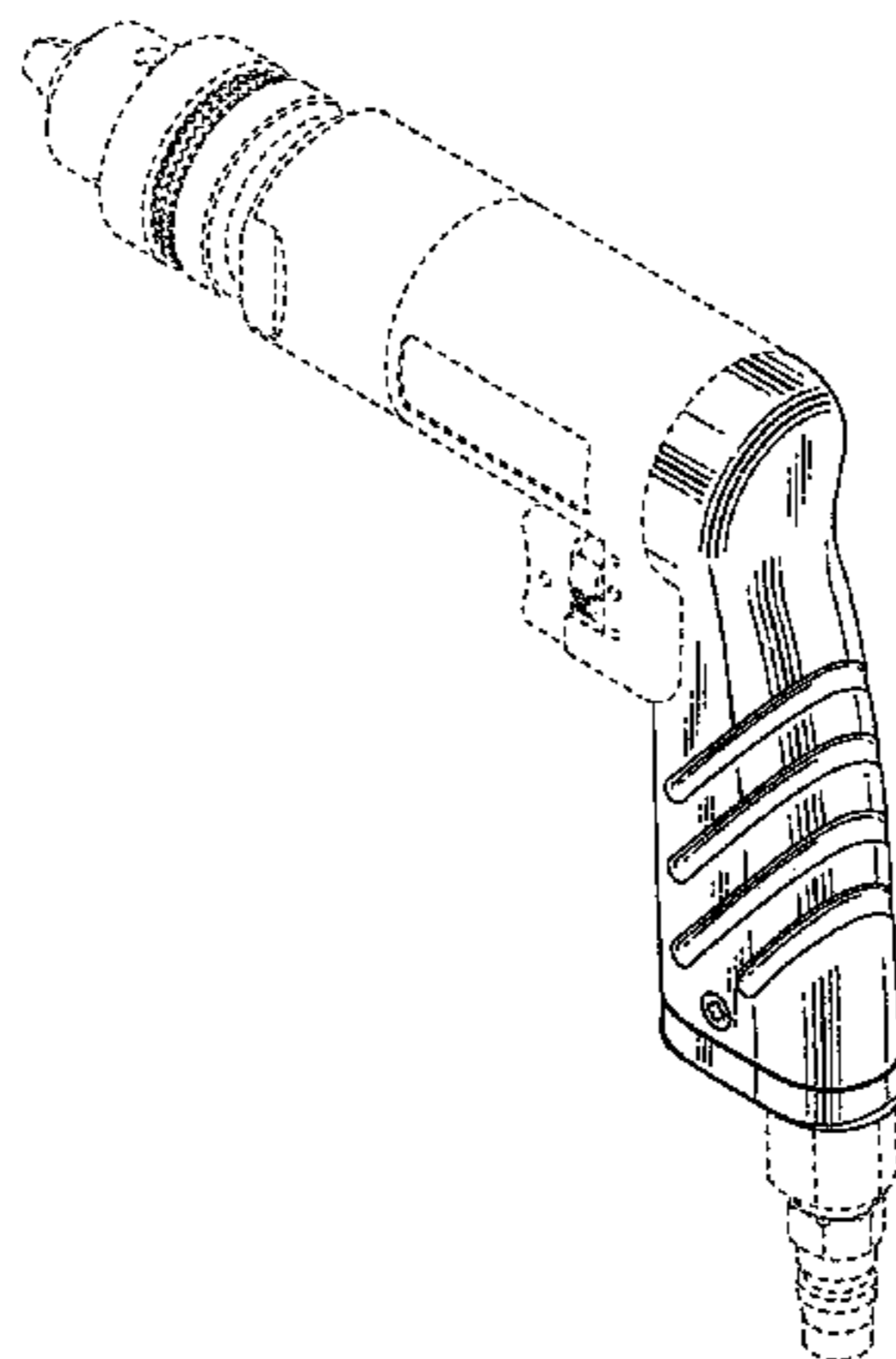


Fig.1

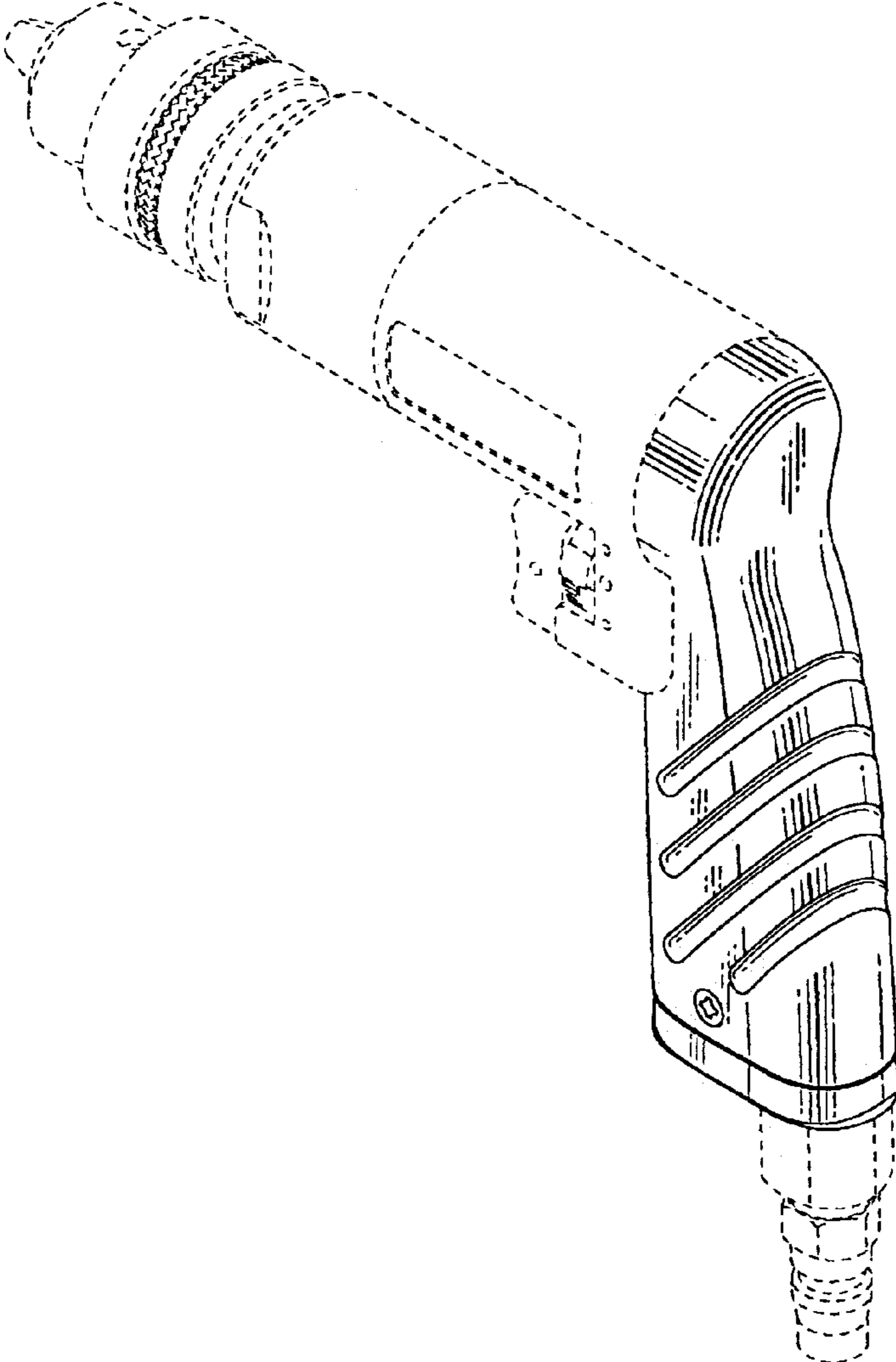


Fig.2

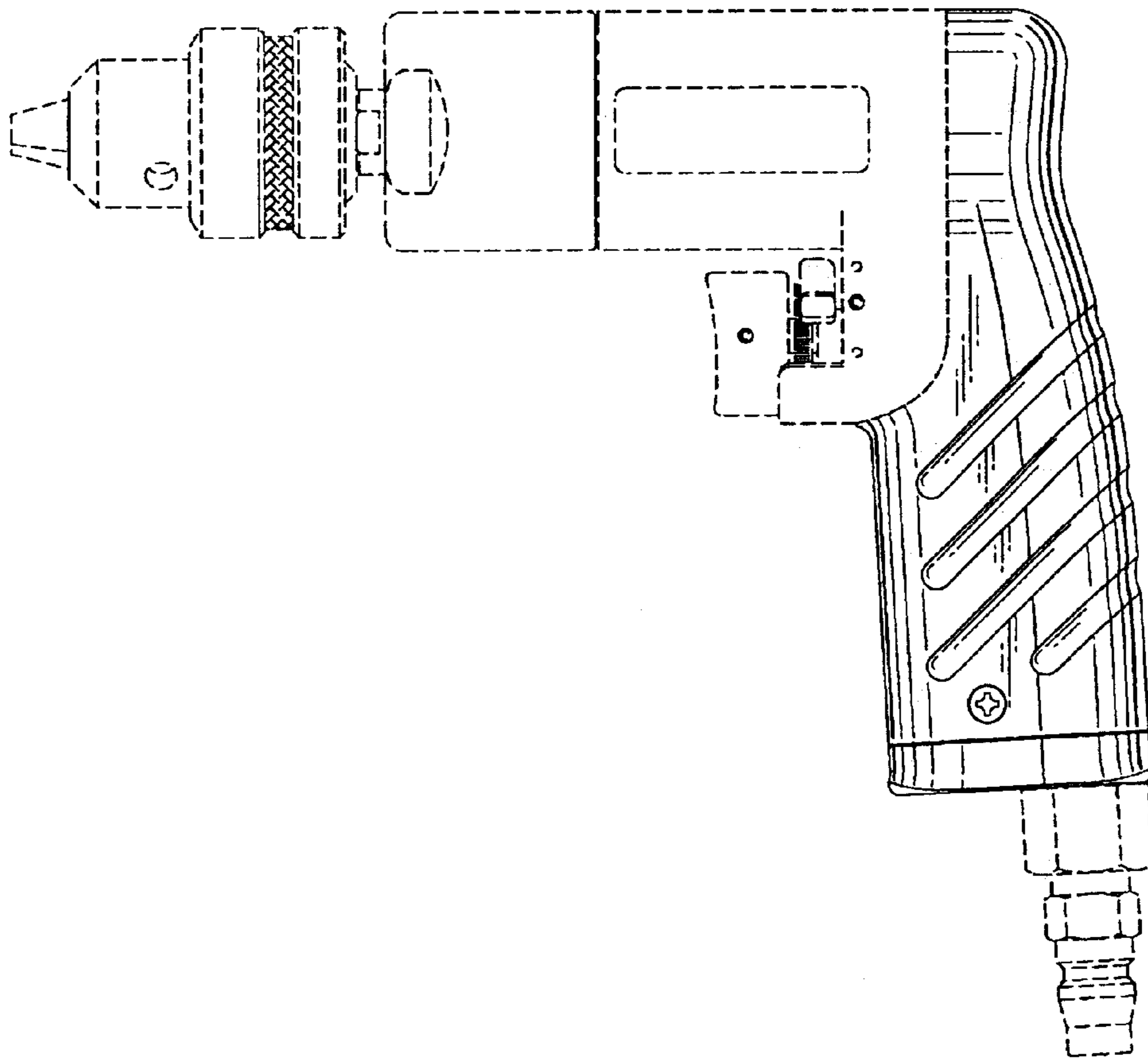


Fig.3

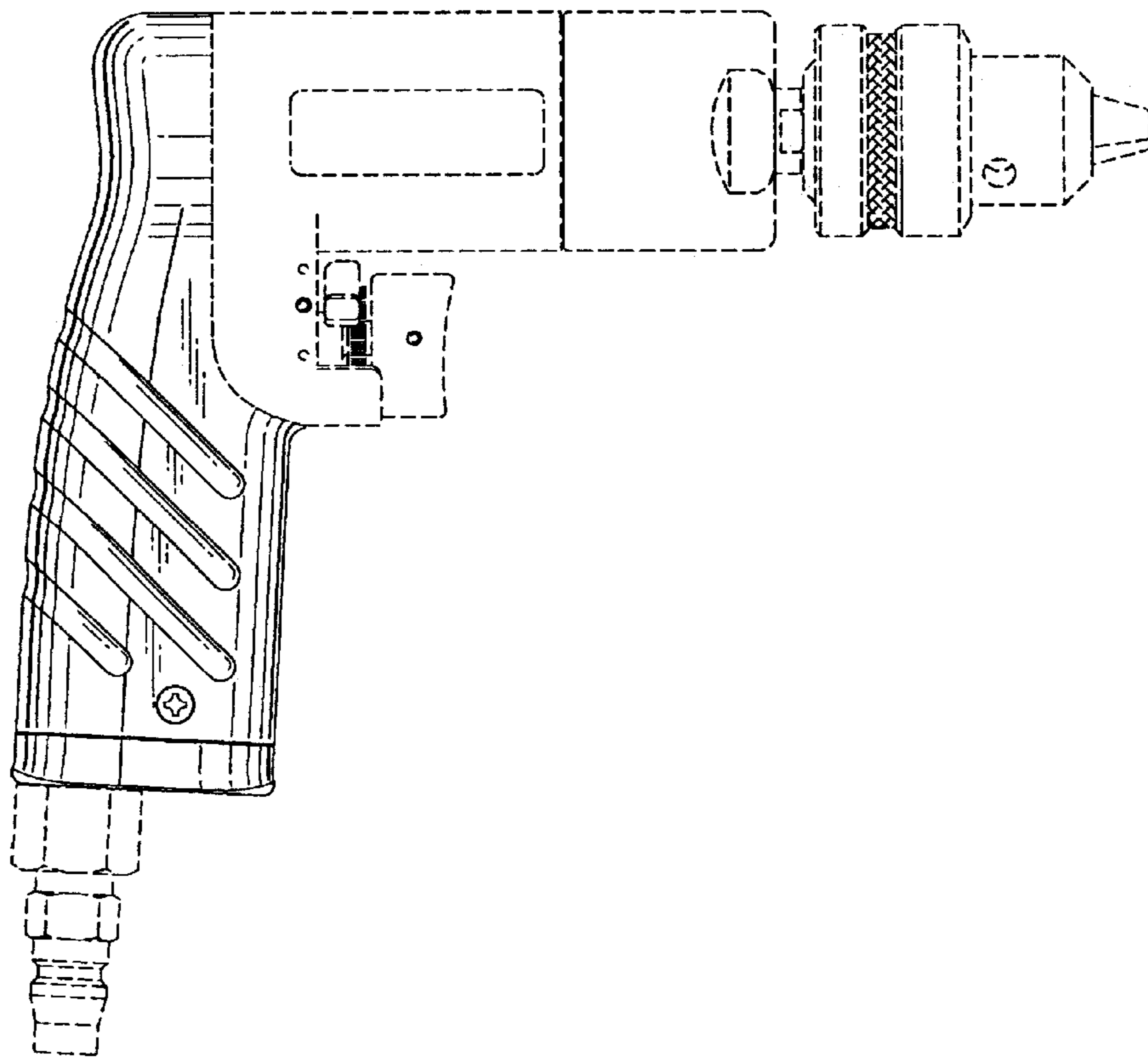


Fig.4

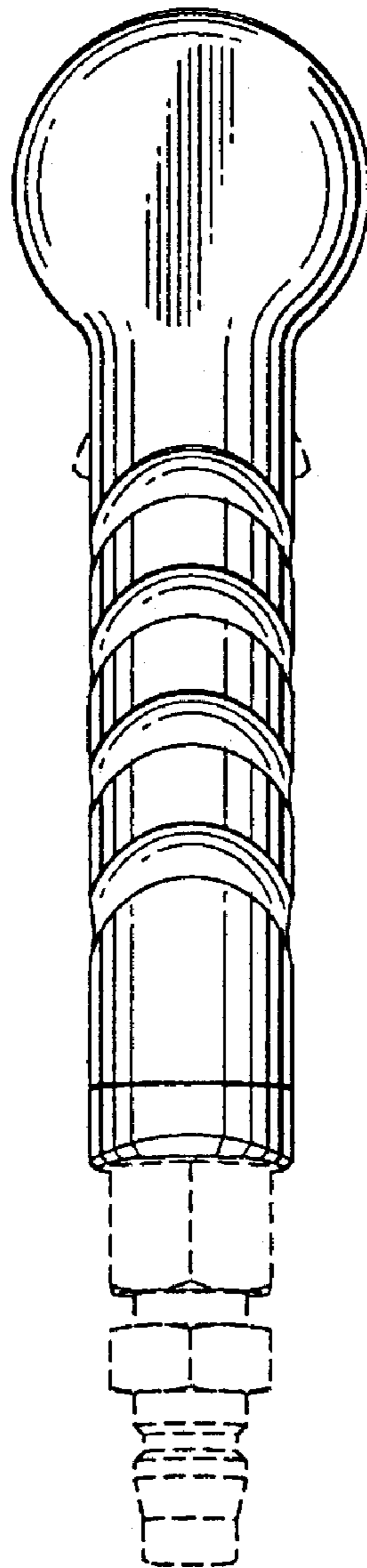


Fig.5

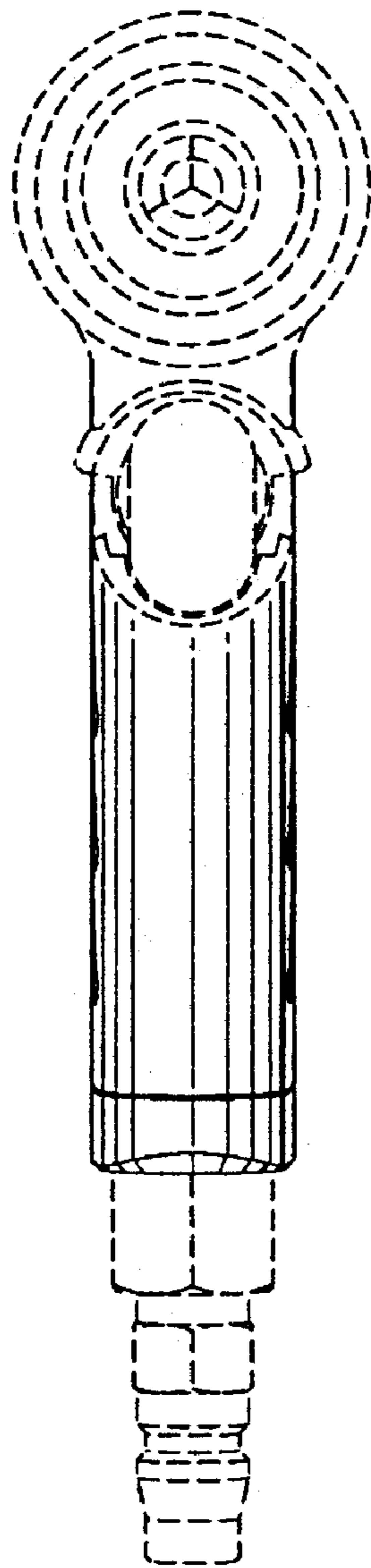


Fig.6

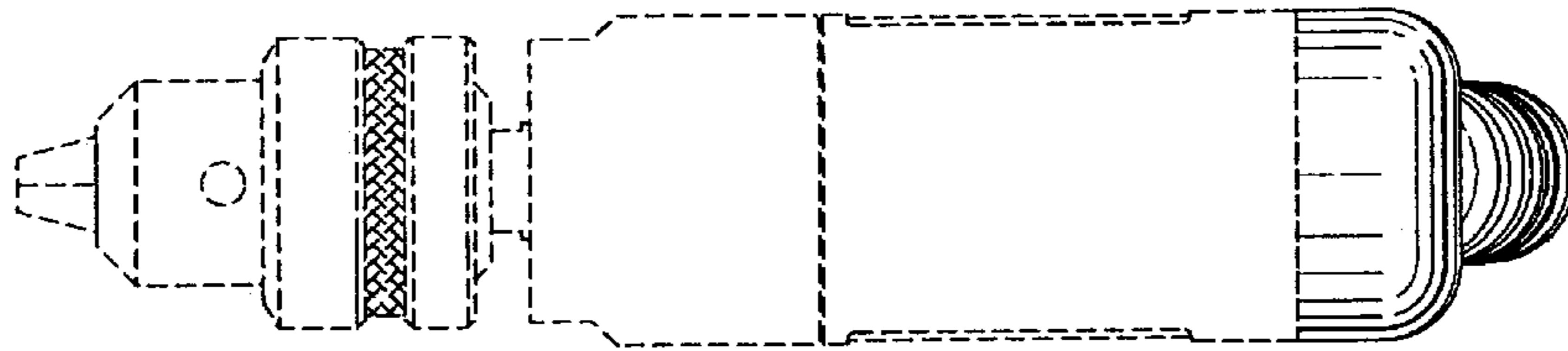


Fig.7

