

US00D542617S

(12) **United States Design Patent**
Liu

(10) **Patent No.:** **US D542,617 S**

(45) **Date of Patent:** **** May 15, 2007**

(54) **TOOL**

(75) **Inventor:** **Hsi Pei Liu, Ta-Li (TW)**

(73) **Assignee:** **Chewren Industry Co., Ltd, Taichung Hsien (TW)**

(**) **Term:** **14 Years**

(21) **Appl. No.:** **29/246,237**

(22) **Filed:** **Mar. 24, 2006**

(51) **LOC (8) Cl.** **08-05**

(52) **U.S. Cl.** **D8/105**

(58) **Field of Classification Search** D8/99,
D8/98, 357, 356, 105, 22; 81/417, 426, 440,
81/177.4; 7/138, 139, 165, 158, 100, 118;
362/109; 206/375

See application file for complete search history.

(56) **References Cited**

U.S. PATENT DOCUMENTS

D168,900	S	*	2/1953	Lutsker	D8/22
2,804,970	A	*	9/1957	Kuc et al.	206/375
4,908,947	A	*	3/1990	Schaub	30/155
D332,384	S	*	1/1993	Dague	D8/105
D342,433	S	*	12/1993	Sorenson	D8/107
5,271,300	A	*	12/1993	Zurbuchen et al.	81/124.4
5,450,774	A	*	9/1995	Chang	81/440
D364,327	S	*	11/1995	Graham	D8/105
D382,190	S	*	8/1997	Blackston et al.	D8/107
D383,048	S	*	9/1997	Sorensen et al.	D8/107

5,711,194	A	*	1/1998	Anderson et al.	81/440
5,791,211	A	*	8/1998	Bondhus et al.	81/440
D427,875	S	*	7/2000	Chiu	D8/105
6,085,374	A	*	7/2000	Richey	7/118
6,092,444	A	*	7/2000	Hsiao	81/440
D437,541	S	*	2/2001	Hermansen et al.	D8/105
D470,738	S	*	2/2003	Kao	D8/105
6,601,481	B2	*	8/2003	Chuang	81/440
6,622,329	B2	*	9/2003	Ostor et al.	7/138
2002/0073490	A1	*	6/2002	Wu	7/138

* cited by examiner

Primary Examiner—Cathron C. Brooks

Assistant Examiner—Austin Murphy

(74) *Attorney, Agent, or Firm*—Banger Shia

(57) **CLAIM**

The ornamental design for a tool, as shown and described.

DESCRIPTION

FIG. 1 is a perspective view of a tool showing my new design;

FIG. 2 is a front elevational view thereof;

FIG. 3 is a rear elevational view thereof,

FIG. 4 is a left side elevational view thereof,

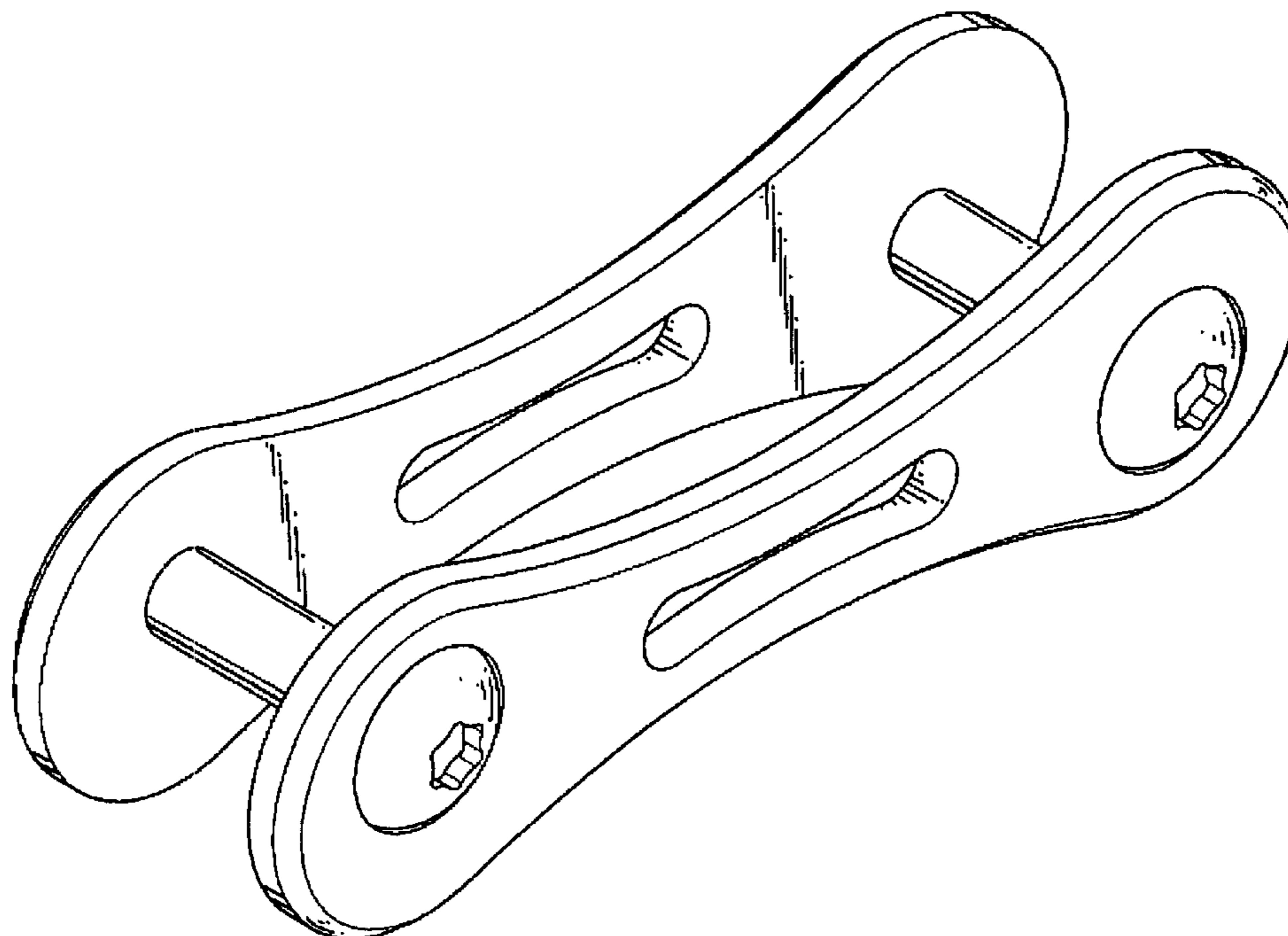
FIG. 5 is a right side elevational view thereof,

FIG. 6 is a top plan view thereof; and

FIG. 7 is a bottom plan view to that shown; and,

FIG. 8 is a perspective view of a tool, the broken lines shown are for illustrative purposes only and from no part of the claimed design.

1 Claim, 5 Drawing Sheets



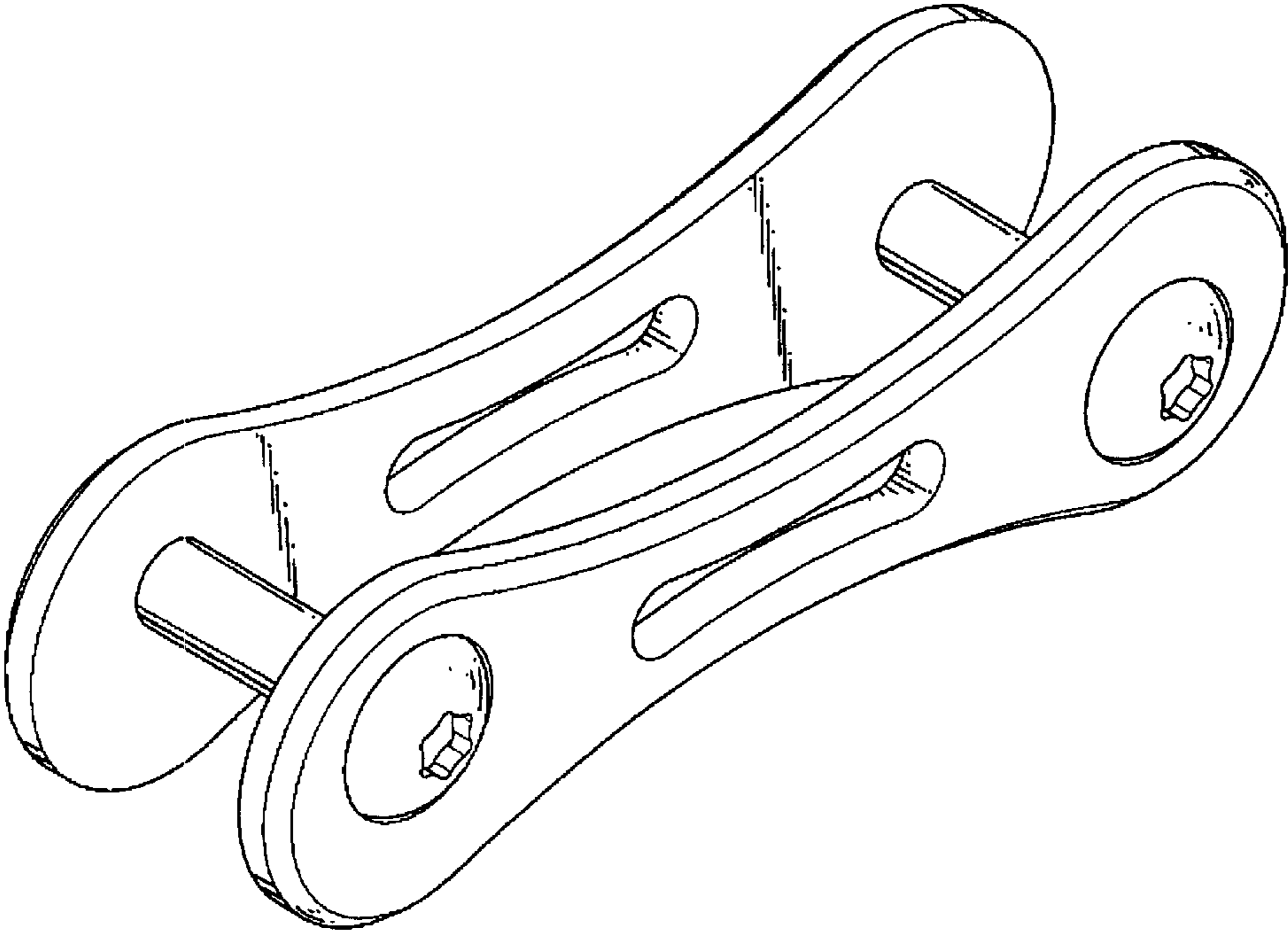


FIG. 1

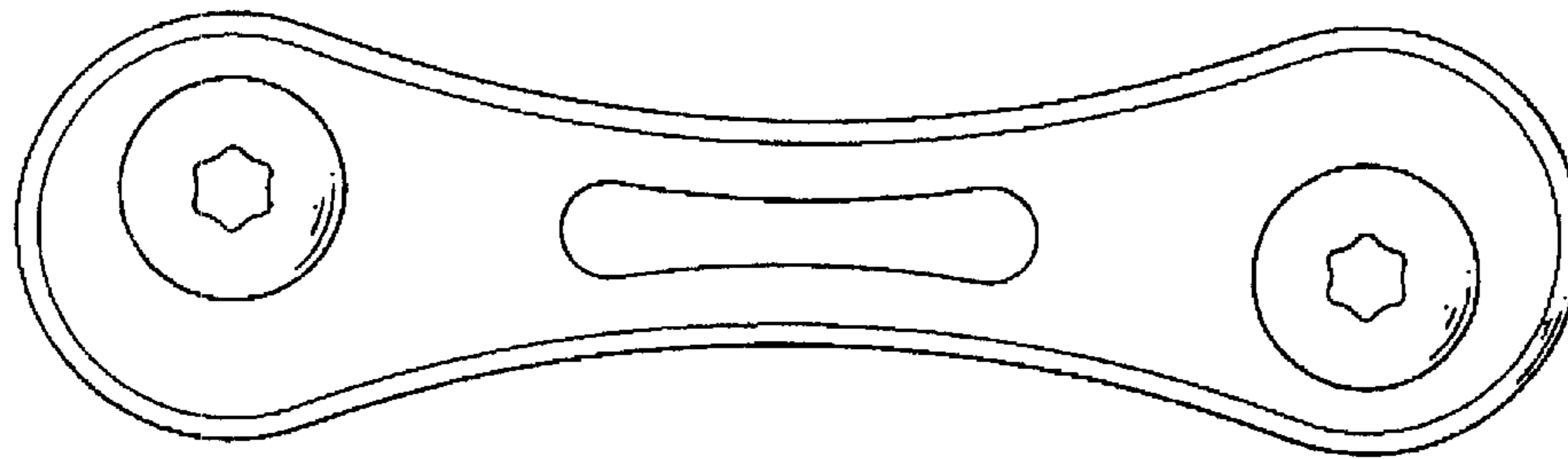


FIG. 2

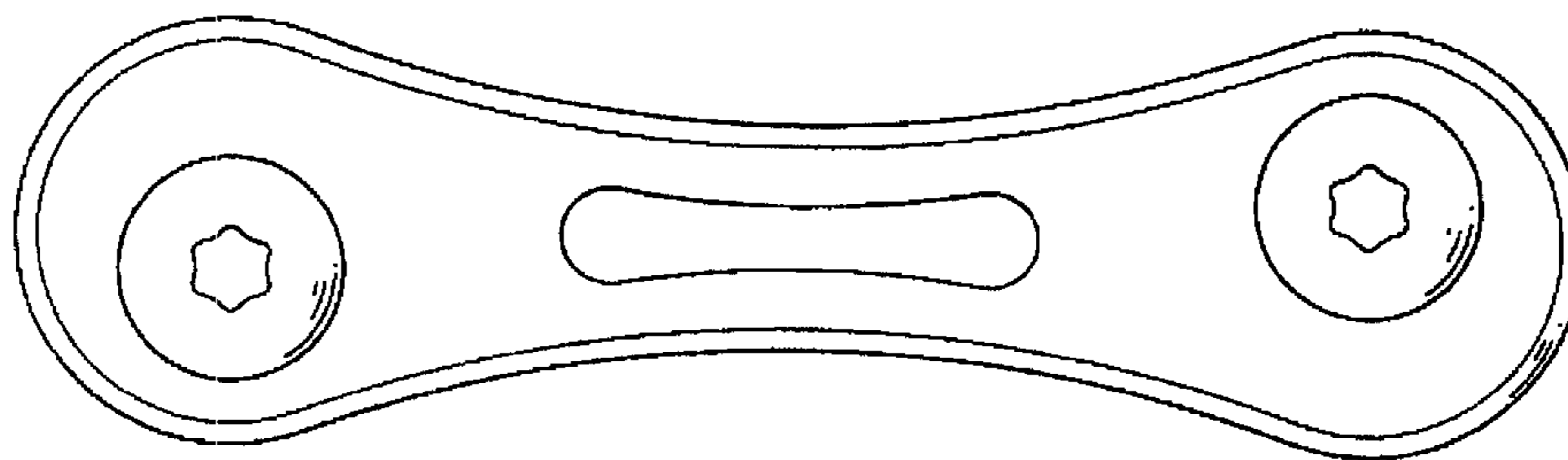


FIG. 3

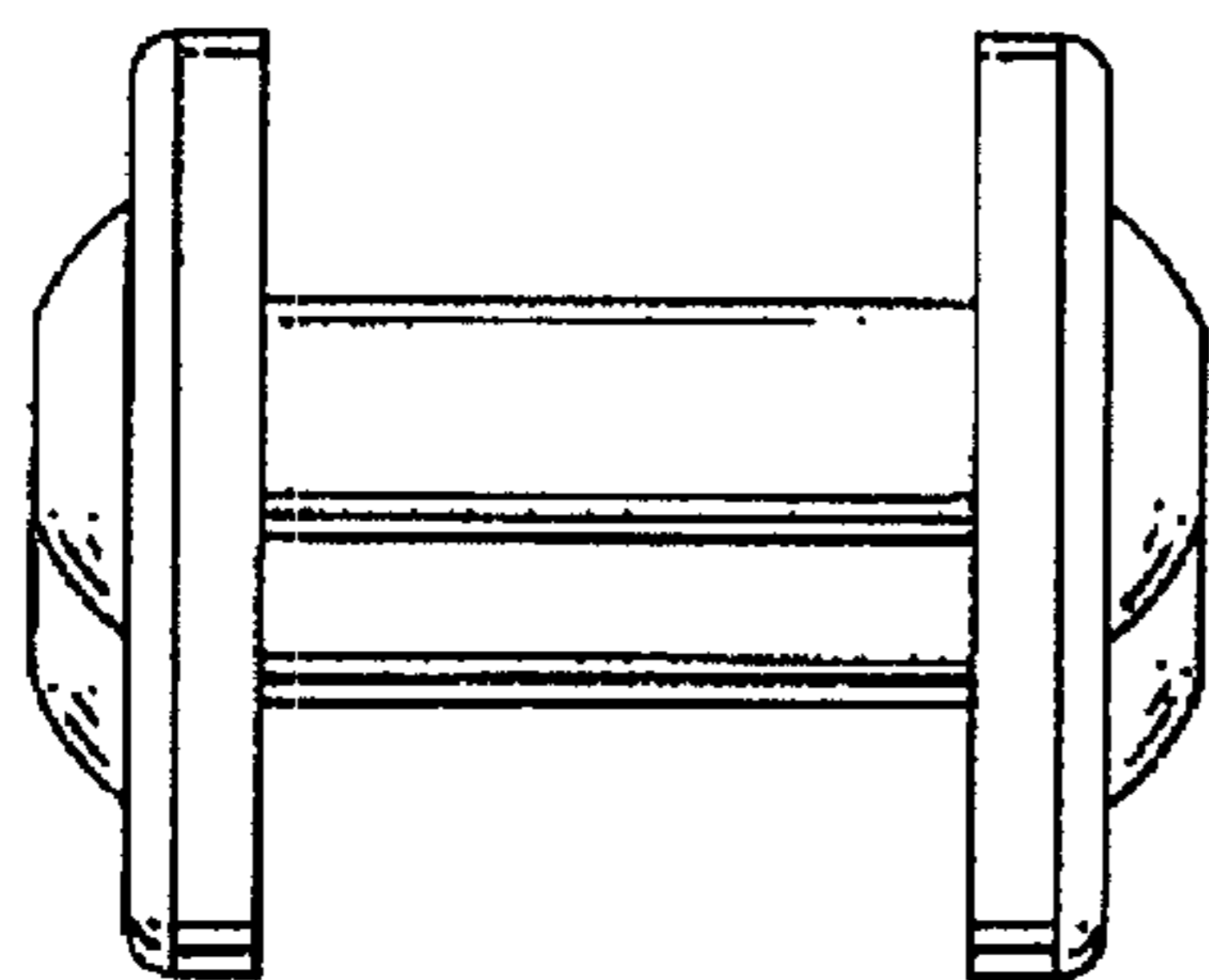


FIG. 4

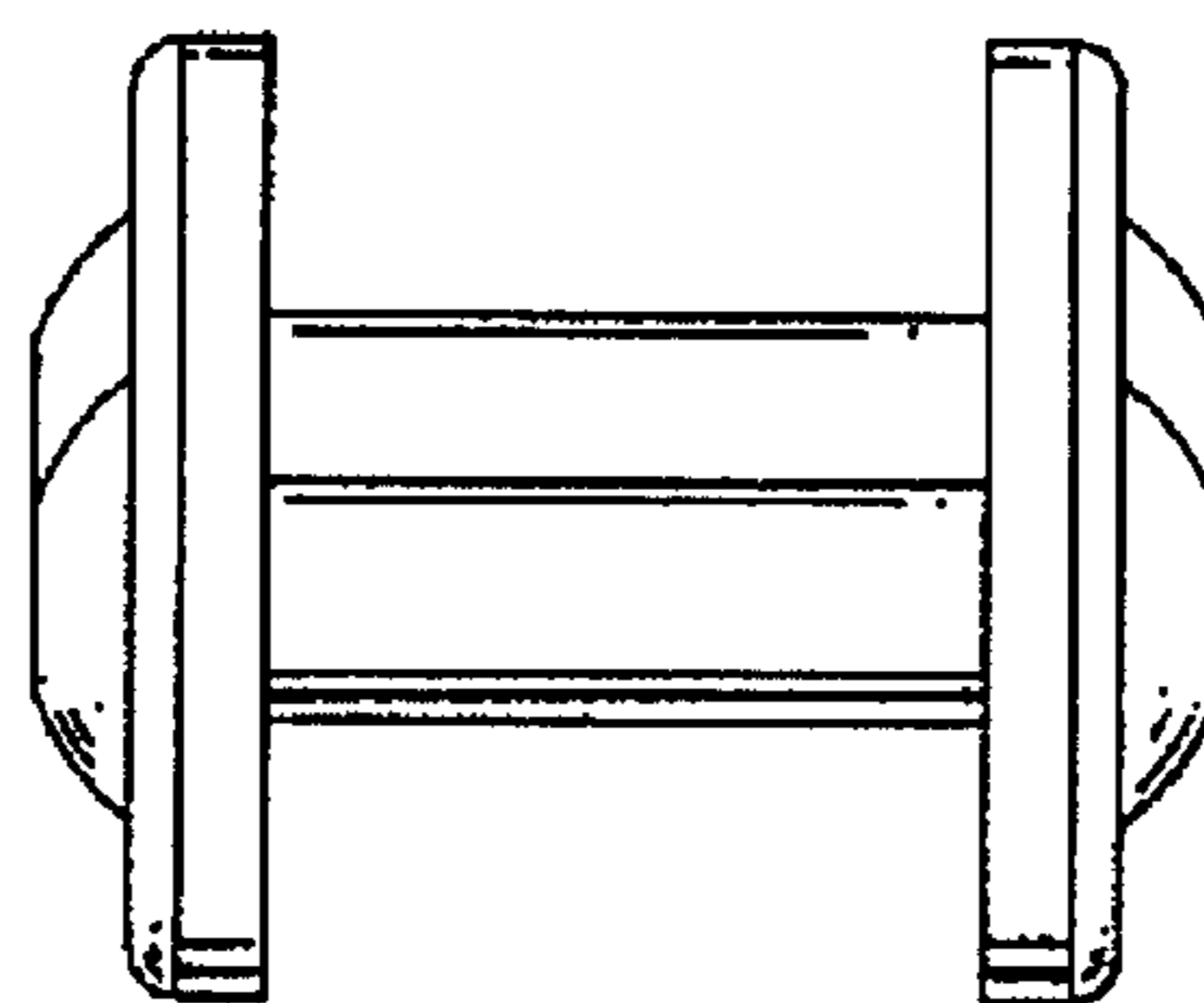


FIG. 5

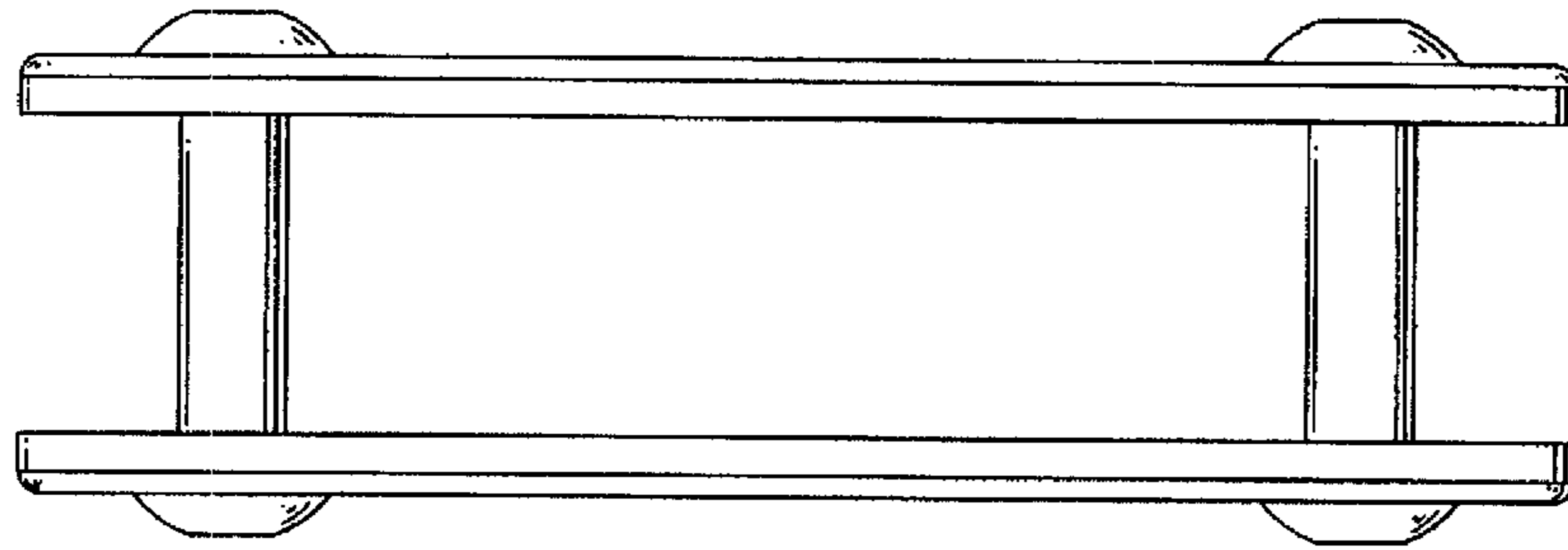


FIG. 6

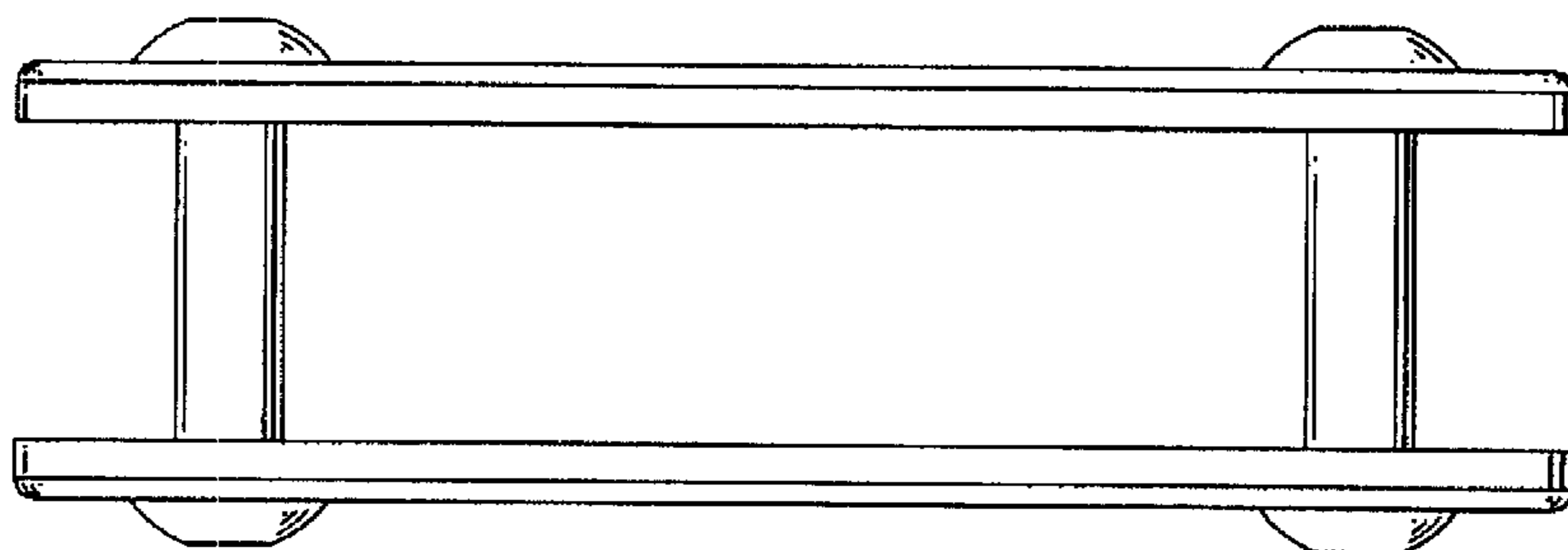


FIG. 7

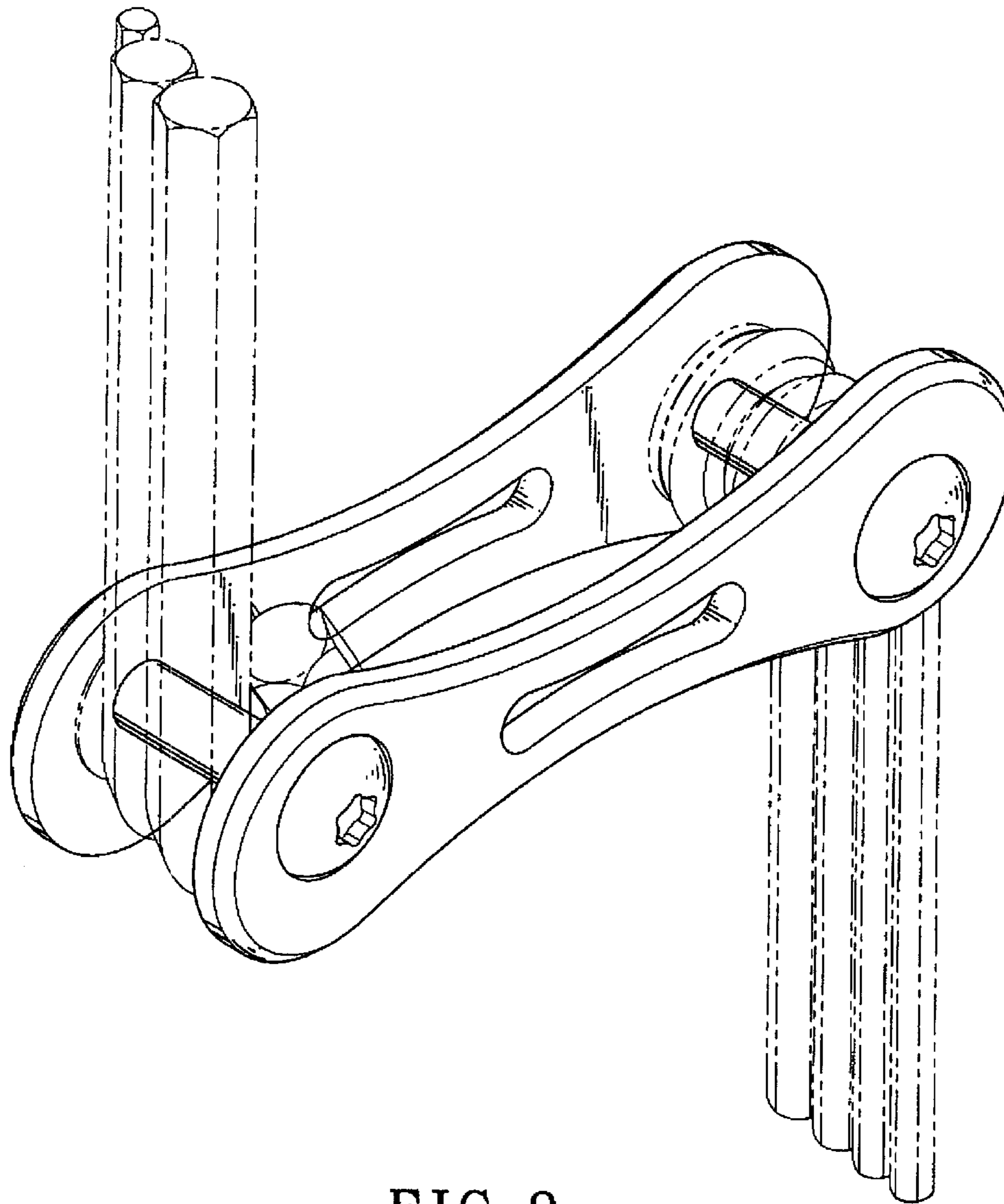


FIG. 8