

US00D542615S

(12) **United States Design Patent**
Wittke-Kothe

(10) **Patent No.:** **US D542,615 S**

(45) **Date of Patent:** **** May 15, 2007**

(54) **SCISSOR**

(75) Inventor: **Cornelia Wittke-Kothe**, Port
Washington, NY (US)

(73) Assignee: **Tweezerman International, LLC**, Port
Washington, NY (US)

(**) Term: **14 Years**

(21) Appl. No.: **29/258,067**

(22) Filed: **Apr. 14, 2006**

(51) **LOC (8) Cl.** **08-03**

(52) **U.S. Cl.** **D8/57; D28/44; D28/55**

(58) **Field of Classification Search** D8/51,
D8/52, 54, 57, 107; D24/133, 175; D28/44,
D28/52, 54, 55, 56, 57; 30/26, 28, 29, 175,
30/194, 234, 298, 340, 341, 343, 344, 250,
30/252, 253; 606/133, 210; 294/99.2
See application file for complete search history.

(56) **References Cited**

U.S. PATENT DOCUMENTS

- 2,834,349 A * 5/1958 Springer 606/174
- 3,664,346 A * 5/1972 Dunn 606/133
- 3,759,263 A * 9/1973 Taylor 128/207.29
- 4,089,113 A * 5/1978 Moritz et al. 30/253

- D310,714 S * 9/1990 Dolwick D24/148
- 5,217,464 A * 6/1993 McDonald 606/107
- D378,042 S * 2/1997 Jansson et al. D8/52
- D381,569 S * 7/1997 Brantley D8/52
- 5,813,417 A * 9/1998 Rudolph 132/200
- 6,019,021 A * 2/2000 Keyvani 81/416
- D427,497 S * 7/2000 Yeh D8/57
- D493,889 S * 8/2004 Koo D24/146
- D516,246 S * 2/2006 Lin D28/55

* cited by examiner

Primary Examiner—Alan P. Douglas

Assistant Examiner—Deanna Fluegeman

(74) *Attorney, Agent, or Firm*—Kenyon & Kenyon LLP

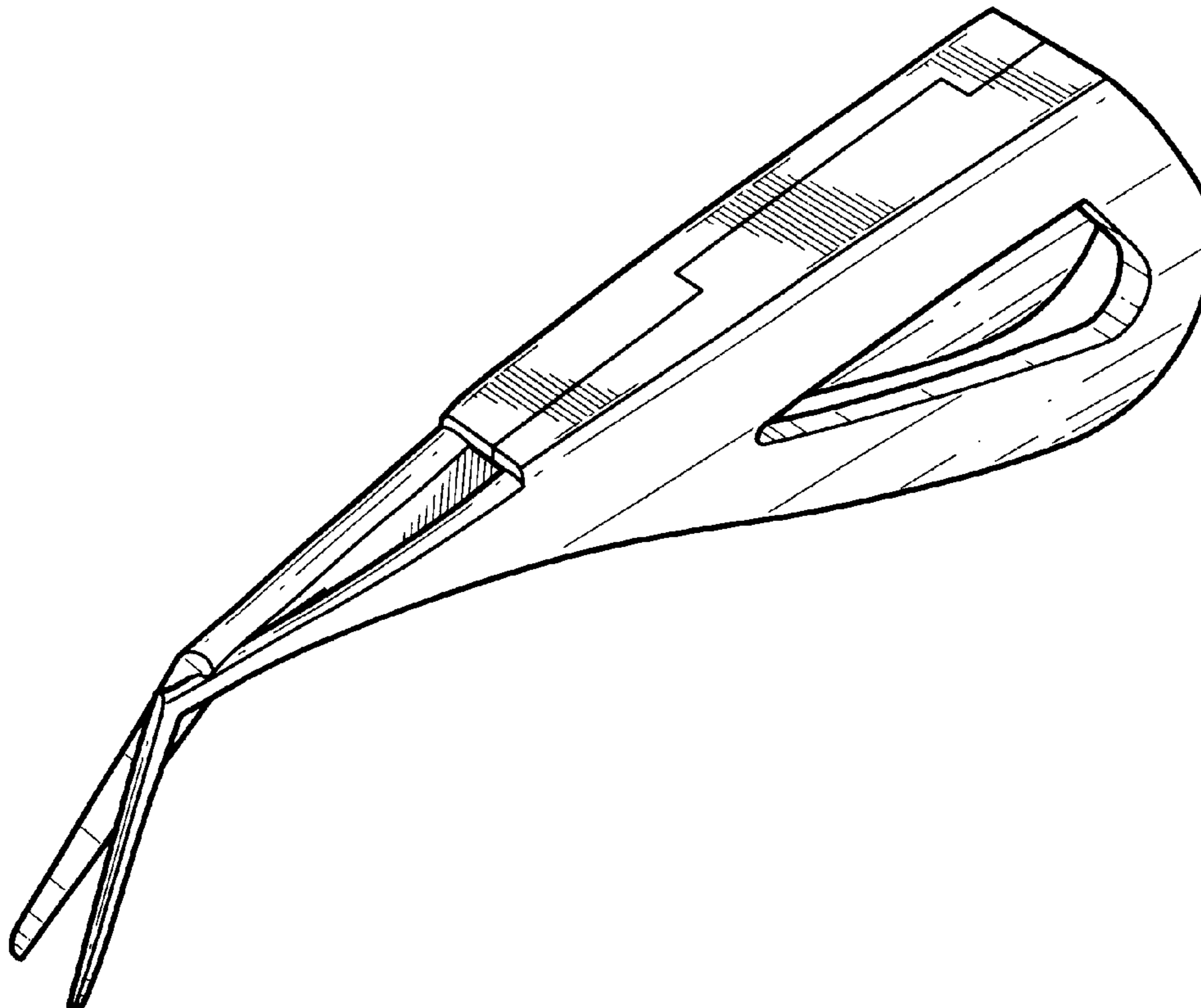
(57) **CLAIM**

The ornamental design for a scissor, as shown and described.

DESCRIPTION

FIG. 1 is a perspective view of a scissor showing my new design;
 FIG. 2 is a left side view thereof;
 FIG. 3 is a front view thereof;
 FIG. 4 is a right view thereof;
 FIG. 5 is a rear view thereof;
 FIG. 6 is a top view thereof; and,
 FIG. 7 is a bottom view thereof.

1 Claim, 3 Drawing Sheets



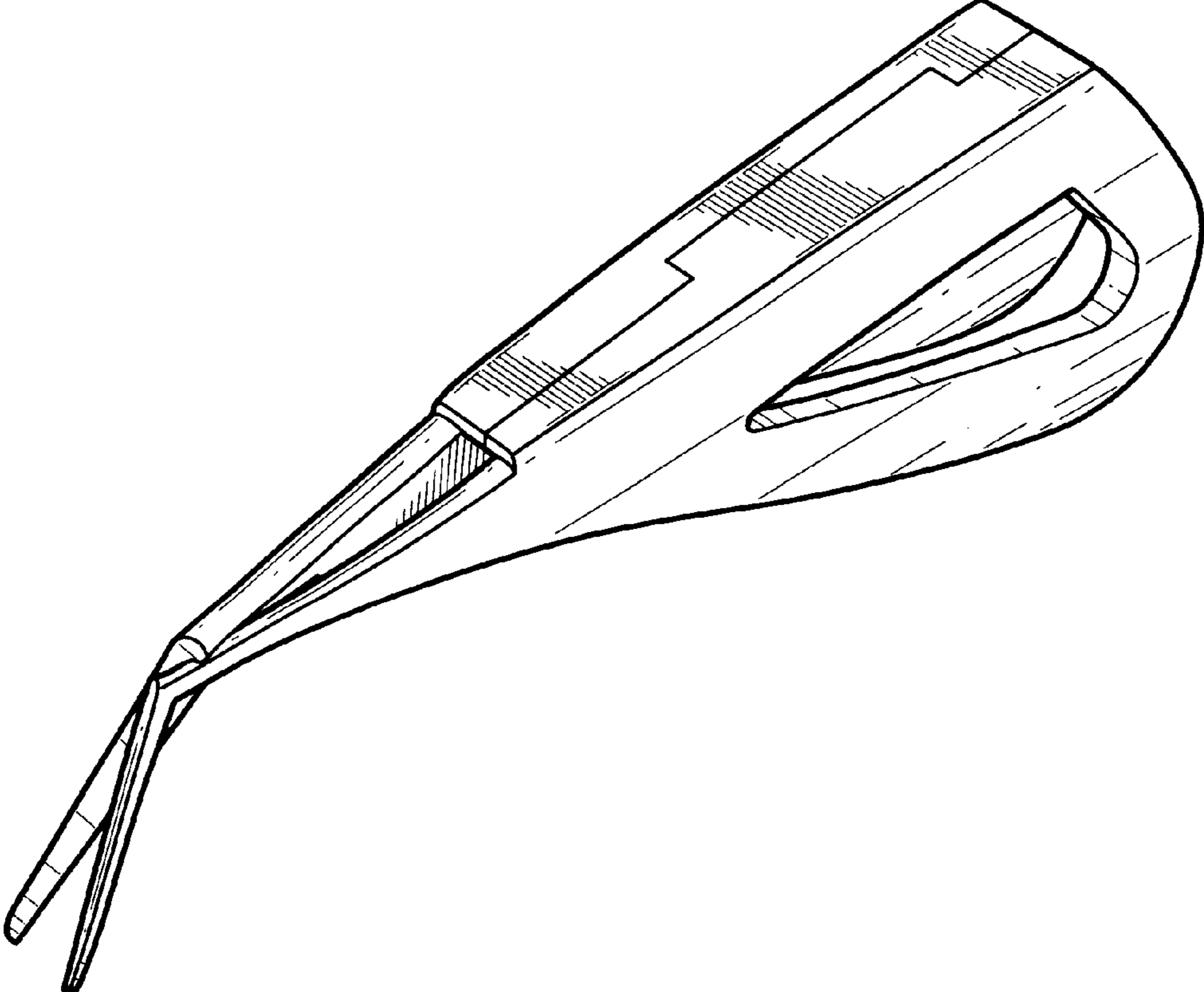


FIG. 1

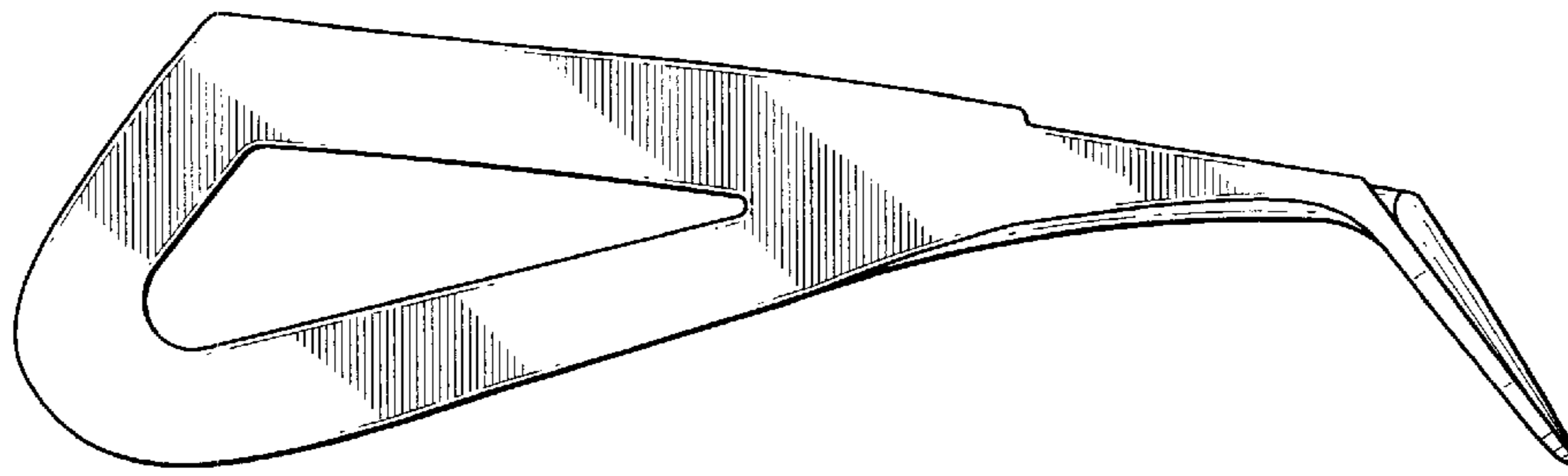


FIG. 2

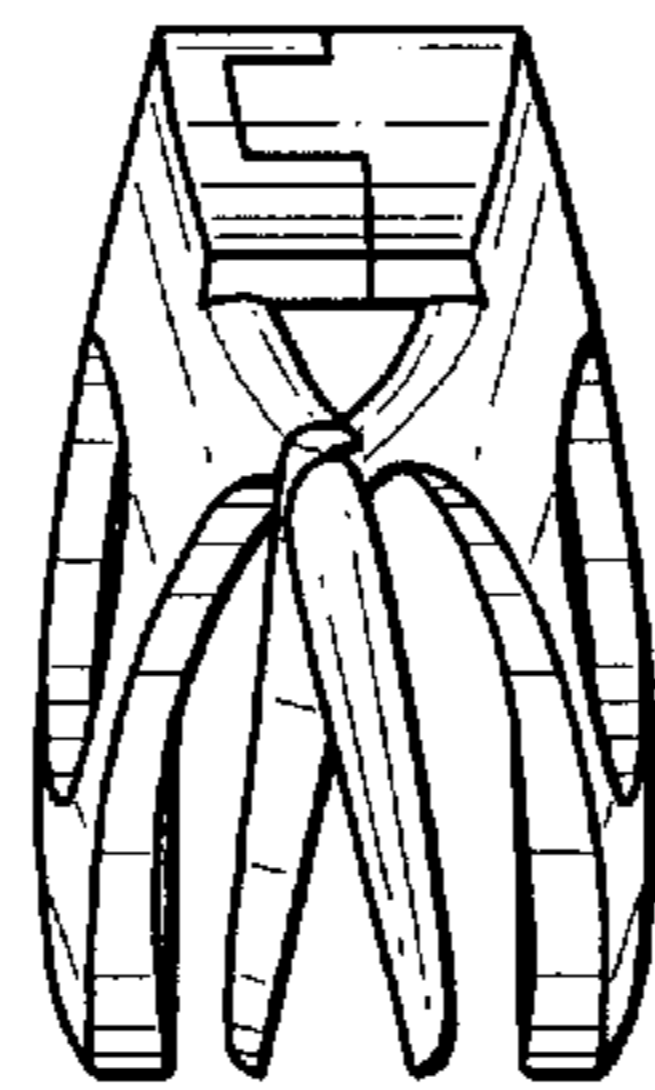


FIG. 3

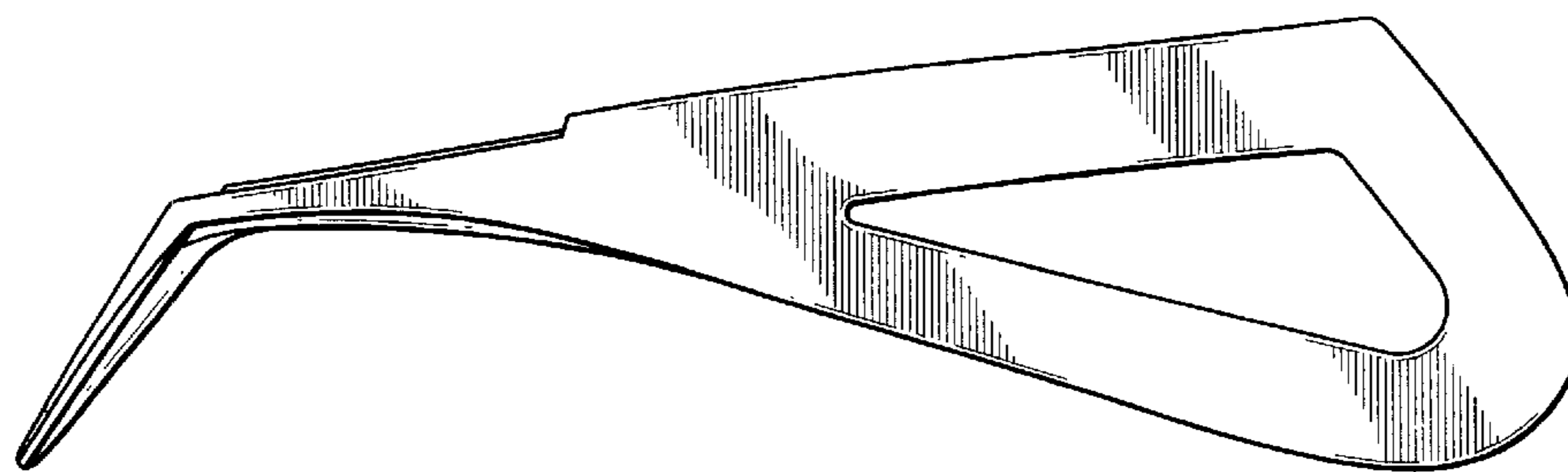


FIG. 4

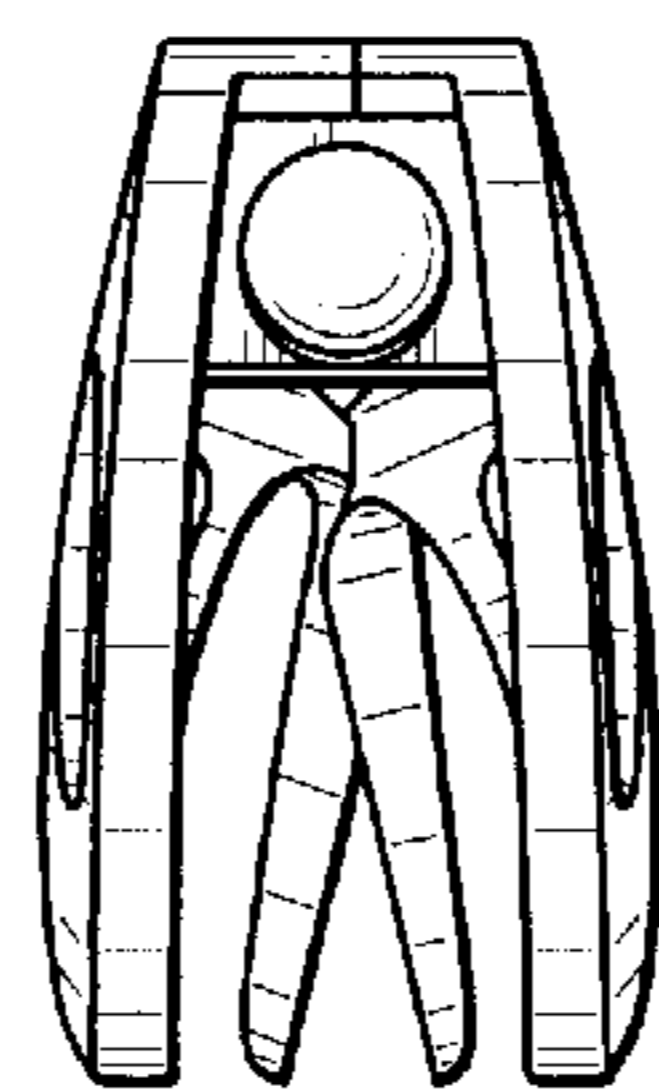


FIG. 5

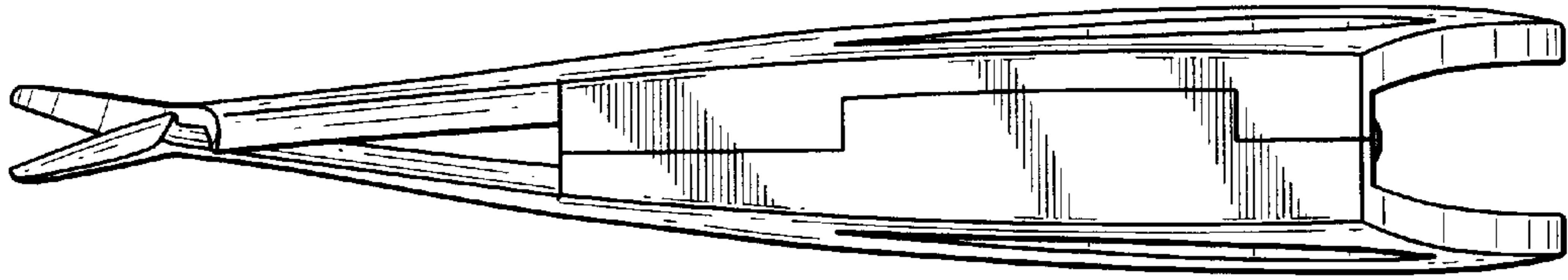


FIG. 6

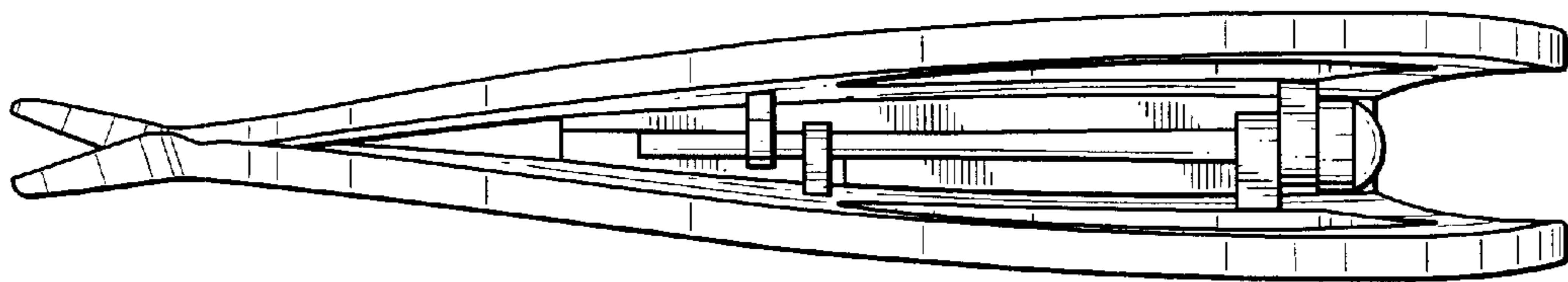


FIG. 7