



US00D542603S

(12) **United States Design Patent**
Hood

(10) **Patent No.:** **US D542,603 S**

(45) **Date of Patent:** **** May 15, 2007**

(54) **SALAD SPINNER**

(75) Inventor: **Lance Logan Hood**, Seattle, WA (US)

(73) Assignee: **Kwok Kuen So**, Kowloon, Hong Kong (CN)

(**) Term: **14 Years**

(21) Appl. No.: **29/252,947**

(22) Filed: **Jan. 30, 2006**

(30) **Foreign Application Priority Data**

Sep. 2, 2005 (HK) 0502041

(51) **LOC (8) Cl.** **07-04**

(52) **U.S. Cl.** **D7/665**

(58) **Field of Classification Search** D7/665-668,
D7/538-542, 629; 34/58; 99/479, 495, 511-513;
210/360.1, 380.1; 241/166, 169
See application file for complete search history.

(56) **References Cited**

U.S. PATENT DOCUMENTS

D257,203 S * 10/1980 Doyel D7/665

D260,346 S * 8/1981 Lebowitz D7/665

D345,678 S * 4/1994 Duquaine et al. D7/665

5,562,025 A * 10/1996 Bull et al. 99/495

D411,720 S * 6/1999 Lillelund et al. D7/665

6,622,618 B1 * 9/2003 Glucksman et al. 99/495

* cited by examiner

Primary Examiner—Terry A. Wallace

(74) *Attorney, Agent, or Firm*—Alix, Yale & Ristas, LLP

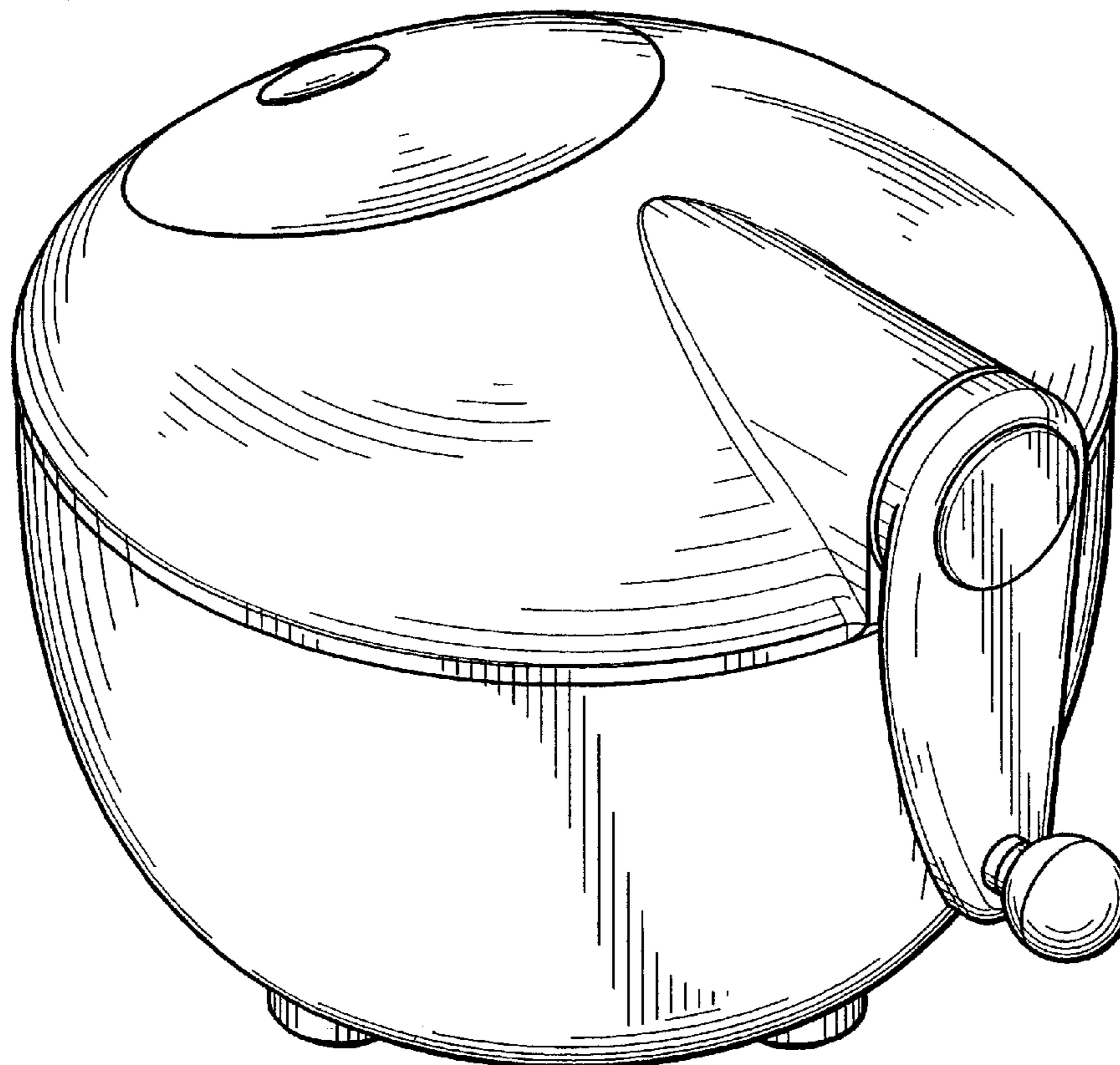
(57) **CLAIM**

The ornamental design for a salad spinner, as shown and described.

DESCRIPTION

FIG. 1 is a front, right side and top perspective view of a salad spinner showing my new design; FIG. 2 is a front, left side and top perspective view thereof; FIG. 3 is a front elevational view thereof; FIG. 4 is a rear elevational view thereof; FIG. 5 is a left side elevational view thereof; FIG. 6 is a right elevational view thereof; FIG. 7 is a top plan view thereof; and, FIG. 8 is a bottom plan view thereof.

1 Claim, 4 Drawing Sheets



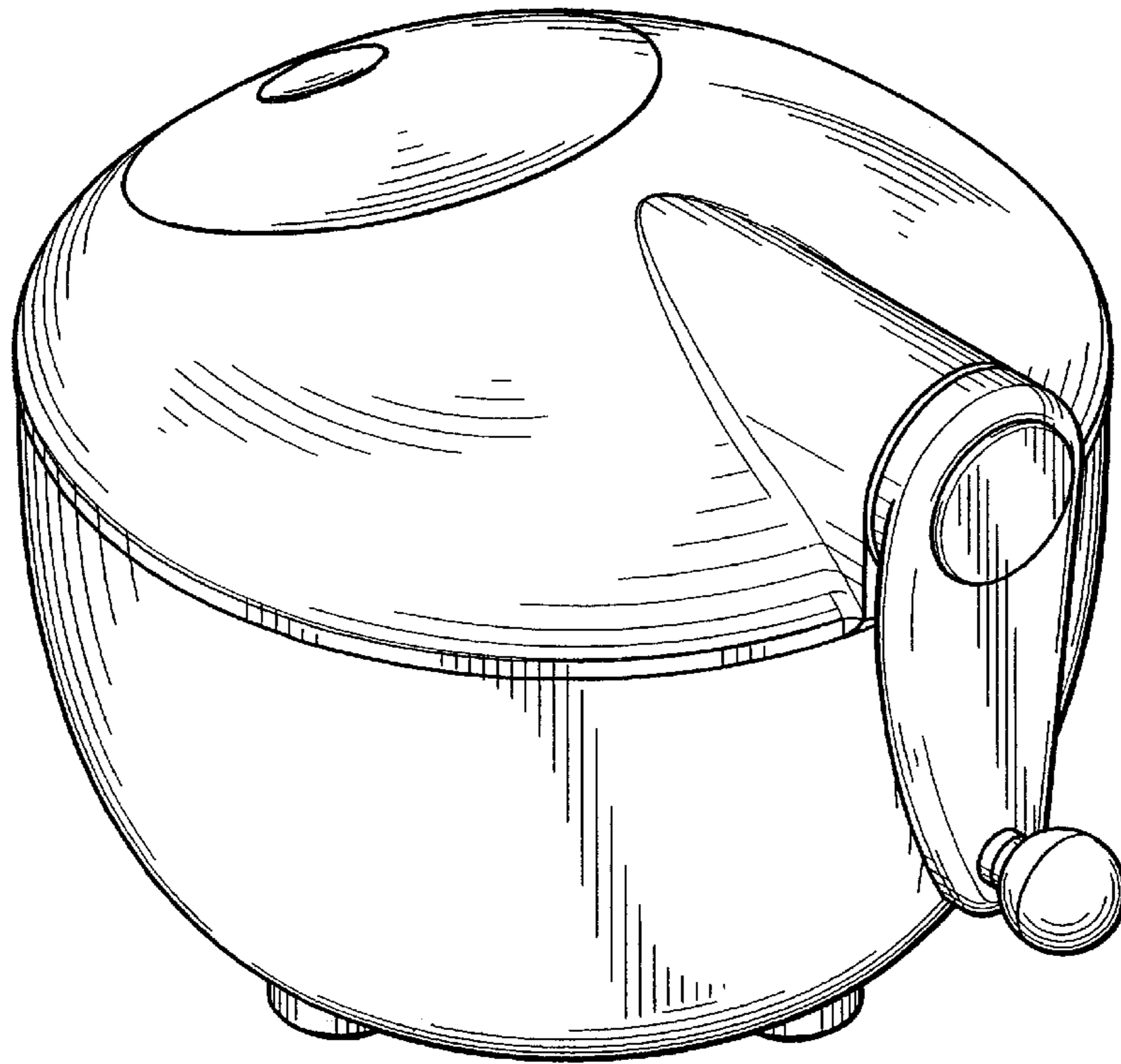


FIG. 1

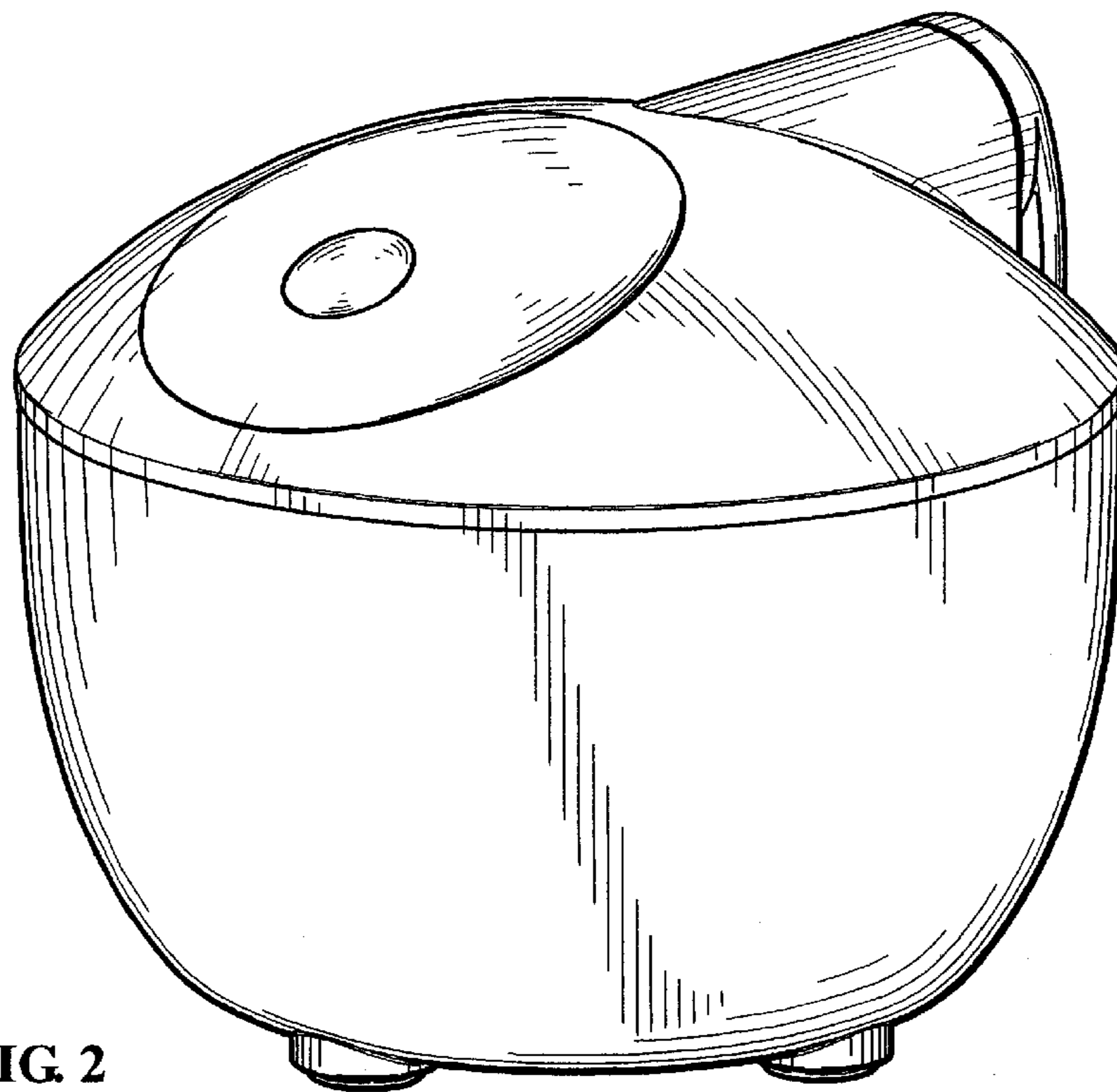


FIG. 2

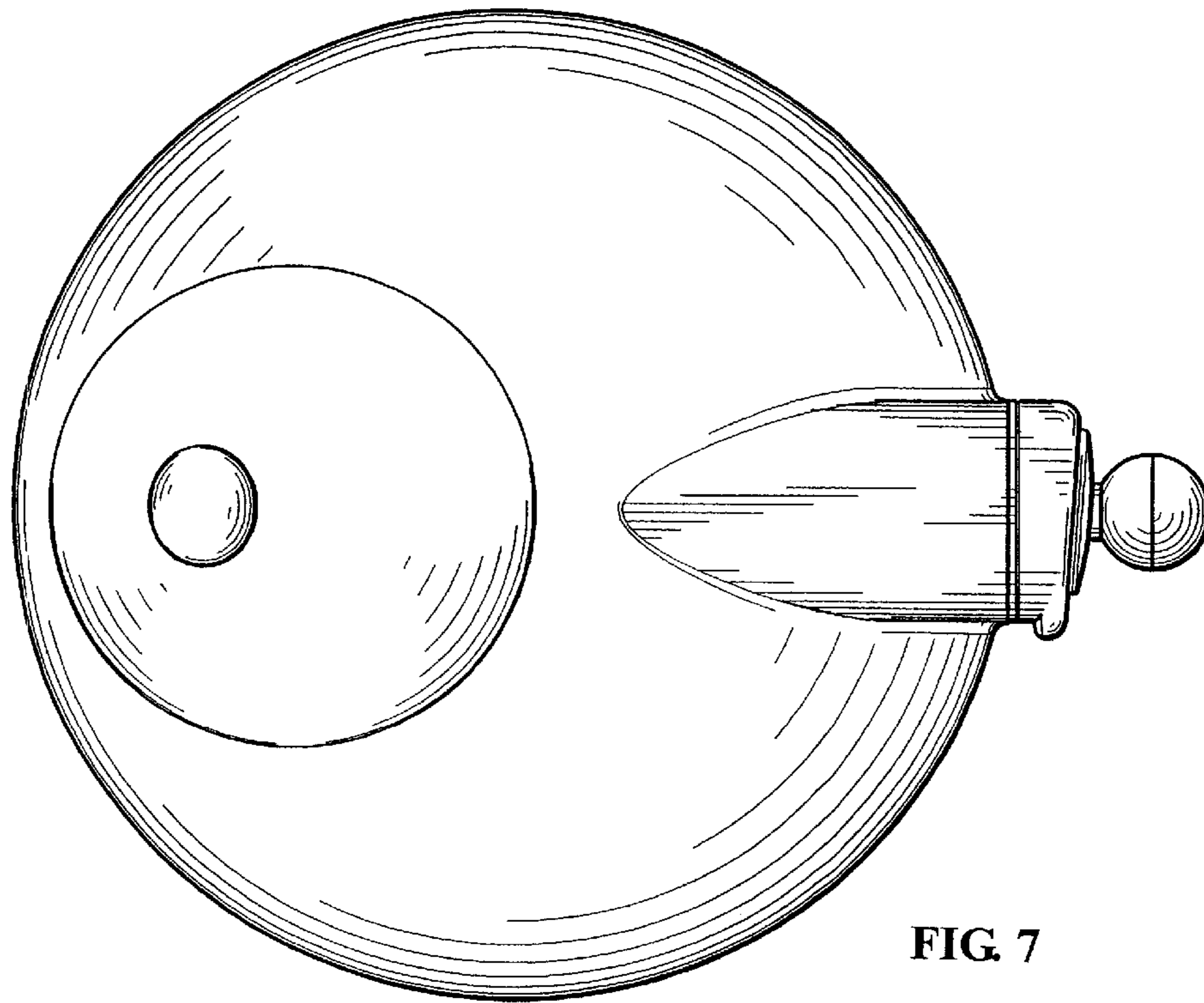


FIG. 7

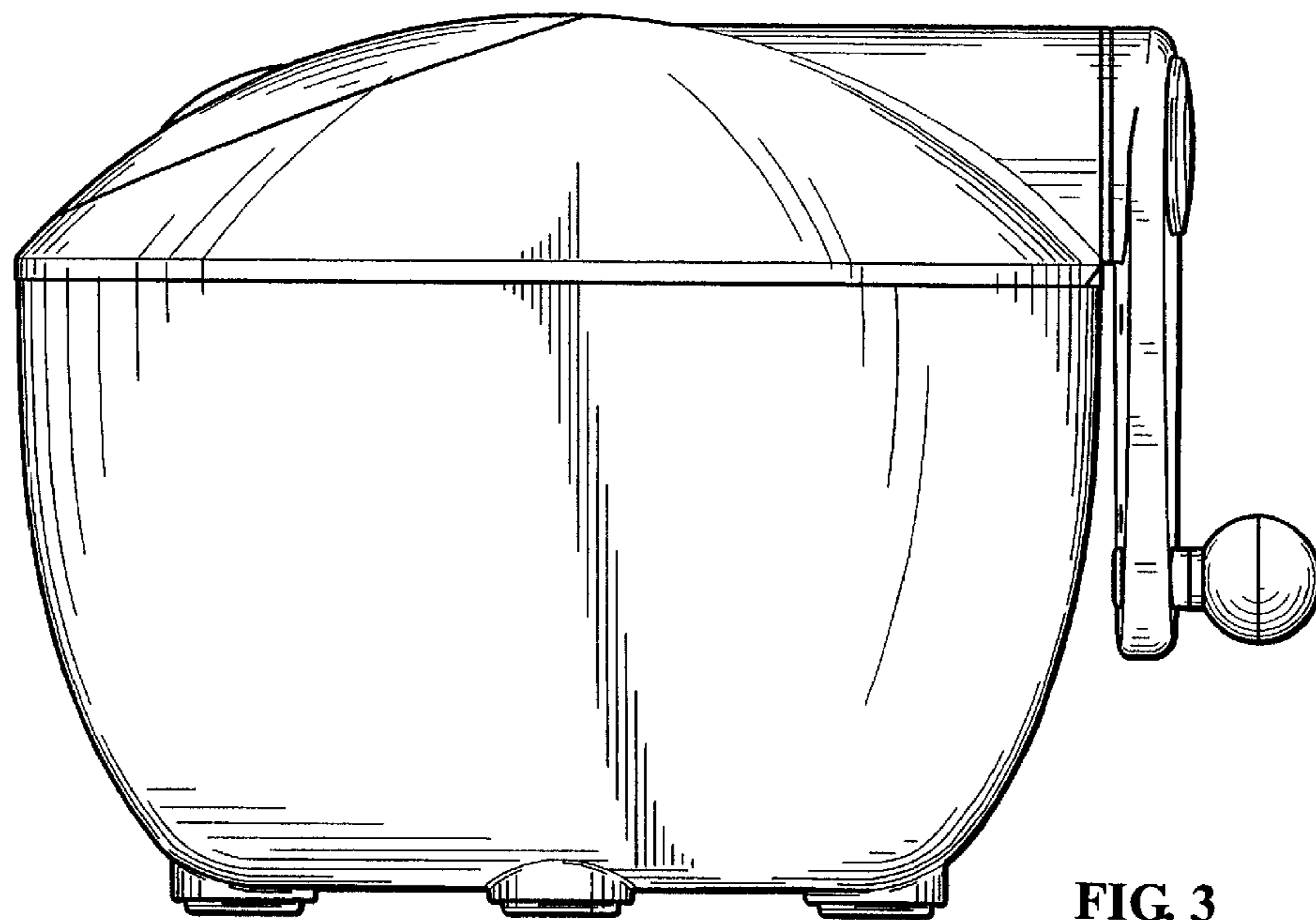


FIG. 3

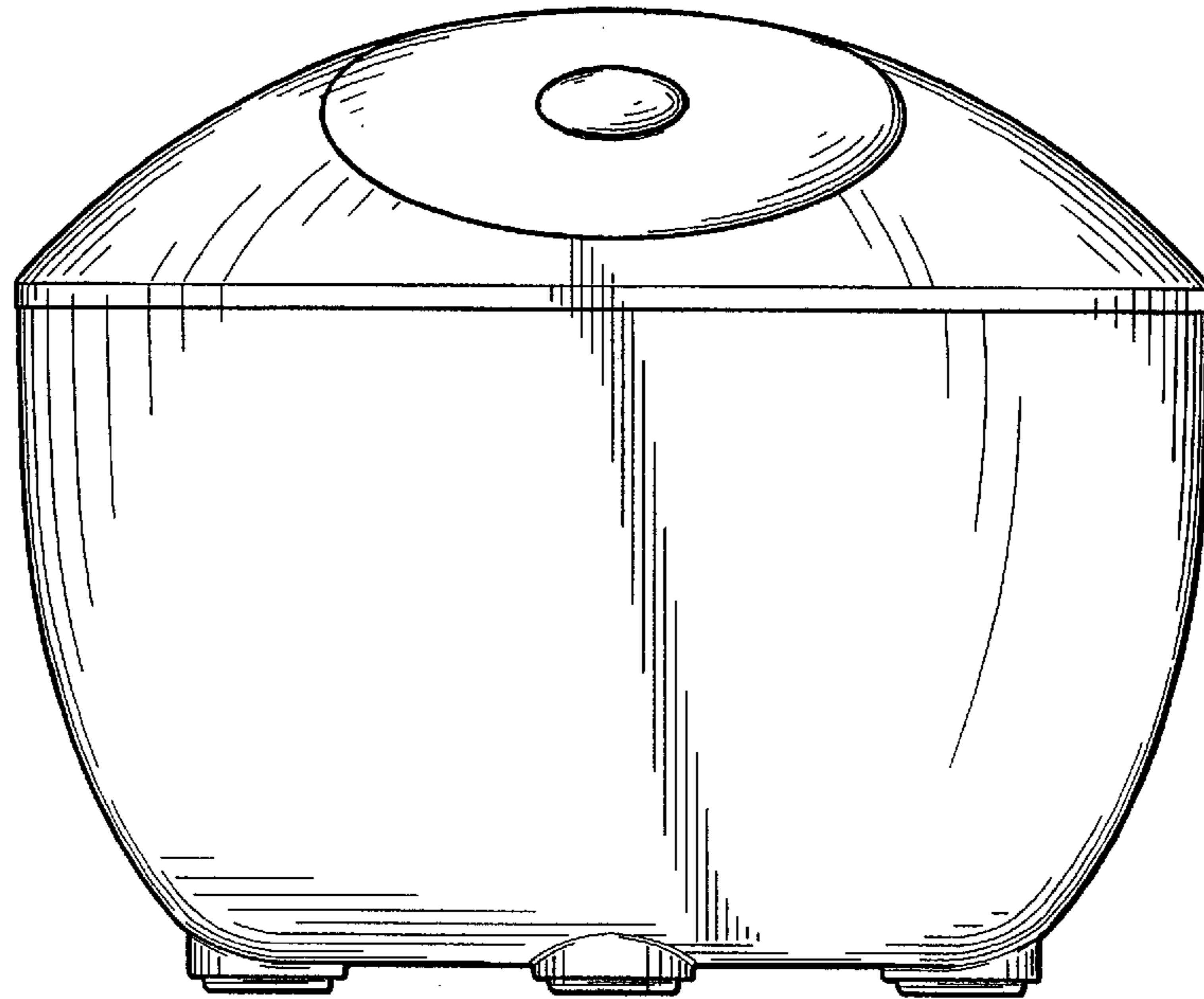


FIG. 5

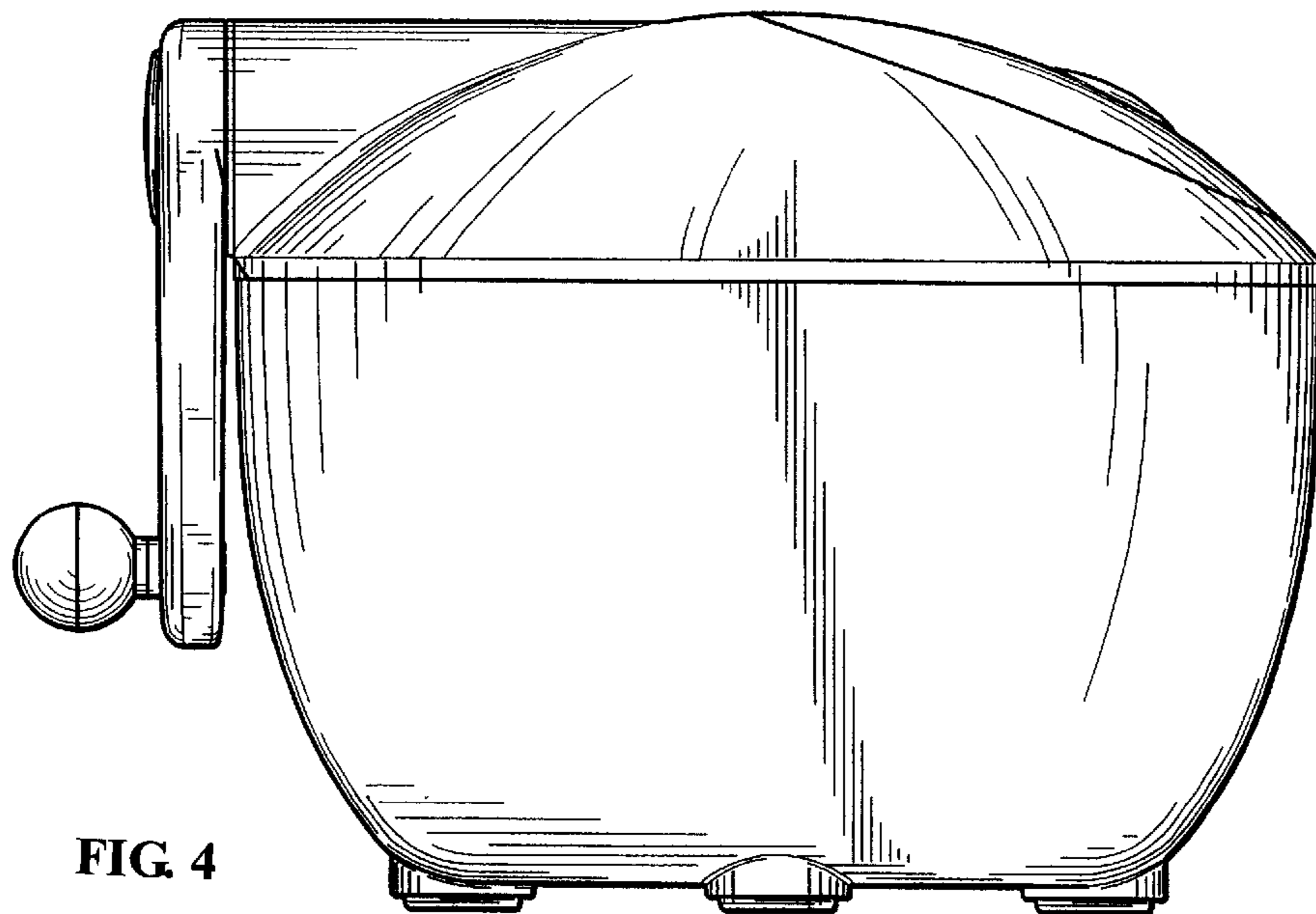


FIG. 4

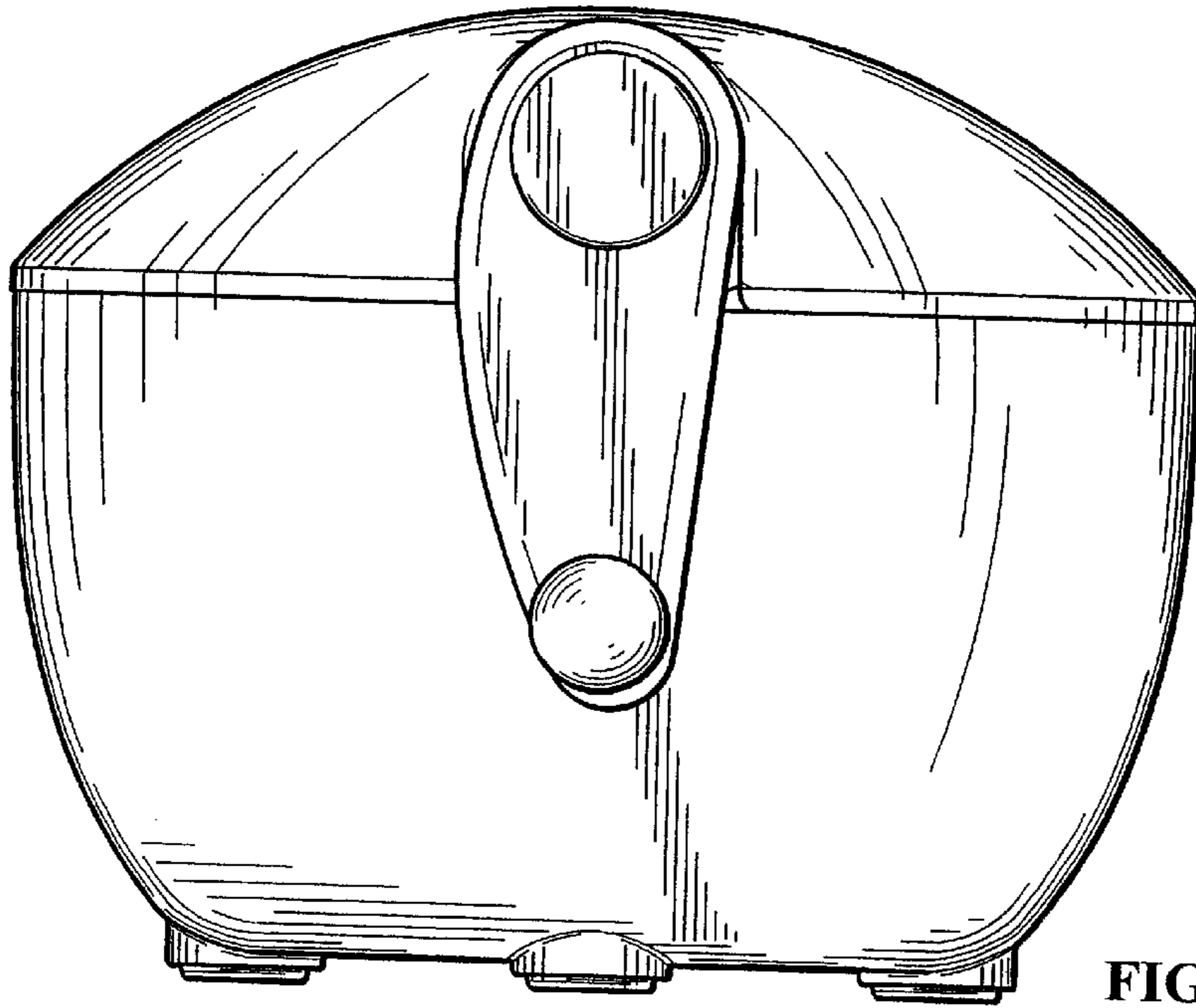


FIG. 6

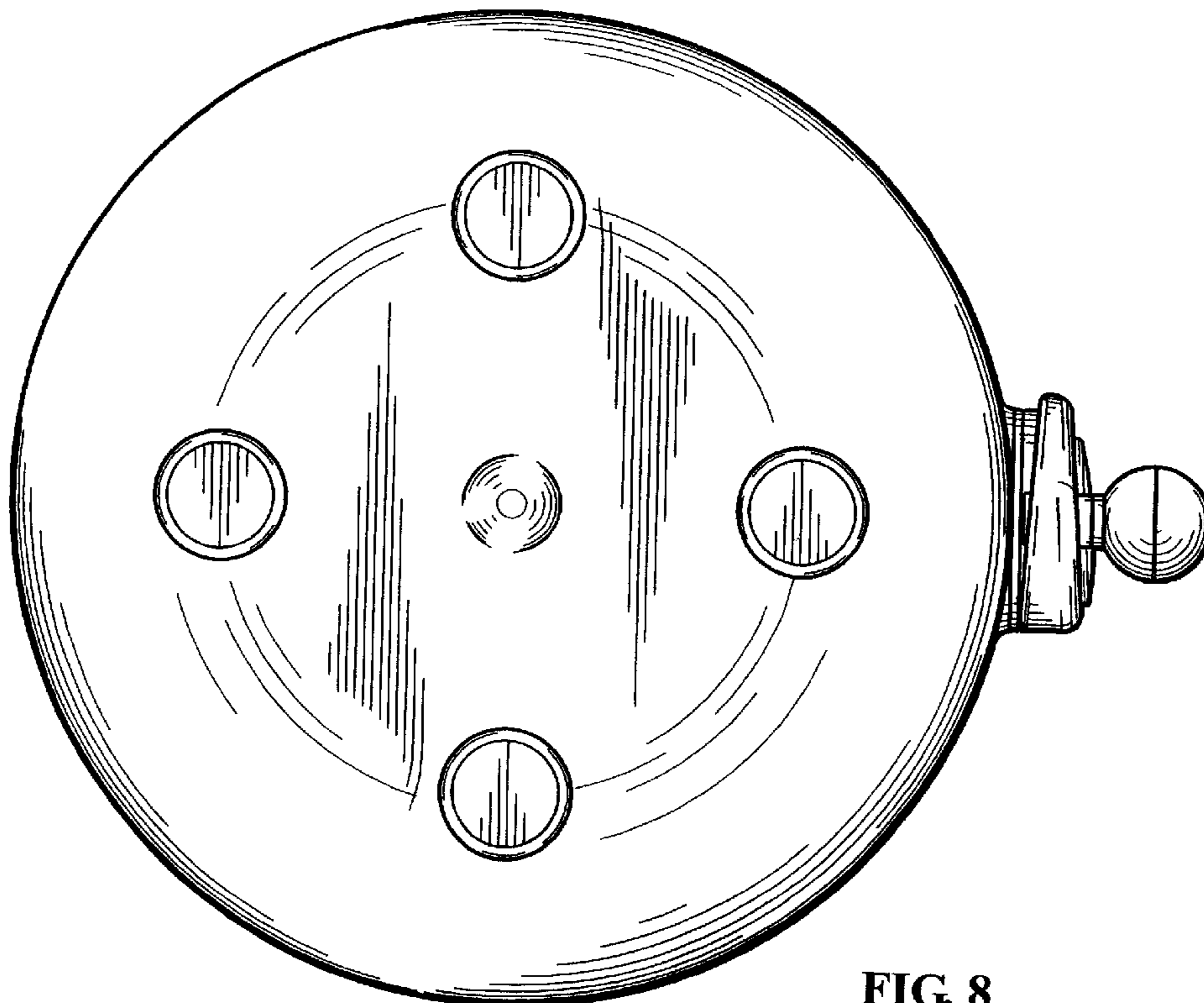


FIG. 8