

US00D542602S

(12) **United States Design Patent**
Morford

(10) **Patent No.:** **US D542,602 S**

(45) **Date of Patent:** **** May 15, 2007**

(54) **DRINK CUP HOLDER**

(76) Inventor: **Marvin Morford**, 1815 Ashworth Rd.,
West Des Moines, IA (US) 50265

(**) Term: **14 Years**

(21) Appl. No.: **29/254,391**

(22) Filed: **Feb. 23, 2006**

(51) **LOC (8) Cl.** **07-06**

(52) **U.S. Cl.** **D7/620**

(58) **Field of Classification Search** D7/619.1-625;
D6/403-405, 455, 461, 466-469, 556, 558;
62/457.9; 220/737-741; 211/71.01, 74; 248/309.1,
248/310, 311.2, 315

See application file for complete search history.

(56) **References Cited**

U.S. PATENT DOCUMENTS

- D91,641 S * 2/1934 Wittig D6/556
- D226,623 S * 4/1973 Shuford D7/620
- D333,072 S * 2/1993 Hung D7/622
- 5,372,017 A * 12/1994 Zorea et al. 62/457.9
- D361,461 S * 8/1995 Linzenbold D6/556

- D377,874 S * 2/1997 Wright D6/461
- 5,996,957 A * 12/1999 Kurtz 248/311.2
- 6,260,811 B1 * 7/2001 O'Neil 248/311.2

* cited by examiner

Primary Examiner—Terry A. Wallace

(74) *Attorney, Agent, or Firm*—G. Brian Pingel; Camille L. Urban; Adam W. Jones

(57) **CLAIM**

The ornamental design for a drink cup holder, as shown and described.

DESCRIPTION

FIG. 1 is a front side perspective view of a drink cup holder showing my new design together with a cup shown in broken lines positioned in the holder;

FIG. 2 is a side elevational view thereof, with the opposite side being a mirror image of the side shown;

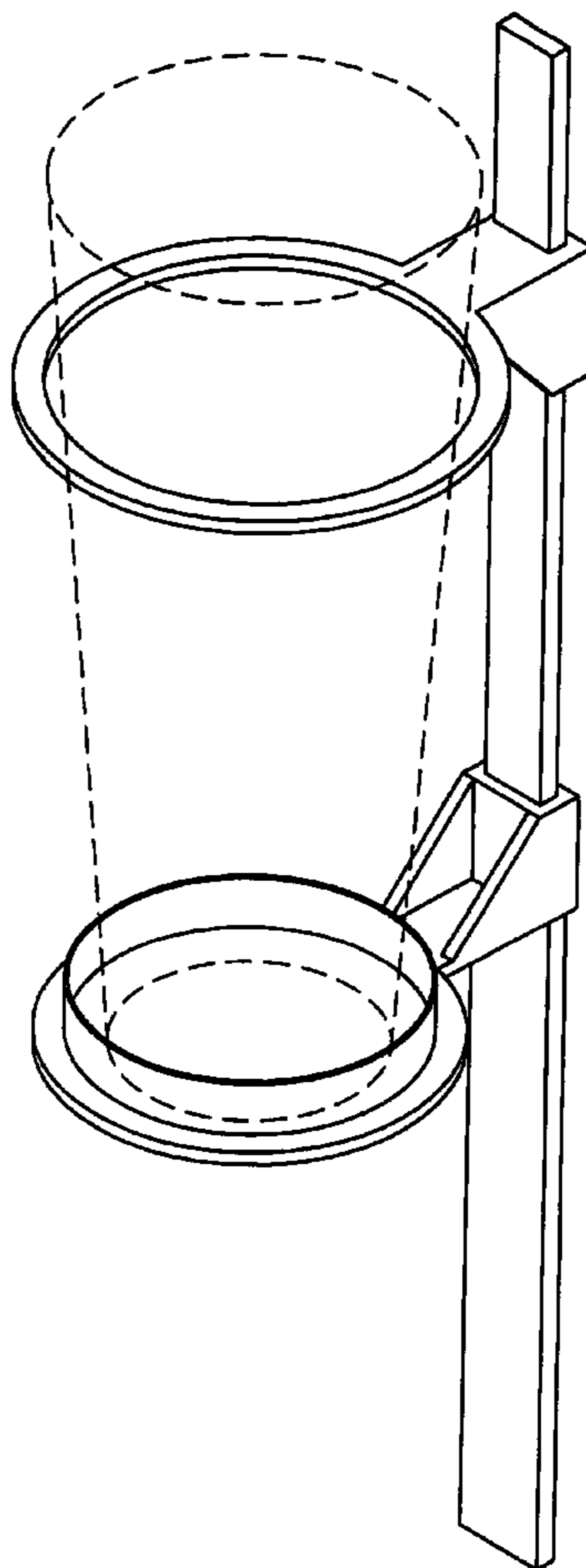
FIG. 3 is a front elevational view thereof;

FIG. 4 is a rear elevational view thereof;

FIG. 5 is a top plan view thereof; and,

FIG. 6 is a bottom view thereof.

1 Claim, 5 Drawing Sheets



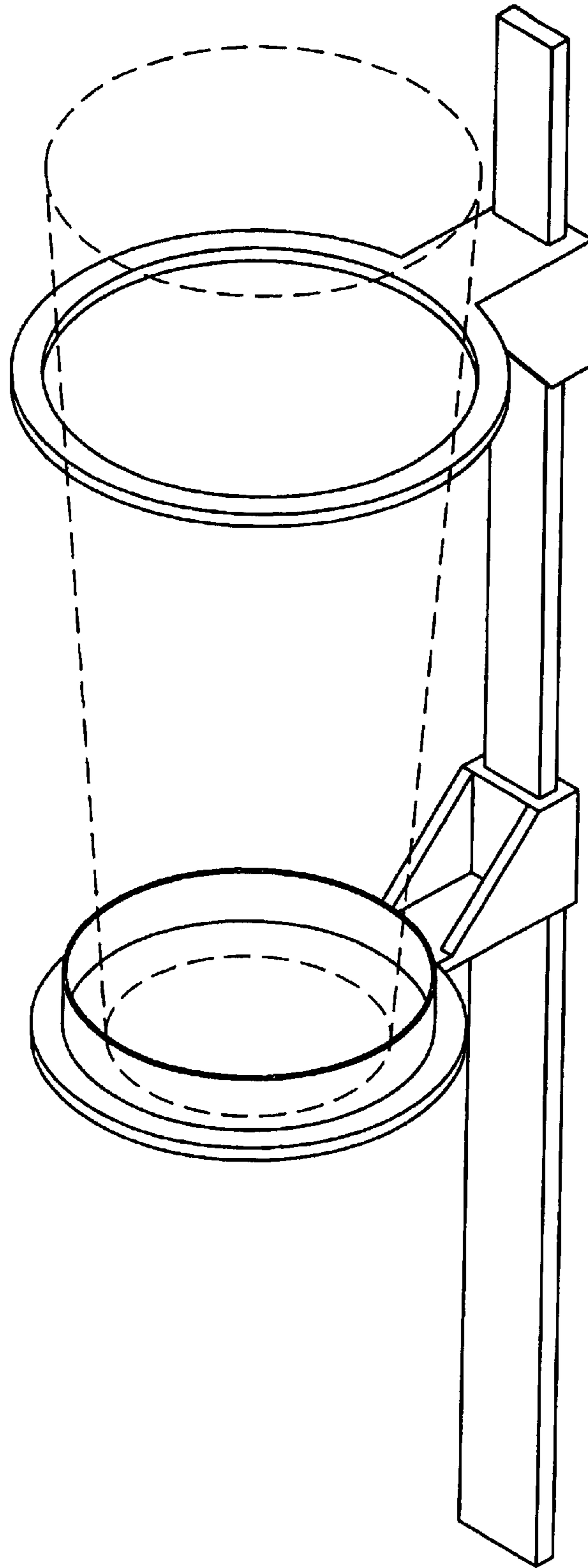


Fig. 1

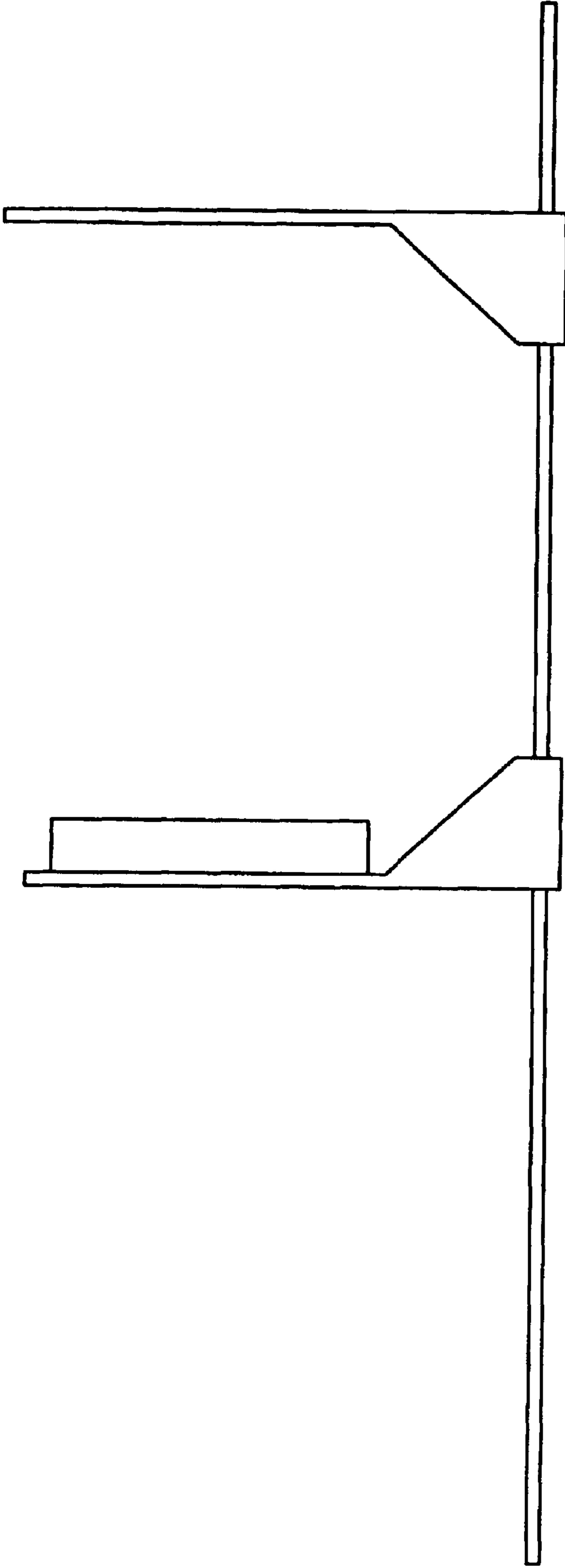


Fig. 2

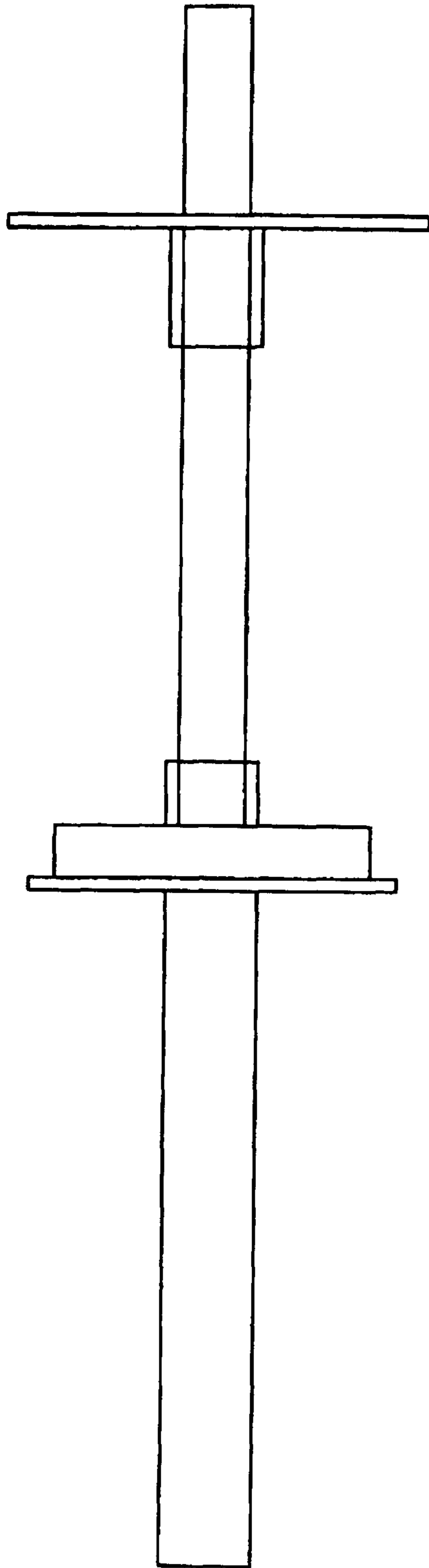


Fig. 3

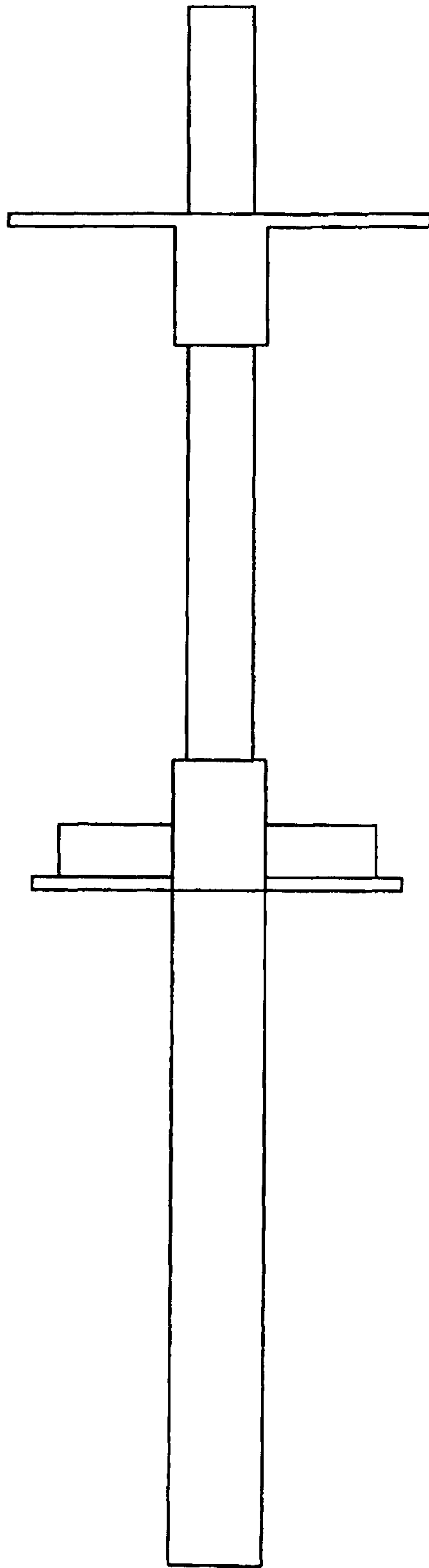


Fig. 4

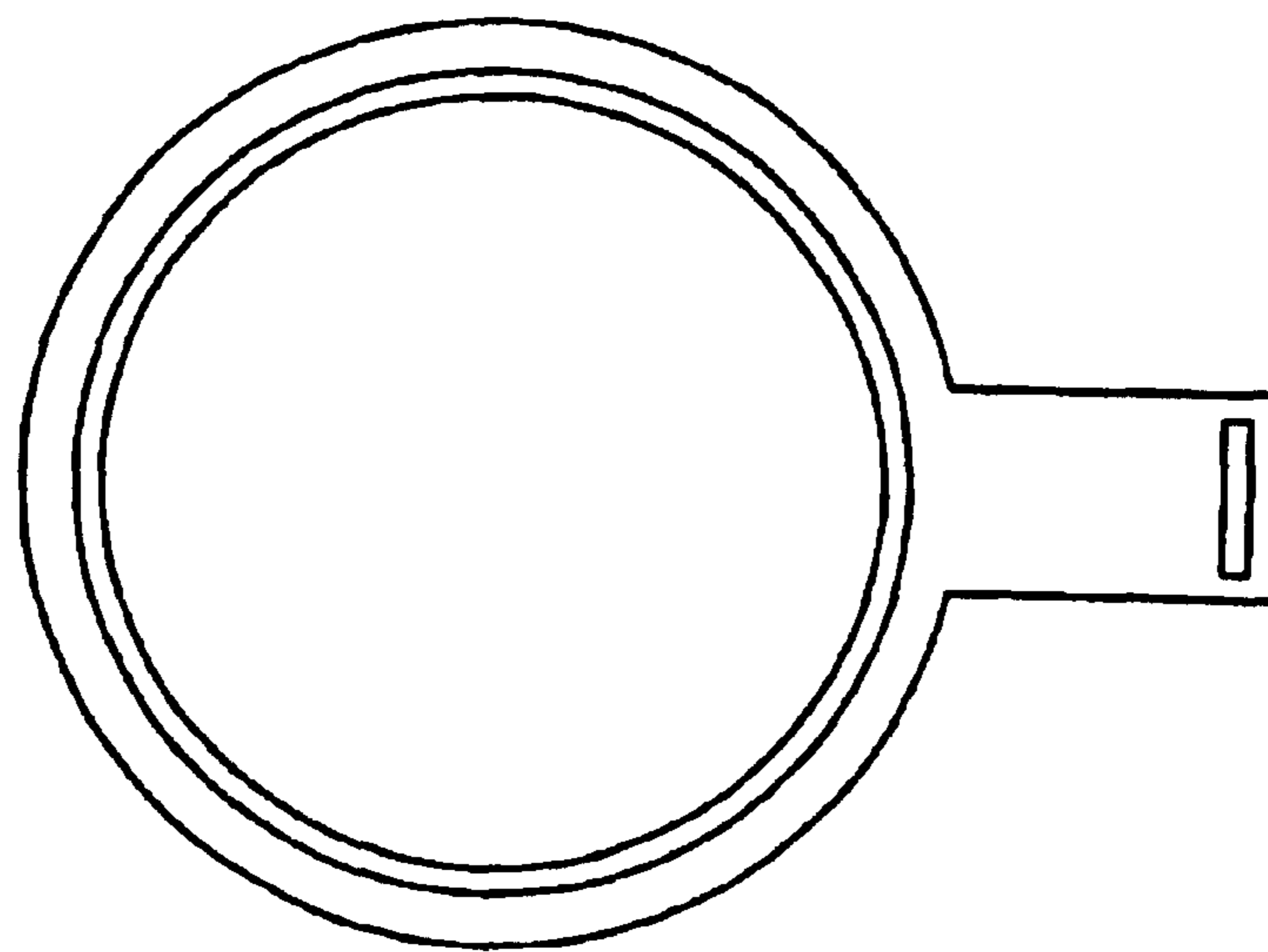


Fig. 5

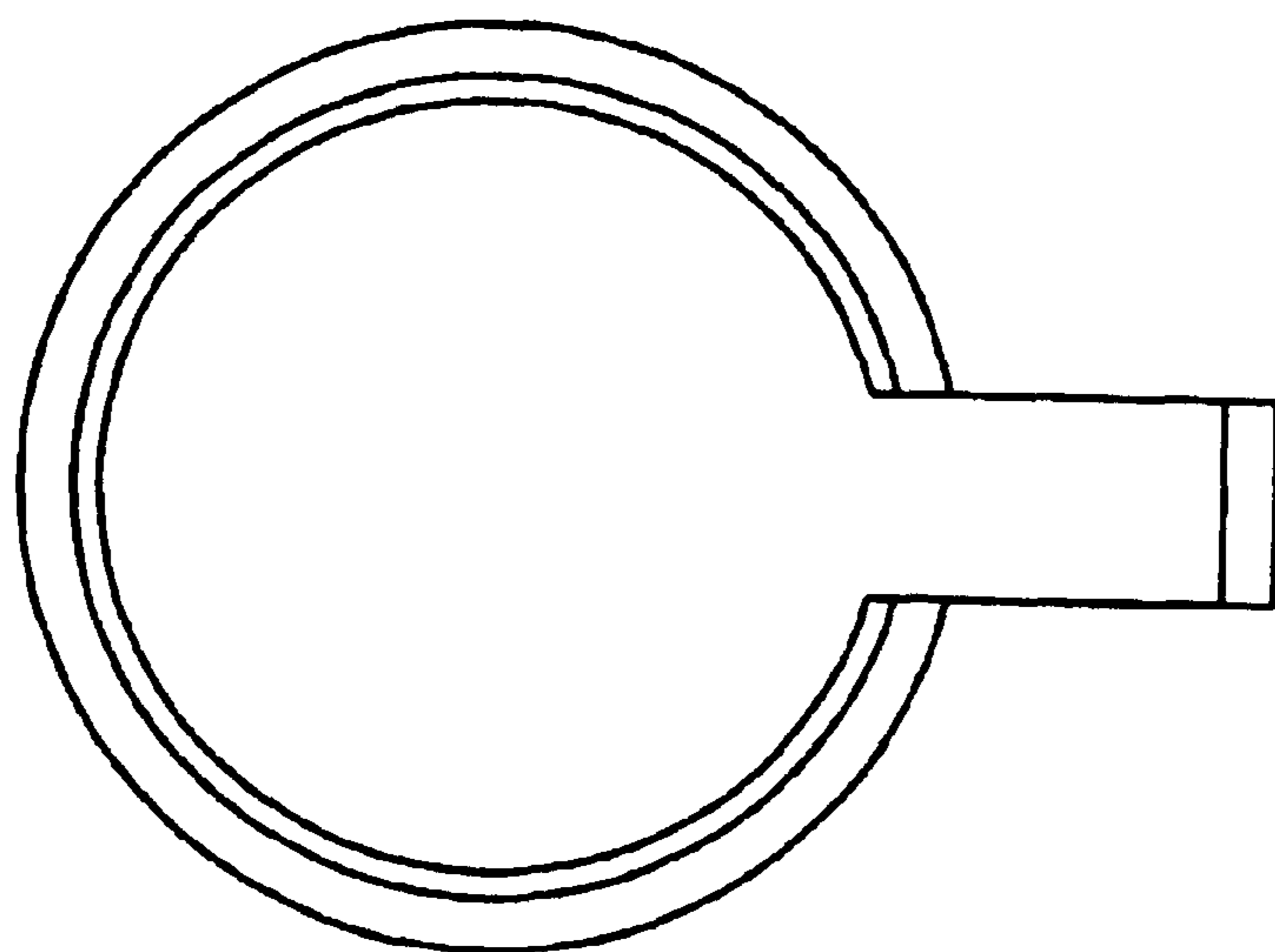


Fig. 6