



US00D542600S

(12) **United States Design Patent**
James

(10) **Patent No.:** **US D542,600 S**

(45) **Date of Patent:** **** May 15, 2007**

(54) **BUS TRAY**

(76) **Inventor:** **Eddie L. James**, 2248 W. Jackson St.,
Orlando, FL (US) 32805

(**) **Term:** **14 Years**

(21) **Appl. No.:** **29/228,515**

(22) **Filed:** **Apr. 25, 2005**

(51) **LOC (8) Cl.** **07-01**

(52) **U.S. Cl.** **D7/553.6**

(58) **Field of Classification Search** D7/542,
D7/545, 550.1, 552.1, 553.6, 554.2, 555,
D7/565, 584, 586, 300, 587, 543, 601, 602,
D7/701, 705, 708, 630, 647, 653, 664, 642,
D7/354, 356, 360, 376, 380, 669, 682, 688,
D7/686, 683, 553.4, 553.7, 396.1; D9/430-433;
D24/220, 221, 224, 132, 216; 206/821, 822;
101/405; 435/288.3, 304.3; 30/1, 326
See application file for complete search history.

(56) **References Cited**

U.S. PATENT DOCUMENTS

982,351 A	*	1/1911	Cree	206/19
1,199,987 A	*	10/1916	Husted	206/19
D188,286 S	*	6/1960	Hassey	D7/707
3,162,344 A	*	12/1964	Sabol	294/143
3,964,629 A	*	6/1976	McCabe	220/23.86
D292,161 S	*	10/1987	Spolter et al.	D7/553.6
D292,363 S	*	10/1987	Oh	D7/360
D308,799 S	*	6/1990	Yamada et al.	D7/359
D370,390 S	*	6/1996	Chudgar	D7/555
D378,038 S	*	2/1997	Gaines	D7/551.1

D391,440 S	*	3/1998	Cousins	D7/360
D393,775 S	*	4/1998	Otero	D7/553.6
D459,950 S	*	7/2002	Bush et al.	D7/553.6
D469,659 S	*	2/2003	Gale	D7/553.6
D529,764 S	*	10/2006	Schalk et al.	D7/553.6

* cited by examiner

Primary Examiner—Charles A. Rademaker

Assistant Examiner—Charles Hanson

(74) *Attorney, Agent, or Firm*—Elsie C. Turner

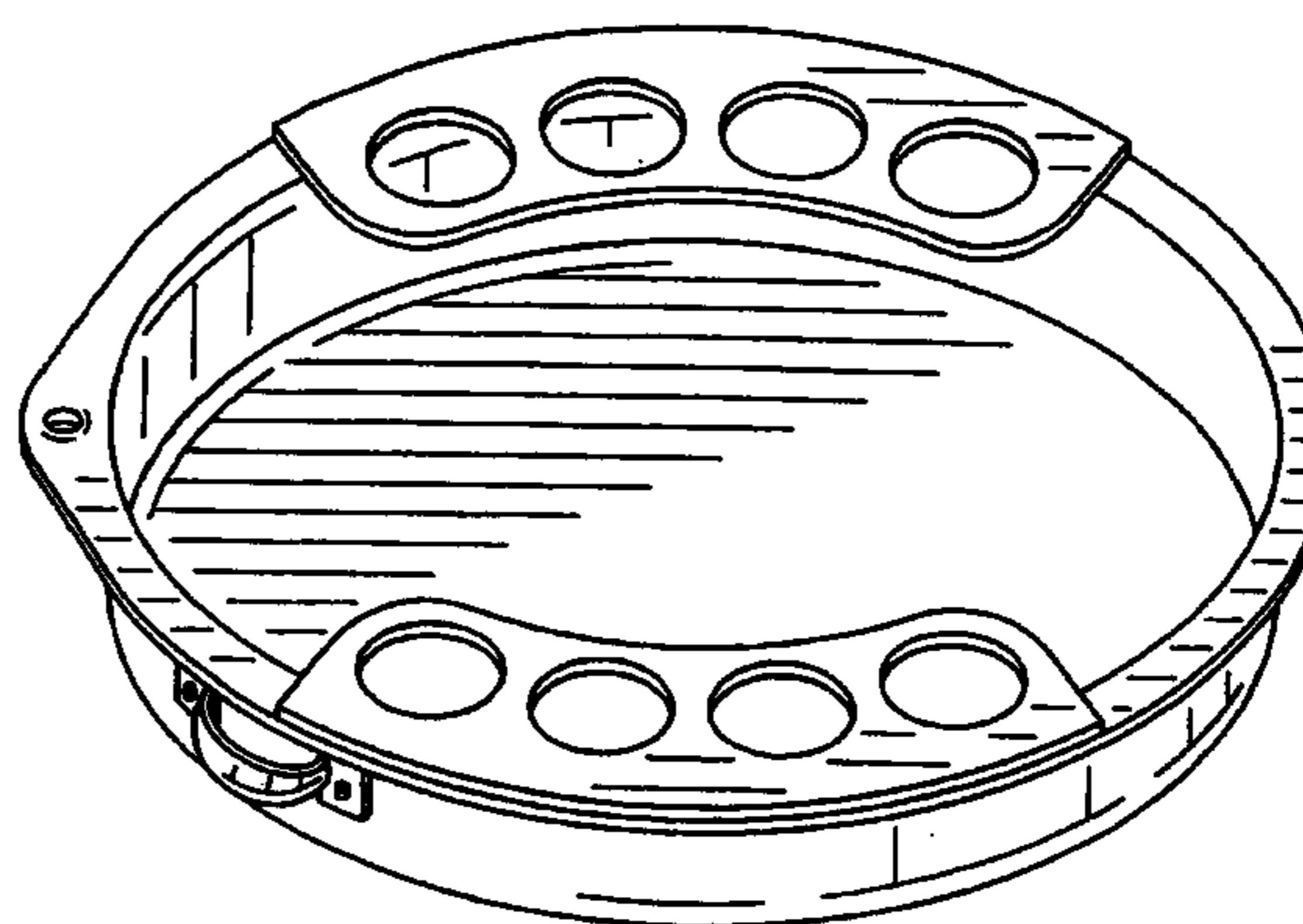
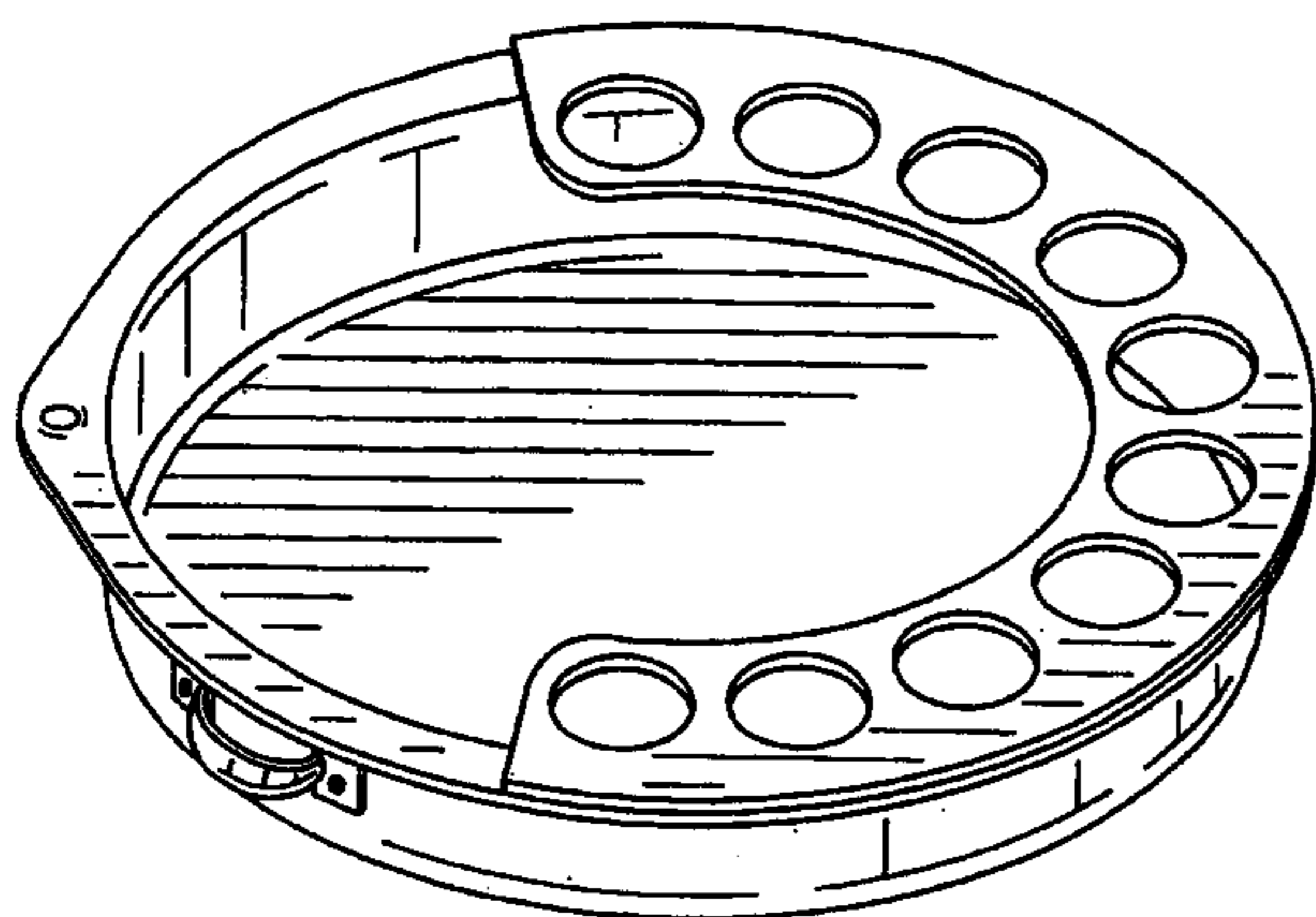
(57) **CLAIM**

The ornamental design for a bus tray, as shown and described.

DESCRIPTION

FIG. 1 is a perspective view of a bus tray showing my new design;
 FIG. 2 is a side elevation view thereof, the opposite side being a mirror image;
 FIG. 3 is a front elevational view thereof;
 FIG. 4 is a rear elevational view thereof;
 FIG. 5 is a top plan view thereof;
 FIG. 6 is a bottom plan view thereof;
 FIG. 7 is a perspective view of a modified embodiment thereof;
 FIG. 8 is a side elevation view thereof, the opposite side being a mirror image;
 FIG. 9 is front elevational view thereof;
 FIG. 10 is a rear elevational view thereof; and,
 FIG. 11 is a top plan view thereof, it being understood that the bottom plan view is exactly the same as FIG. 6.

1 Claim, 4 Drawing Sheets



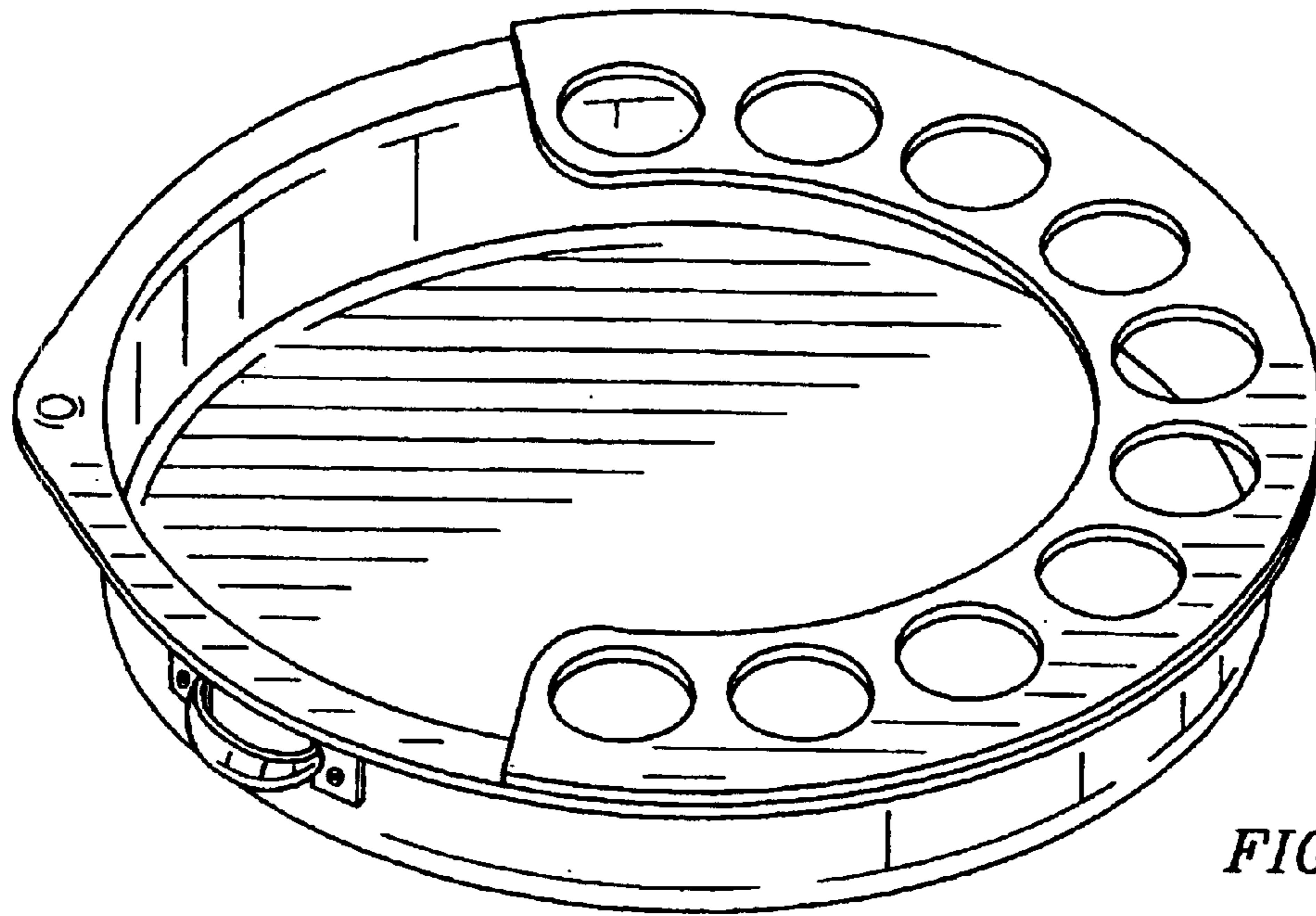


FIG. 1

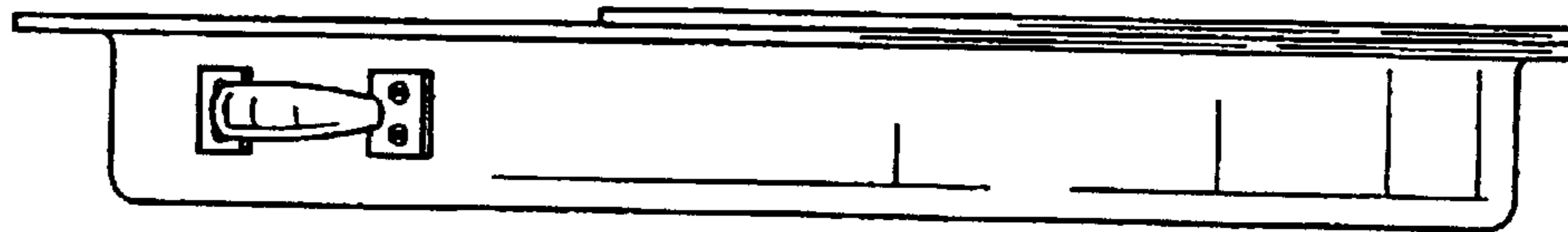


FIG. 2

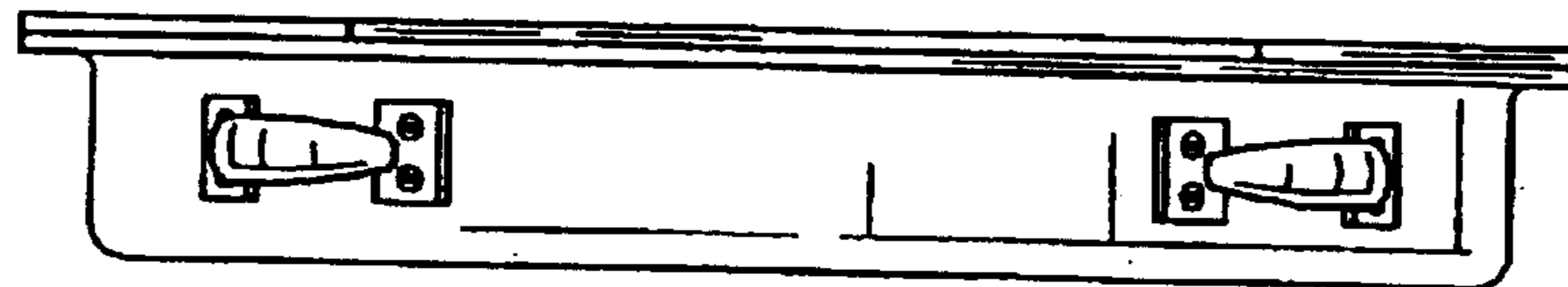


FIG. 3

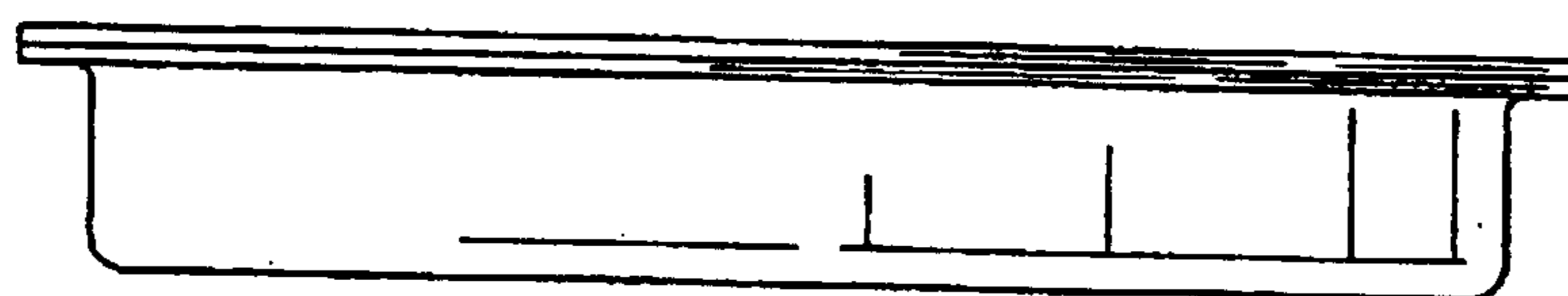


FIG. 4

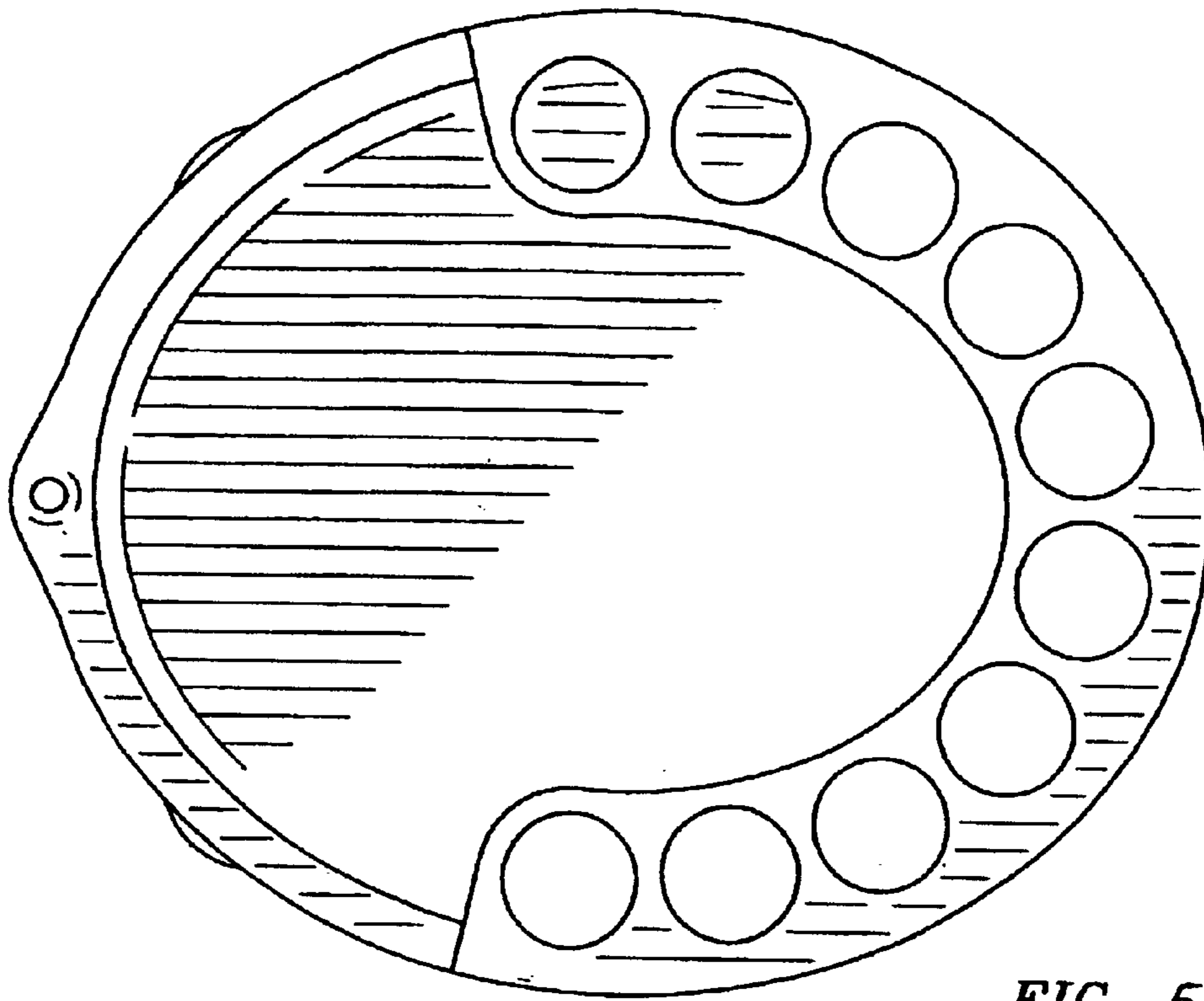


FIG. 5

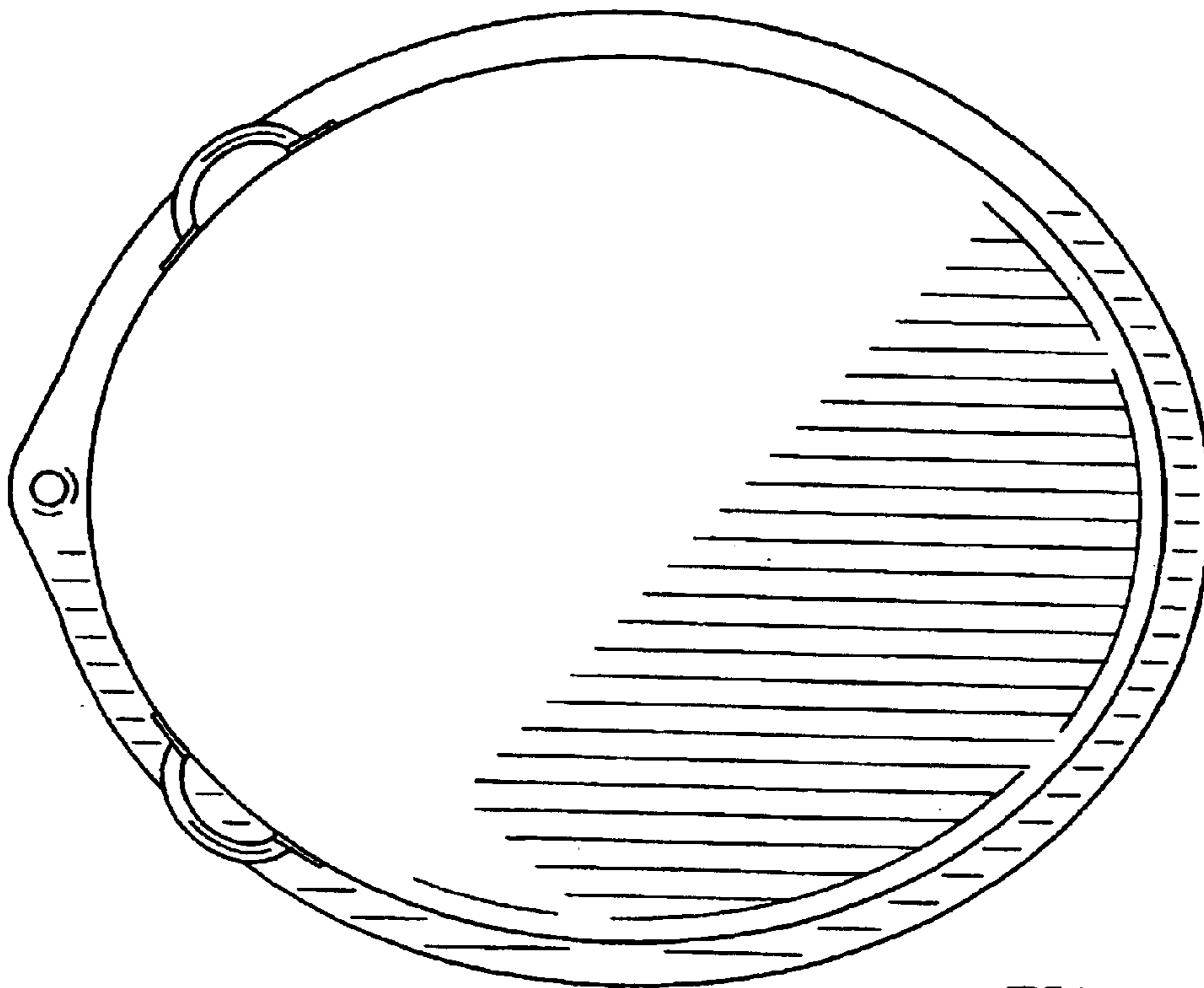


FIG. 6

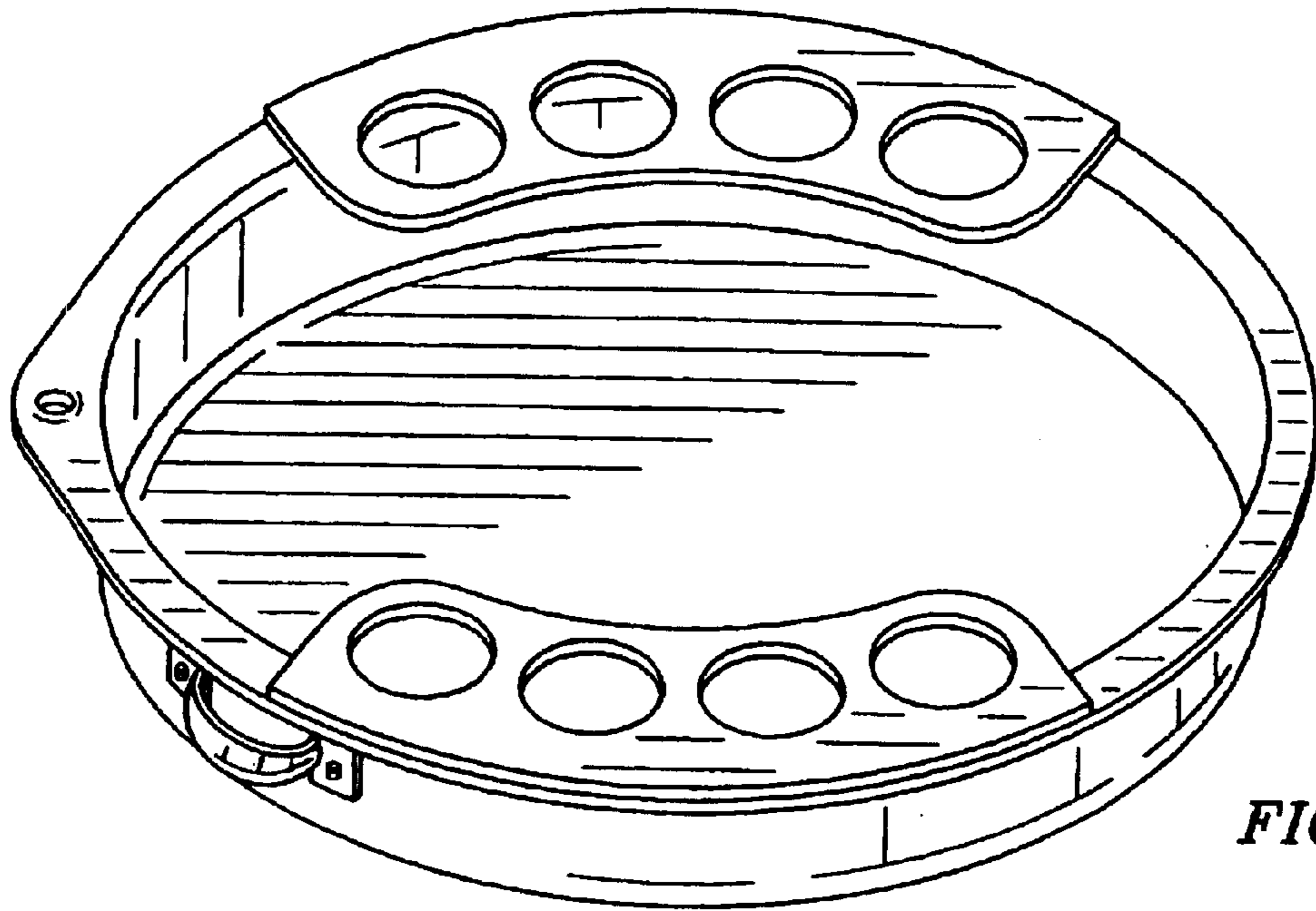


FIG. 7

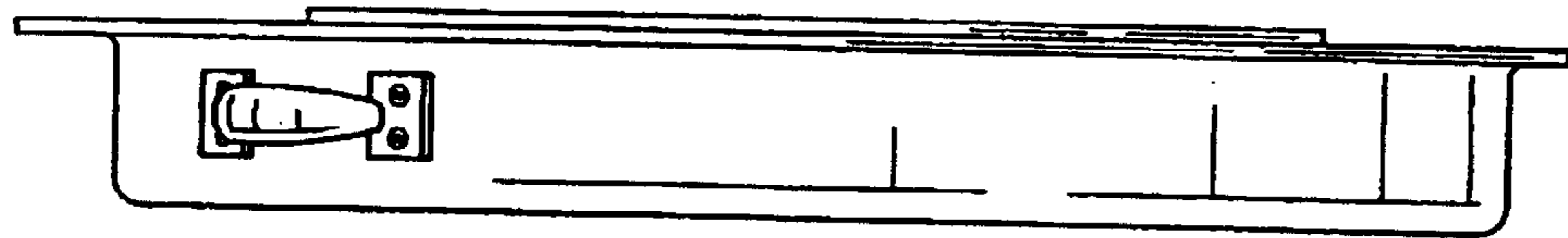


FIG. 8

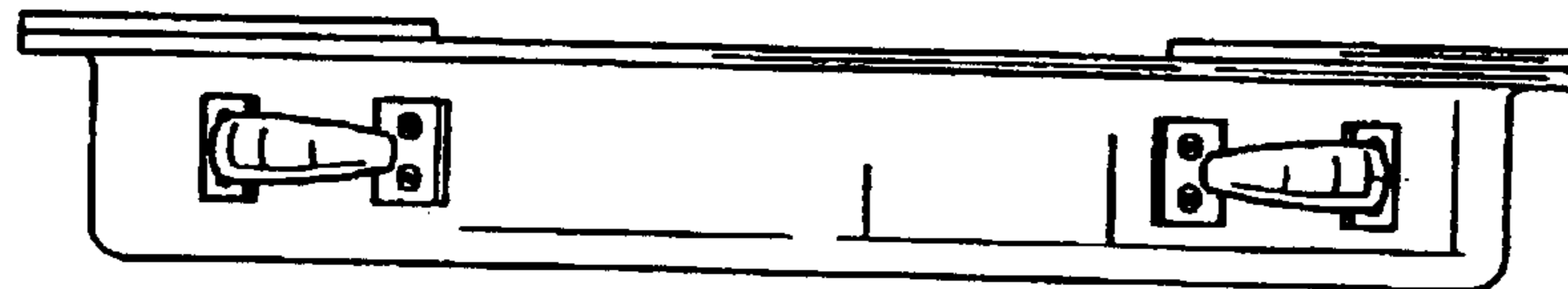


FIG. 9

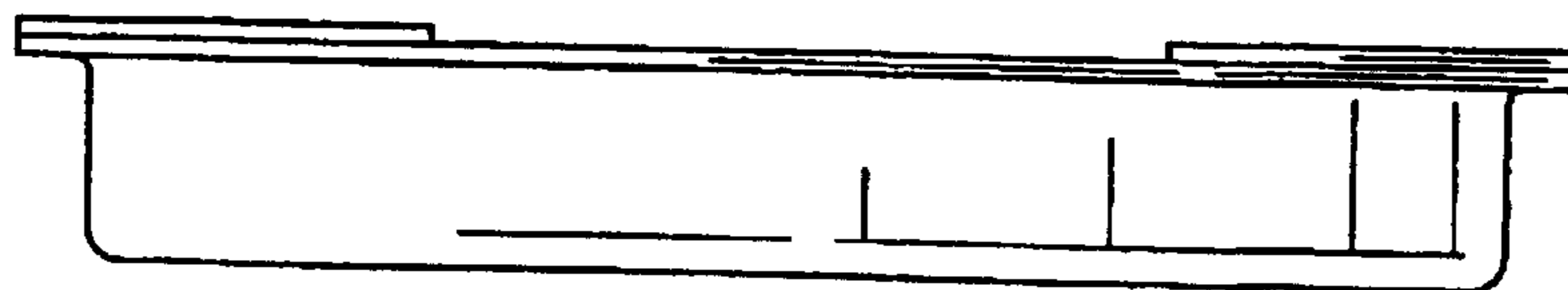


FIG. 10

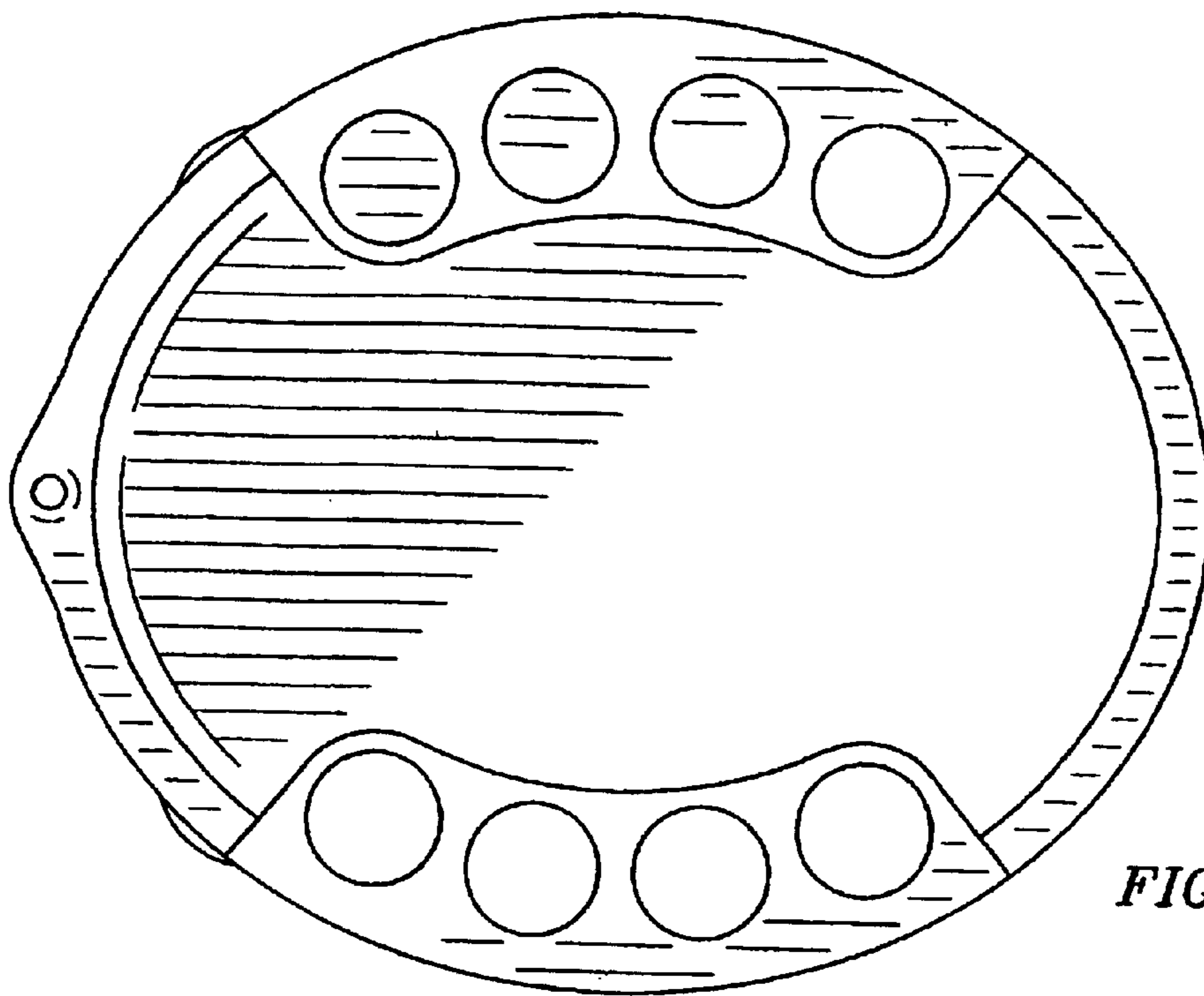


FIG. 11