



US00D542599S

(12) **United States Design Patent**
Tien

(10) **Patent No.:** **US D542,599 S**

(45) **Date of Patent:** **** May 15, 2007**

(54) **MUG**

(75) Inventor: **Kuang-Hsia Tien**, Pasadena, CA (US)

(73) Assignee: **Sweda Co., LLC**, Monrovia, CA (US)

(**) Term: **14 Years**

(21) Appl. No.: **29/233,728**

(22) Filed: **Jul. 9, 2005**

(51) **LOC (8) Cl.** **07-01**

(52) **U.S. Cl.** **D7/523; D7/509; D7/533**

(58) **Field of Classification Search** D7/507,
D7/509, 523, 532, 533; 215/387, DIG. 7;
220/703, 592.16, 592.17; 206/520; 229/400;
D9/773, 778, 503, 516

See application file for complete search history.

(56) **References Cited**

U.S. PATENT DOCUMENTS

47,800 A	*	5/1865	Pick	100/285
D218,288 S	*	8/1970	Hilliard	D9/773
D231,773 S	*	6/1974	Mascia	D9/776
5,605,089 A	*	2/1997	Yu	99/306
D433,876 S	*	11/2000	Freed	D7/532
D436,296 S	*	1/2001	Freed	D7/523
D437,229 S	*	2/2001	Andrew	D9/516
D437,230 S	*	2/2001	Andrew	D9/516
D464,849 S	*	10/2002	Norris et al.	D7/523
D472,101 S	*	3/2003	Janky	D7/532
D474,077 S	*	5/2003	Hatsumoto	D7/608

D475,891 S	*	6/2003	Bin	D7/510
D479,437 S	*	9/2003	Gluck	D7/523
D482,933 S	*	12/2003	Norris et al.	D7/533
D483,995 S	*	12/2003	Otake	D7/523
D502,396 S	*	3/2005	Frisch et al.	D9/503
D531,856 S	*	11/2006	Seum et al.	D7/523

* cited by examiner

Primary Examiner—M. N. Pandozzi

(74) *Attorney, Agent, or Firm*—Clement Cheng

(57) **CLAIM**

The ornamental design for a mug, as shown and described.

DESCRIPTION

FIG. 1 is a perspective view of the mug.

FIG. 2 is a top view.

FIG. 3 is a bottom view.

FIG. 4 is a side view with the handle facing away from the viewer.

FIG. 5 is a side view with the handle facing the viewer.

FIG. 6 is a side view with the handle to the right.

FIG. 7 is a perspective view of the mug without the broken line handle;

FIG. 8 is a top perspective view thereof;

FIG. 9 is a bottom view thereof;

FIG. 10 is a front view thereof; and,

FIG. 11 is a rear view thereof.

The broken line showing of a handle and lid is for illustrative purposes only and forms no part of the claimed design.

1 Claim, 5 Drawing Sheets

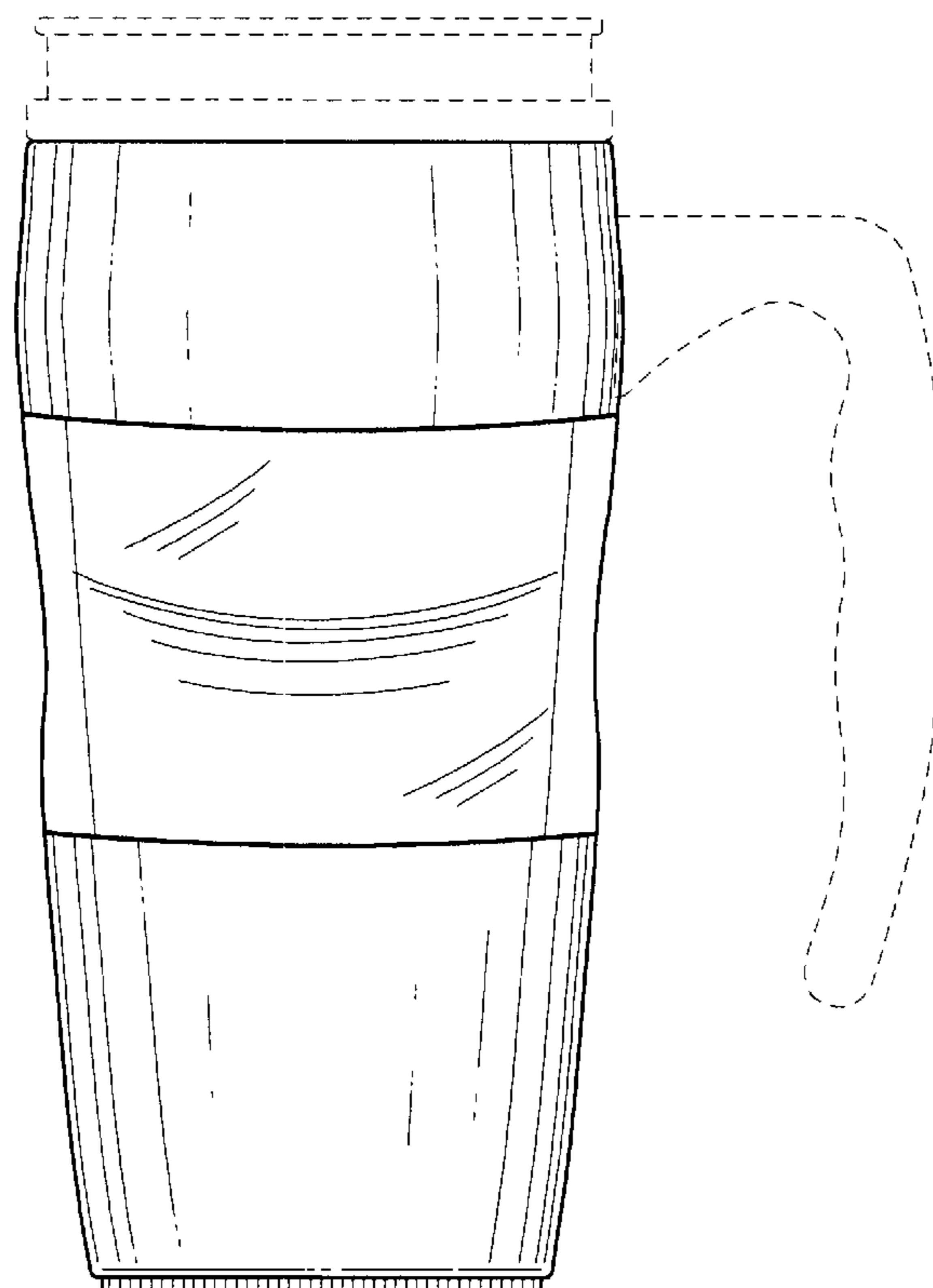




Fig.1

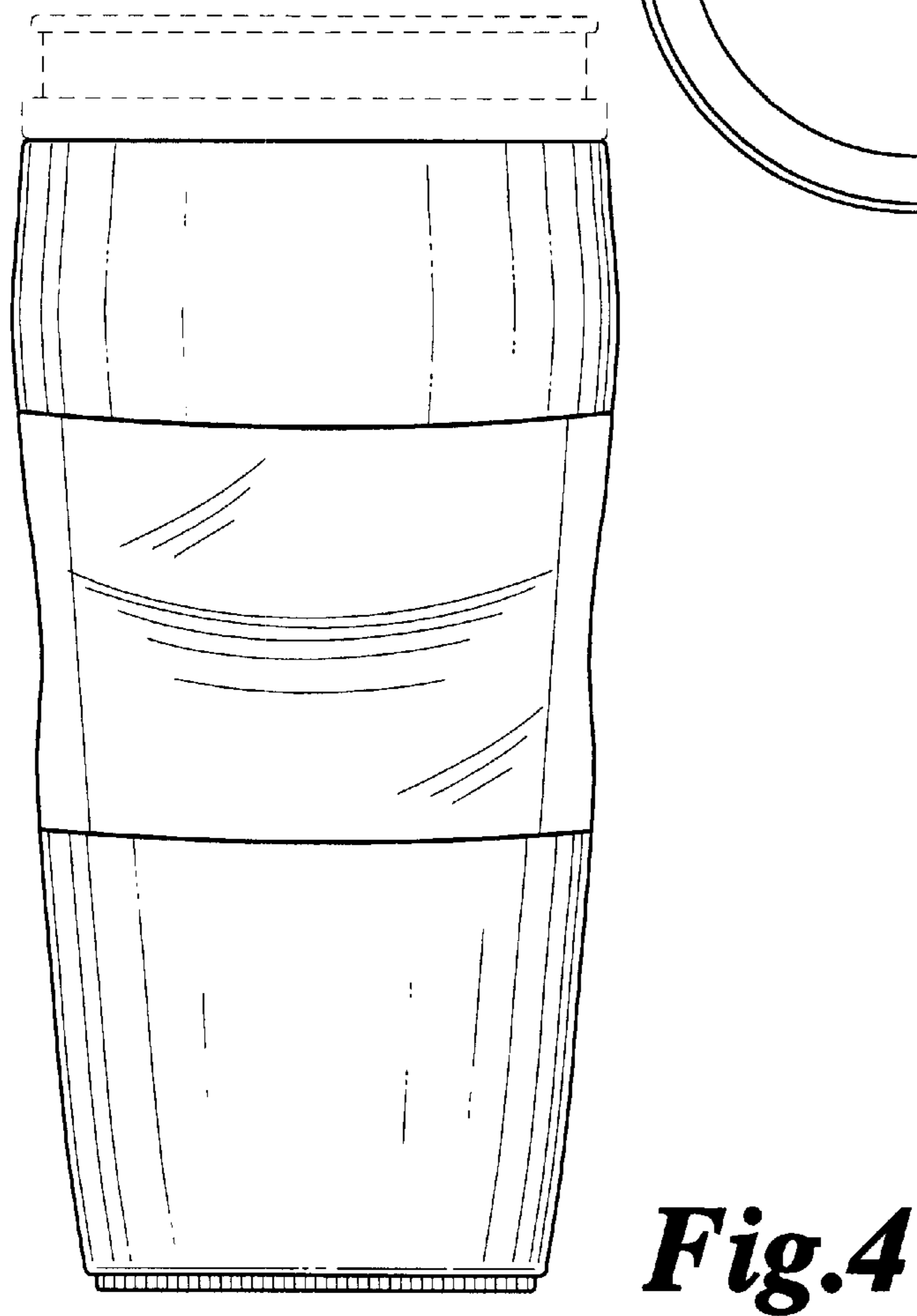
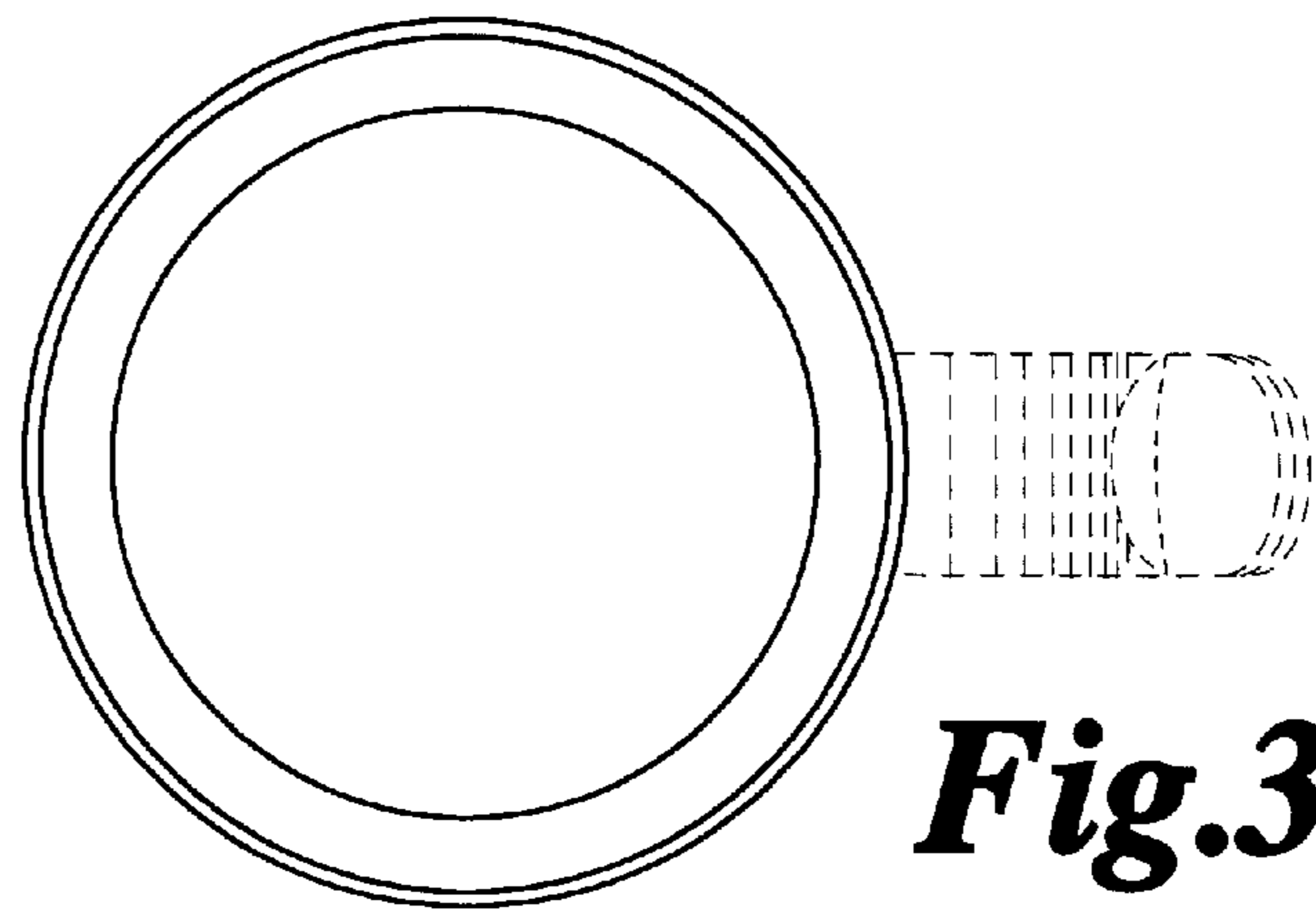
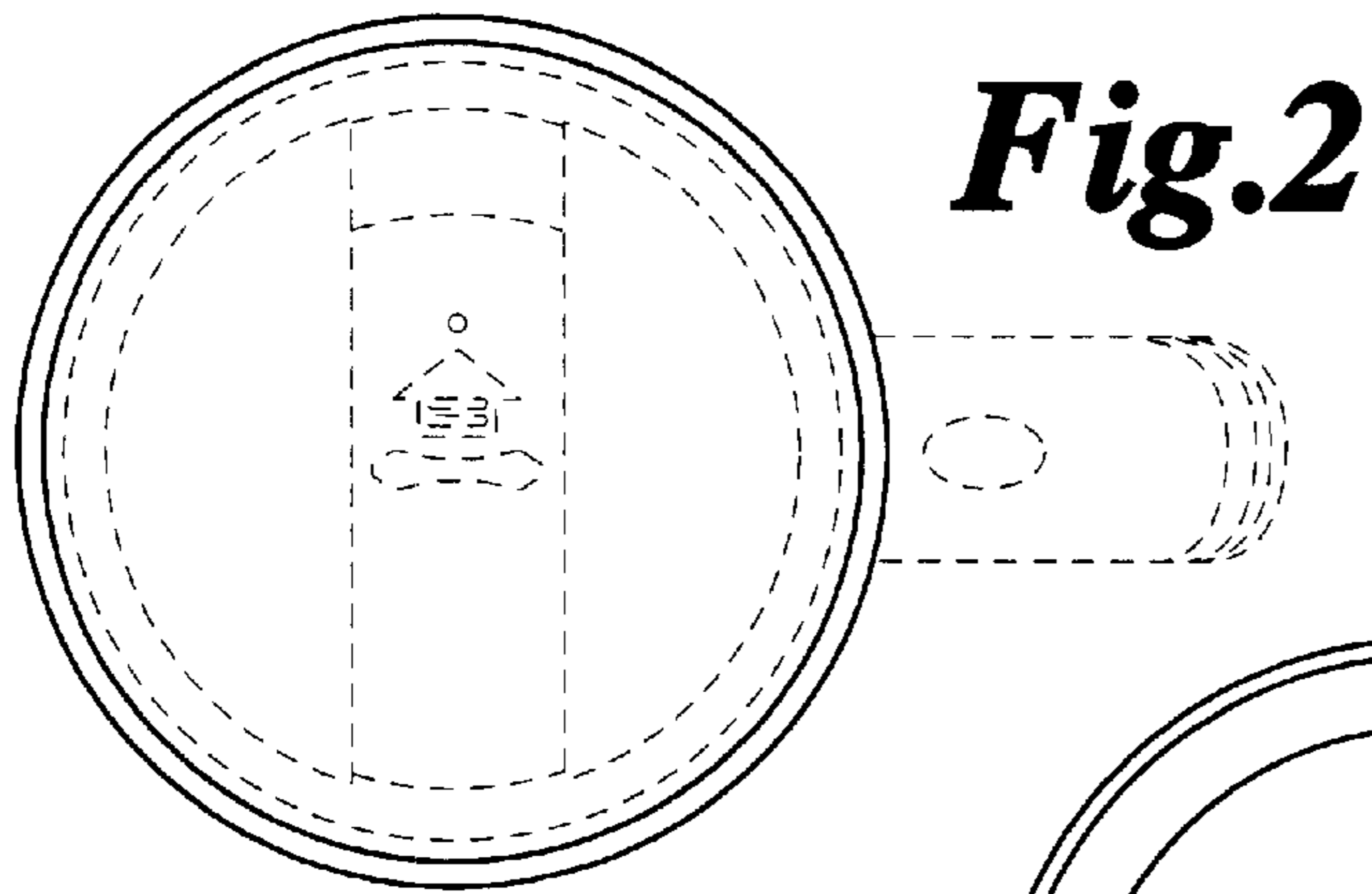


Fig.5

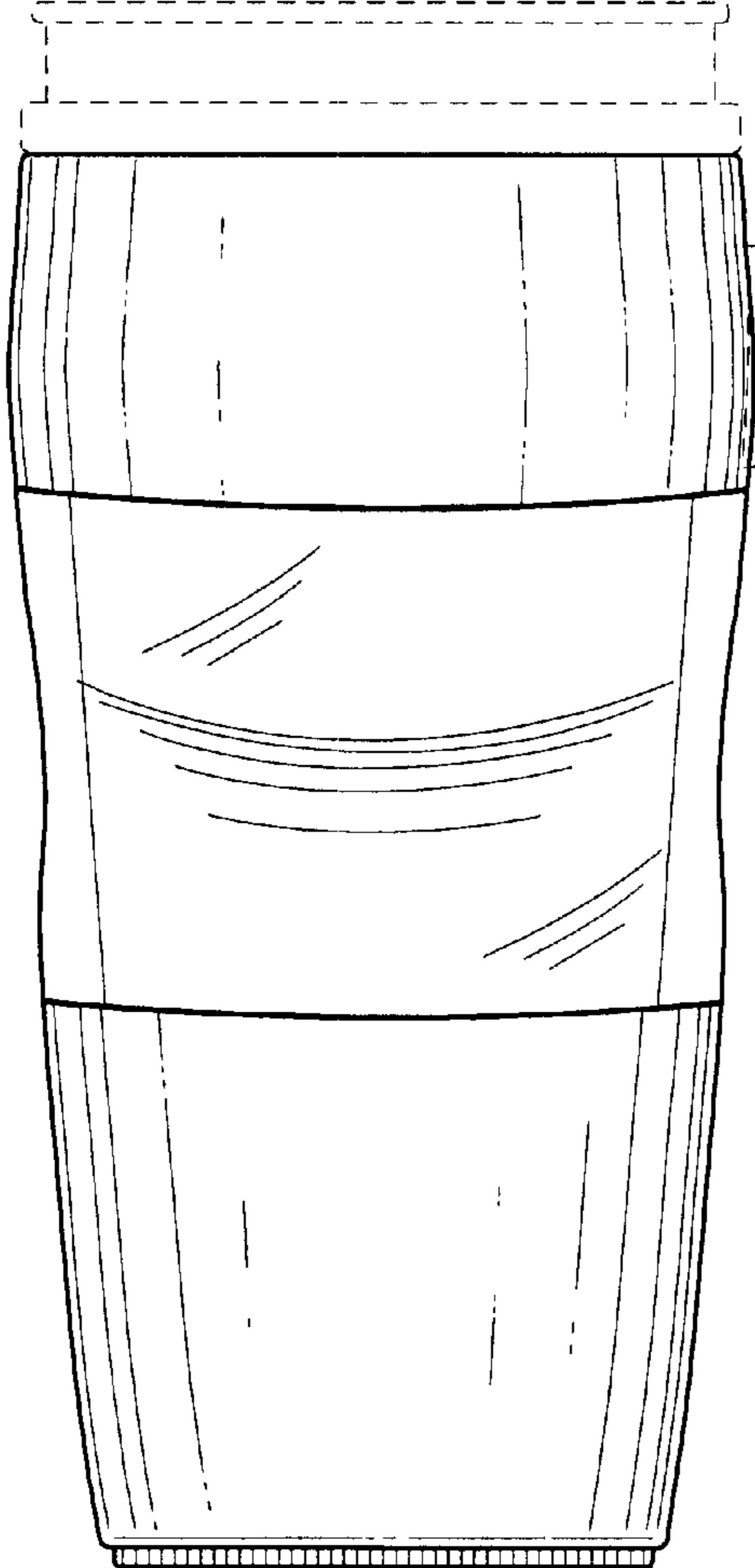
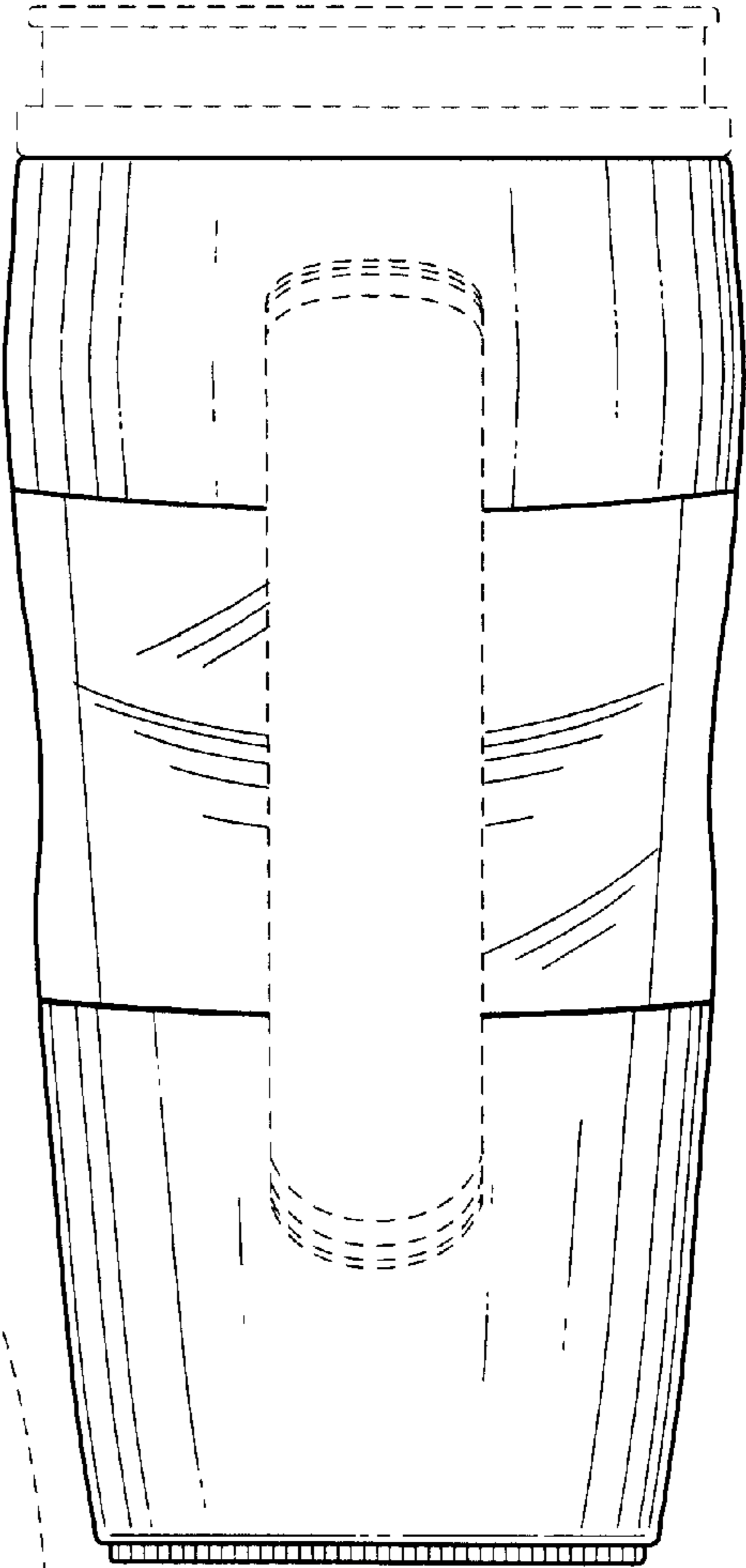


Fig.6

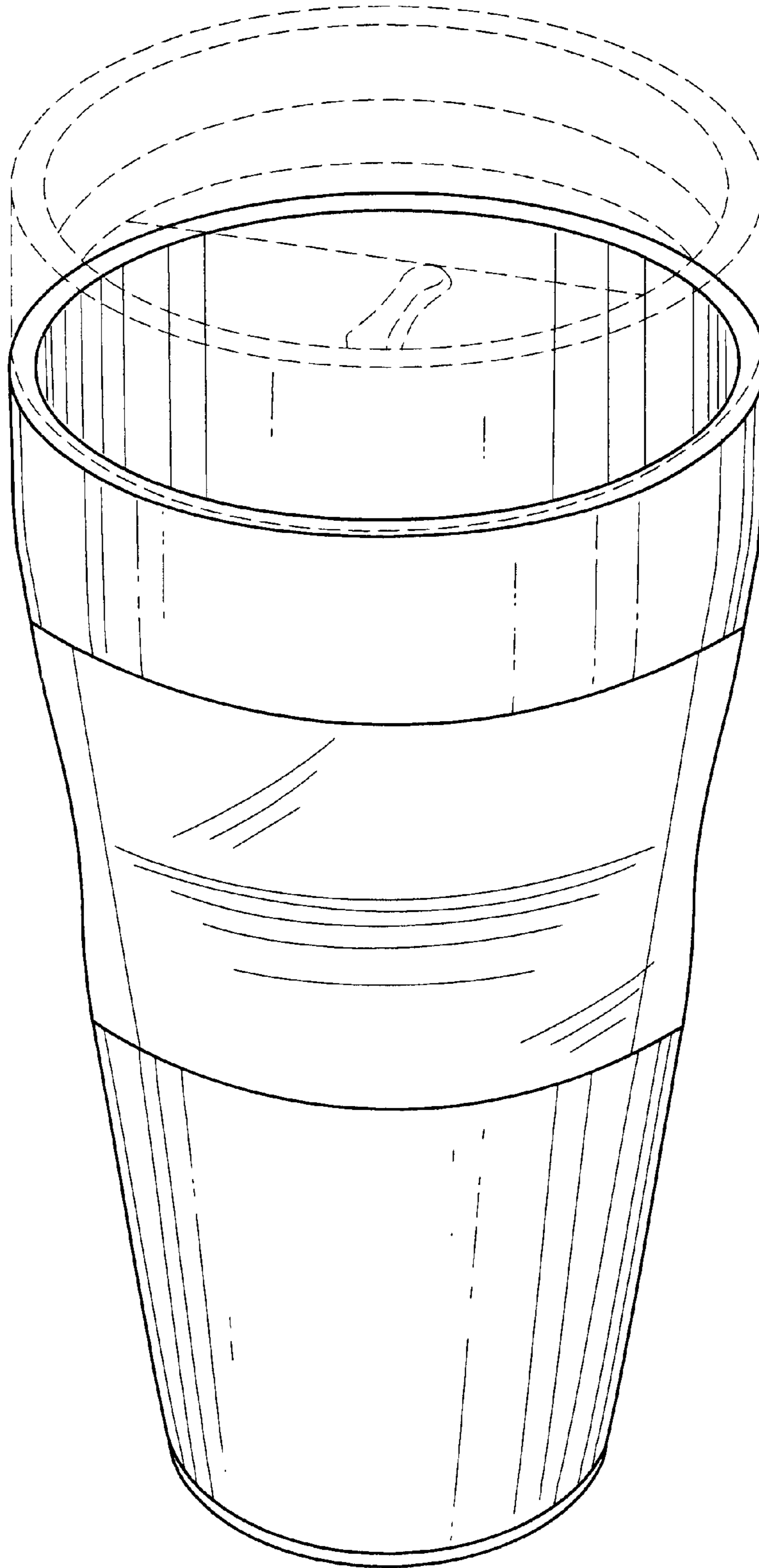


Fig. 7

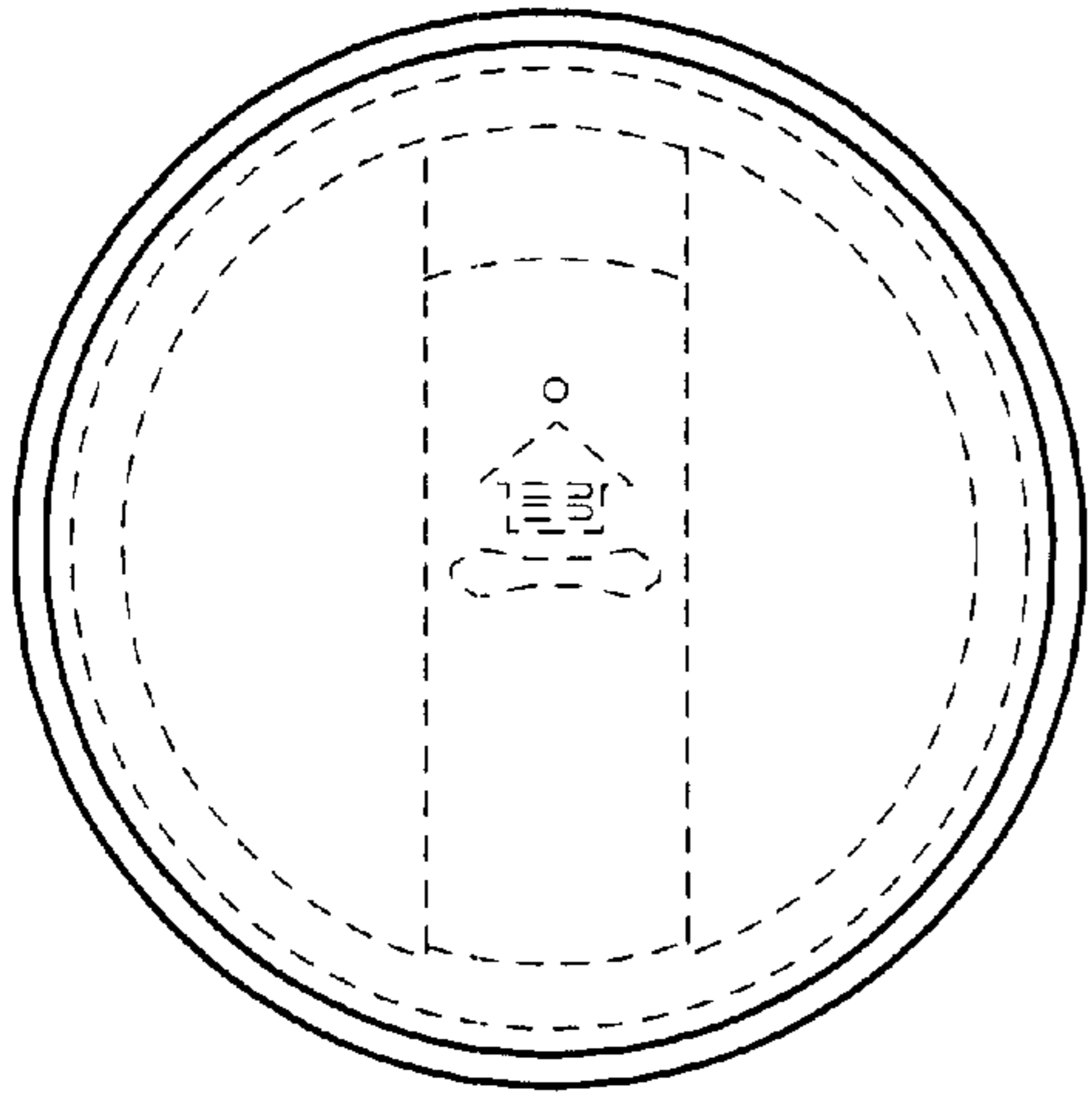


Fig.8

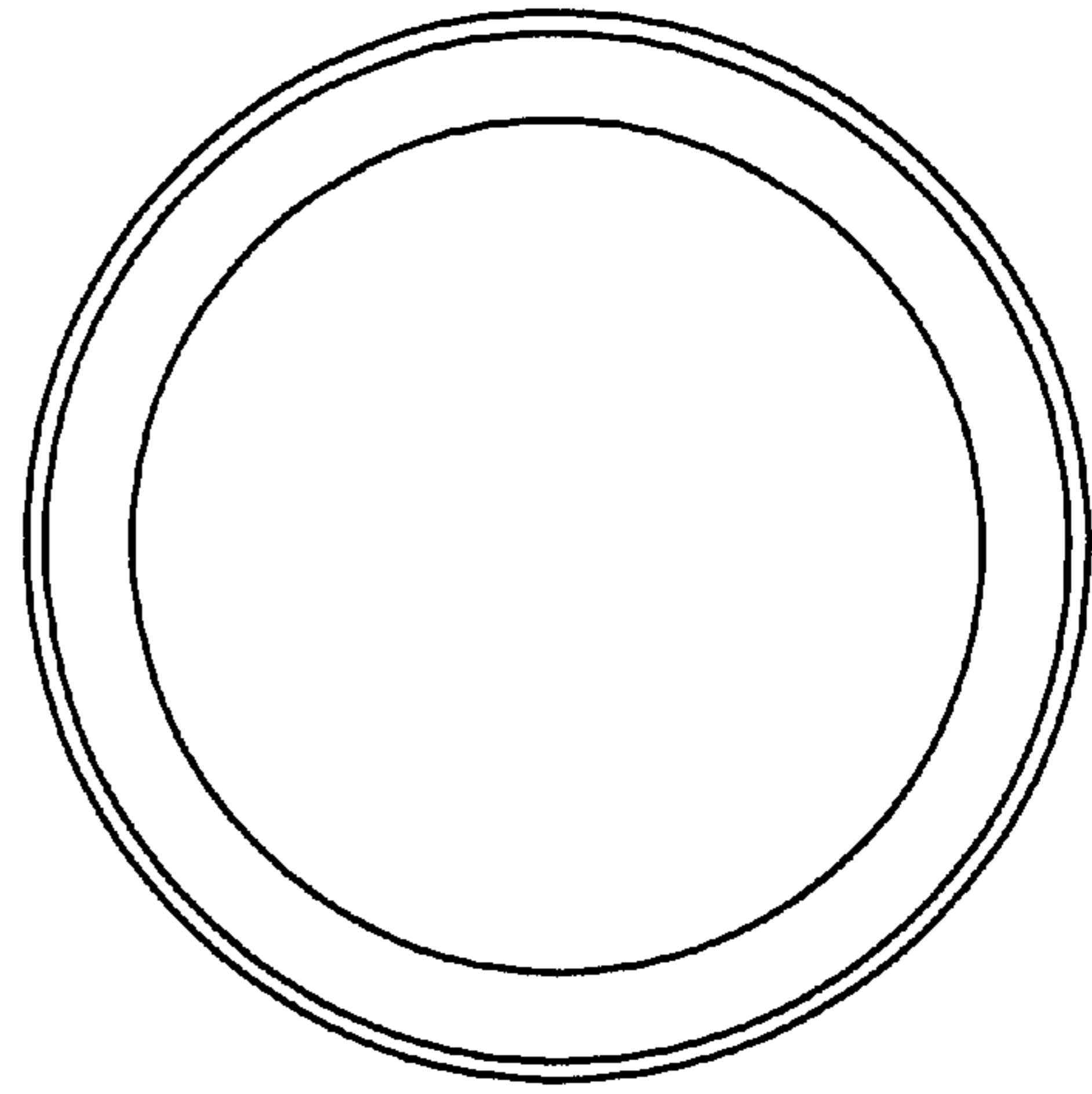


Fig.9

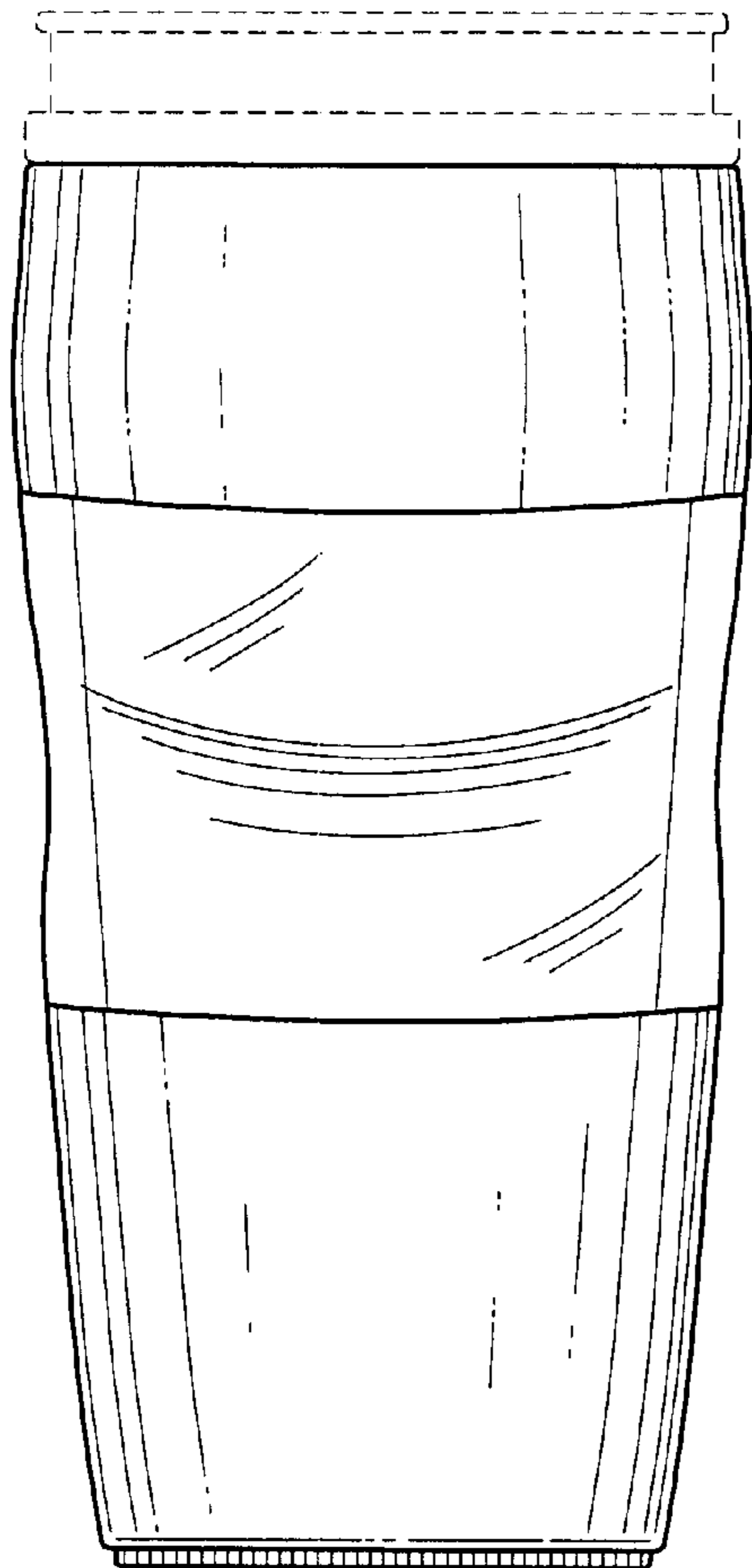


Fig.10

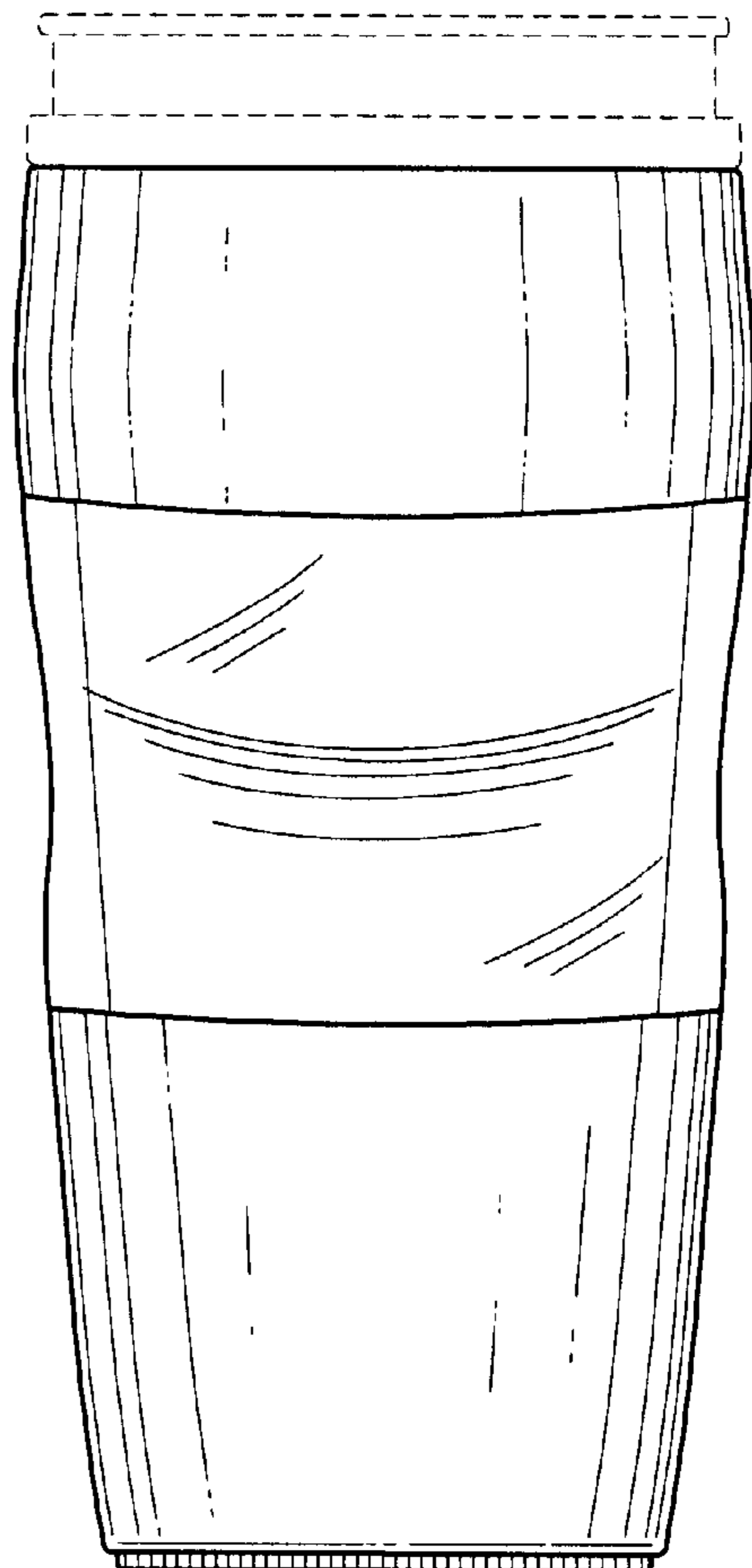


Fig.11