

US00D542595S

(12) **United States Design Patent**
Jara-Almonte et al.

(10) **Patent No.:** **US D542,595 S**

(45) **Date of Patent:** **** May 15, 2007**

(54) **SHREDDER PLATE FOR FOOD WASTE DISPOSER**

(75) Inventors: **Cynthia C Jara-Almonte**, Kenosha, WI (US); **Thomas R Berger**, Racine, WI (US); **Richard A Junk**, Elkhorn, WI (US)

(73) Assignee: **Emerson Electric Co.**, St. Louis, MO (US)

(**) Term: **14 Years**

(21) Appl. No.: **29/255,866**

(22) Filed: **Mar. 13, 2006**

(51) **LOC (8) Cl.** **31-00**

(52) **U.S. Cl.** **D7/375**

(58) **Field of Classification Search** D7/375,
D7/372; 4/DIG. 4, 629; 241/46.013, 46.014,
241/46.015, 46.016, 46.08

See application file for complete search history.

(56) **References Cited**

U.S. PATENT DOCUMENTS

3,026,050 A * 3/1962 Bebinger 241/46.08

4,134,555 A * 1/1979 Rosselet 241/46.013
D455,604 S * 4/2002 Brandel et al. D7/375
2004/0173697 A1 9/2004 Berger 241/46.013
2006/0011758 A1 1/2006 Hanson 241/46.013

OTHER PUBLICATIONS

U.S. Appl. No. 29/255,865, Jara-Almonte.

* cited by examiner

Primary Examiner—Catherine R. Oliver

(74) *Attorney, Agent, or Firm*—Locke Liddell & Sapp LLP

(57) **CLAIM**

The ornamental design for a shredder plate for a food waste disposer, as shown and described.

DESCRIPTION

FIG. 1 is a top perspective view of the shredder plate.

FIG. 2 is a bottom perspective view.

FIG. 3 is a top view.

FIG. 4 is a bottom view.

FIG. 5 is a first side view; and,

FIG. 6 is a second side view, showing the shredder plate rotated about a quarter-turn from the view shown in FIG. 5.

1 Claim, 3 Drawing Sheets

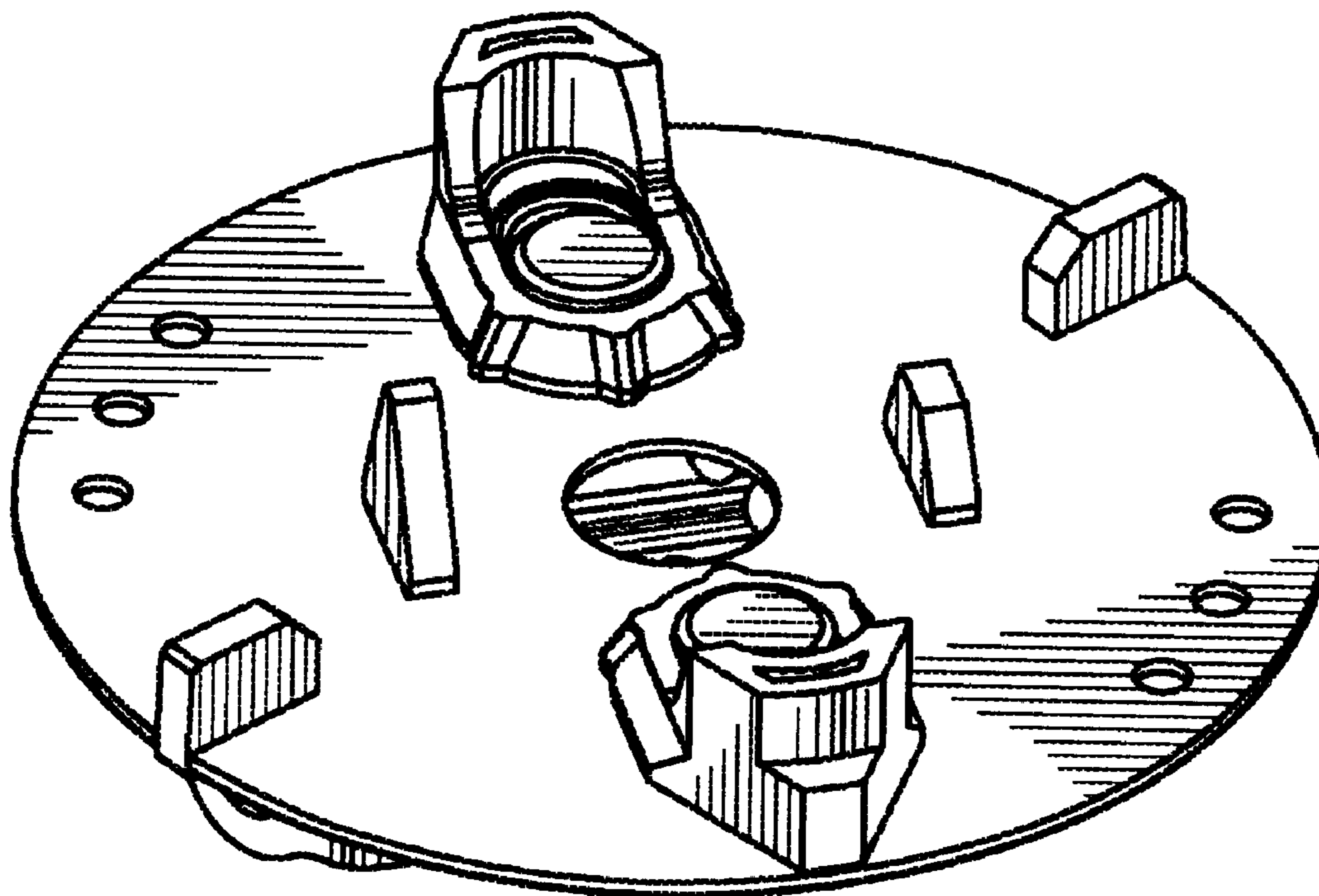


FIG. 1

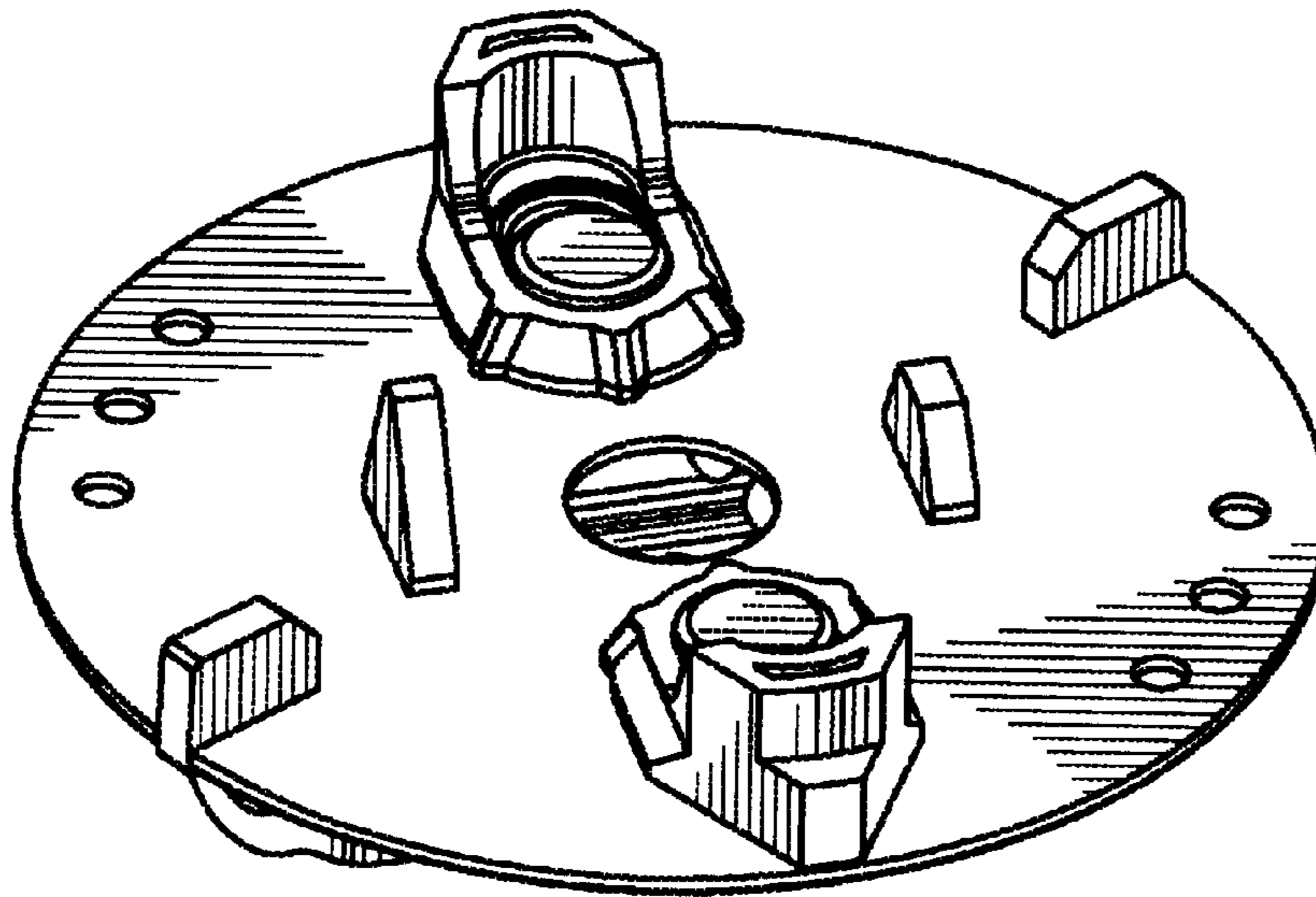


FIG. 2

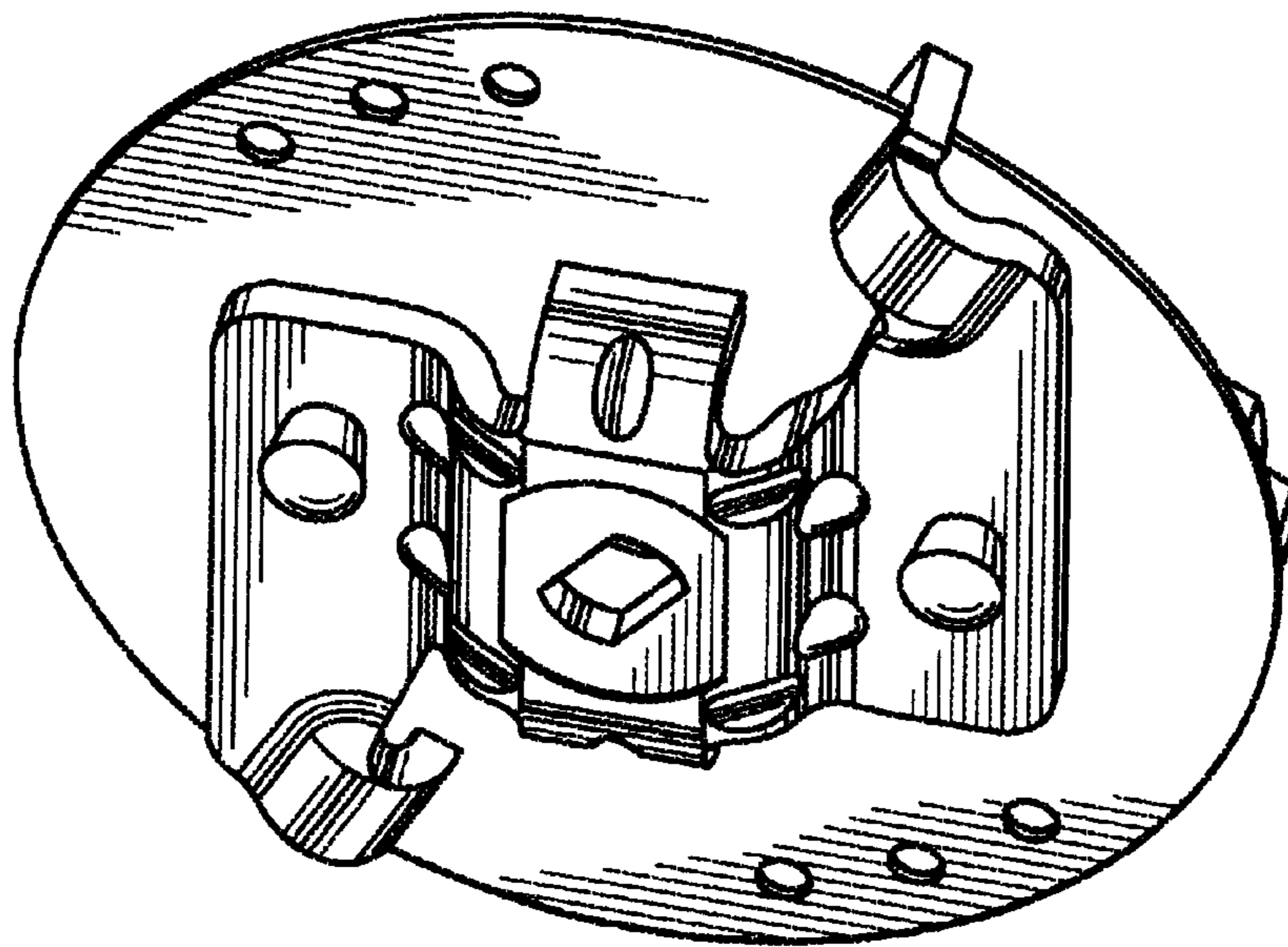


FIG. 3

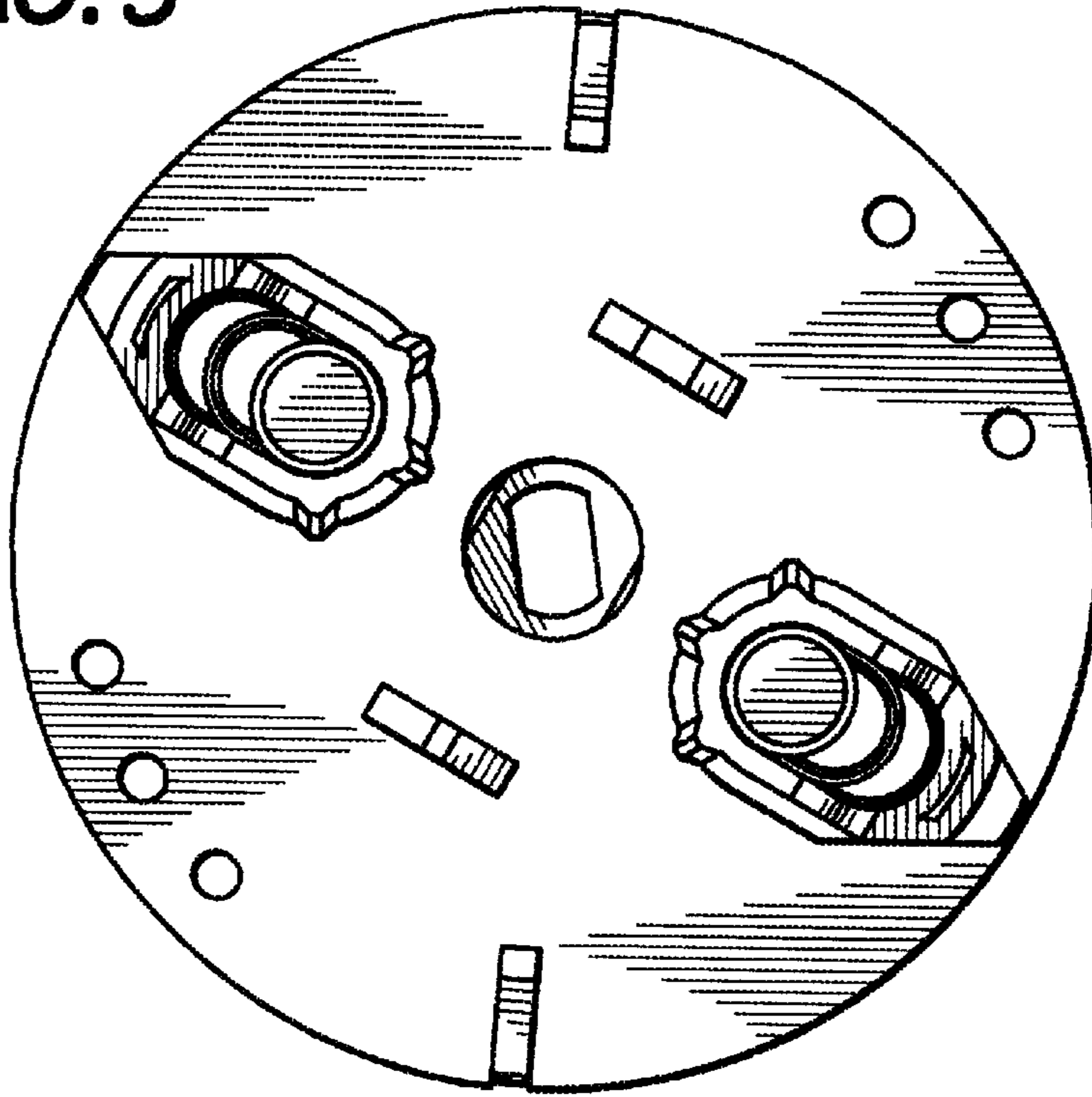


FIG. 4

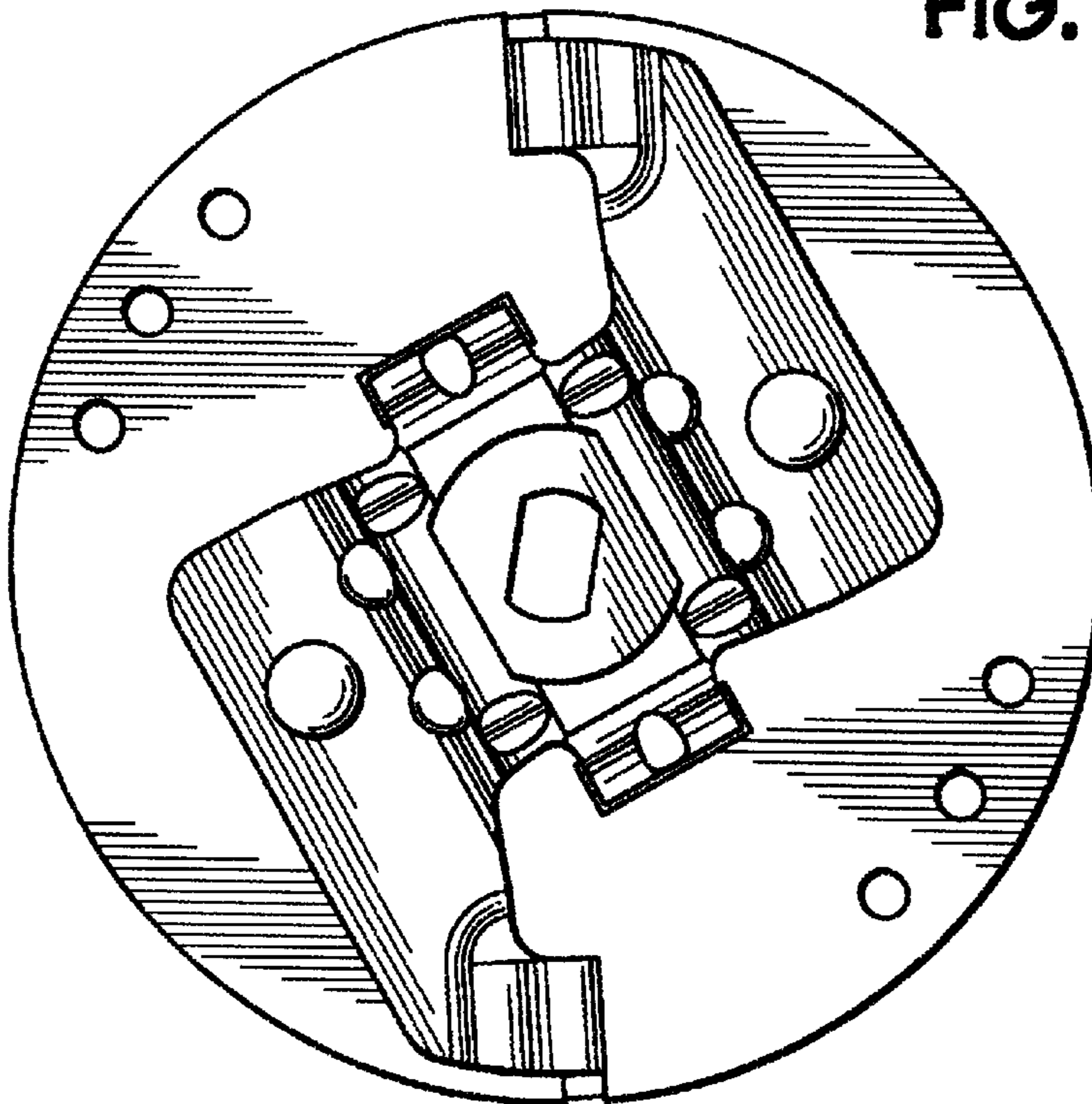


FIG. 5

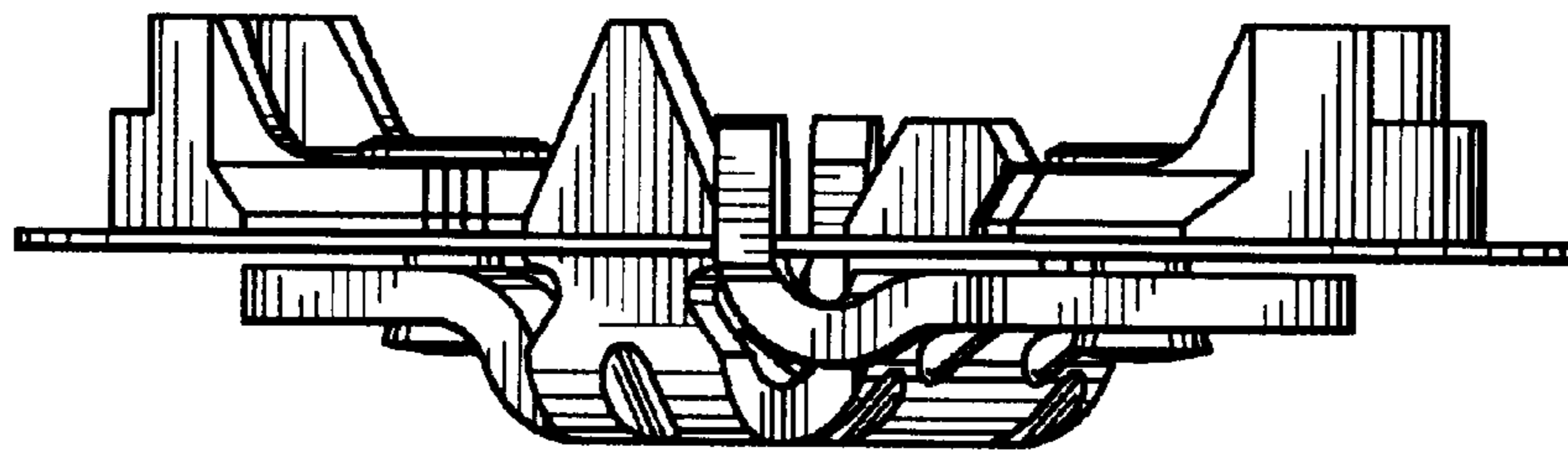


FIG. 6

