

US00D542592S

(12) **United States Design Patent**
Lubowicki

(10) **Patent No.:** **US D542,592 S**
(45) **Date of Patent:** **** May 15, 2007**

(54) **SKILLET**

(75) Inventor: **Jean-Pierre Lubowicki**, Gruffy (FR)

(73) Assignee: **Tefal** (FR)

(**) Term: **14 Years**

(21) Appl. No.: **29/260,831**

(22) Filed: **Jun. 2, 2006**

(30) **Foreign Application Priority Data**

Dec. 2, 2005 (FR) 05 5815

(51) **LOC (8) Cl.** **07-02**

(52) **U.S. Cl.** **D7/362**

(58) **Field of Classification Search** D7/355-357,
D7/360-367, 402-403, 550.1, 554.3, 554.4,
D7/558, 586-587, 305, 624.1, 624.2, 388,
D7/326, 332, 337; 126/33, 265, 275 E, 377.1;
219/428, 430, 439, 450.1, 465.1, 429, 432-433,
219/435, 521, 386, 622, 627; 99/339, 359,
99/325, 416, 422-423, 425, 447, 448, 467,
99/483

See application file for complete search history.

(56) **References Cited**

U.S. PATENT DOCUMENTS

D195,268 S * 5/1963 Reed et al. D7/360

D321,625 S * 11/1991 Dobson et al. D7/360
D358,737 S * 5/1995 Mendelson et al. D7/362
D359,652 S * 6/1995 Mendelson et al. D7/362
D366,592 S * 1/1996 Cesaroni et al. D7/360
D409,041 S * 5/1999 Barker D7/362
D437,183 S * 2/2001 Wong et al. D7/362
D444,667 S * 7/2001 Wong et al. D7/362
D505,045 S * 5/2005 Assmann D7/367

* cited by examiner

Primary Examiner—Ruth McInroy

(74) *Attorney, Agent, or Firm*—Robert F. Zielinski; Wolf, Block, Schorr and Solis-Cohen LLP

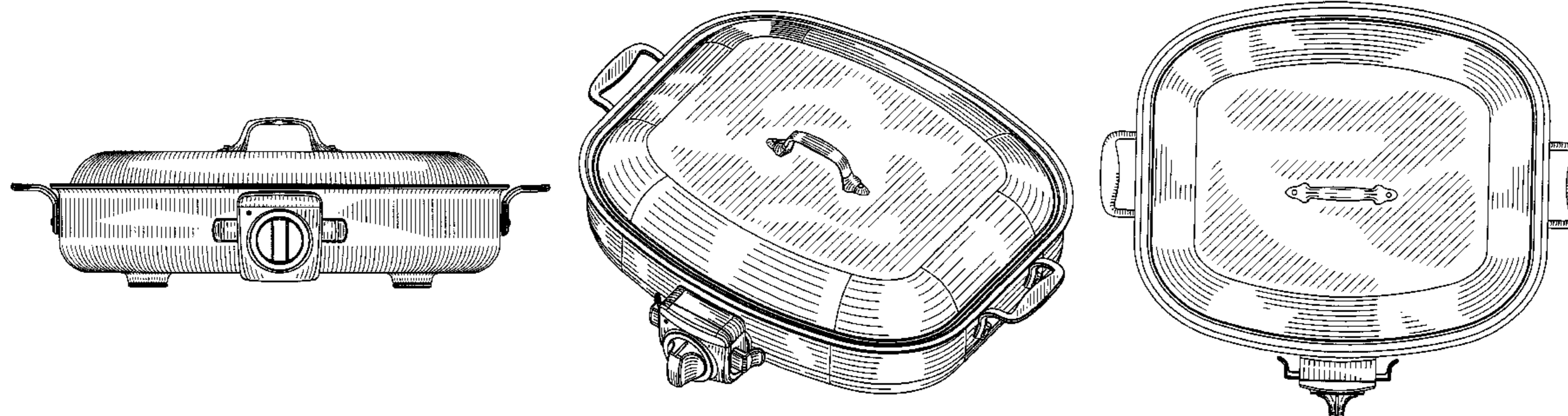
(57) **CLAIM**

I claim the ornamental design for a skillet, as shown and described.

DESCRIPTION

FIG. 1 is a front view of a skillet showing my new design;
FIG. 2 is a top perspective view thereof;
FIG. 3 is a bottom perspective view thereof;
FIG. 4 is a top view thereof;
FIG. 5 is a bottom view thereof;
FIG. 6 is a right side view thereof, the left side being a mirror image; and,
FIG. 7 is a rear view thereof.

1 Claim, 7 Drawing Sheets



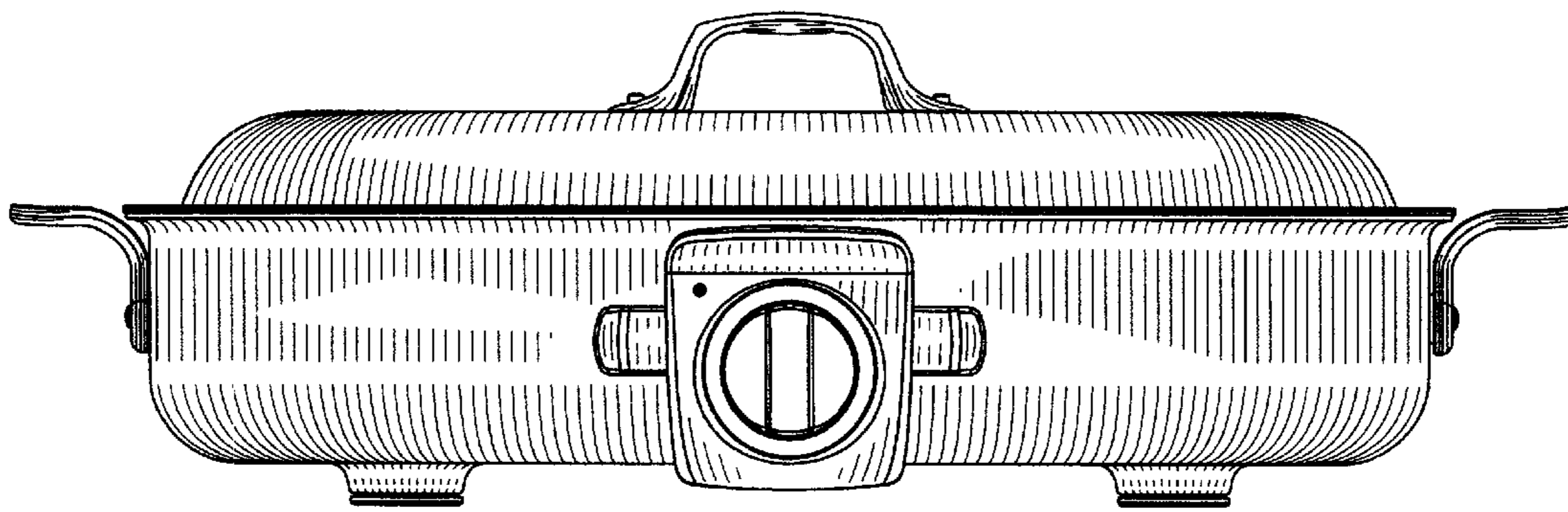


Fig. 1

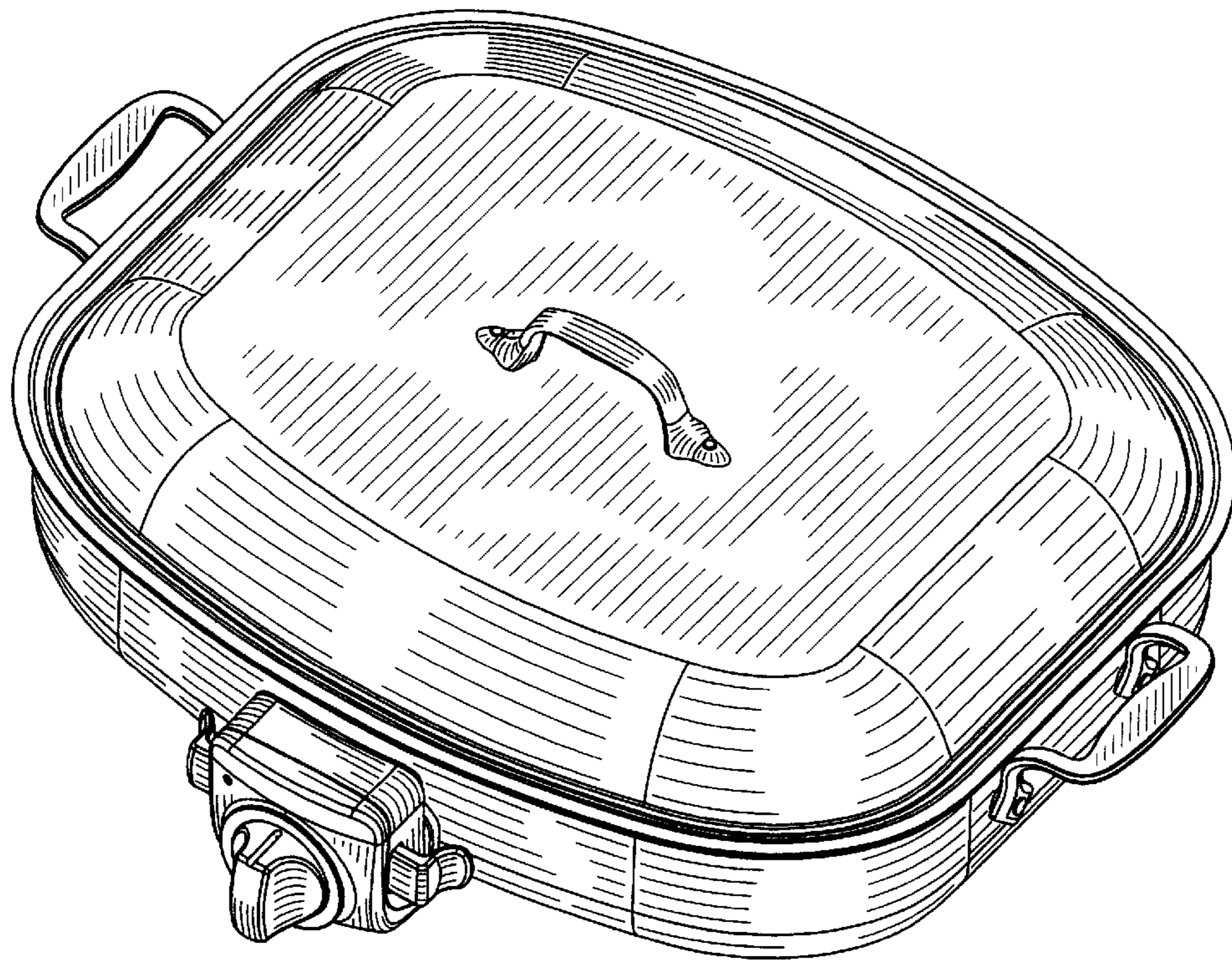


Fig. 2

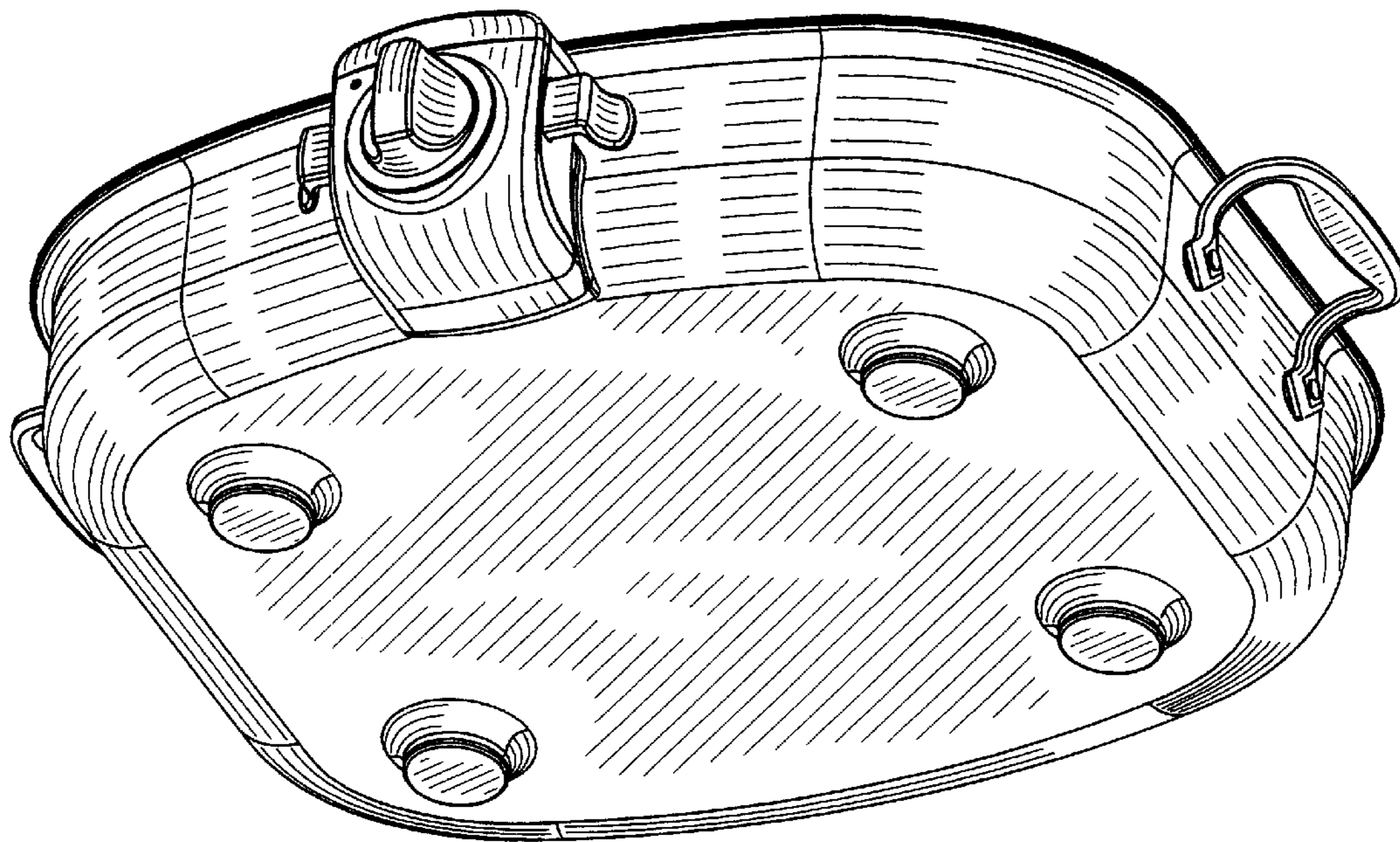


Fig. 3

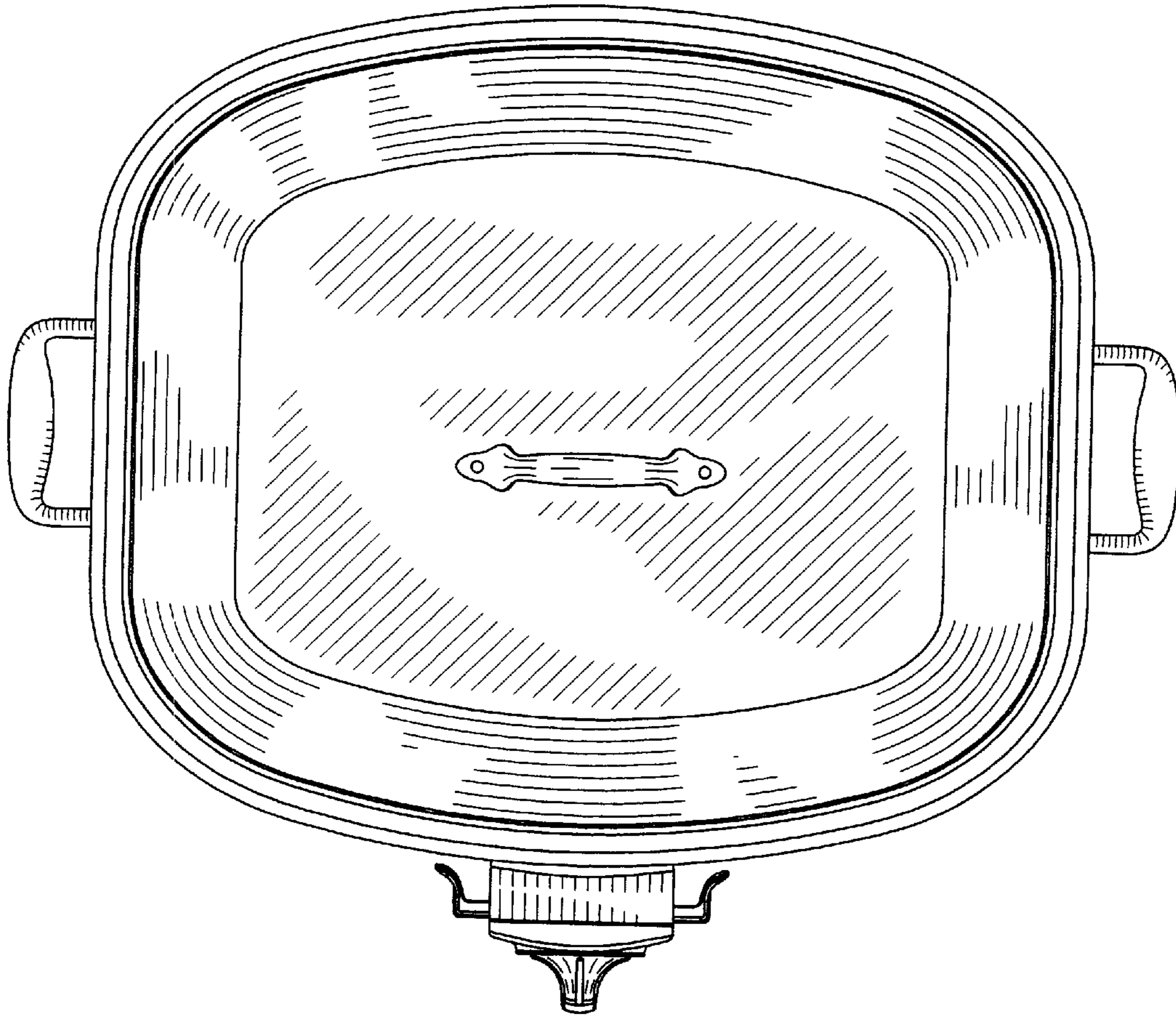


Fig. 4

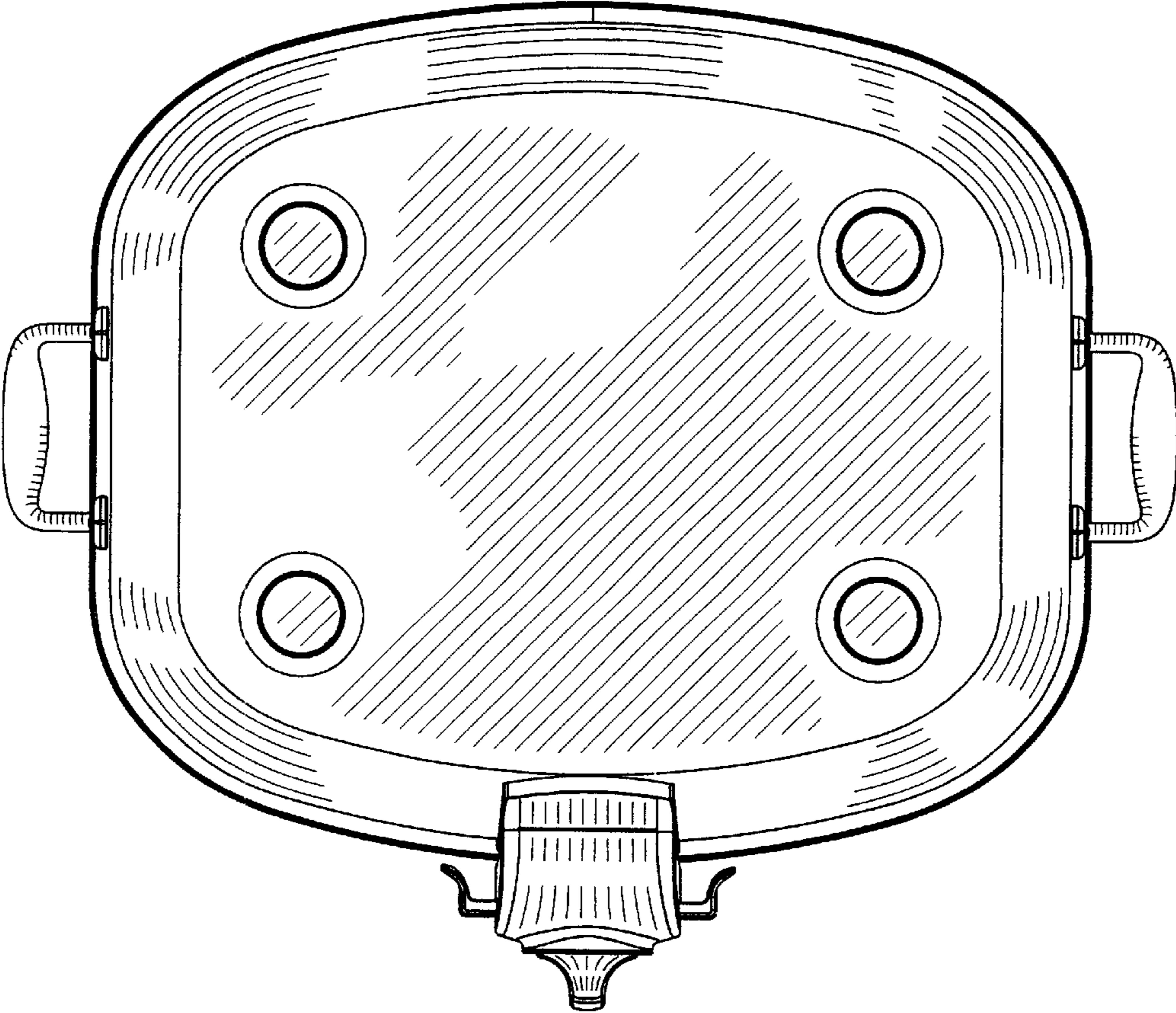


Fig. 5

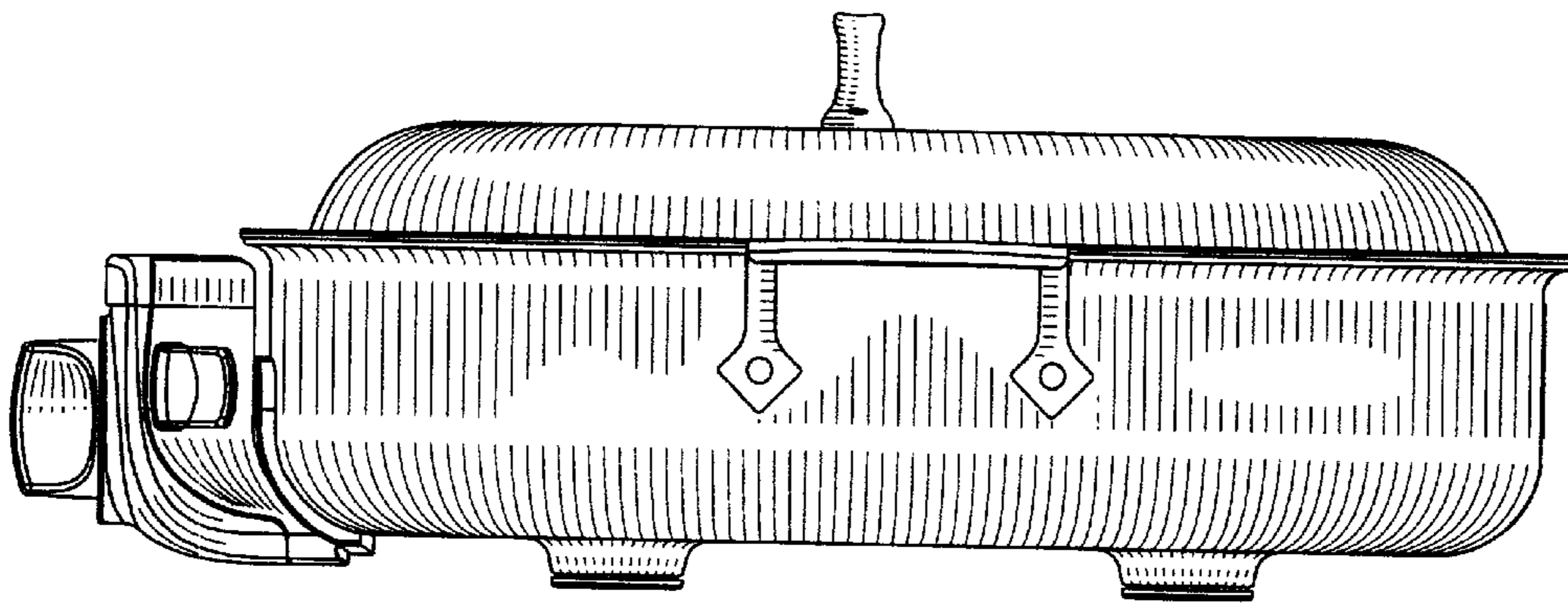


Fig. 6

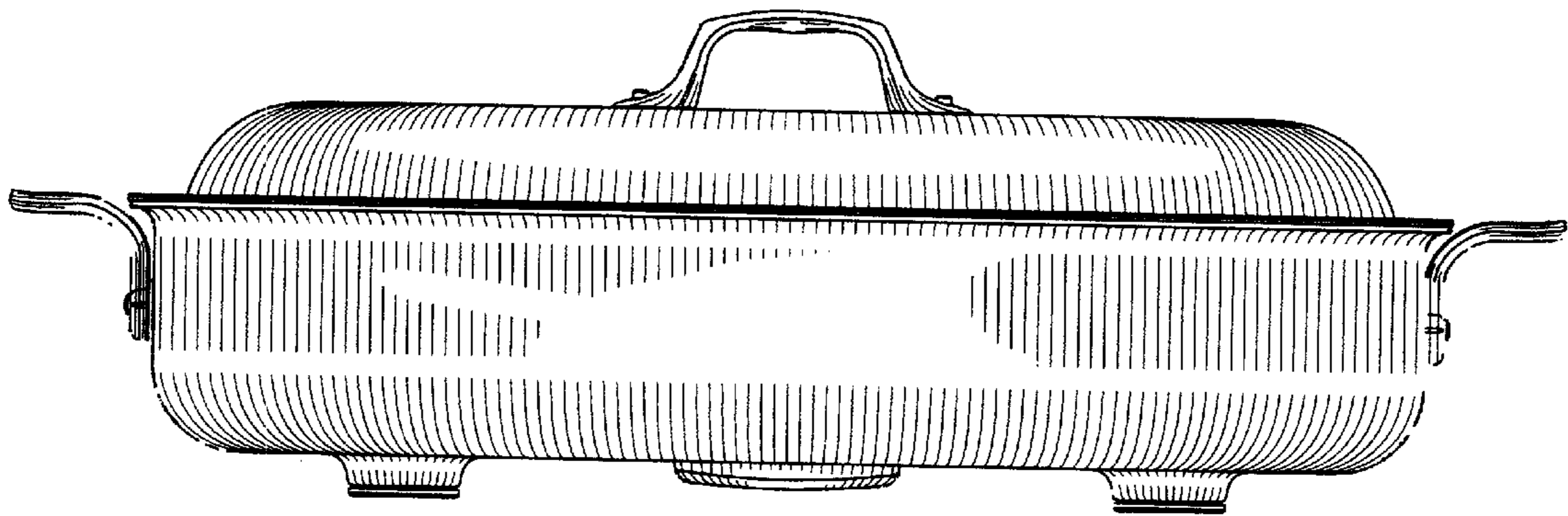


Fig. 7