



US00D542589S

(12) **United States Design Patent**
Liu

(10) **Patent No.:** **US D542,589 S**

(45) **Date of Patent:** **** May 15, 2007**

(54) **CONTAINER FOR FOOD**

(75) Inventor: **Anita Suk Ping Liu**, Orlando, FL (US)

(73) Assignee: **Dart Industries Inc.**, Orlando, FL (US)

(**) Term: **14 Years**

(21) Appl. No.: **29/256,742**

(22) Filed: **Mar. 24, 2006**

(51) **LOC (8) Cl.** **07-02**

(52) **U.S. Cl.** **D7/354**

(58) **Field of Classification Search** D7/317-319,
D7/391-392.1, 396.2, 510, 511, 550.1, 601-602,
D7/629; D9/414, 418, 420-425, 428-430,
D9/435, 436, 440-454, 503-504; D3/273,
D3/274; 206/216, 457, 508, 541, 557, 822;
215/200, 211, 224, 243; 220/213, 351-376,
220/601, 669, 674, 675, 700-703, 711-715,
220/719, 783, 789, 790, 796, 797; 229/108,
229/114, 116.1, 120.14, 122.27, 406, 407,
229/902-906, 938; 426/106, 129, 130

See application file for complete search history.

(56) **References Cited**

U.S. PATENT DOCUMENTS

D137,961 S * 5/1944 Kapner et al. D7/538
D144,152 S * 3/1946 Bach D7/543
D233,202 S * 10/1974 Chernak D7/545

D234,738 S * 4/1975 Brandon D7/545
D264,913 S * 6/1982 Pomroy D7/545
D298,199 S * 10/1988 Finsilver et al. D7/538
D313,556 S * 1/1991 Smith D9/425
D343,338 S * 1/1994 Bucher et al. D7/543
D471,405 S * 3/2003 Wellner D7/543
D480,604 S * 10/2003 Lillelund et al. D7/543
D482,934 S * 12/2003 Liu D7/602
D483,232 S * 12/2003 Liu D7/629
D483,989 S * 12/2003 Lillelund et al. D7/392.1

* cited by examiner

Primary Examiner—Cathron C. Brooks

Assistant Examiner—Ricky Pham

(74) *Attorney, Agent, or Firm*—John A. Doninger

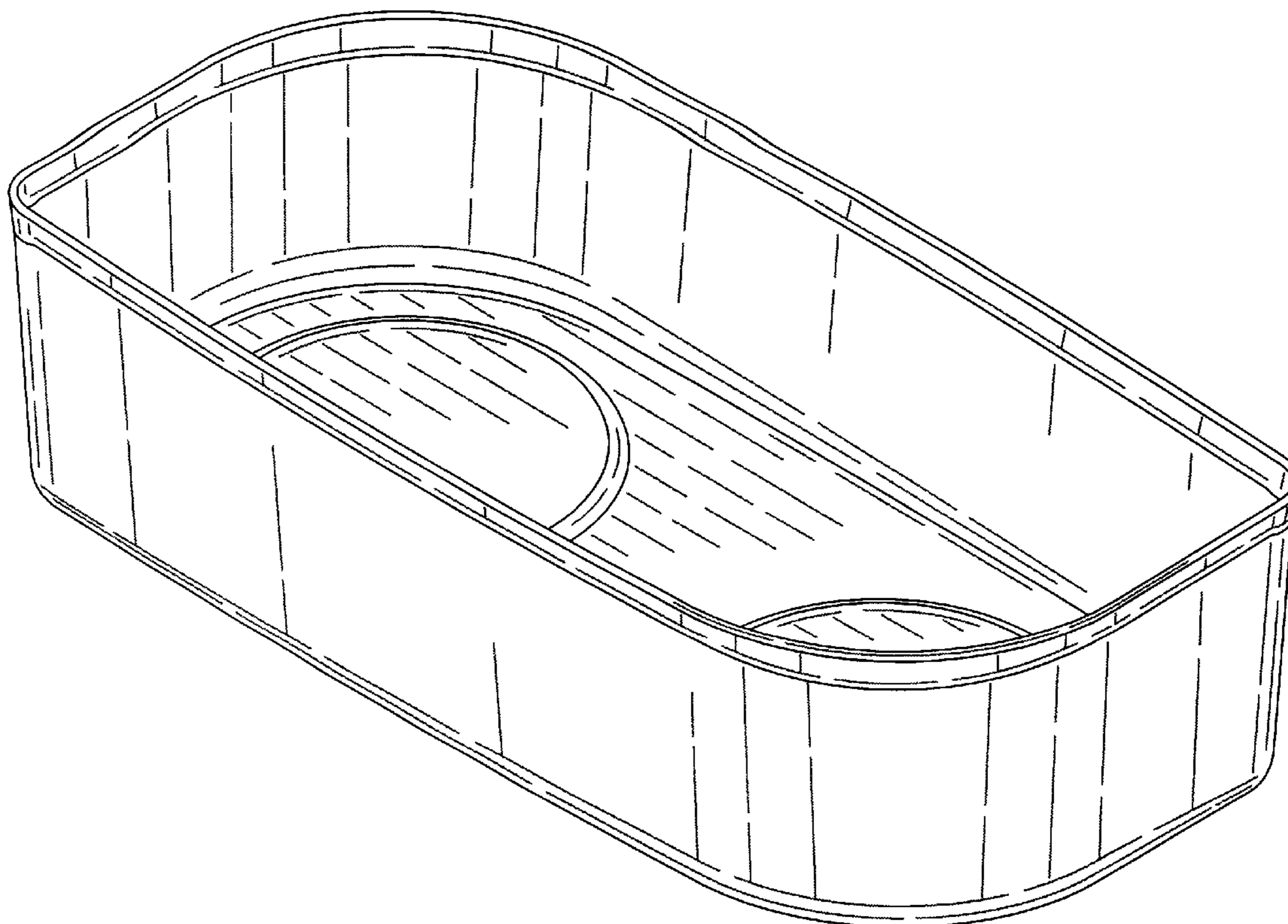
(57) **CLAIM**

The ornamental design for a container for food, as shown and described.

DESCRIPTION

FIG. 1 is a top, right side and front perspective view of a container for food showing the new design; FIG. 2 is a front elevation view thereof, the rear elevation being a mirror image thereof; FIG. 3 is a right side elevation view thereof, the left side elevation being a mirror image thereof; FIG. 4 is a top plan view thereof; and, FIG. 5 is a bottom plan view thereof.

1 Claim, 2 Drawing Sheets



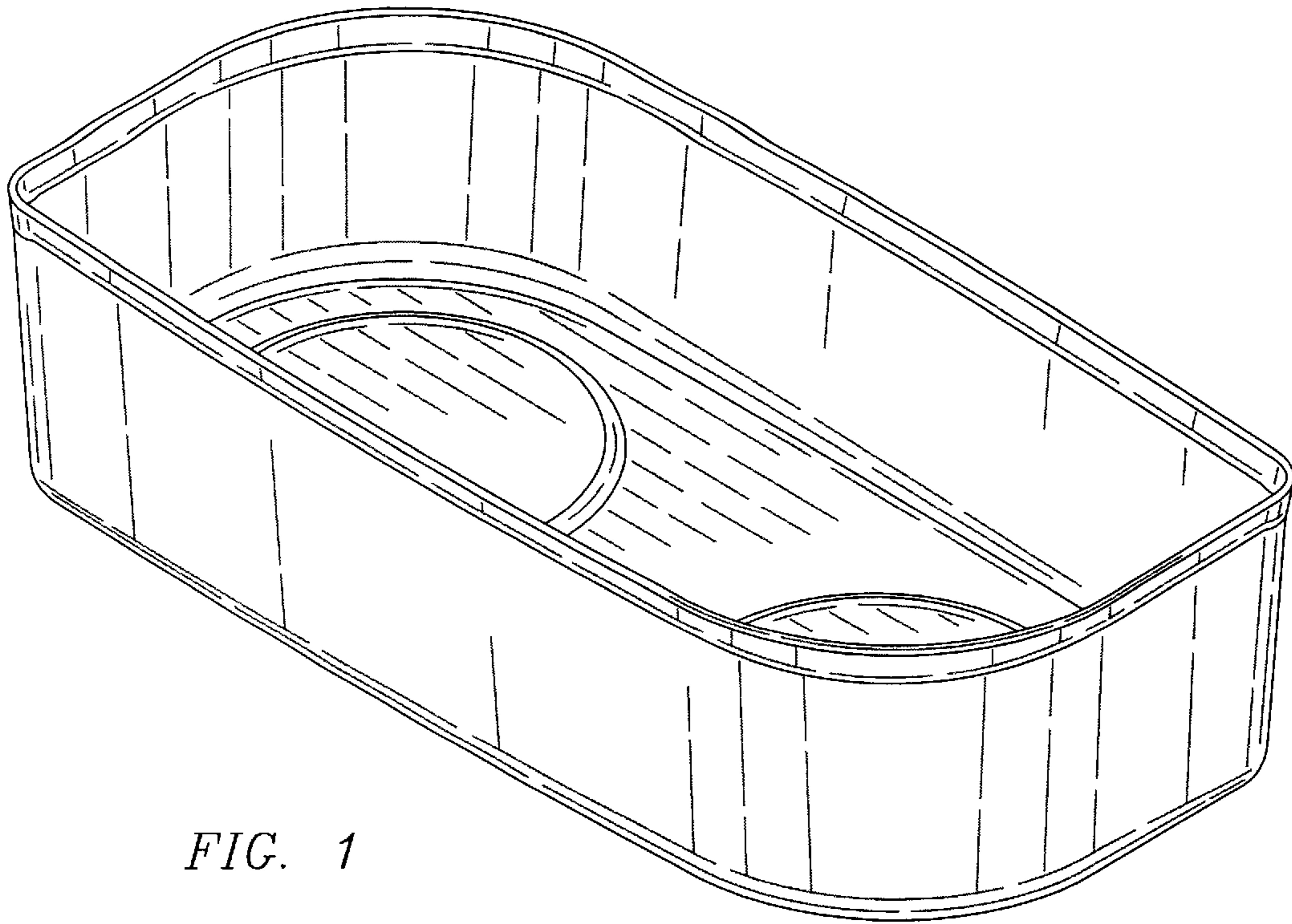


FIG. 1

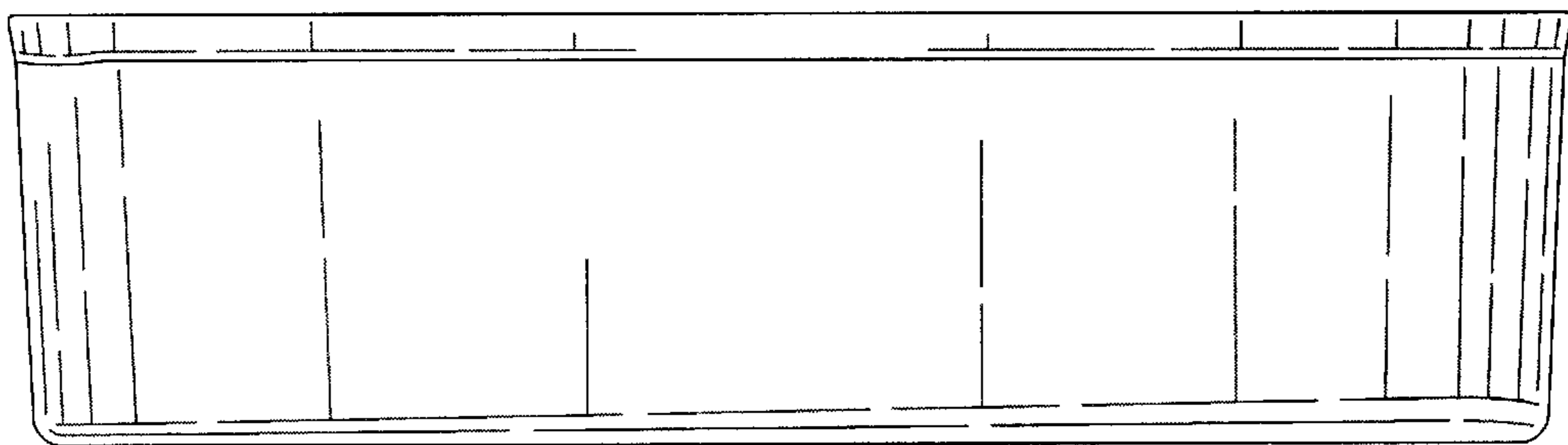


FIG. 2

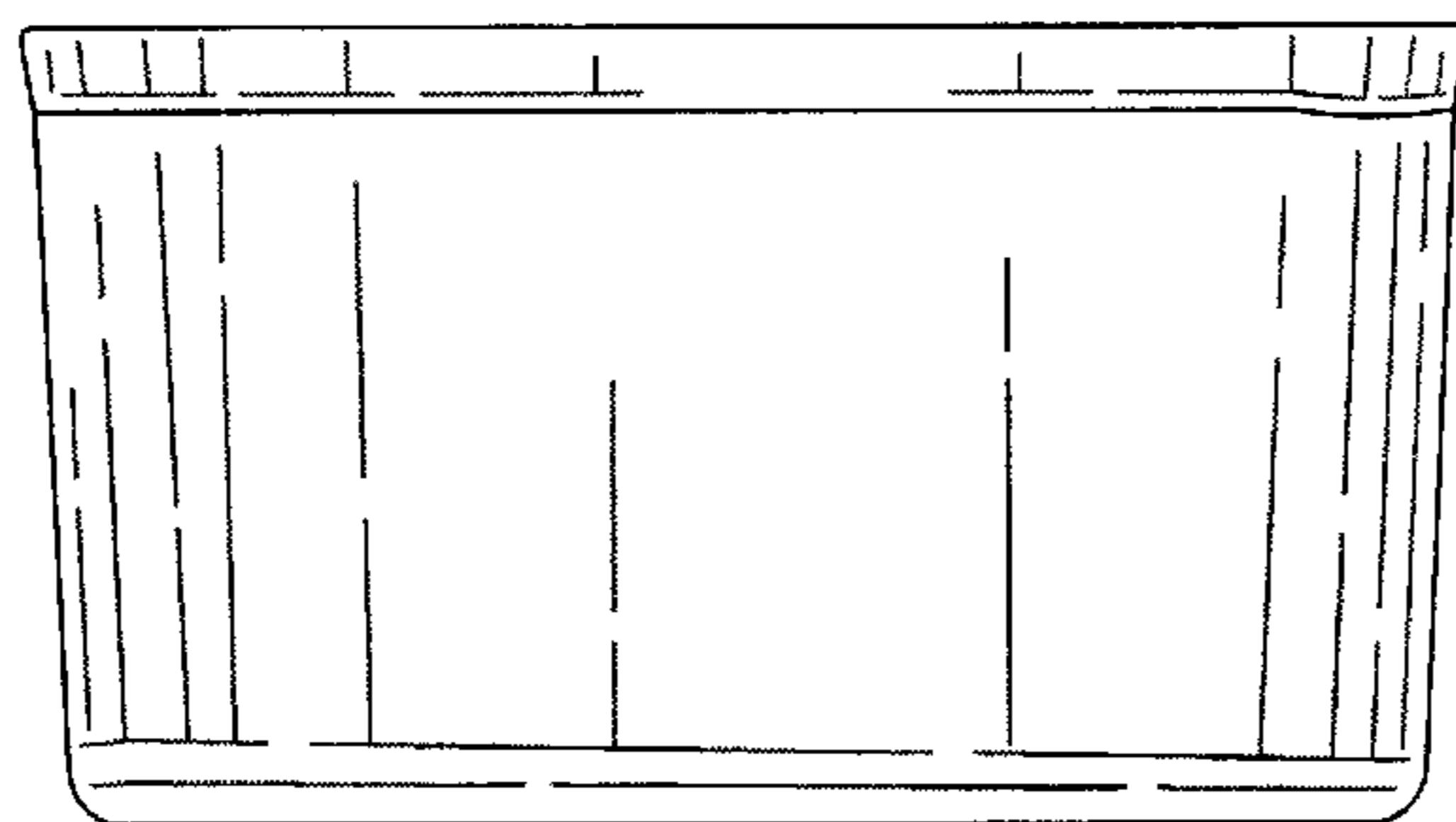


FIG. 3

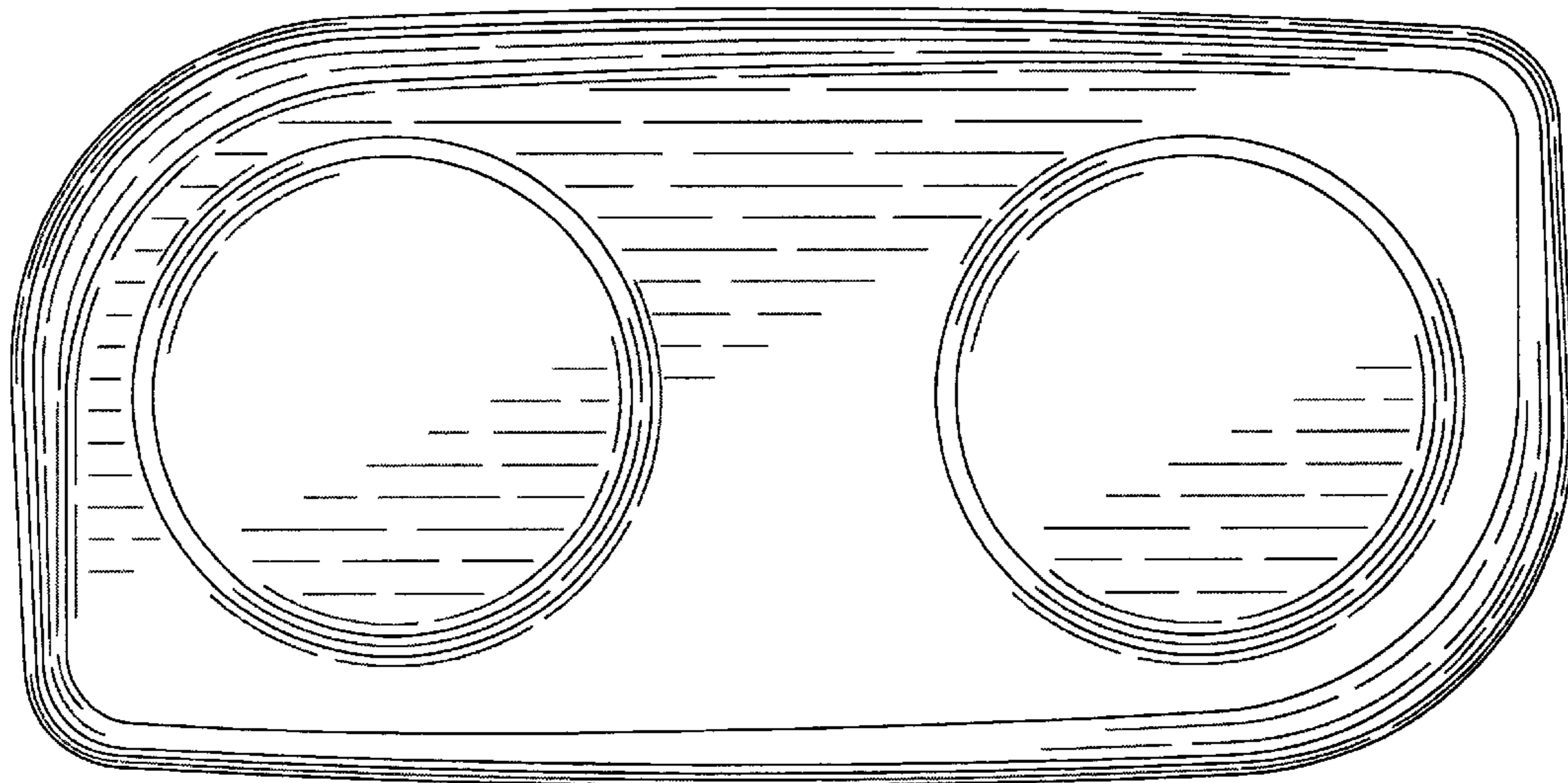


FIG. 4

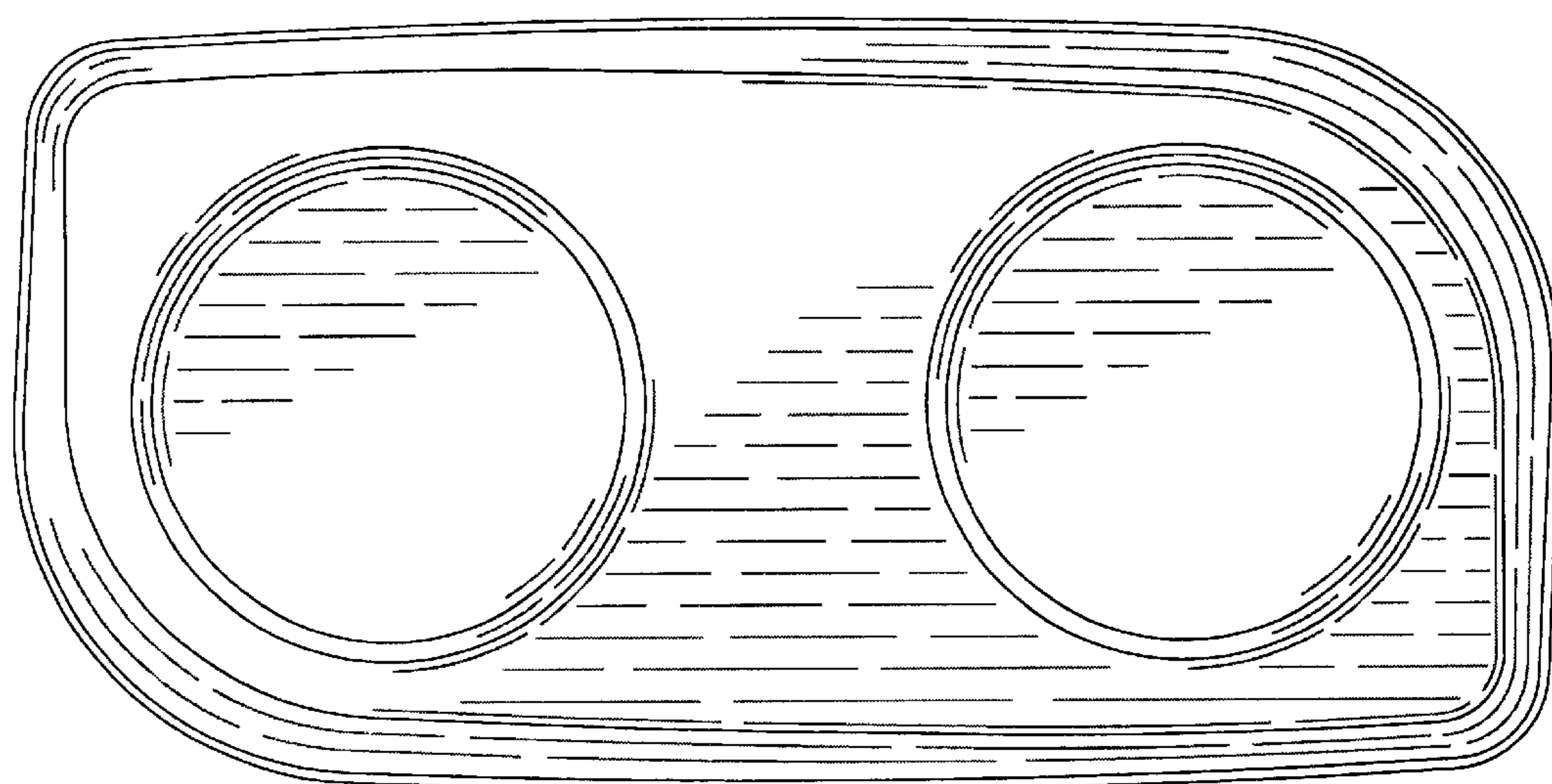


FIG. 5