

US00D542588S

(12) **United States Design Patent**  
**Jeon**

(10) **Patent No.:** **US D542,588 S**

(45) **Date of Patent:** **\*\* May 15, 2007**

(54) **OVEN**

(75) Inventor: **Sei Ill Jeon**, Kyunggi-do (KR)

(73) Assignee: **Samsung Electronics Co., Ltd.**, Suwon (KR)

(\*\*) Term: **14 Years**

(21) Appl. No.: **29/265,934**

(22) Filed: **Sep. 12, 2006**

(51) **LOC (8) Cl.** ..... **07-02**

(52) **U.S. Cl.** ..... **D7/350.1**

(58) **Field of Classification Search** ..... D7/350.1,  
D7/350.3, 350.4, 351, 402-403, 405-406;  
126/19 M, 275 E, 273 A; 219/756-758, 391,  
219/402, 393; 99/DIG. 14  
See application file for complete search history.

(56) **References Cited**

**U.S. PATENT DOCUMENTS**

- D248,008 S \* 5/1978 Wojtowicz et al. .... D7/351
- D329,569 S \* 9/1992 Ichihara et al. .... D7/351
- D330,144 S \* 10/1992 Takebata et al. .... D7/351

- D468,579 S \* 1/2003 Sakai et al. .... D7/351
- D525,477 S \* 7/2006 Kim ..... D7/351
- D527,572 S \* 9/2006 Lee et al. .... D7/350.1
- D530,561 S \* 10/2006 Kim ..... D7/351

\* cited by examiner

*Primary Examiner*—Ruth McInroy

(74) *Attorney, Agent, or Firm*—Ladas and Parry LLP

(57) **CLAIM**

I claim the ornamental design for oven, as shown and described.

**DESCRIPTION**

FIG. 1 is a perspective view as seen from the top, front, and right side of an oven showing my new design; FIG. 2 is a front elevational view thereof; FIG. 3 is a rear elevational view thereof; FIG. 4 is a right side elevational view thereof; FIG. 5 is a left side elevational view thereof; FIG. 6 is a top plan view thereof; and, FIG. 7 is a bottom plan view thereof.

The stippling on the face of the oven is intended to represent different coloration from that of the rest of the oven.

**1 Claim, 7 Drawing Sheets**

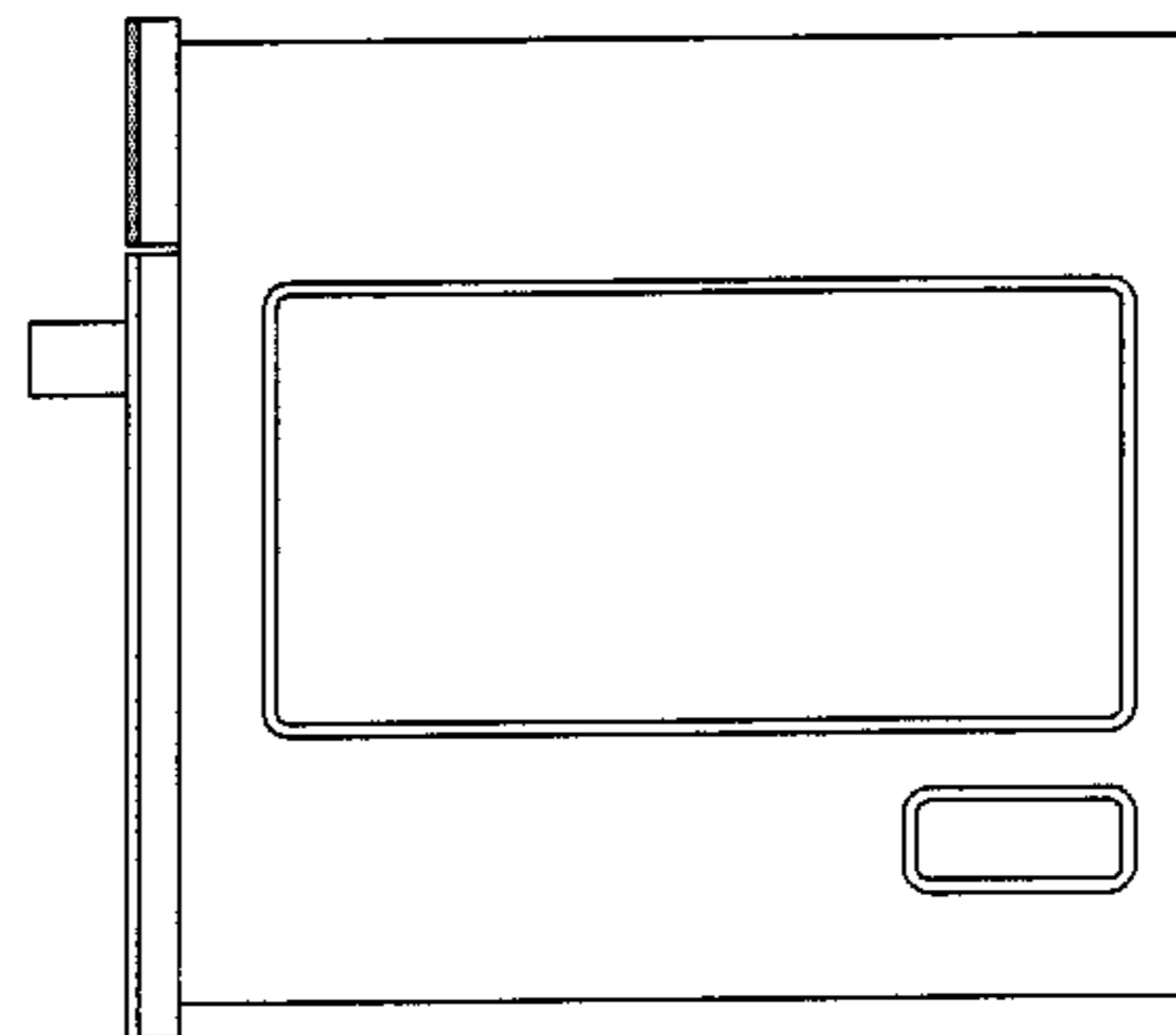
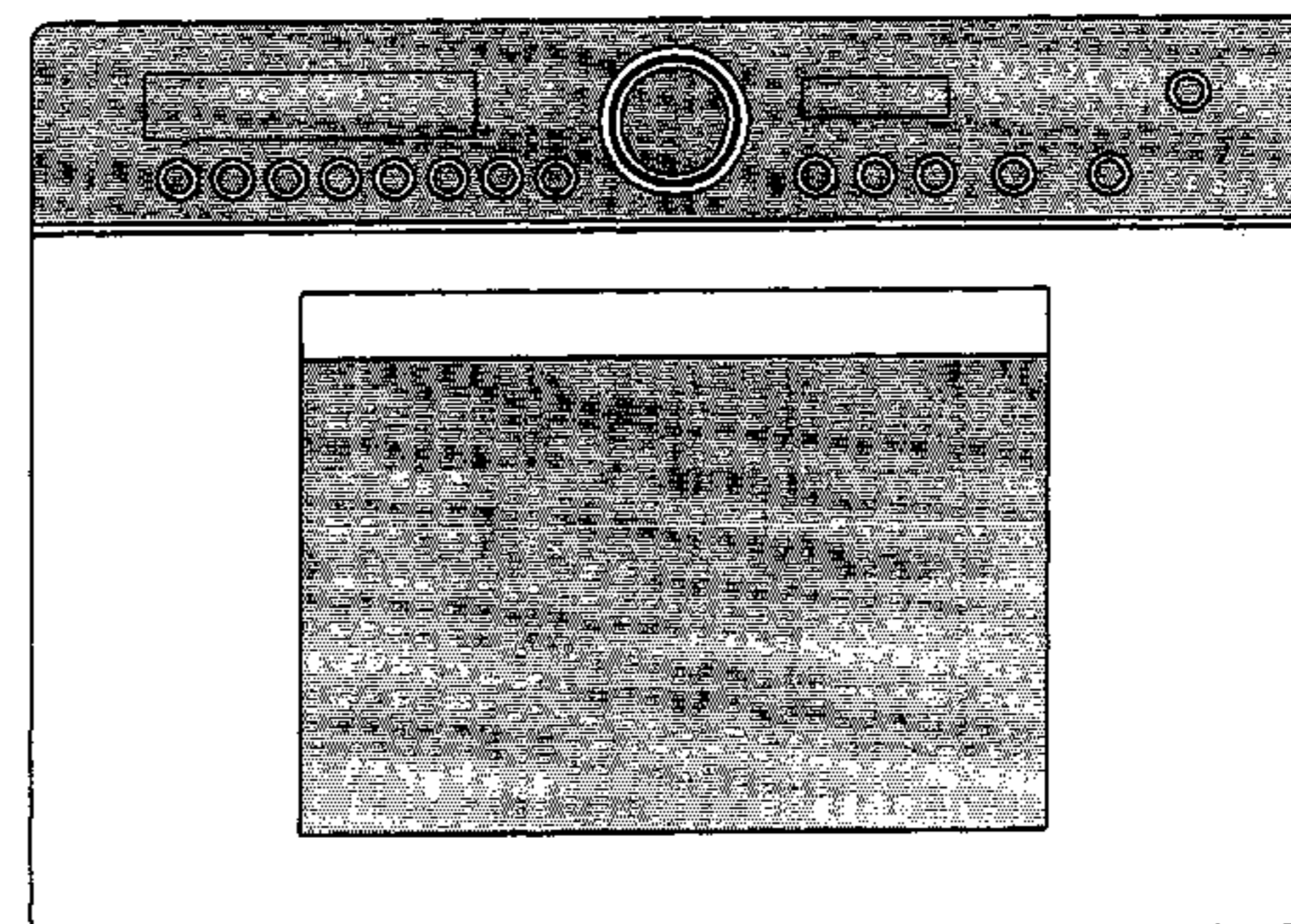
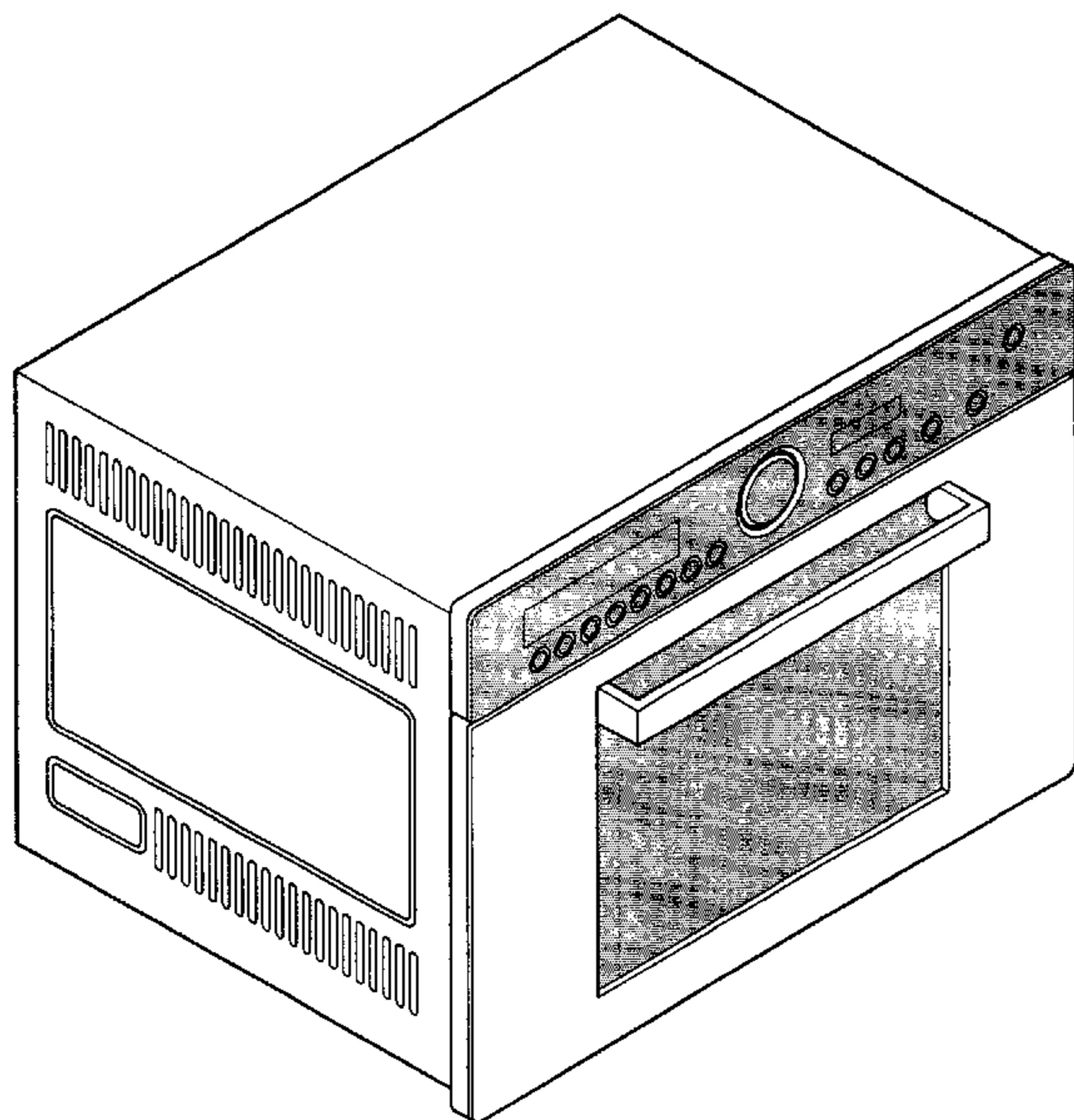


FIG. 1

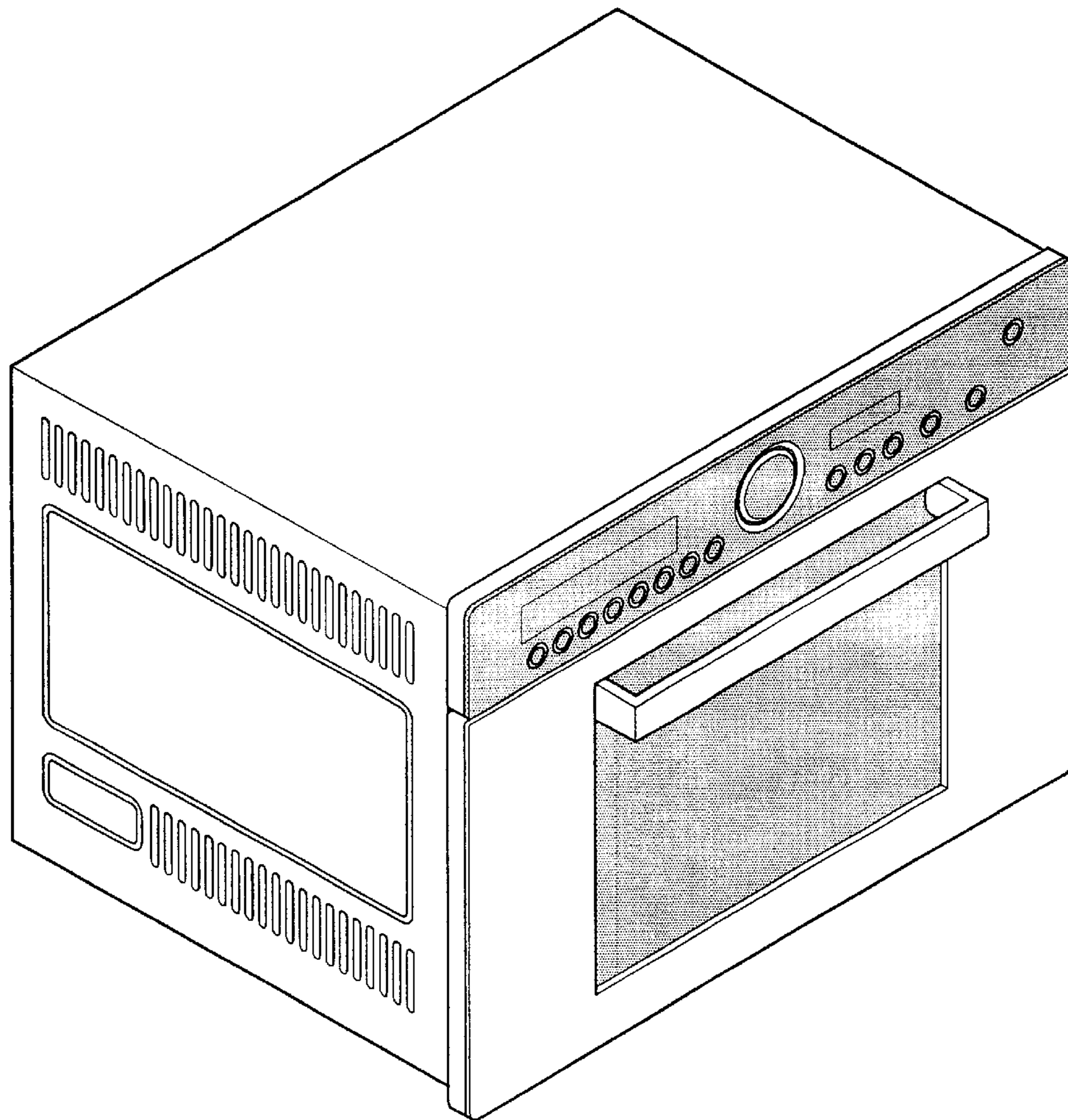


FIG. 2

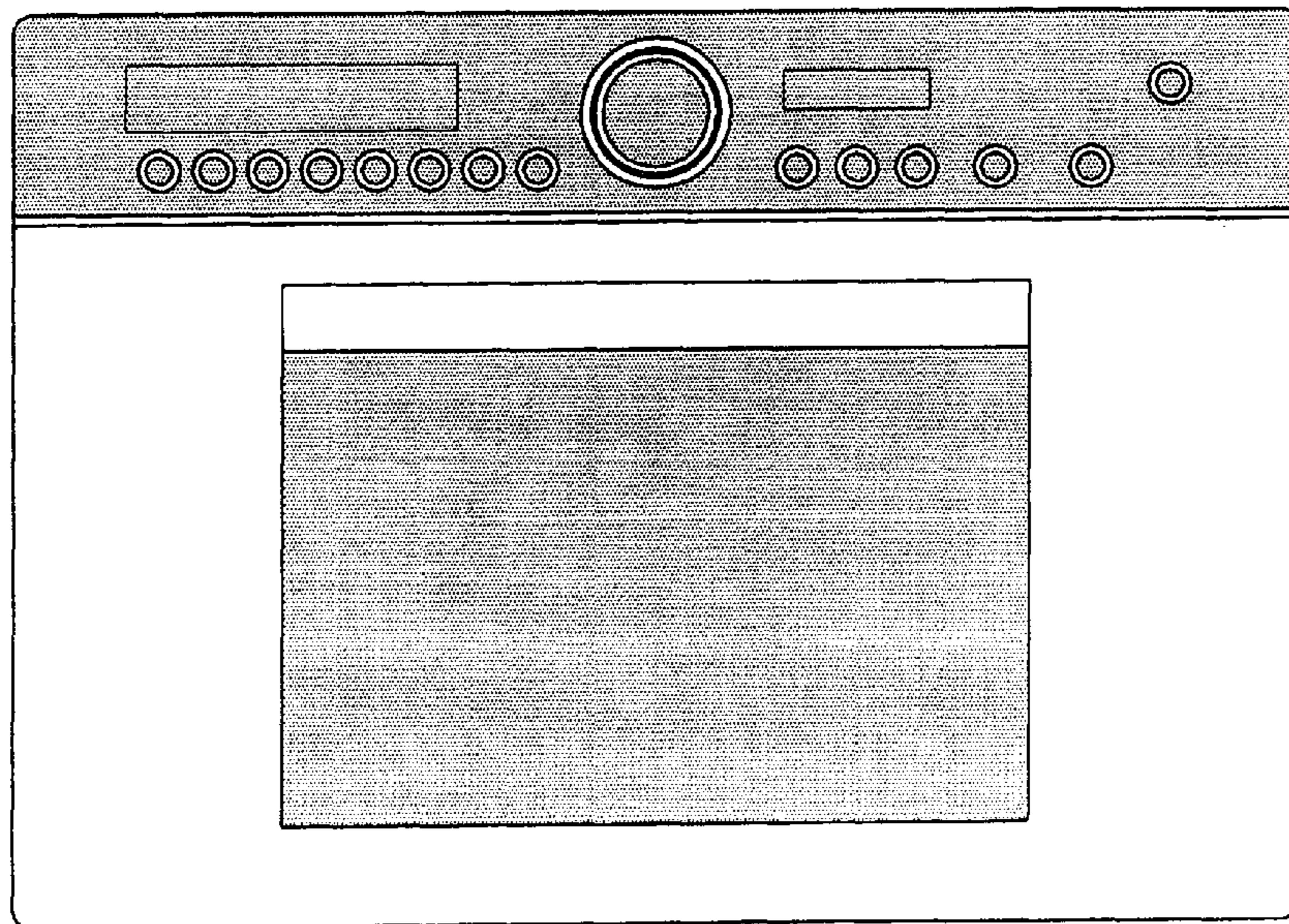


FIG. 3

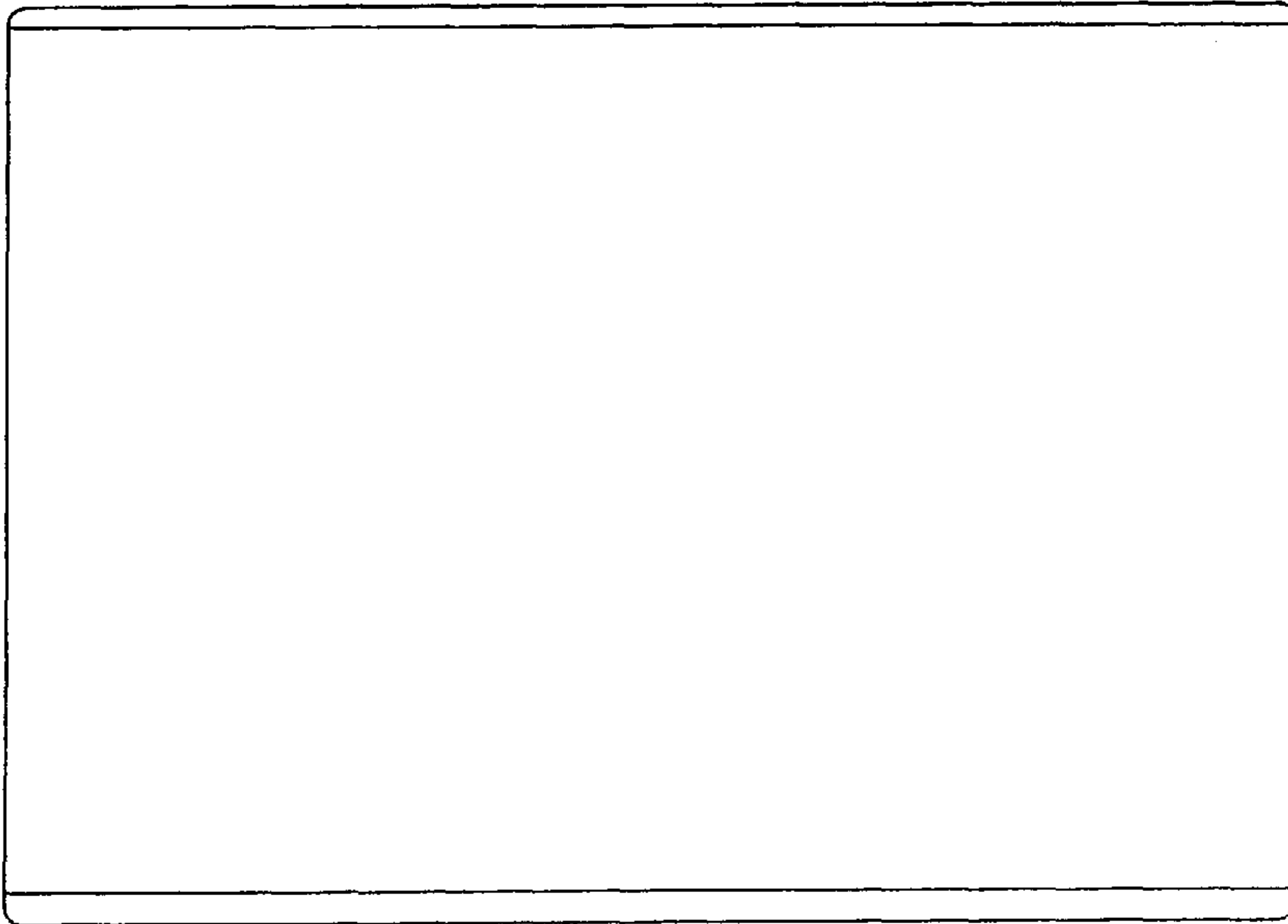


FIG. 4

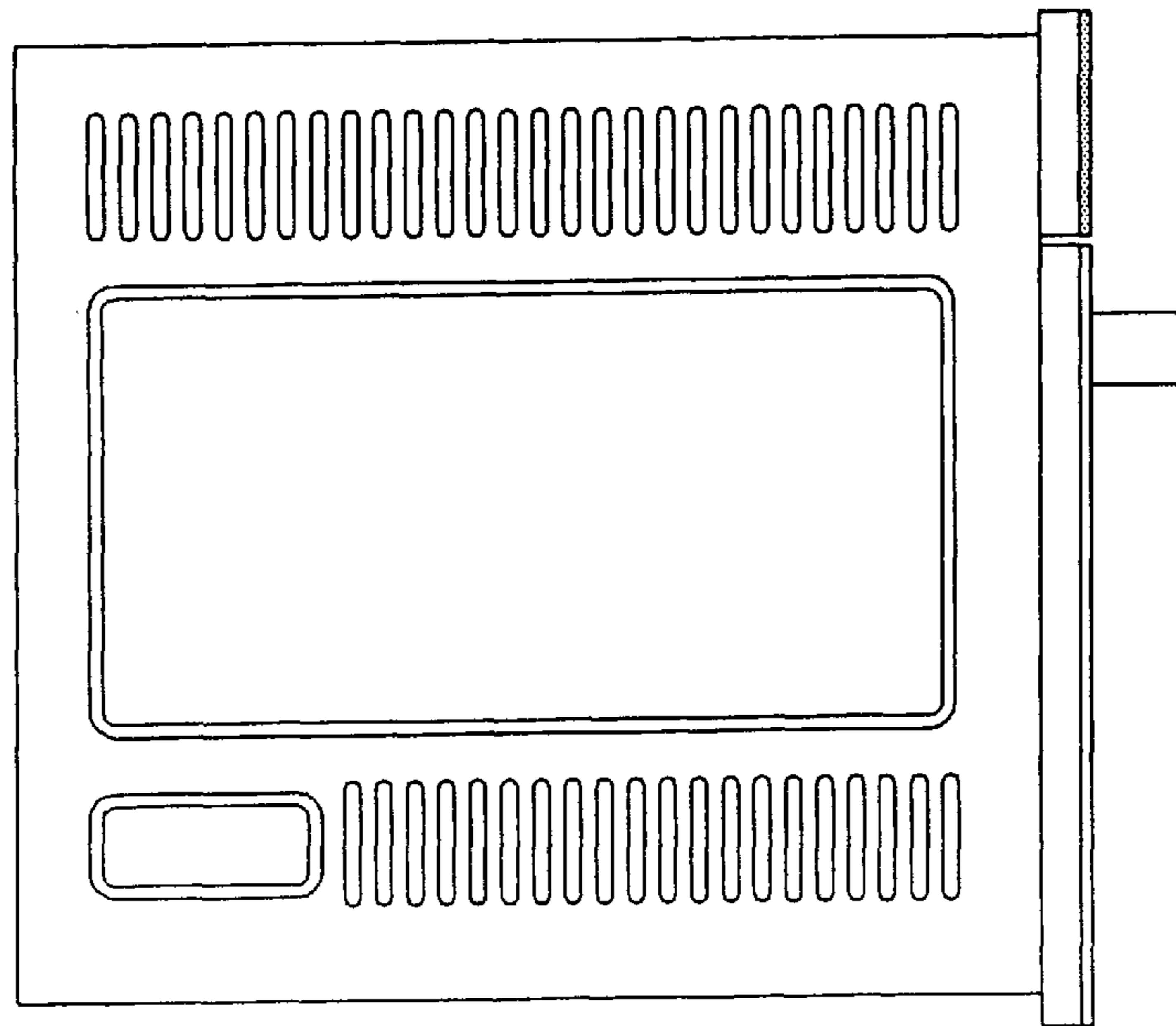


FIG. 5

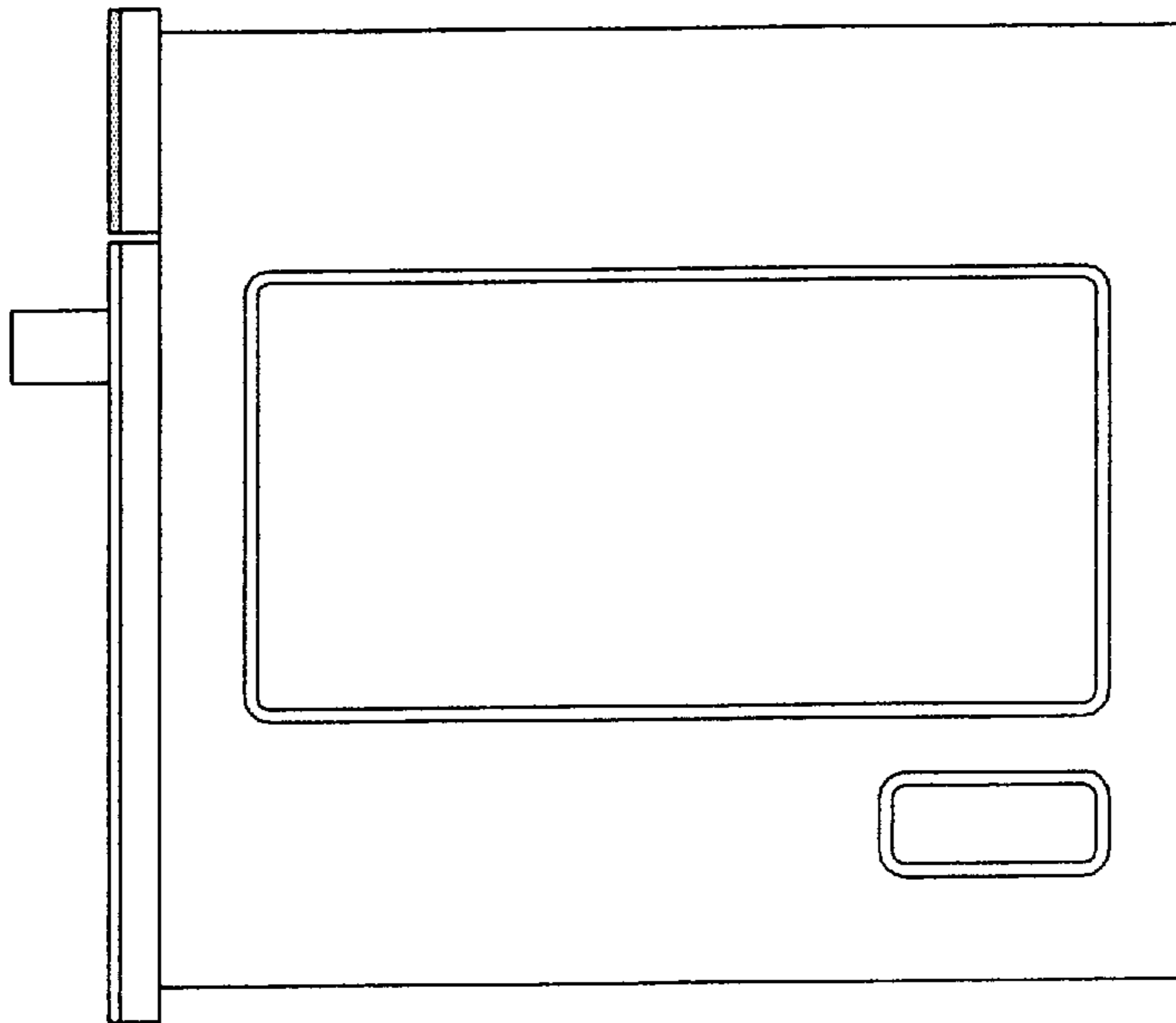


FIG. 6

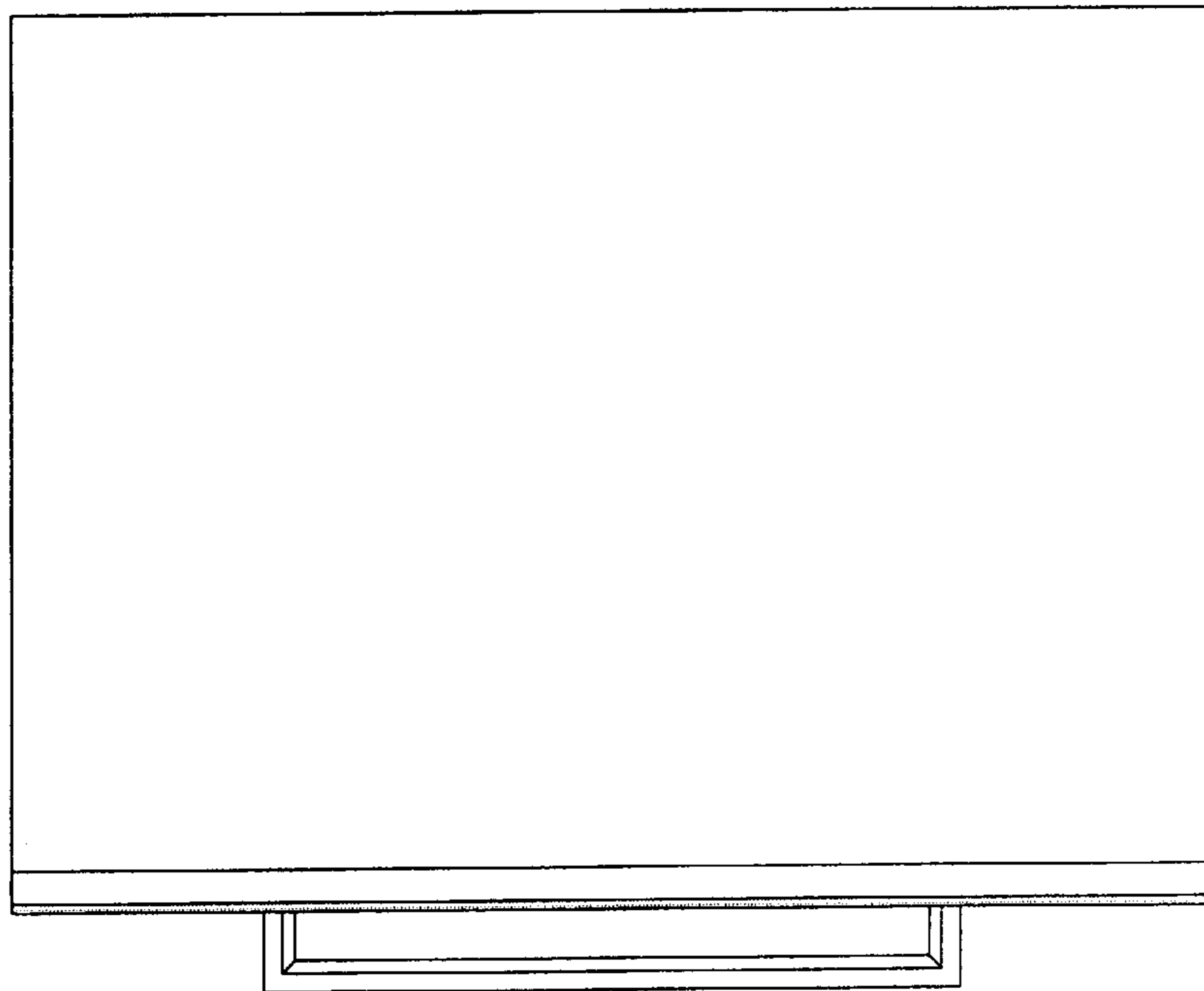


FIG. 7

