

US00D542586S

(12) **United States Design Patent**  
**Tanaka**

(10) **Patent No.:** **US D542,586 S**

(45) **Date of Patent:** **\*\* May 15, 2007**

(54) **INDUCTION HEATING COOKER**

(75) Inventor: **Hiroyuki Tanaka**, Nishinomiya (JP)

(73) Assignee: **Matsushita Electric Industrial Co., Ltd.**, Osaka (JP)

(\*\*) Term: **14 Years**

(21) Appl. No.: **29/208,481**

(22) Filed: **Jun. 29, 2004**

(30) **Foreign Application Priority Data**

Mar. 12, 2004 (JP) ..... 2004-007438

(51) **LOC (8) Cl.** ..... **07-02**

(52) **U.S. Cl.** ..... **D7/340**

(58) **Field of Classification Search** ..... D7/339-341,  
D7/402-407, 346-348; 126/19 R, 39 B,  
126/39 C, 39 R, 273 R, 50  
See application file for complete search history.

(56) **References Cited**

**U.S. PATENT DOCUMENTS**

- D165,742 S \* 1/1952 Culver ..... D7/340
- D171,371 S \* 2/1954 Altemiller ..... D7/347
- D486,349 S \* 2/2004 Nichols ..... D7/340
- D500,628 S \* 1/2005 Laundroche et al. .... D7/346
- D524,093 S \* 7/2006 Home ..... D7/340

**OTHER PUBLICATIONS**

Catalog for Induction Heating Cooker, issued by Siemens Corporation, Apr. 2001.

Catalog for Induction Heating Cooker, issued by Bauknecht Corporation, 2003.

Catalog for Induction Heating Cooker, issued by Miele Corporation, Dec. 2001.

\* cited by examiner

*Primary Examiner*—Catherine R. Oliver

(74) *Attorney, Agent, or Firm*—Brinks Hofer Gilson & Lione

(57) **CLAIM**

I claim the ornamental design for an induction heating cooker, as shown and described.

**DESCRIPTION**

FIG. 1 is a top front perspective view of an induction heating cooker of the present invention;

FIG. 2 is a top rear perspective view thereof;

FIG. 3 is a top view thereof;

FIG. 4 is a front view thereof;

FIG. 5 is a bottom view thereof;

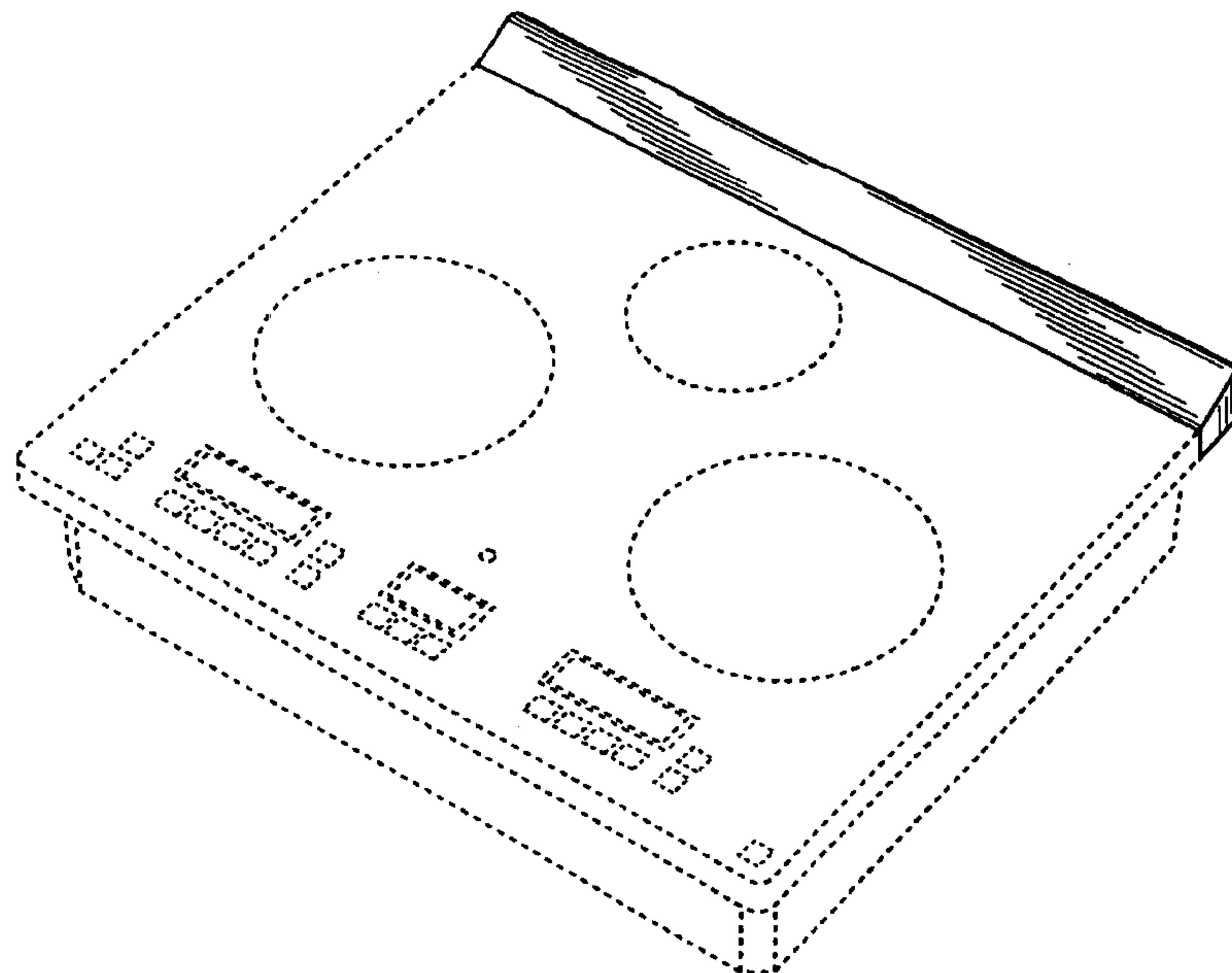
FIG. 6 is a rear view thereof;

FIG. 7 is a first side view thereof; and,

FIG. 8 is a second side view thereof.

The ornamental design which is claimed is shown in solid lines in the drawings. Any broken lines in the drawings are for illustrative purposes only and form no part of the claimed design.

**1 Claim, 4 Drawing Sheets**



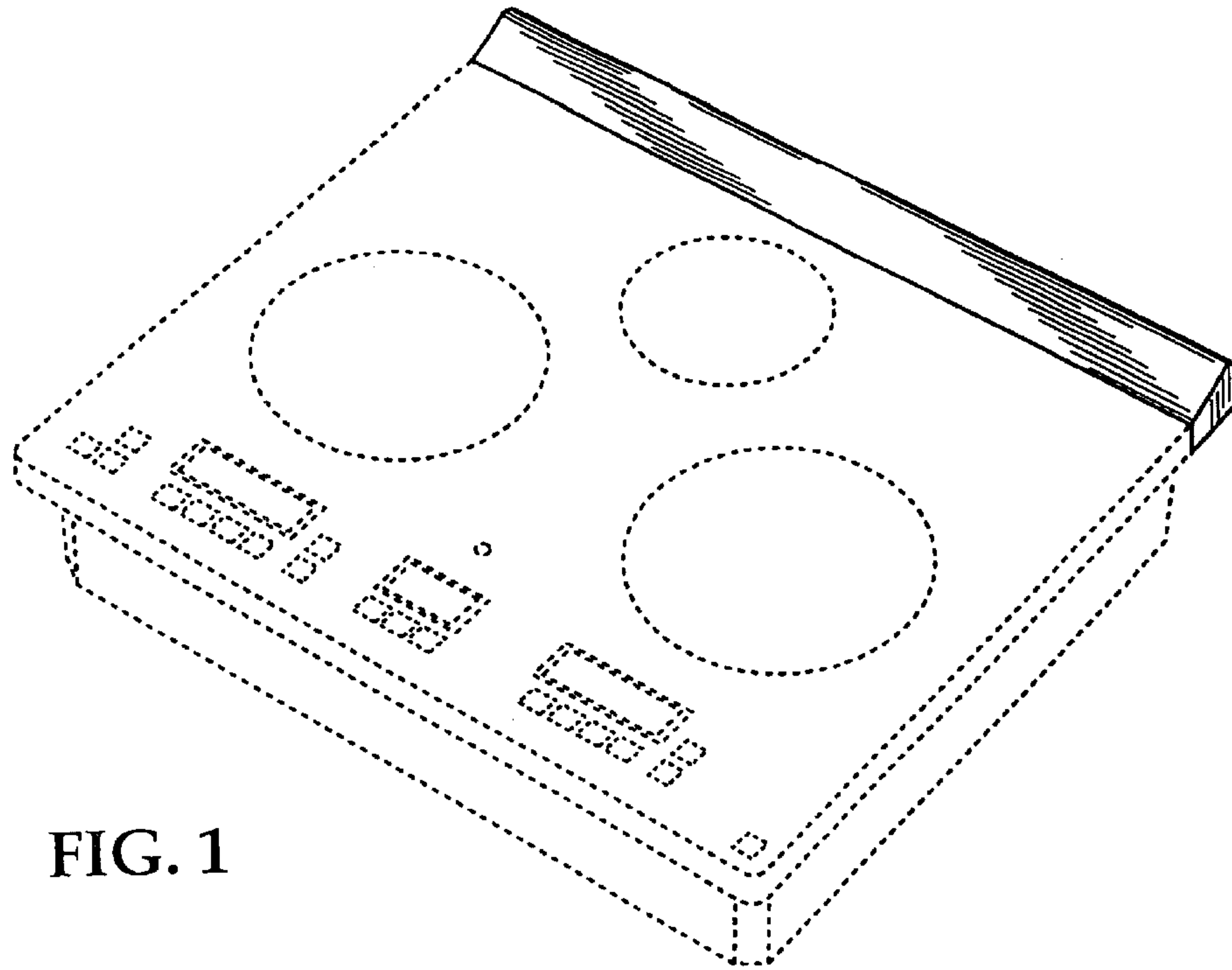


FIG. 1

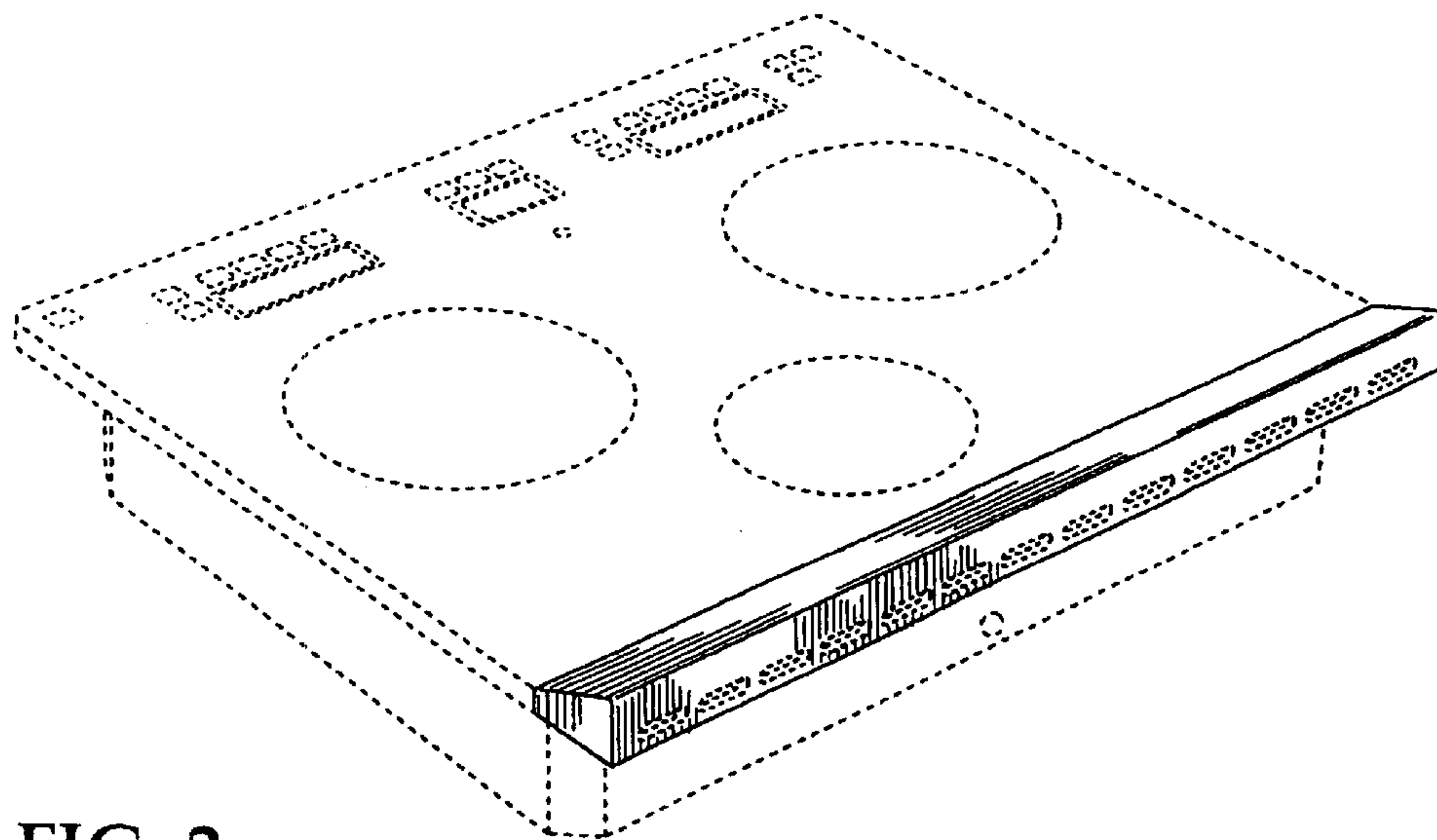


FIG. 2

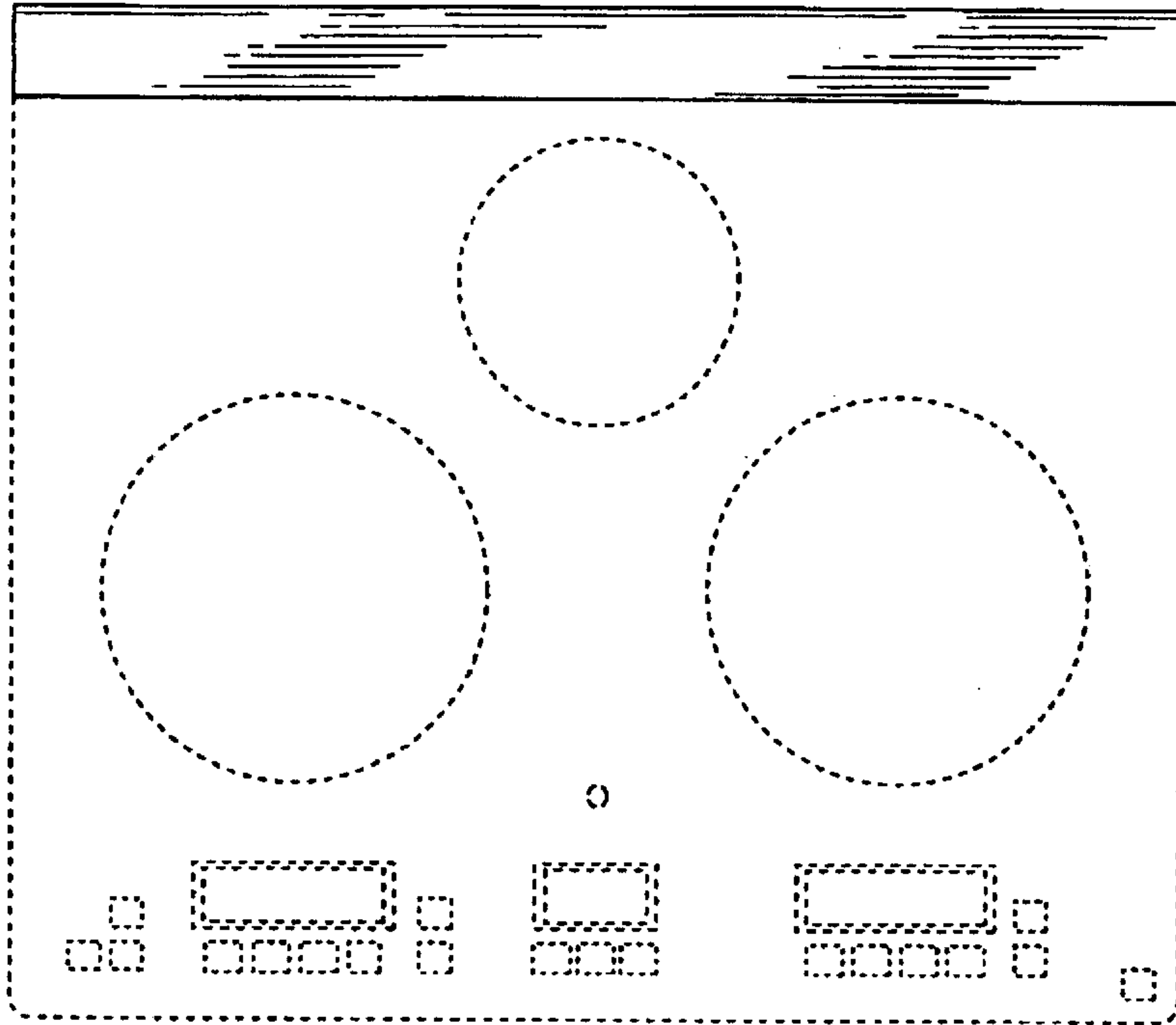


FIG. 3

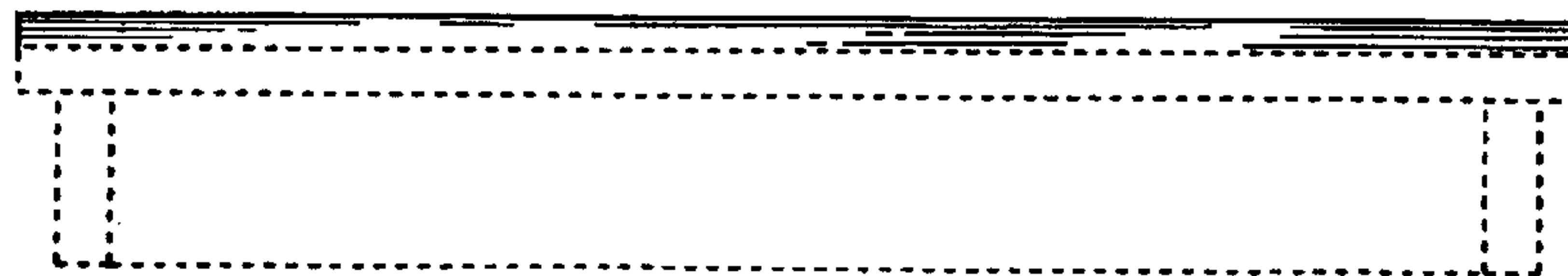


FIG. 4

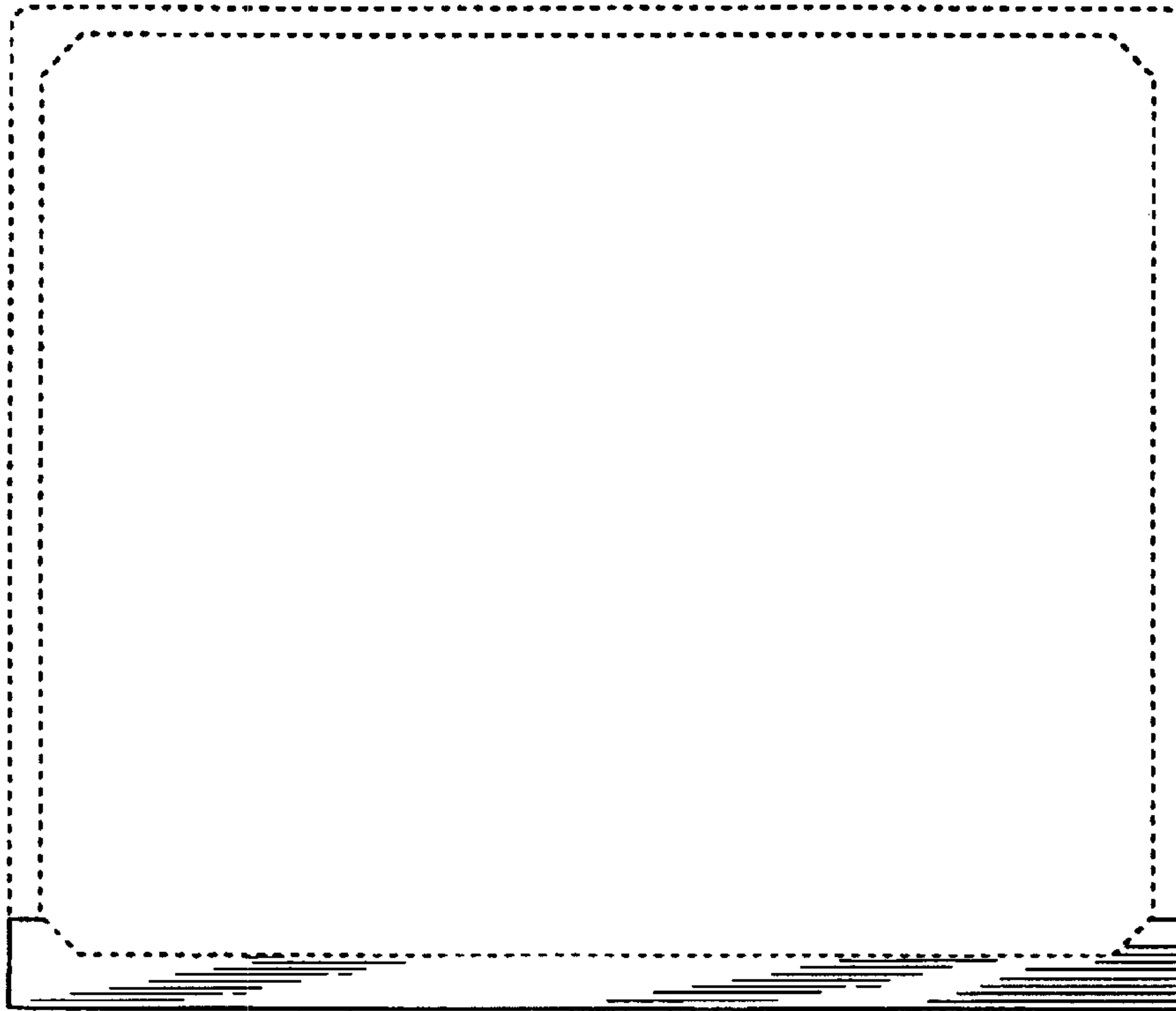


FIG. 5

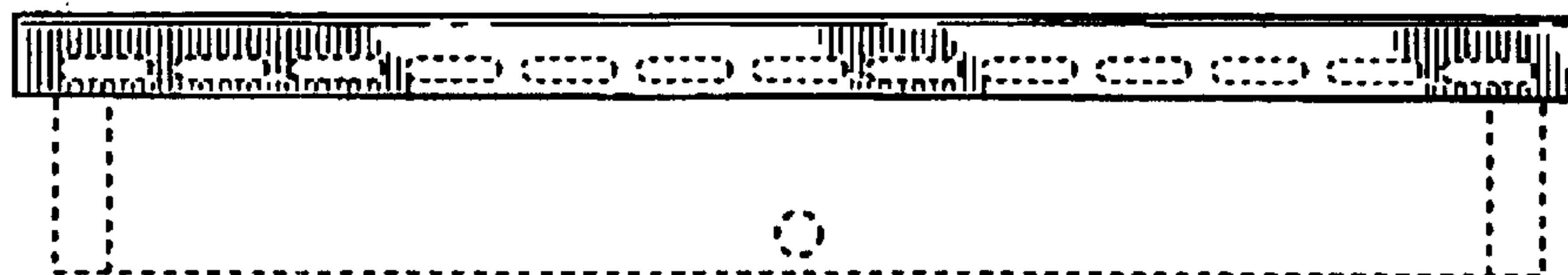


FIG. 6

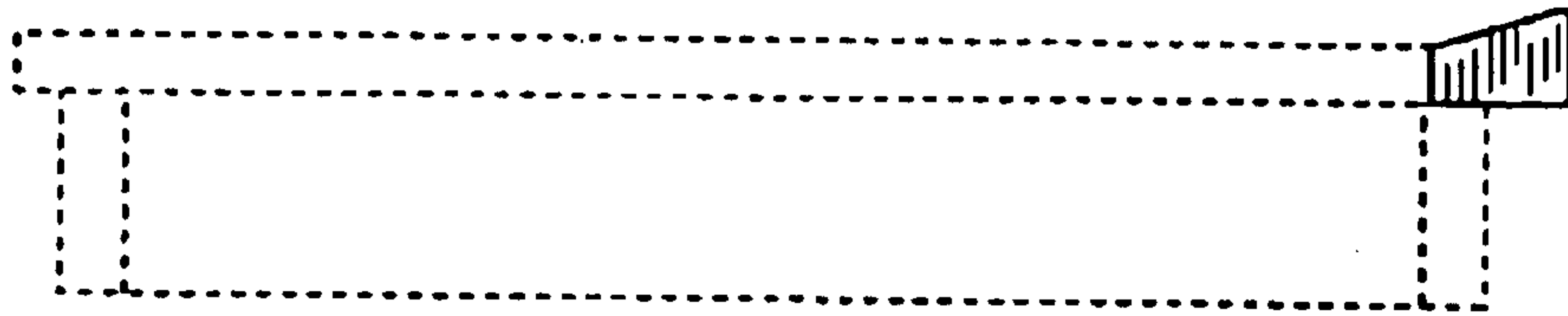


FIG. 7

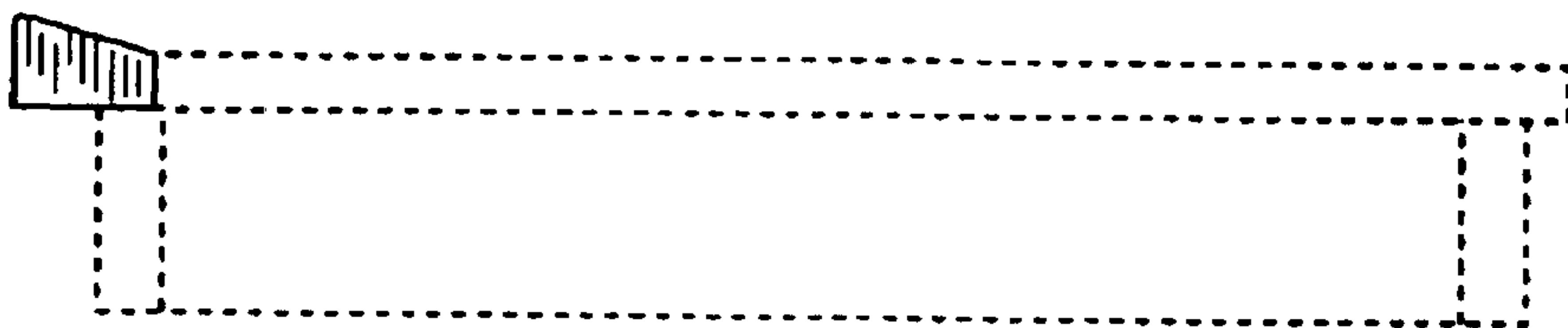


FIG. 8