



US00D542583S

(12) **United States Design Patent**  
**Watchowski et al.**

(10) **Patent No.:** **US D542,583 S**

(45) **Date of Patent:** **\*\* May 15, 2007**

(54) **HANGING MULTI-STORAGE DEVICE**

(76) Inventors: **Mark A. Watchowski**, T 937 Rd., #1,  
Grand Rapids, OH (US) 43522; **Loretta**  
**S. Watchowski**, T 937 Rd., #1, Grand  
Rapids, OH (US) 43522

(\*\*) Term: **14 Years**

(21) Appl. No.: **29/224,245**

(22) Filed: **Feb. 28, 2005**

(51) **LOC (8) Cl.** ..... **06-04**

(52) **U.S. Cl.** ..... **D6/553**

(58) **Field of Classification Search** ..... D6/553;  
D7/707-708; 211/13.1, 74, 85.4, 75, 77-78,  
211/87.01; 206/6.1

See application file for complete search history.

(56) **References Cited**

**U.S. PATENT DOCUMENTS**

2,911,107 A \* 11/1959 Francavillo ..... 211/78

D225,870 S \* 1/1973 Morgison ..... D7/708

D291,637 S \* 9/1987 Burin ..... D7/708

D329,573 S \* 9/1992 Picard ..... D7/707

D369,710 S \* 5/1996 Picard et al. .... D7/708

D407,610 S 4/1999 Weterrings

\* cited by examiner

*Primary Examiner*—Brian N Vinson

(57) **CLAIM**

The ornamental design for a hanging multi-storage device,  
as shown and described.

**DESCRIPTION**

FIG. 1 is a front elevation view of a hanging multi-storage  
device showing our new design;

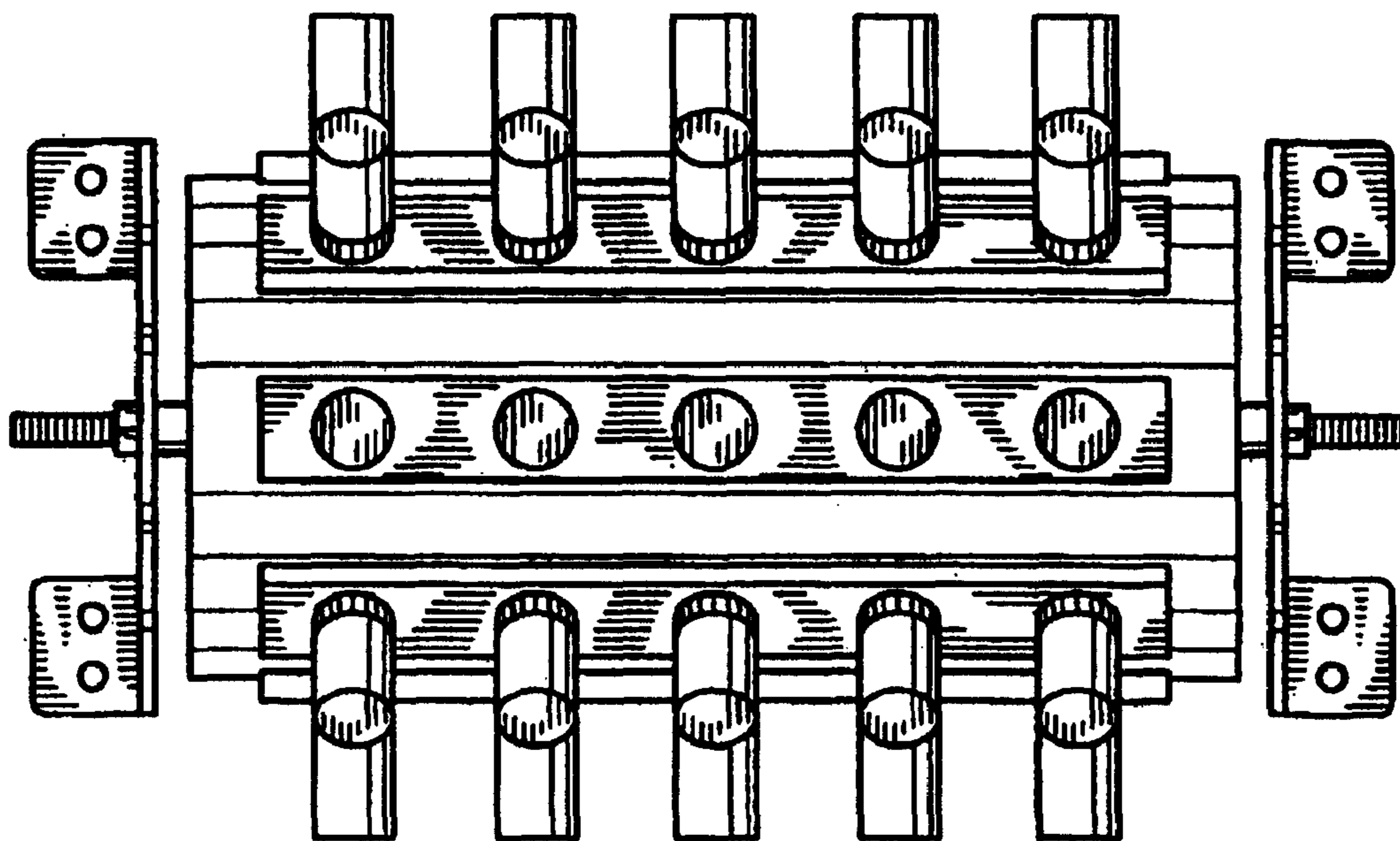
FIG. 2 is a rear elevation view;

FIG. 3; is a side elevation view;

FIG. 4 is an end view; and,

FIG. 5 is a left side isometric view of a hanging multi-  
storage device showing our new design.

**1 Claim, 3 Drawing Sheets**



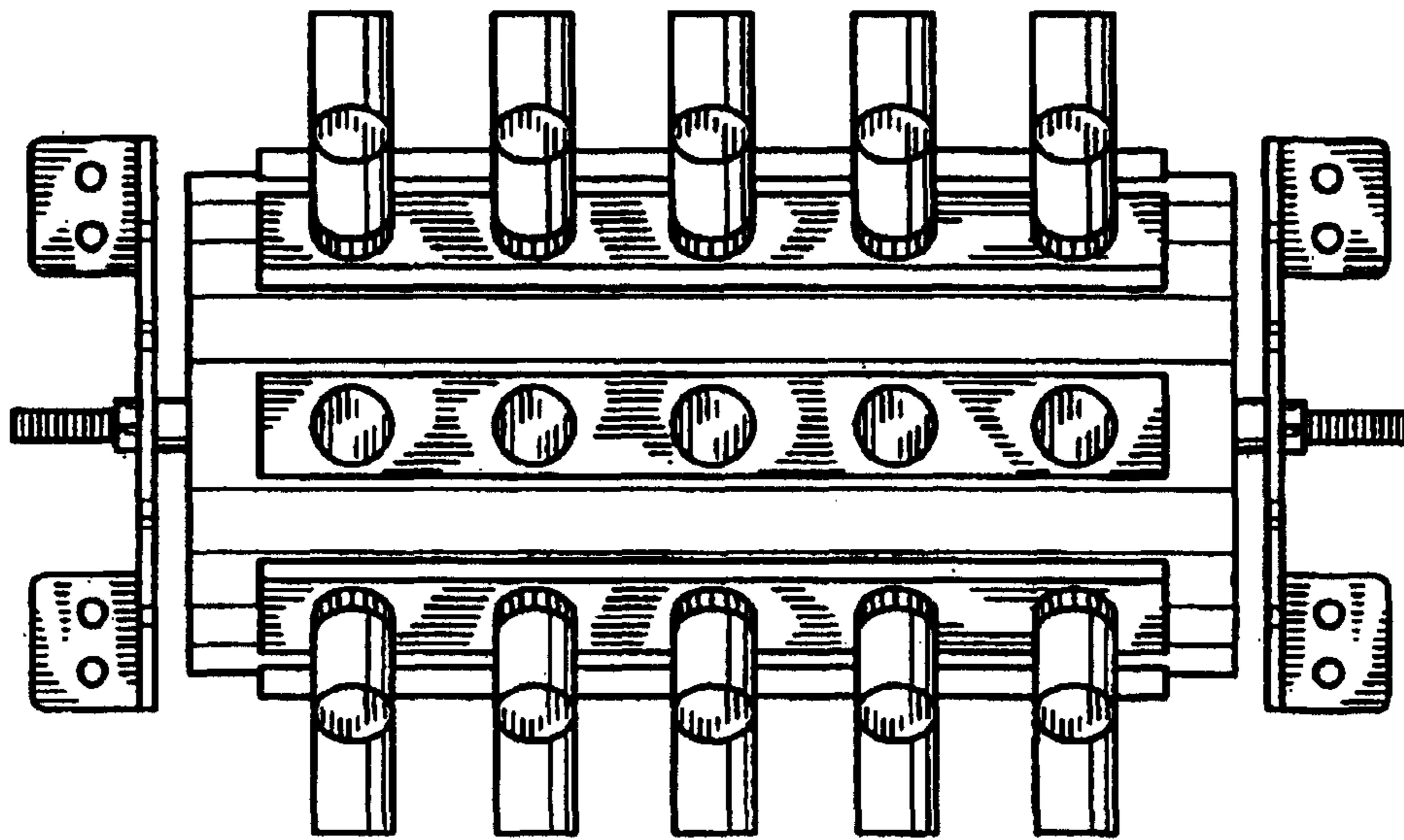


FIG. 1

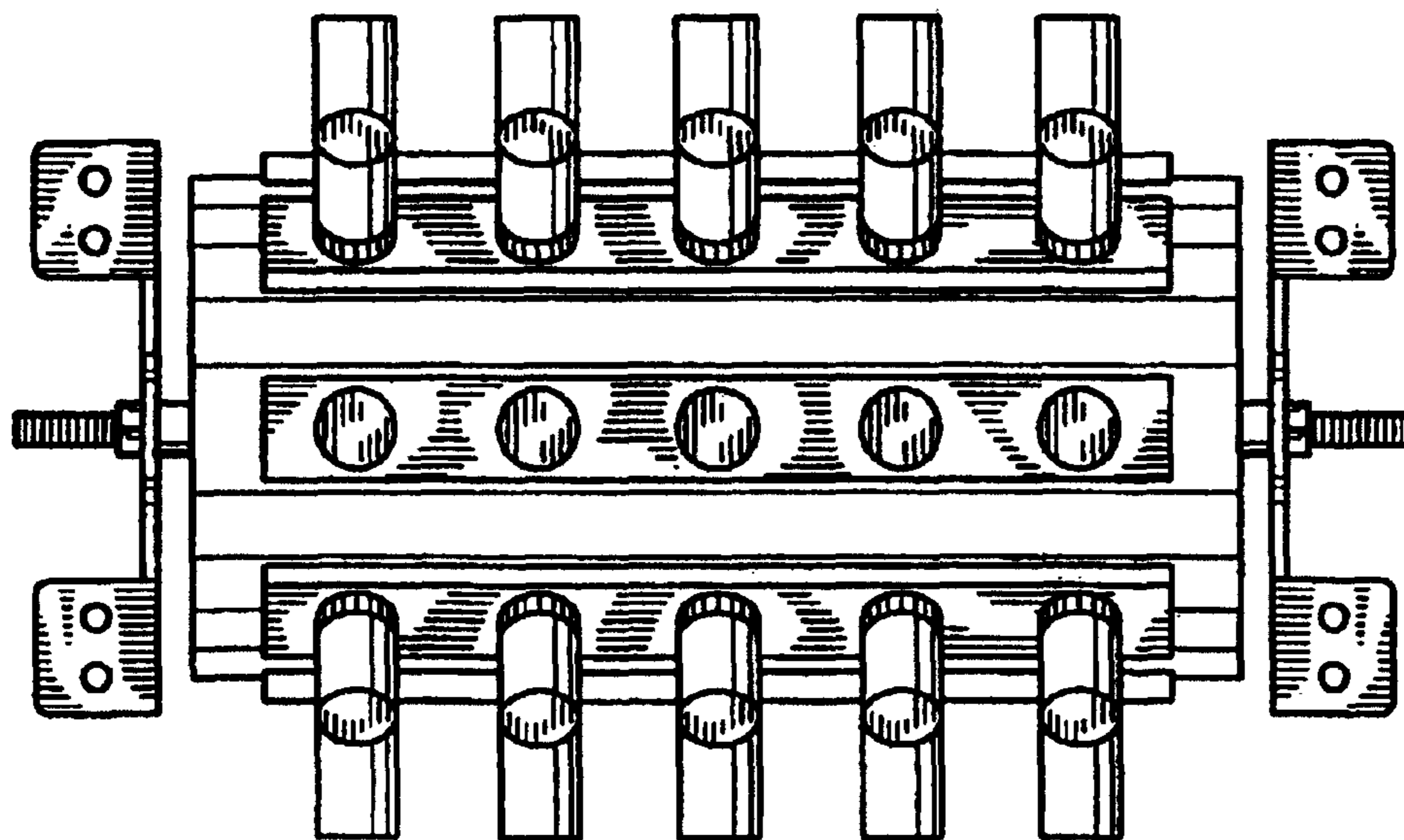


FIG. 2

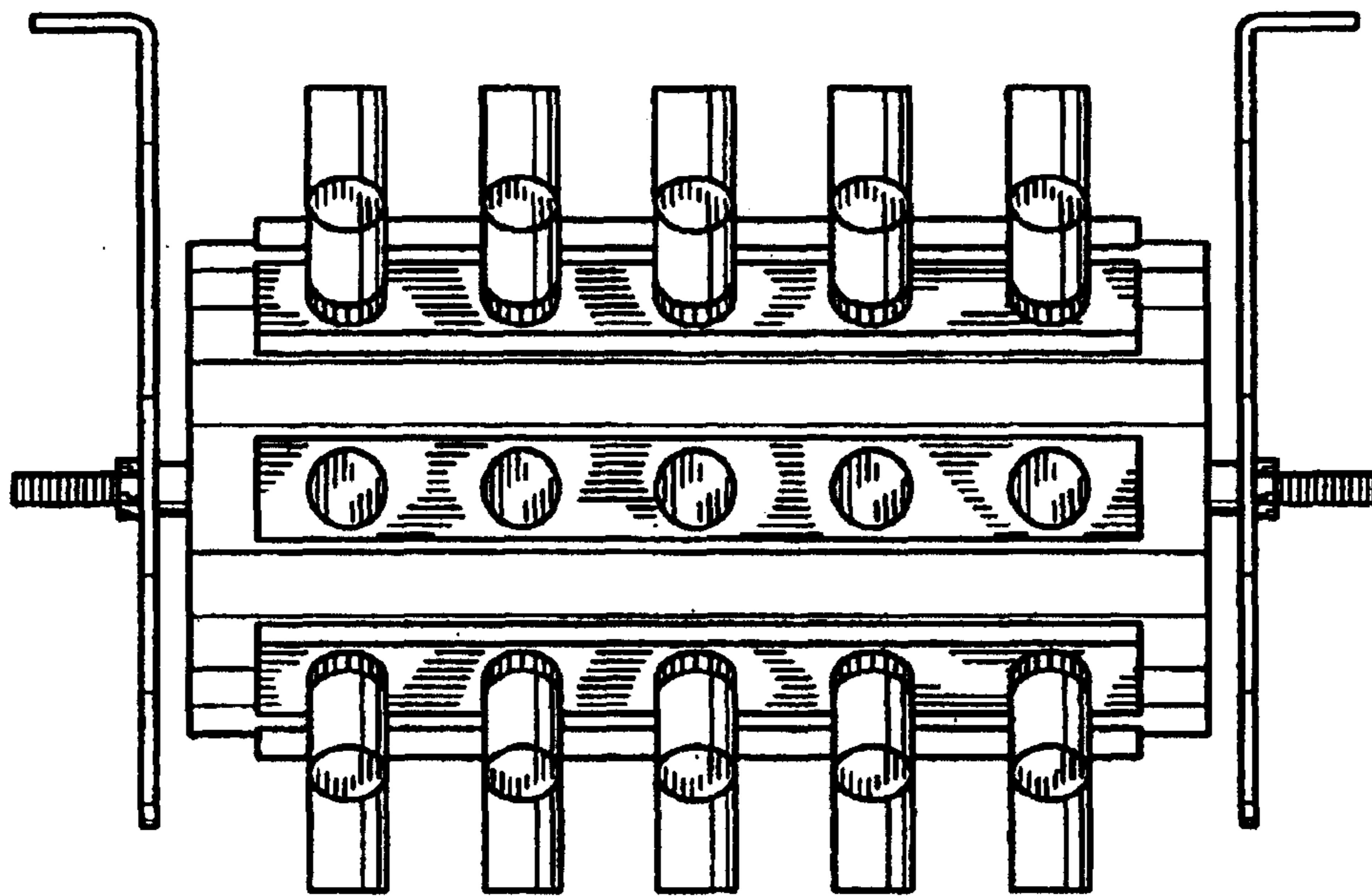


FIG. 3

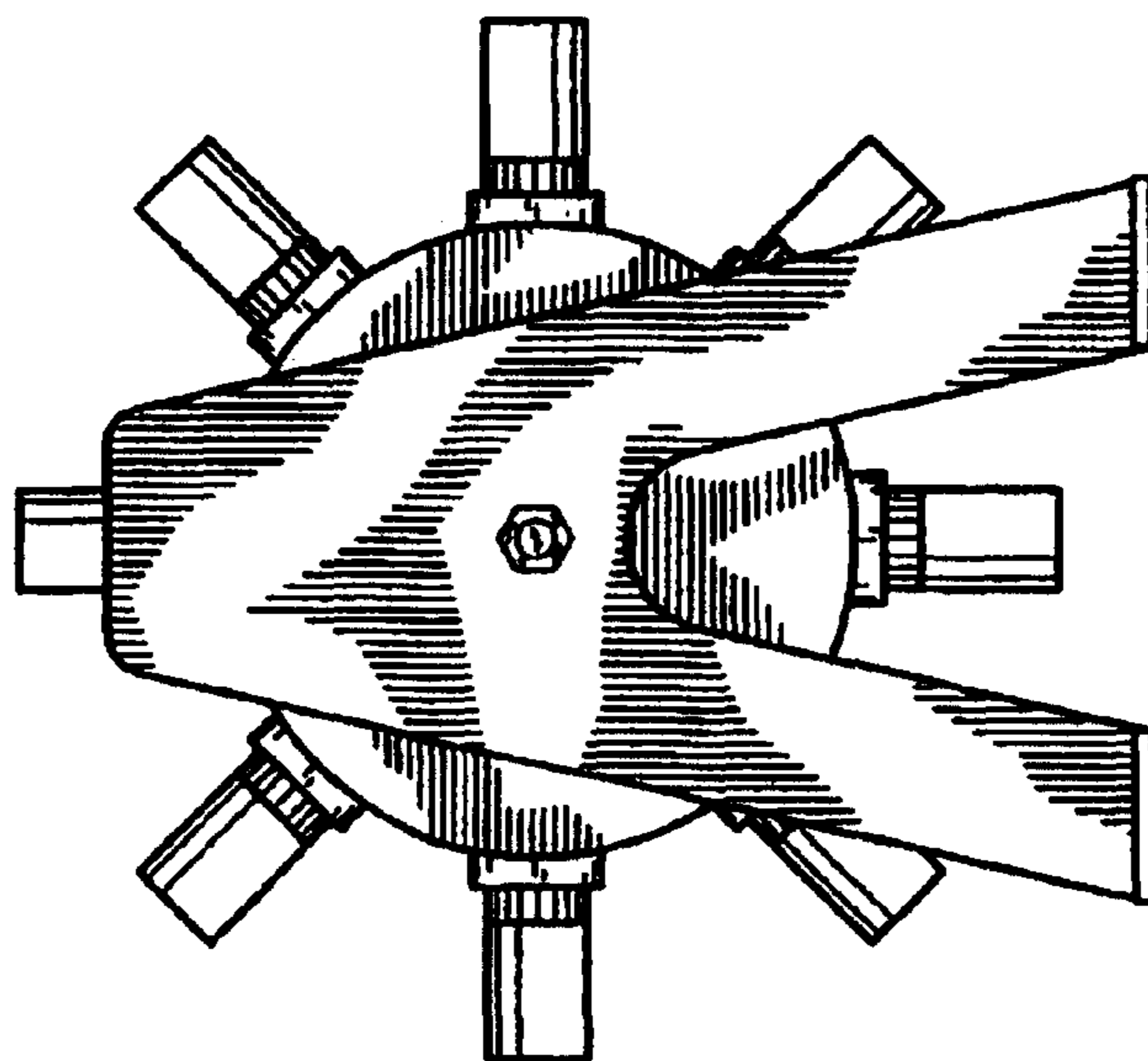


FIG. 4

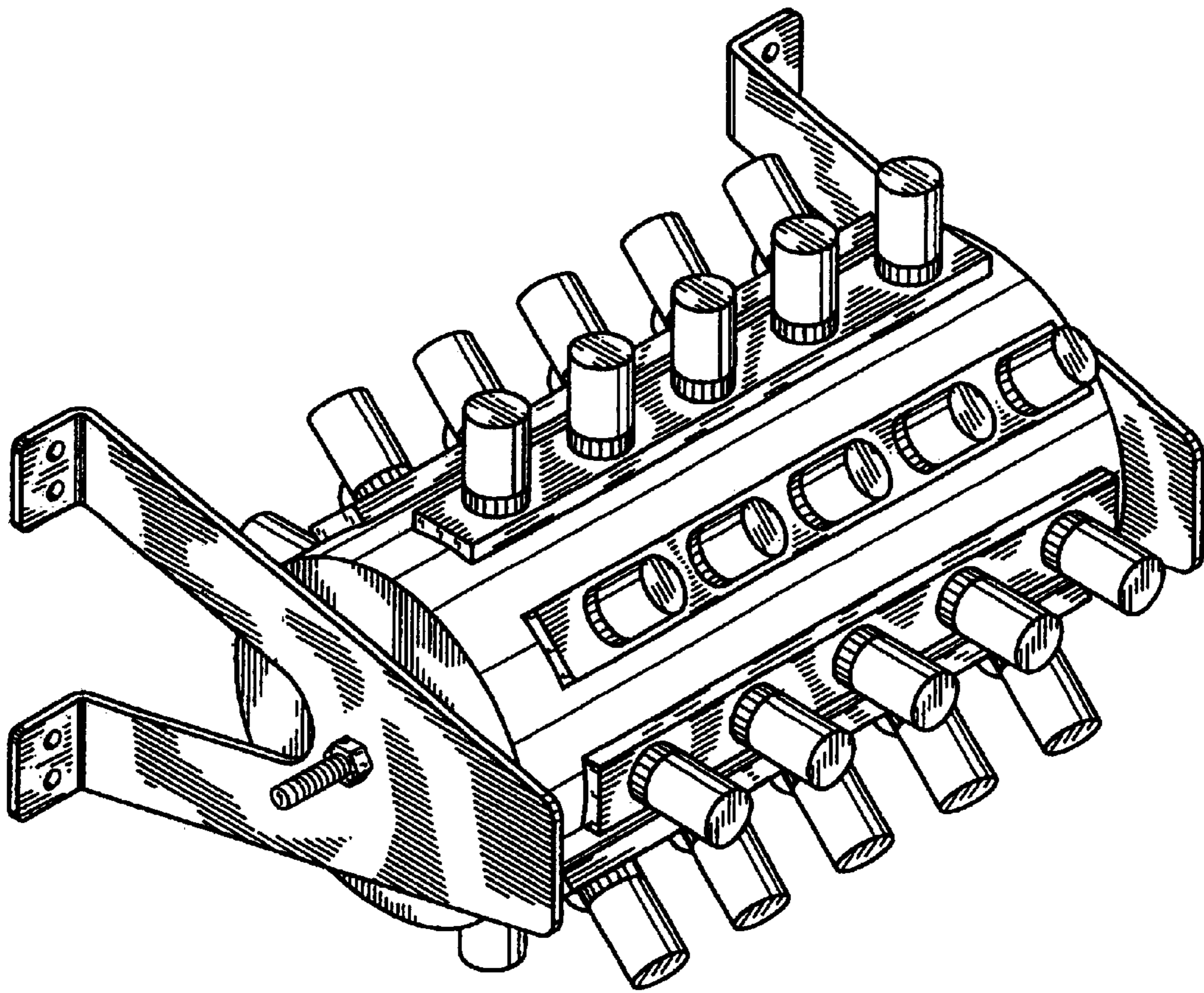


FIG. 5