



US00D542575S

(12) **United States Design Patent**  
**Vong**

(10) **Patent No.:** **US D542,575 S**

(45) **Date of Patent:** **\*\* May 15, 2007**

(54) **CHAIR ARM**

(75) Inventor: **Andy S. Vong**, Venice, CA (US)

(73) Assignee: **True Seating Concepts, LLC** (MU)

(\*\*) Term: **14 Years**

(21) Appl. No.: **29/256,336**

(22) Filed: **Mar. 20, 2006**

(51) **LOC (8) Cl.** ..... **06-06**

(52) **U.S. Cl.** ..... **D6/501; D6/366**

(58) **Field of Classification Search** ..... D6/334-336,  
D6/364, 365, 366, 367, 379, 491, 500-502;  
297/411.2, 411.27, 411.28, 411.36, 411.37,  
297/463.1

See application file for complete search history.

(56) **References Cited**

**U.S. PATENT DOCUMENTS**

D410,151 S	*	5/1999	Chu	.....	D6/366
D442,790 S	*	5/2001	Simons et al.	.....	D6/366
D442,791 S	*	5/2001	Simons et al.	.....	D6/366
D461,077 S	*	8/2002	Lee	.....	D6/501
D492,130 S	*	6/2004	Tai	.....	D6/366

D505,024 S	*	5/2005	Bellin	.....	D6/366
D505,815 S	*	6/2005	Grove	.....	D6/501

\* cited by examiner

*Primary Examiner*—Mimosa De

(74) *Attorney, Agent, or Firm*—Morland C. Fischer

(57) **CLAIM**

The ornamental design for a chair arm, as shown and described.

**DESCRIPTION**

FIG. 1 is a perspective view showing the top, left side and front of a chair arm which forms my new design, the broken lines of a chair being for illustrative purposes only and forming no part of my design;

FIG. 2 is an enlarged left side elevational view thereof;

FIG. 3 is an enlarged top plan view thereof;

FIG. 4 is an enlarged right side elevational view thereof;

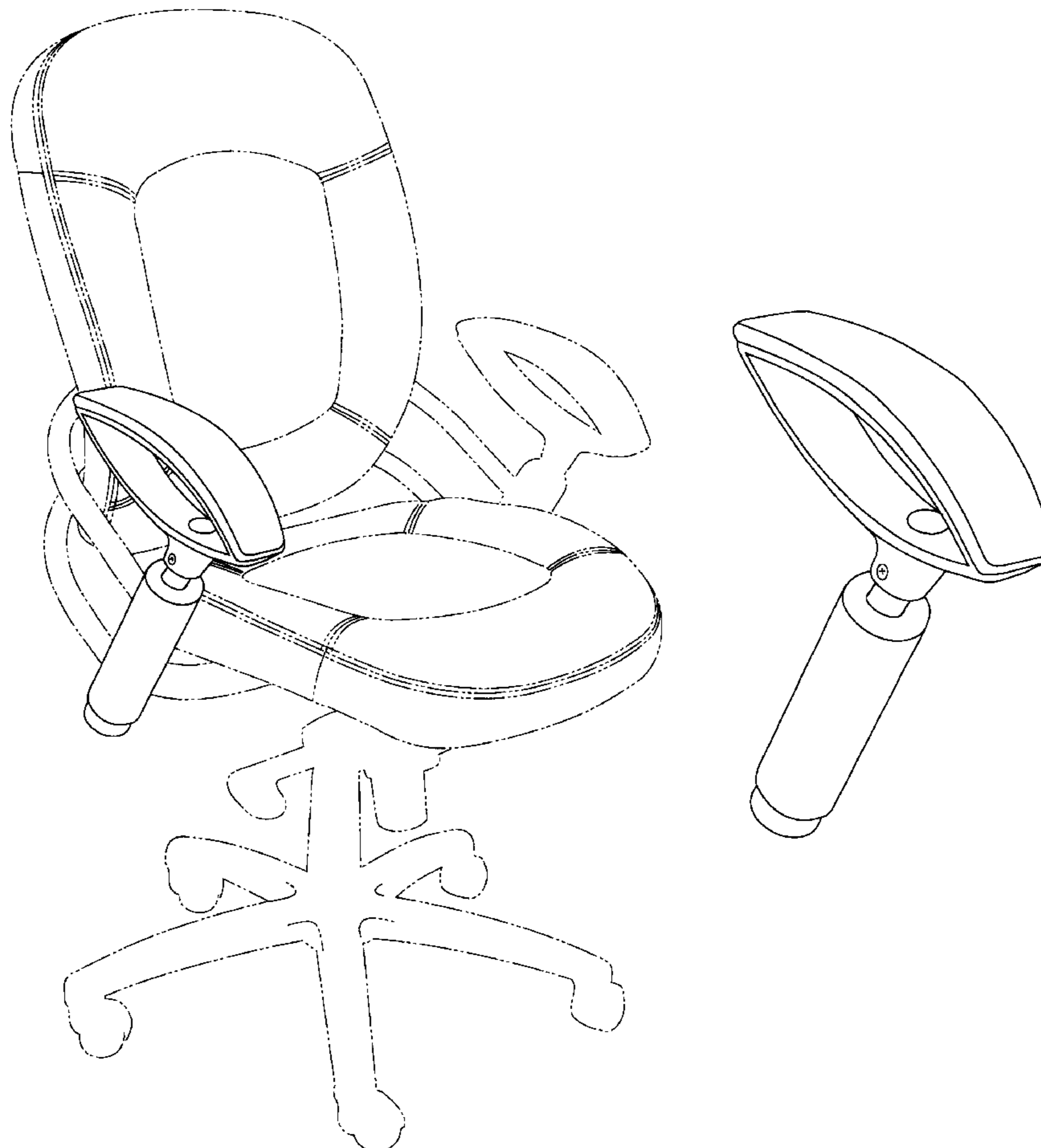
FIG. 5 is an enlarged bottom plan view thereof;

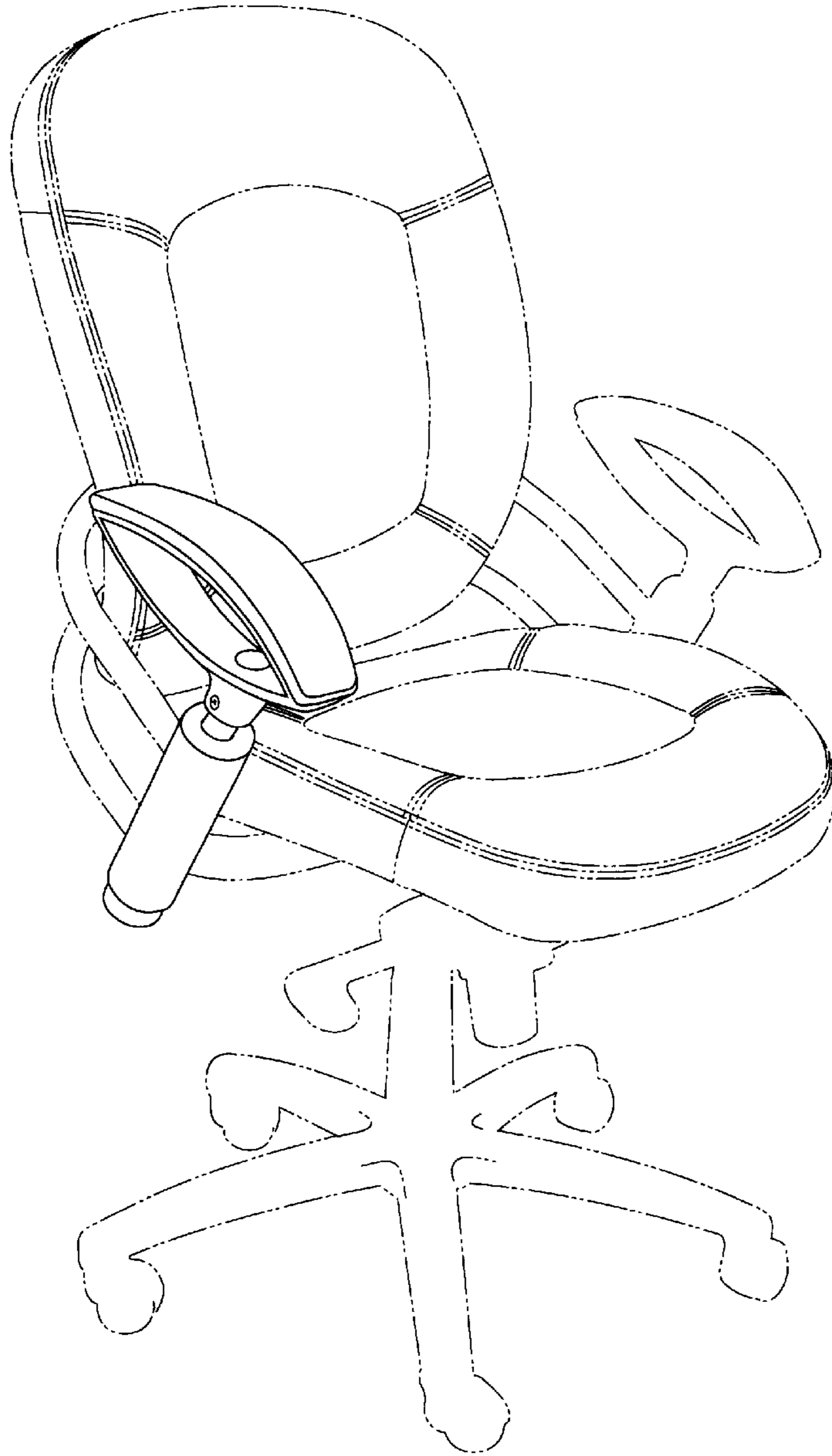
FIG. 6 is an enlarged front elevational view thereof;

FIG. 7 is an enlarged rear elevational view thereof; and,

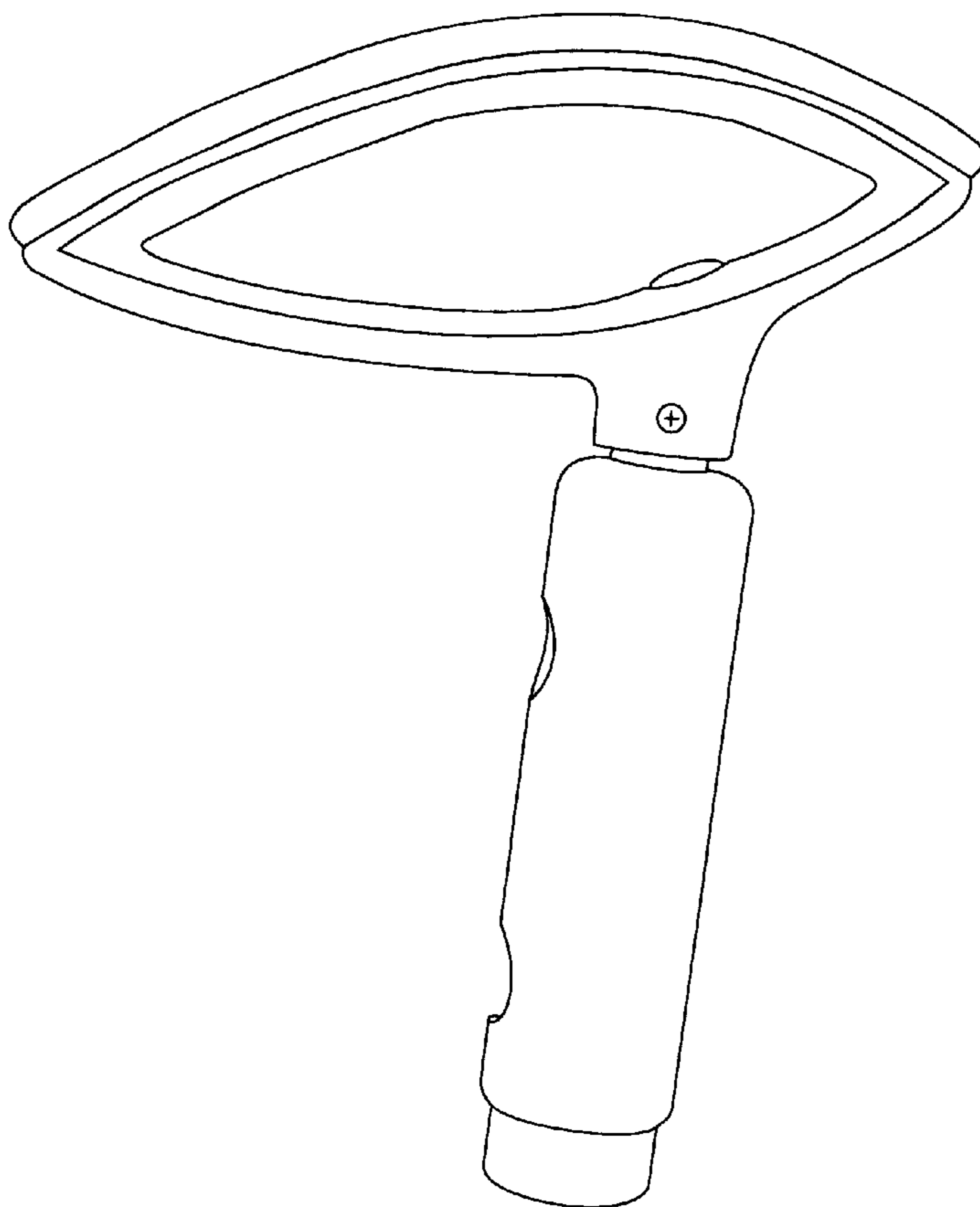
FIG. 8 is an enlarged perspective view showing the top, left side and front thereof.

**1 Claim, 4 Drawing Sheets**

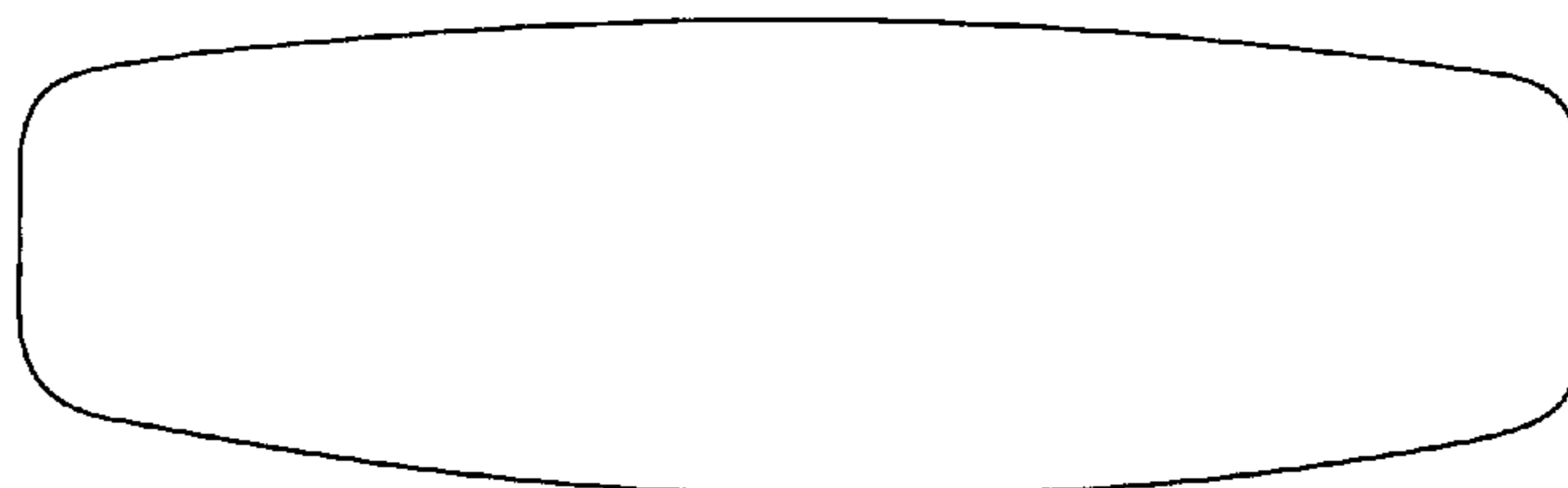




*FIG. 1*



*FIG. 2*



*FIG. 3*

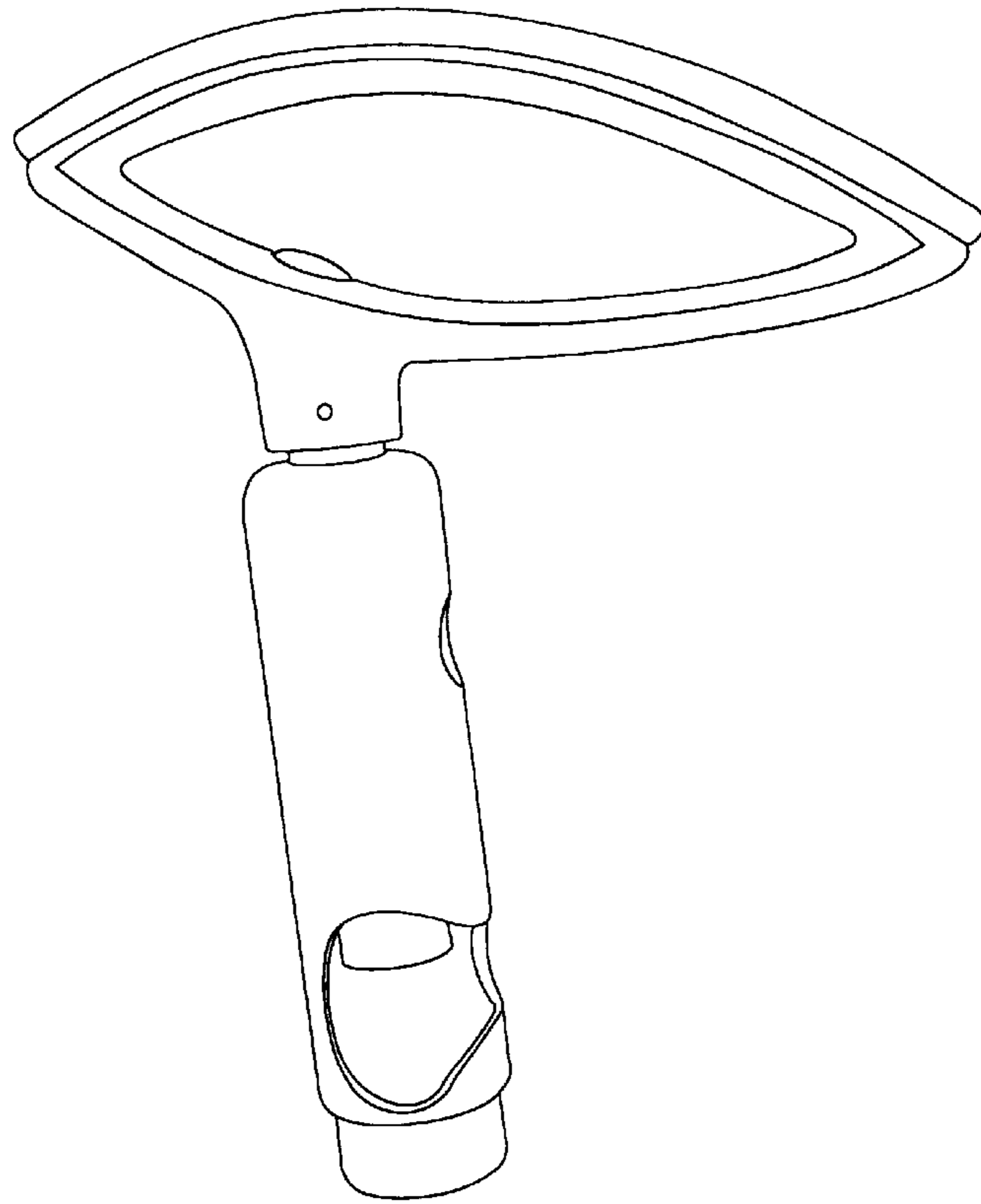


FIG. 4

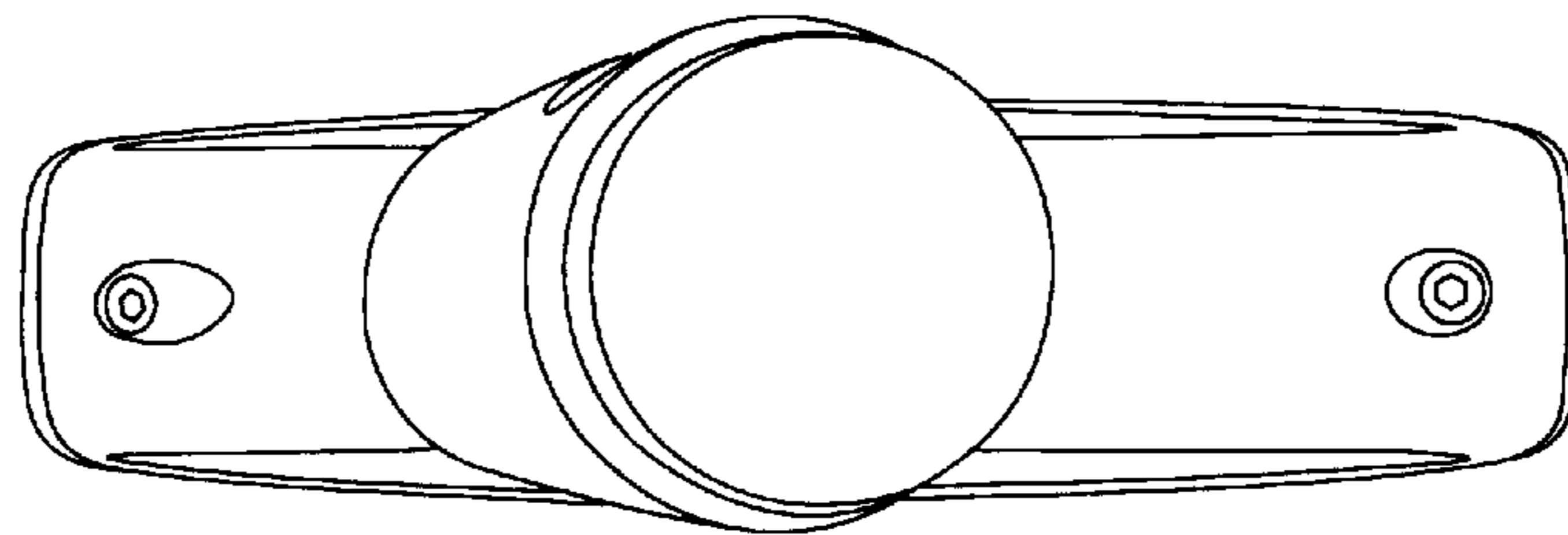
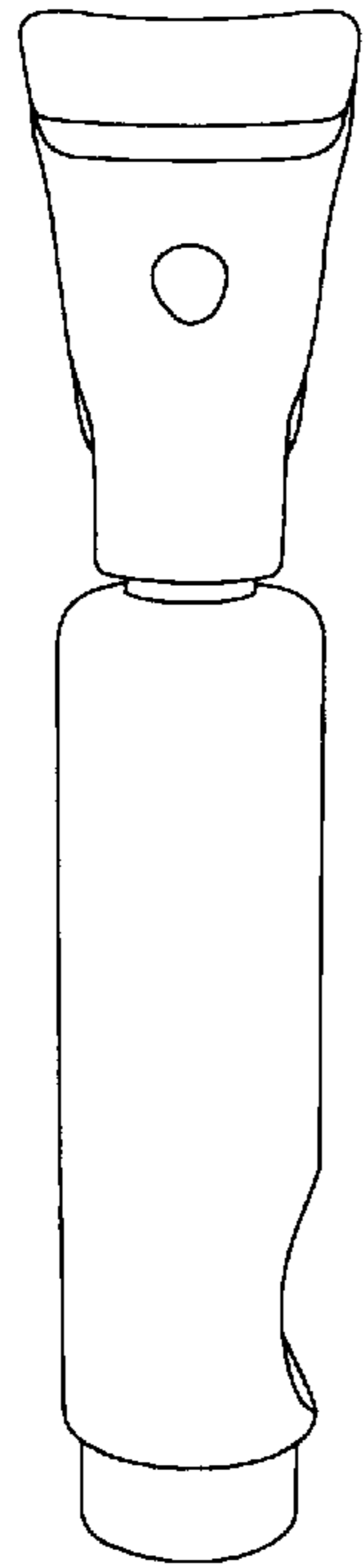
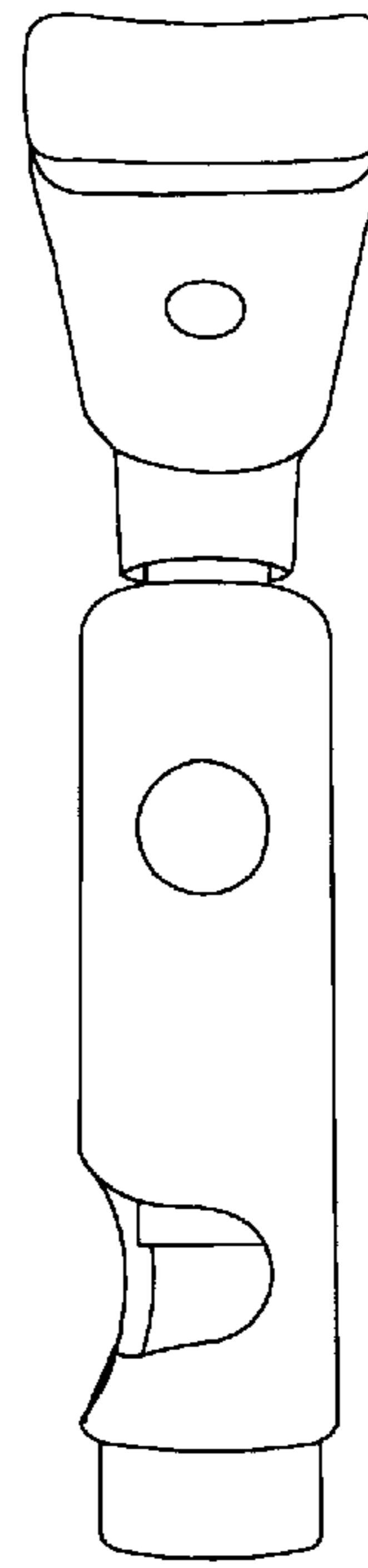


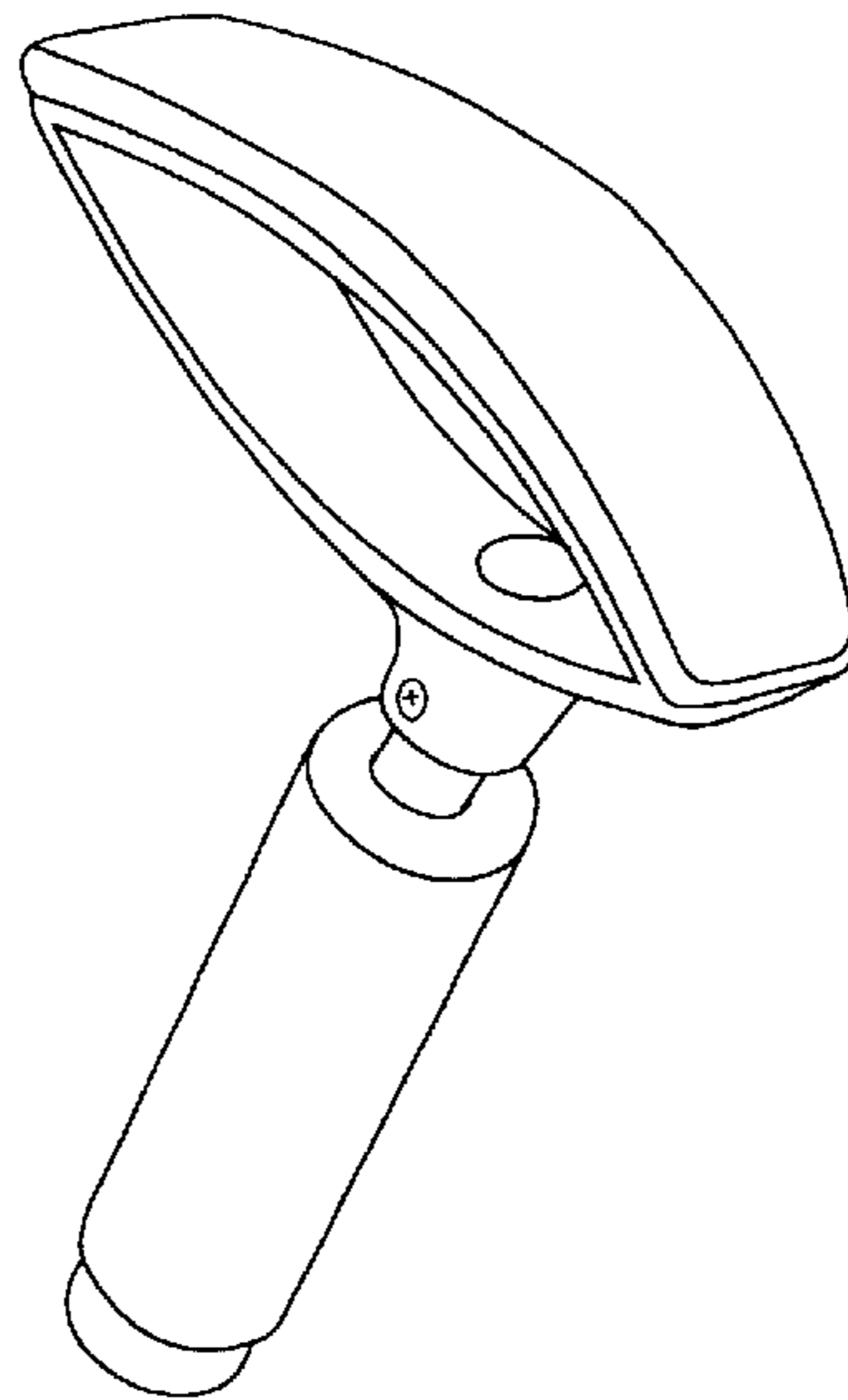
FIG. 5



*FIG. 6*



*FIG. 7*



*FIG. 8*