



US00D542572S

(12) **United States Design Patent**
Green et al.

(10) **Patent No.:** **US D542,572 S**

(45) **Date of Patent:** **** May 15, 2007**

(54) **SEATING SUPPORT**

(75) Inventors: **Chris Green**, San Francisco, CA (US);
Ana Maria Reza-Hadden, San Rafael,
CA (US)

(73) Assignee: **Landscape Forms, Inc.**, Kalamazoo,
MI (US)

(**) Term: **14 Years**

(21) Appl. No.: **29/216,037**

(22) Filed: **Oct. 28, 2004**

(51) **LOC (8) Cl.** **06-01**

(52) **U.S. Cl.** **D6/499**

(58) **Field of Classification Search** D6/332,
D6/335-337, 340, 349, 355, 352-353, 369-370,
D6/381, 495, 499-502; 5/12.1; 108/118,
108/119, 137; 297/16.1-16.2, 451.9, 452.11,
297/452.63, 217.1, 31, 175, 423.1, 423.16,
297/461, 232

See application file for complete search history.

(56) **References Cited**

U.S. PATENT DOCUMENTS

681,394	A	*	8/1901	Hile	297/157.1
1,143,416	A	*	6/1915	Matthews	232/1 R
D190,744	S	*	6/1961	Guice	D6/337
D194,038	S	*	11/1962	Preston	D6/337
3,414,301	A	*	12/1968	Crowe	403/237
D226,546	S	*	3/1973	Priefert	D6/499
D244,409	S	*	5/1977	Arnold	D6/337
D250,151	S	*	11/1978	Pingel	D6/337
D268,971	S	*	5/1983	Reineman	D6/337
D286,953	S	*	12/1986	Mayo	D6/337
4,738,484	A	*	4/1988	Leong	297/158.3
D327,178	S	*	6/1992	Ryaa	D6/337
D368,807	S	*	4/1996	Noll	D6/337
D369,912	S	*	5/1996	Noll	D6/337
D369,913	S	*	5/1996	Noll	D6/337
D387,913	S	*	12/1997	Yurk	D6/337
D413,734	S	*	9/1999	Bue	D6/337
D417,965	S	*	12/1999	Strong et al.	D6/337
6,065,802	A	*	5/2000	Bue	297/158.4

D431,918	S	*	10/2000	Tseng	D6/337
D439,060	S	*	3/2001	Larsen	D6/337
6,254,178	B1	*	7/2001	Bue	297/159.1
D448,938	S	*	10/2001	Ng et al.	D6/337
6,386,628	B2	*	5/2002	Bue	297/158.3
D467,437	S	*	12/2002	Ott	D6/337
D467,438	S	*	12/2002	Ott	D6/337
D468,116	S	*	1/2003	Champion	D6/336

(Continued)

OTHER PUBLICATIONS

Fusion K Coating, Inc. catalog, 1996, 4 pgs.*
 “Site Furnishings For A Lifetime”, 02870/THO, Sweet
 BuyLine 203, Thomas Steele, Middleton, WI, 2 pages.
 “Signature Series”, Leisure Craft, Inc. Hendersonville, NC,
 1 page.
 “Plastisol Furniture Line”, 02870/KAY, Sweet BuyLine
 3835, Kay Park Recreation Corp., Janesville, IA, 2 pages.
[http://www.forms-surfaces.com/products/images/site/vista/
 VIS_01.jpg](http://www.forms-surfaces.com/products/images/site/vista/VIS_01.jpg), 1 page.
 “Carousel”, Landscapeforms, Kalamazoo, MI, 8 pages.

Primary Examiner—Sandra Snapp
 (74) *Attorney, Agent, or Firm*—Heslin Rothenberg Farley
 & Mesiti P.C.

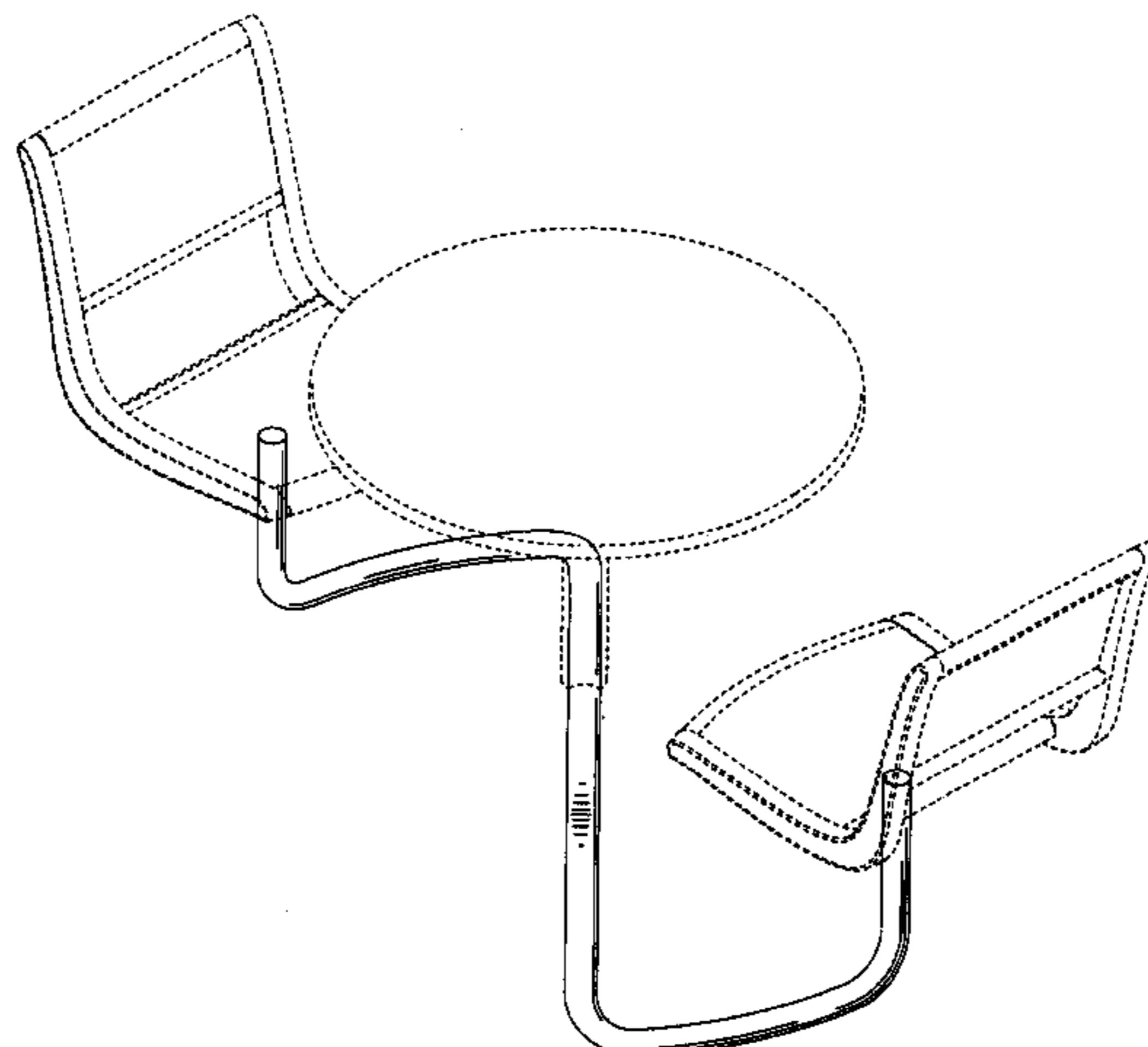
(57) **CLAIM**

The ornamental design for a seating support, as shown and
decried.

DESCRIPTION

FIG. 1 is an isometric view of the seating support of present
design;
 FIG. 2 is a front elevation view thereof, the rear elevation
view being a mirror image thereof;
 FIG. 3 is a right side elevation view thereof, the left side
elevation view being a mirror image thereof;
 FIG. 4 is a top plan view thereof; and,
 FIG. 5 is a bottom plan view thereof.
 The broken line is for illustrative purposes only and forms
no part of the claimed invention.

1 Claim, 5 Drawing Sheets



US D542,572 S

Page 2

U.S. PATENT DOCUMENTS

D473,387 S	*	4/2003	Noll	D6/337	D489,539 S	*	5/2004	Thomas et al.	D6/337
D478,732 S	*	8/2003	Pajerski et al.	D6/337	D496,799 S	*	10/2004	Thomas et al.	D6/337
D479,406 S	*	9/2003	Pajerski et al.	D6/337	D497,262 S	*	10/2004	Thomas et al.	D6/337
D479,773 S	*	9/2003	Pajerski et al.	D6/337	D514,830 S	*	2/2006	Bue	D6/337

* cited by examiner

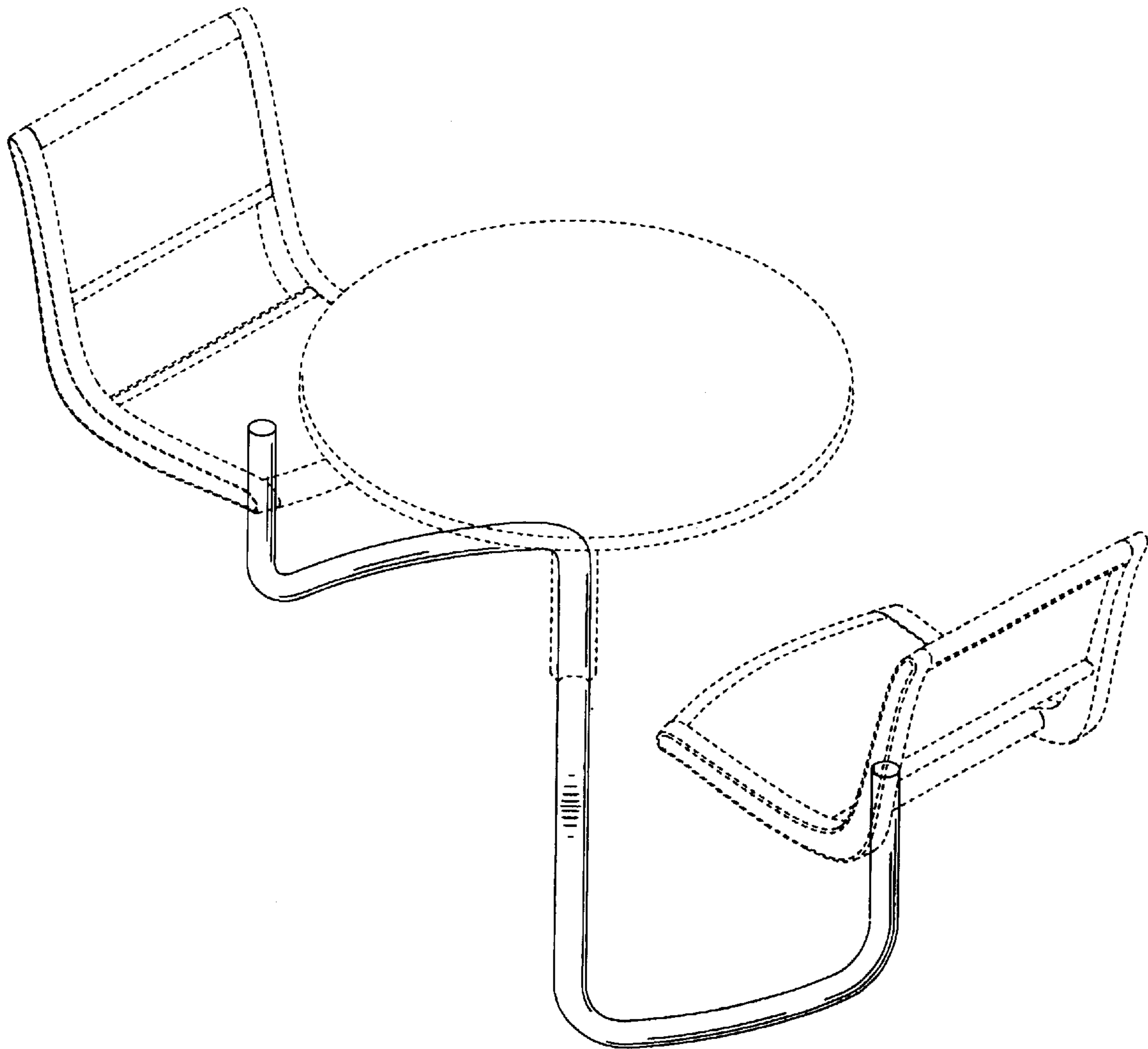


FIG. 1

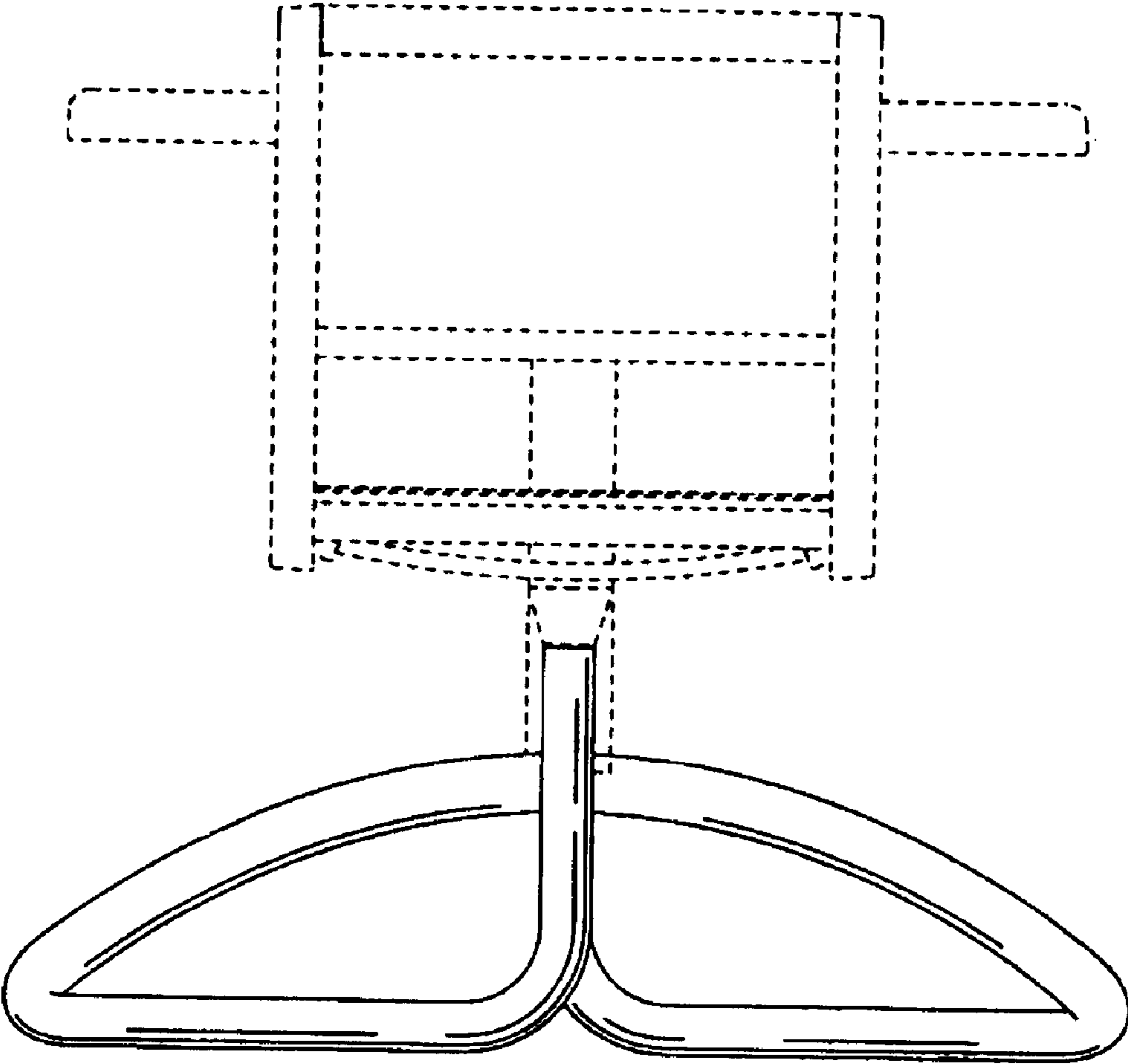


FIG. 2

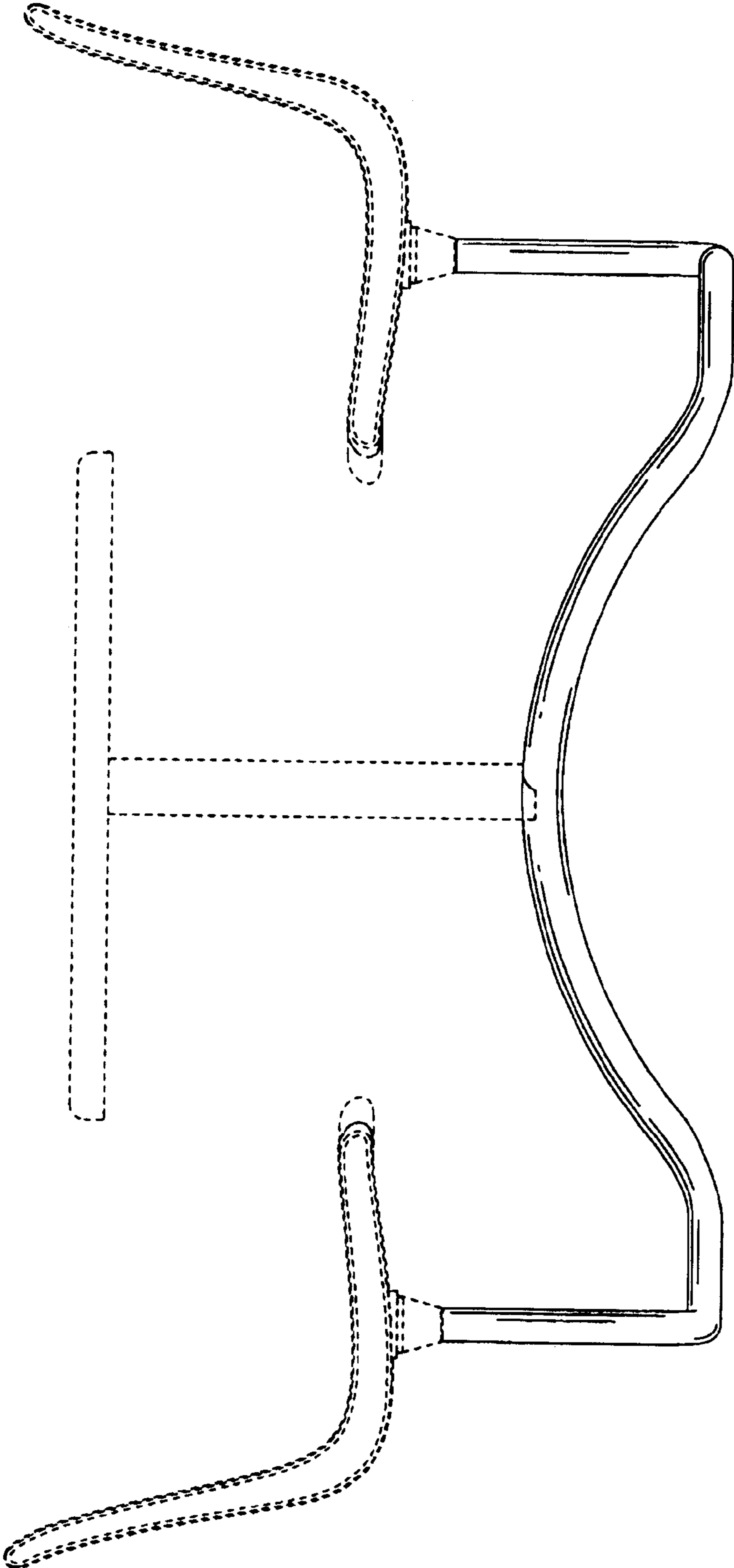


FIG. 3

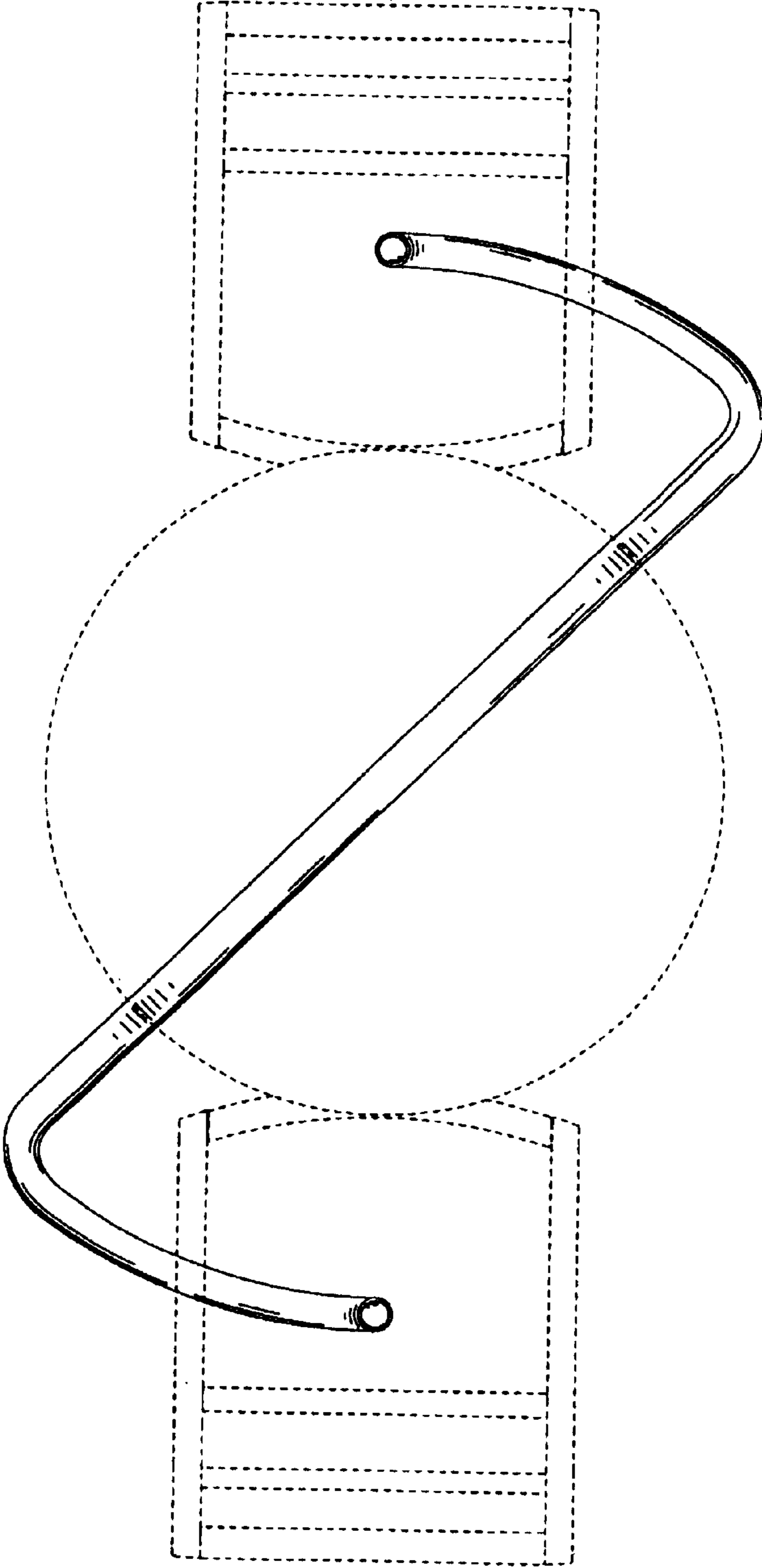


FIG. 4

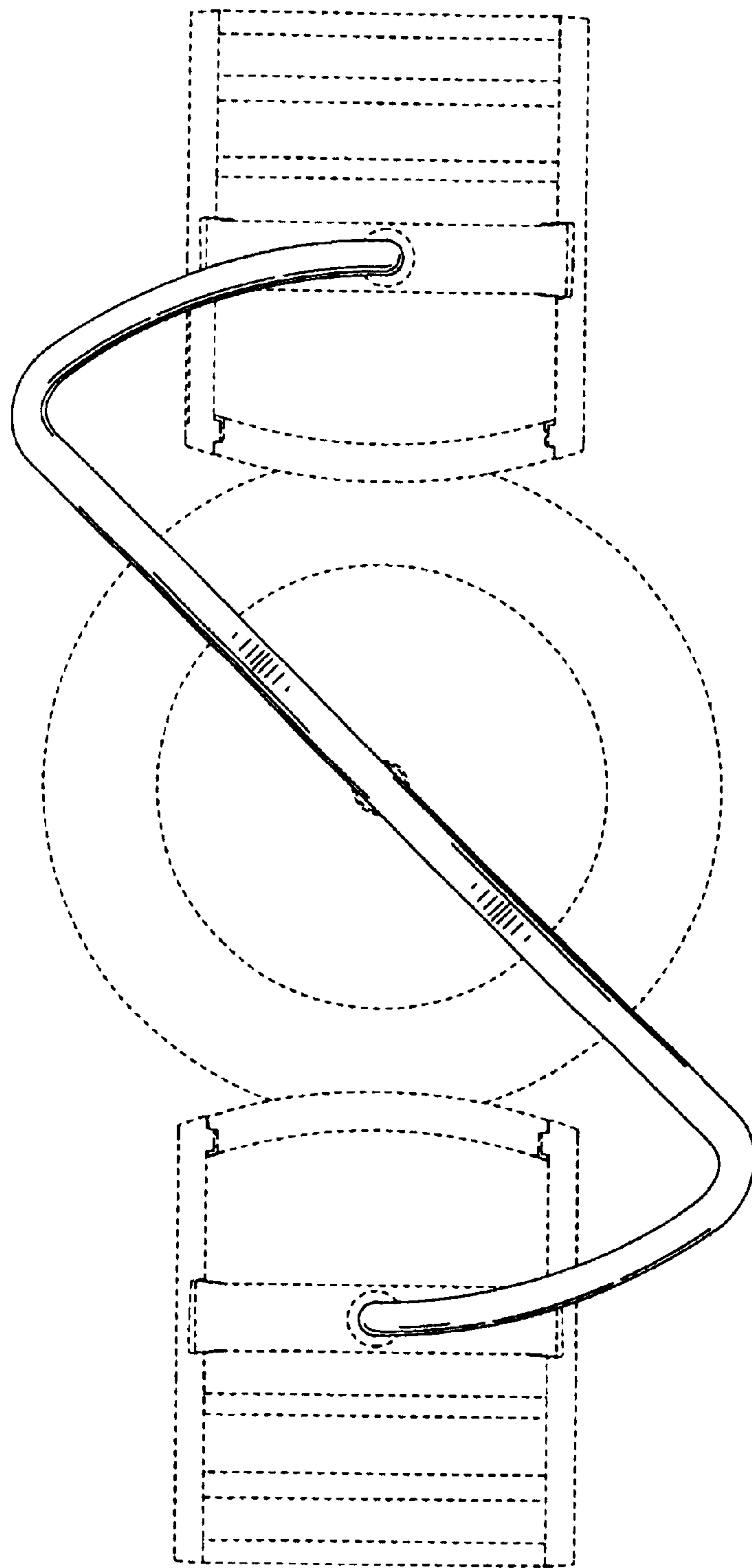


FIG. 5