



US00D542571S

(12) **United States Design Patent** (10) **Patent No.:** **US D542,571 S**
Bryant et al. (45) **Date of Patent:** **** May 15, 2007**

(54) **SEAT PORTION**

- (75) Inventors: **Zachary H. Bryant**, Taylorsville, NC (US); **Trisa K. Barnes**, Hickory, NC (US)
- (73) Assignee: **Lane Furniture Industries Inc.**, Tupelo, MS (US)
- (**) Term: **14 Years**
- (21) Appl. No.: **29/212,876**
- (22) Filed: **Sep. 9, 2004**
- (51) **LOC (8) Cl.** **06-06**
- (52) **U.S. Cl.** **D6/492; D6/369**
- (58) **Field of Classification Search** D6/334, D6/335, 336, 369, 370-373, 374, 375, 379, D6/380, 381, 492, 500-502; 297/411.41, 297/445.1, 4, 451.9, 452.64, 411.45
See application file for complete search history.

(56) **References Cited**

U.S. PATENT DOCUMENTS

1,721,999	A	*	7/1929	Jacobs	297/411.41
D234,329	S	*	2/1975	Rocchia	D6/369
D234,330	S	*	2/1975	Rocchia	D6/369
D243,571	S	*	3/1977	Wisner	D6/369
D265,953	S	*	8/1982	Olko	D6/369
D274,870	S	*	7/1984	Claman	D6/369
D275,343	S	*	9/1984	Claman	D6/369
D360,993	S		8/1995	White	D6/369
D372,365	S	*	8/1996	Paus	D6/369
D391,090	S	*	2/1998	Schwartz	D6/369
D412,408	S	*	8/1999	Navone	D6/369
D413,448	S	*	9/1999	Navone	D6/369
D421,853	S	*	3/2000	Black	D6/381
D431,383	S	*	10/2000	Frinier	D6/369
D456,629	S	*	5/2002	Rosebrock et al.	D6/369
D460,873	S	*	7/2002	Frinier	D6/369
D463,147	S		9/2002	Montalbano	D6/369
D491,378	S	*	6/2004	Tyler	D6/369
D499,896	S	*	12/2004	Gruber	D6/369

OTHER PUBLICATIONS

- Cuddle Chair, Chesapeake Collection, Lane Furniture Industries, Inc., date unknown, available as of the filing date.
- Broyhill Chair #45, Broyhill Furniture, website printout, 2004, believed to be available as of filing date.
- Chair, Boyles Furniture, website printout, 2004, believed to be available as of filing date.
- Cameroon Cuddle Chair, Excursions Collection brochure, Lane Furniture Industries, Inc., date unknown, available as of the filing date.
- Chaise, Weathermaster Natural Wicker Collection brochure, Lane Furniture Industries, Inc., 2003.
- Morris Chair, Weathermaster Natural Wicker Collection brochure, Lane Furniture Industries, Inc., 2003.
- Rocker, Weathermaster Natural Wicker Collection brochure, Lane Furniture Industries, Inc., 2003.
- Pub Loveseat, Excursions Kashmir Collection brochure, Lane Furniture Industries, Inc., date unknown, available as of the filing date.

* cited by examiner

Primary Examiner—Mimosa De

(74) *Attorney, Agent, or Firm*—Womble Carlyle Sandridge & Rice, PLLC

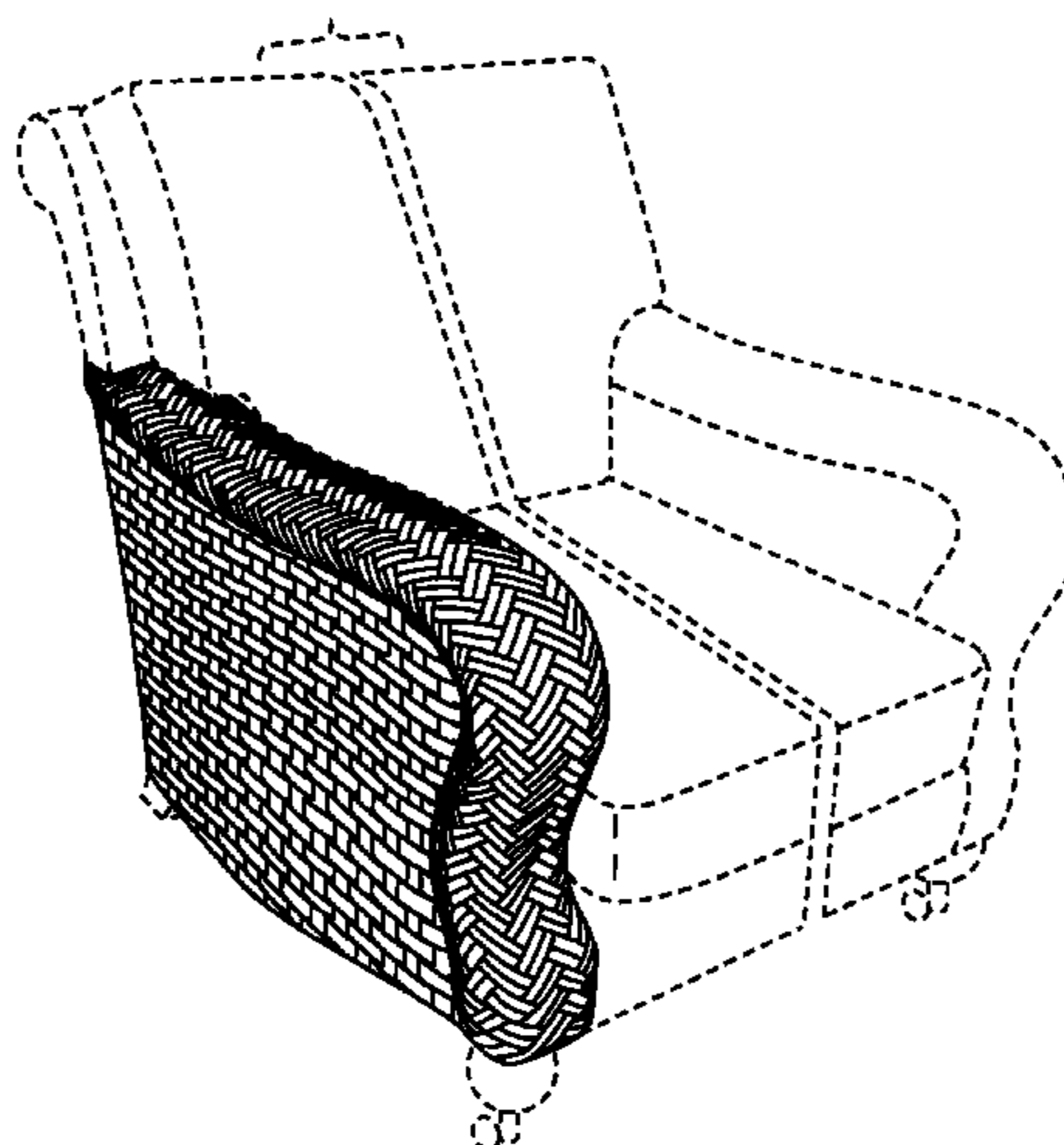
(57) **CLAIM**

The ornamental design for a seat portion, as shown and described.

DESCRIPTION

FIG. 1 is a perspective view of a seat portion showing our new design;
 FIG. 2 is a side elevational view thereof;
 FIG. 3 is a front elevational view thereof; and,
 FIG. 4 is an inner perspective view thereof.
 The views of the seat portion not shown form no part of the claimed design. The broken lines depicting feet and the remaining portions of a chair represent environmental elements only and form no part of the claimed design.

1 Claim, 4 Drawing Sheets



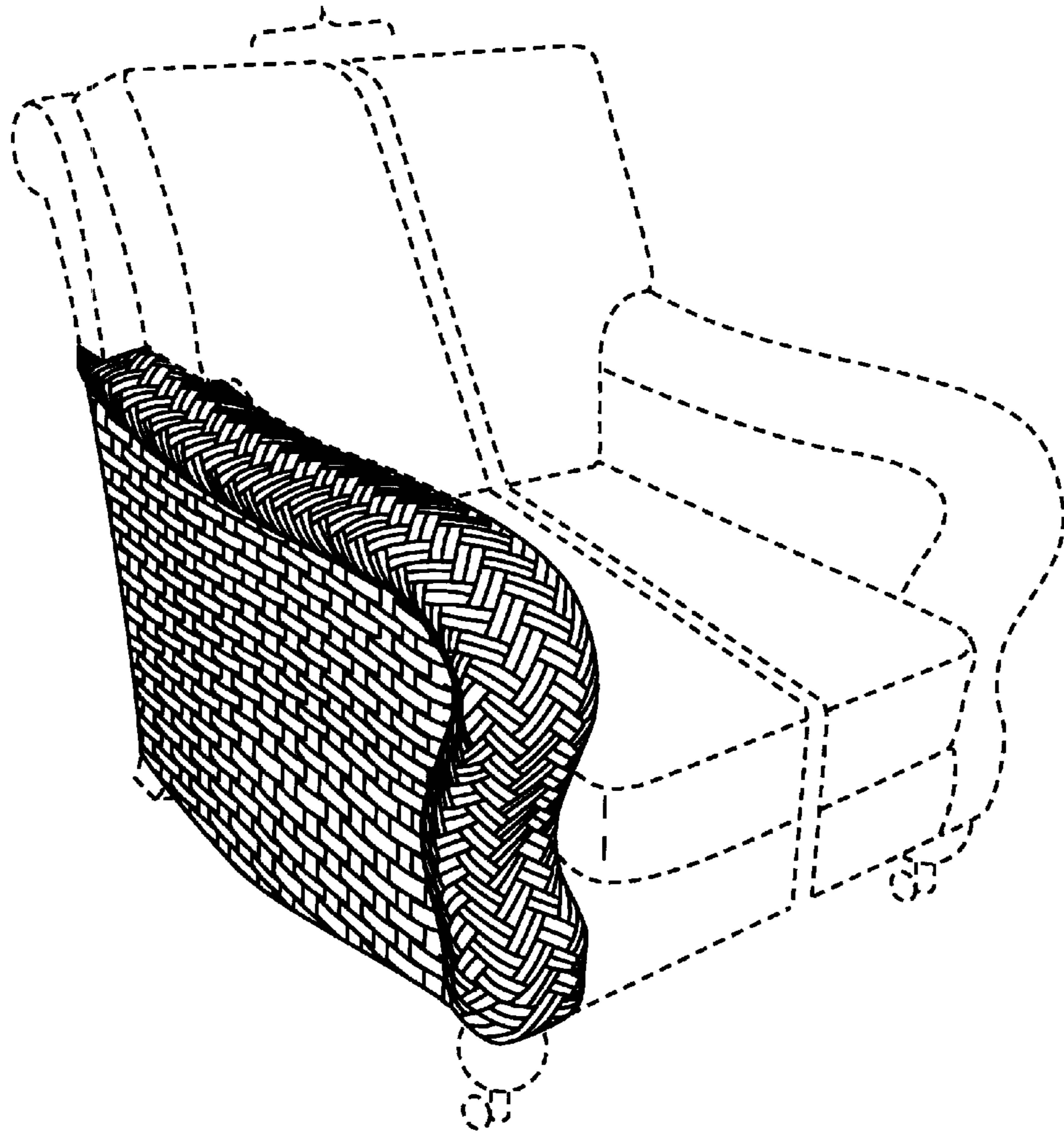


FIG. 1

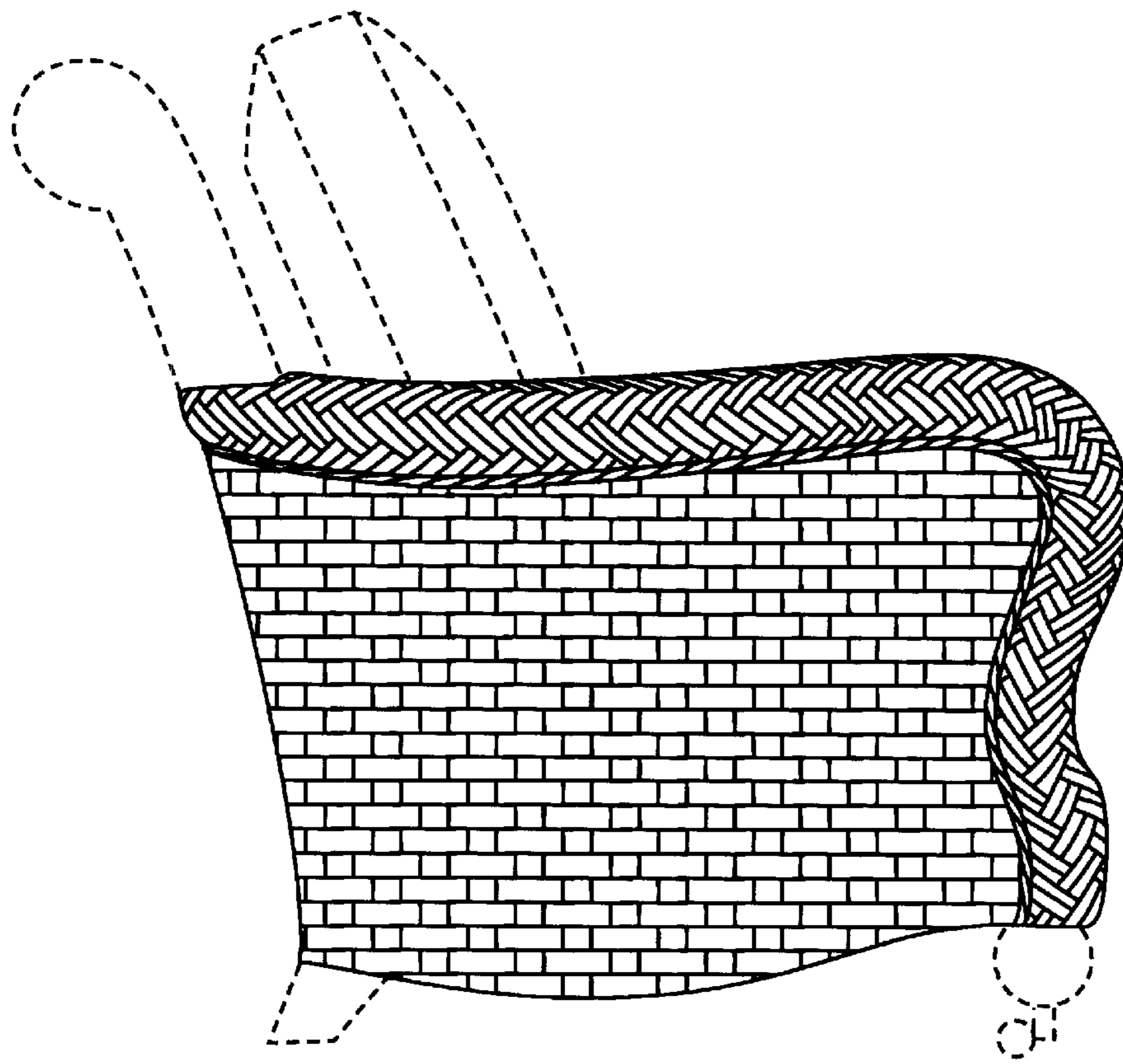


FIG. 2

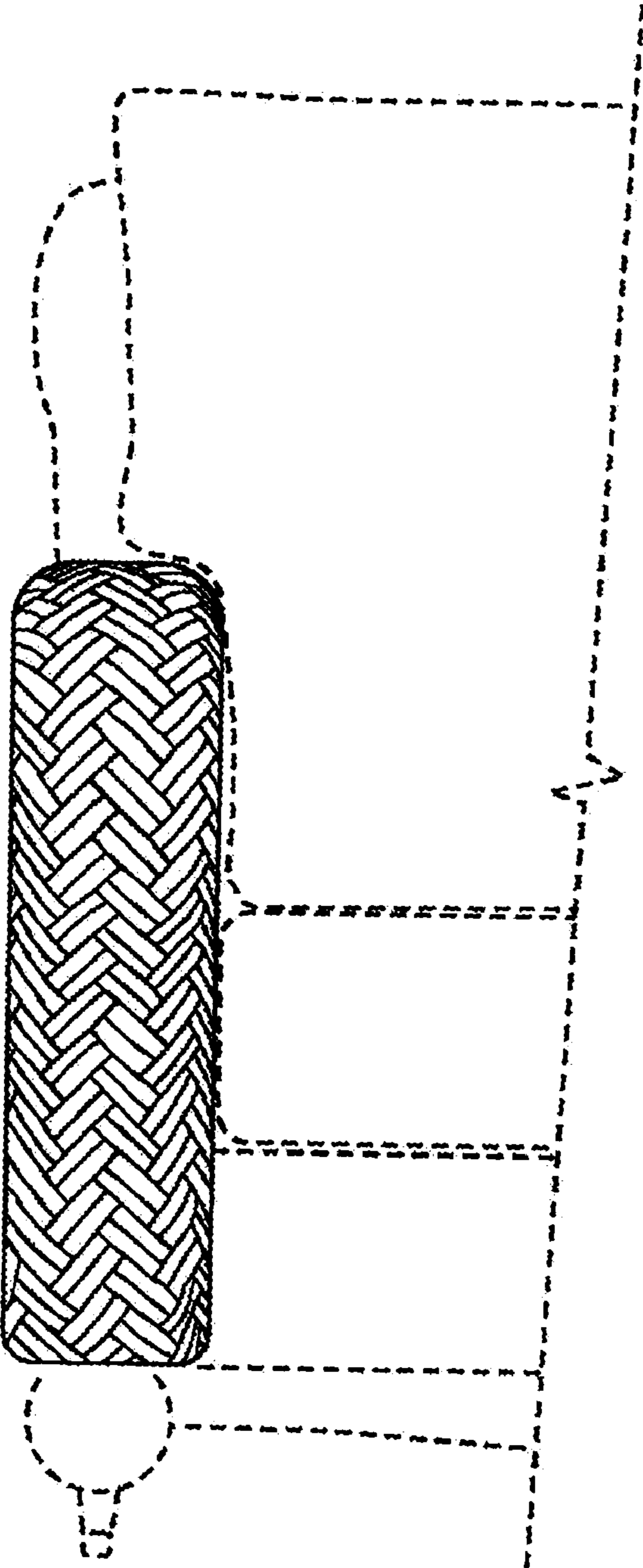


FIG. 3

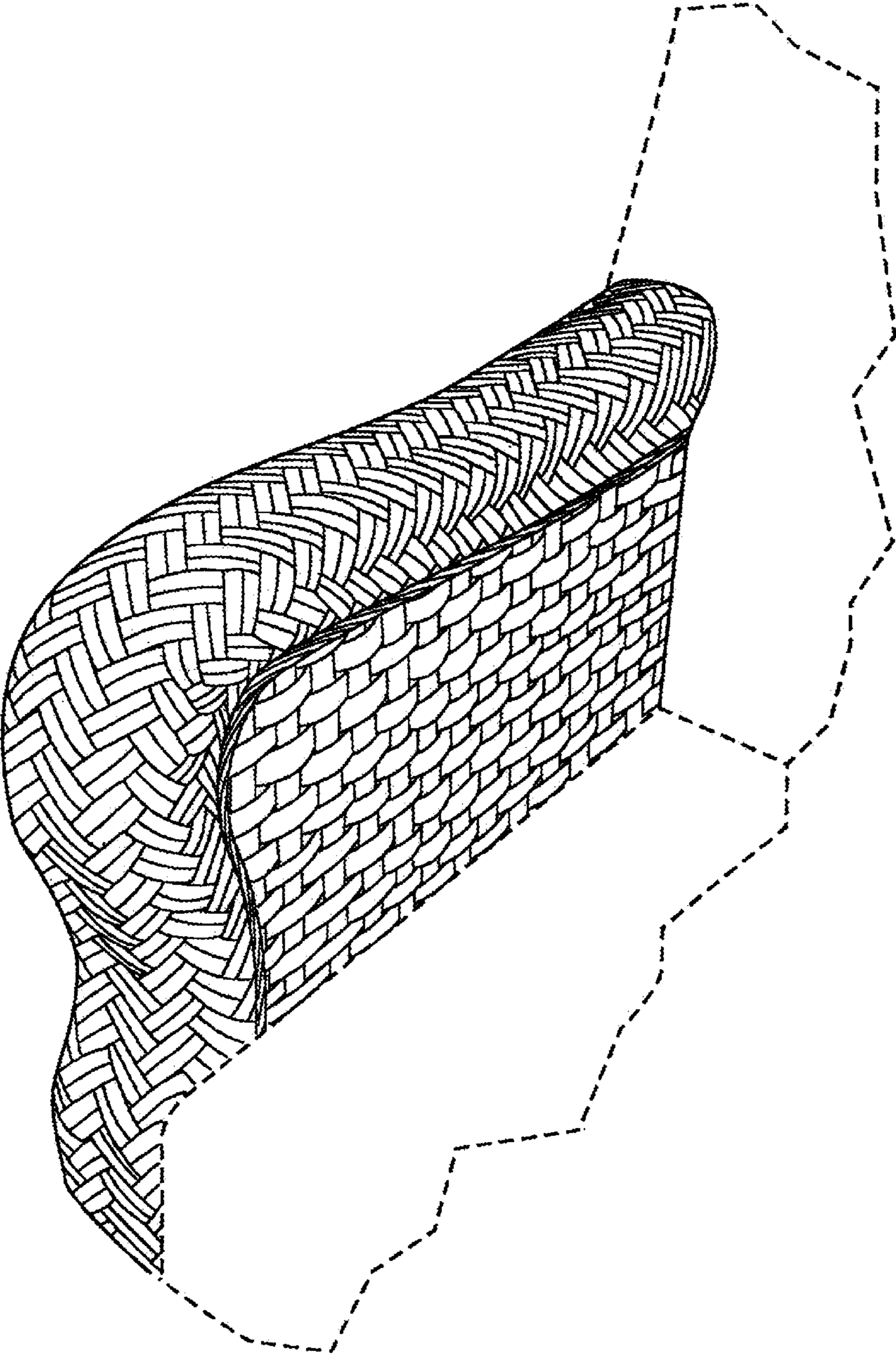


FIG. 4