



US00D542567S

(12) **United States Design Patent**
Lepkowski

(10) **Patent No.:** **US D542,567 S**

(45) **Date of Patent:** **** May 15, 2007**

(54) **FLAMINGO PLANTER**

(75) **Inventor:** **Gregory L. Lepkowski**, 4625 S.
Kansas Ave., St. Francis, WI (US)
53235

(73) **Assignee:** **Gregory L. Lepkowski**, St. Francis, WI
(US)

(**) **Term:** **14 Years**

(21) **Appl. No.:** **29/256,320**

(22) **Filed:** **May 15, 2006**

(51) **LOC (8) Cl.** **11-02**

(52) **U.S. Cl.** **D6/404**

(58) **Field of Classification Search** D11/143-149,
D11/152-156, 162; D6/403, 404, 556-558;
D7/515, 518, 521, 523, 549, 554.3, 562, 564;
D19/77, 80-82, 84, 85; D26/9, 16; 47/32.7,
47/33, 39, 41.01, 41.1, 41.12-41.15, 44-47,
47/65.5, 66.1, 66.6, 66.7, 67-71

See application file for complete search history.

(56) **References Cited**

U.S. PATENT DOCUMENTS

D253,943 S * 1/1980 Bales D11/149

D254,056 S * 1/1980 Bales D11/149
4,196,542 A * 4/1980 West 47/70
4,258,503 A * 3/1981 Bales 47/41.12
4,879,838 A * 11/1989 Vicenes 47/45
D309,587 S * 7/1990 Vicenes D11/149
D436,329 S * 1/2001 Sheridan D11/162
D436,555 S * 1/2001 Sheridan D11/162
D461,331 S * 8/2002 Glaubitz D6/404
2003/0121203 A1 * 7/2003 Lin 47/47

* cited by examiner

Primary Examiner—Robert M. Spear
Assistant Examiner—Garth Rademaker

(57) **CLAIM**

The ornamental design for a flamingo planter, as shown.

DESCRIPTION

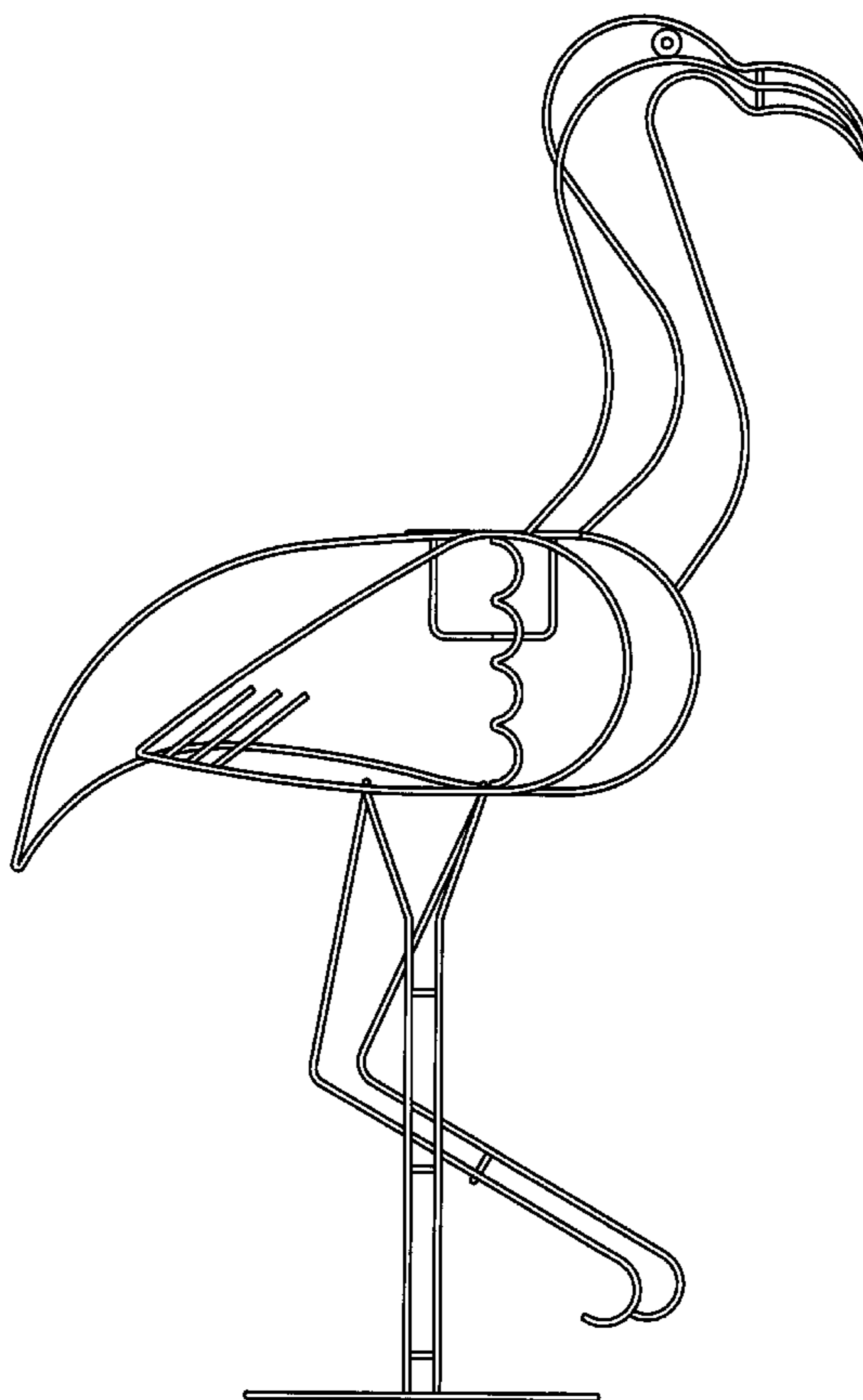
FIG. 1 is a right side elevational view showing my new design;

FIG. 2 is a front elevational view thereof;

FIG. 3 is a rear elevational view thereof; and,

FIG. 4 is a top plan view thereof.

1 Claim, 3 Drawing Sheets



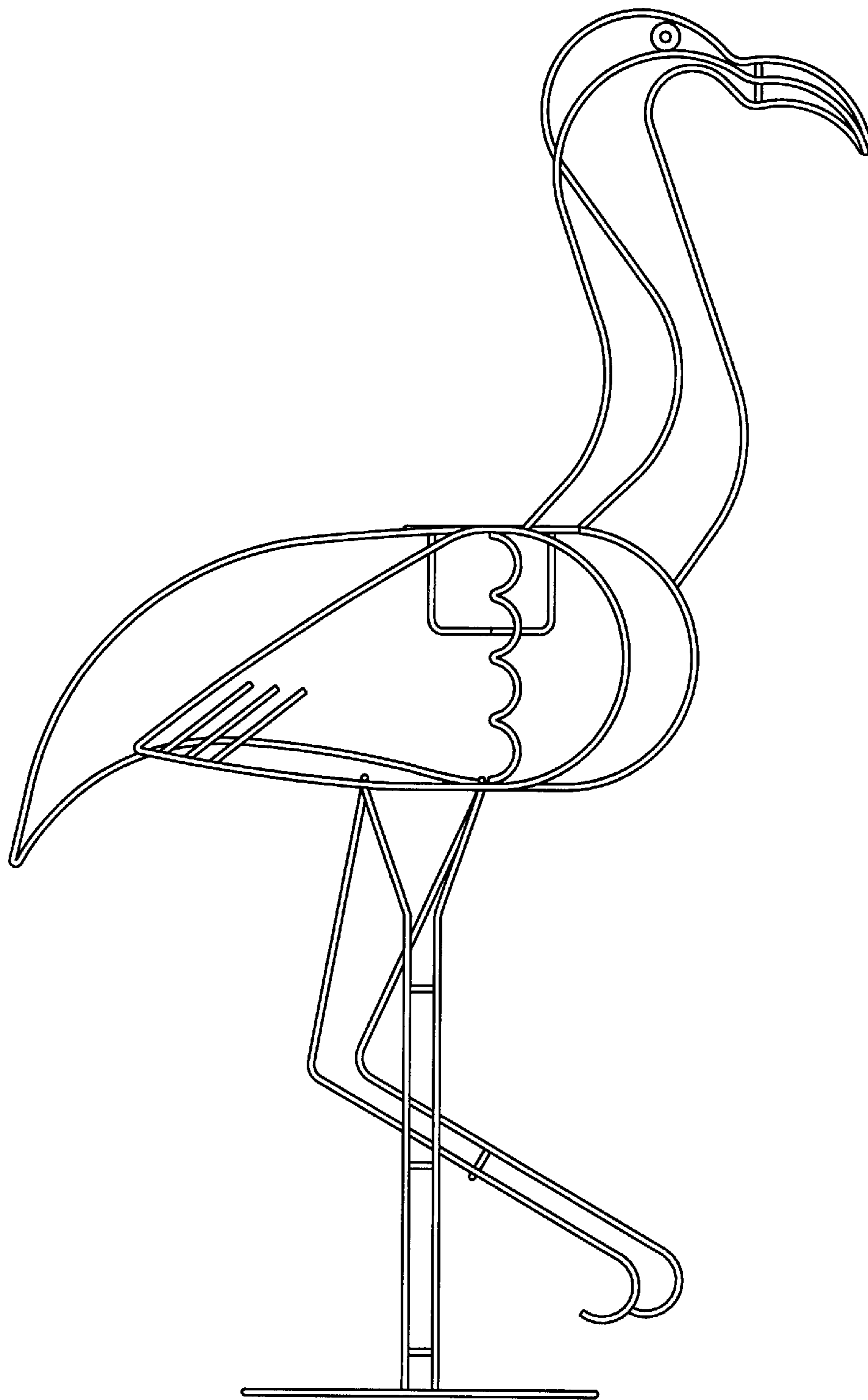


FIG. 1

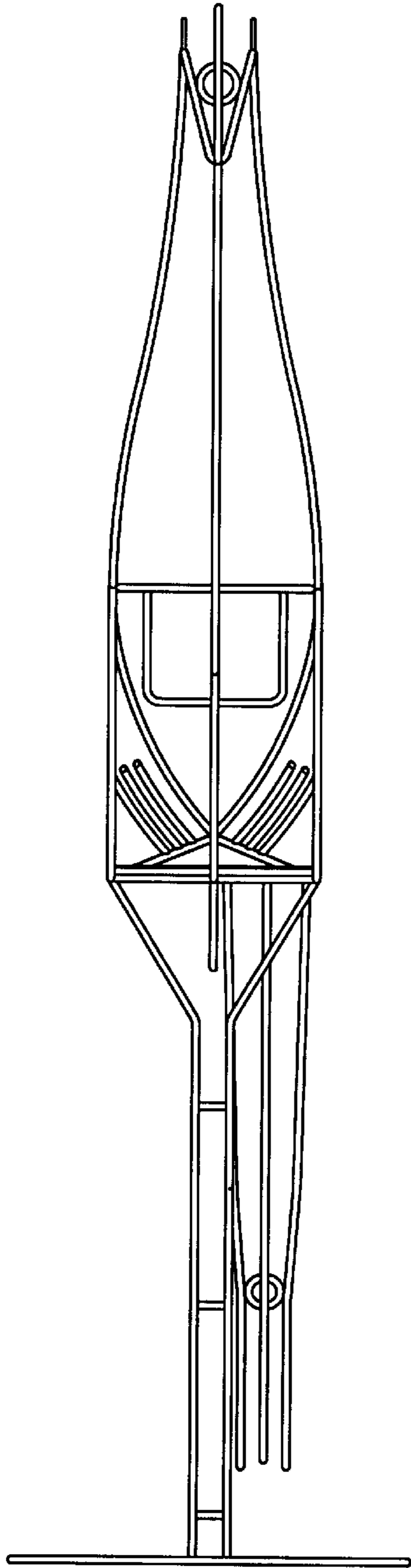


FIG. 2

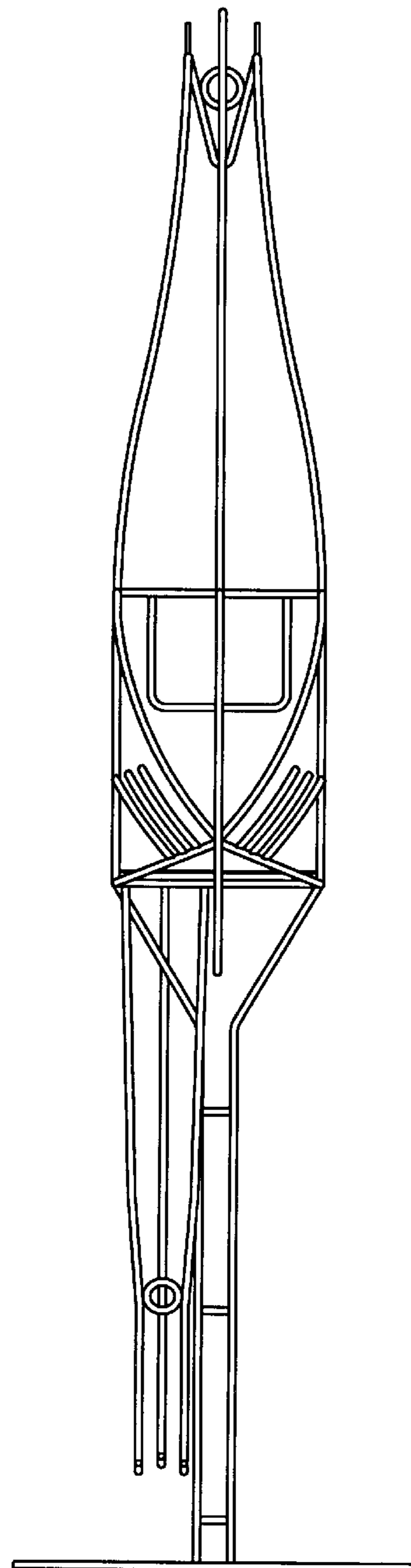


FIG. 3

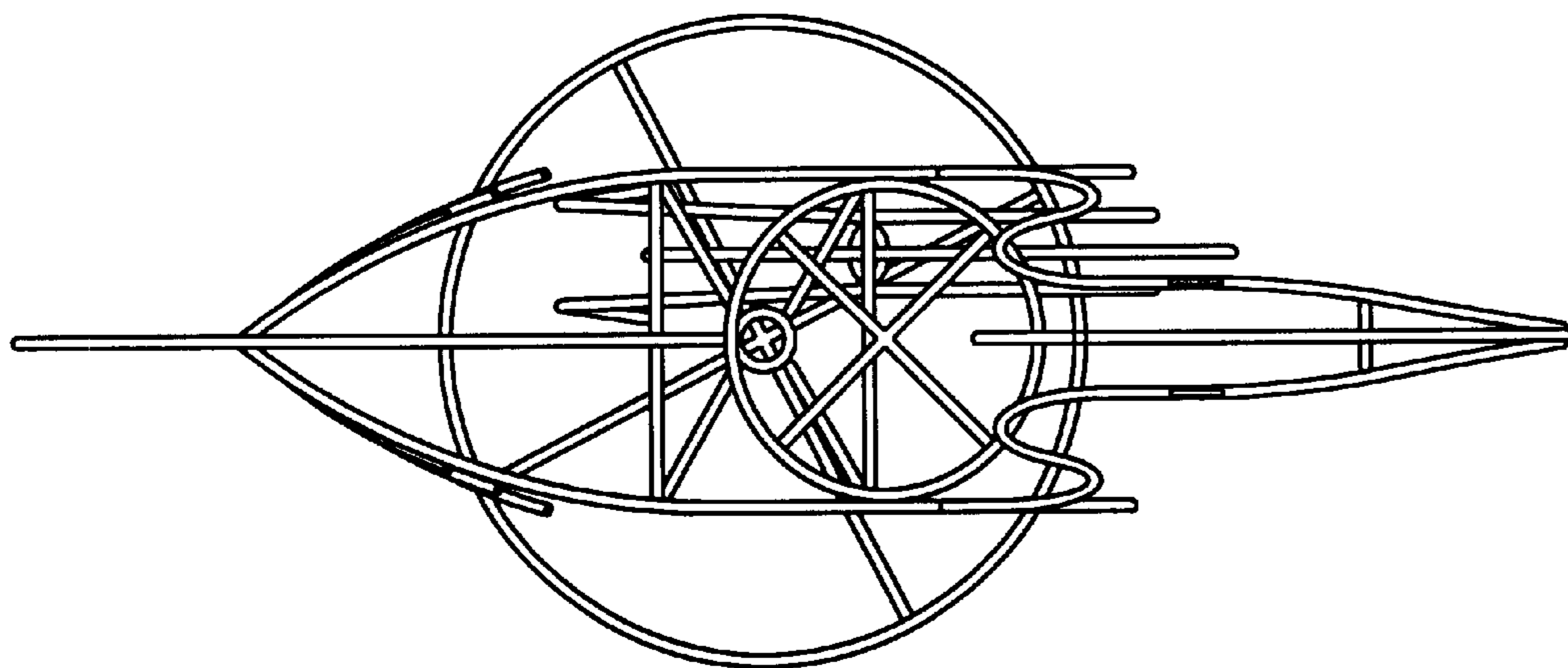


FIG. 4