



US00D542565S

(12) **United States Design Patent**
Roosz et al.

(10) **Patent No.:** **US D542,565 S**
(45) **Date of Patent:** **** May 15, 2007**

(54) **BED**

(75) Inventors: **David Roosz**, Carcur (IL); **Itzhak Regev**, Tel Aviv (IL)

(73) Assignee: **Aminach Bedding & Furniture Manufacturing Ltd.**, Ramla (IL)

(**) Term: **14 Years**

(21) Appl. No.: **29/224,994**

(22) Filed: **Mar. 9, 2005**

(30) **Foreign Application Priority Data**

Sep. 9, 2004 (IL) 39663

(51) **LOC (8) Cl.** **06-01**

(52) **U.S. Cl.** **D6/382**

(58) **Field of Classification Search** D6/382-395,
D6/397; 5/279.1, 280, 281, 2.1, 907, 8, 9.1
See application file for complete search history.

(56) **References Cited**

U.S. PATENT DOCUMENTS

- D406,473 S * 3/1999 Lin et al. D6/361
- D494,377 S * 8/2004 Roosz et al. D6/382
- D494,378 S * 8/2004 Roosz et al. D6/382

OTHER PUBLICATIONS

Ikea, 1986, p. 121, bed at top of page.

* cited by examiner

Primary Examiner—Janice E. Seeger

(74) *Attorney, Agent, or Firm*—Browdy and Neimark, PLLC

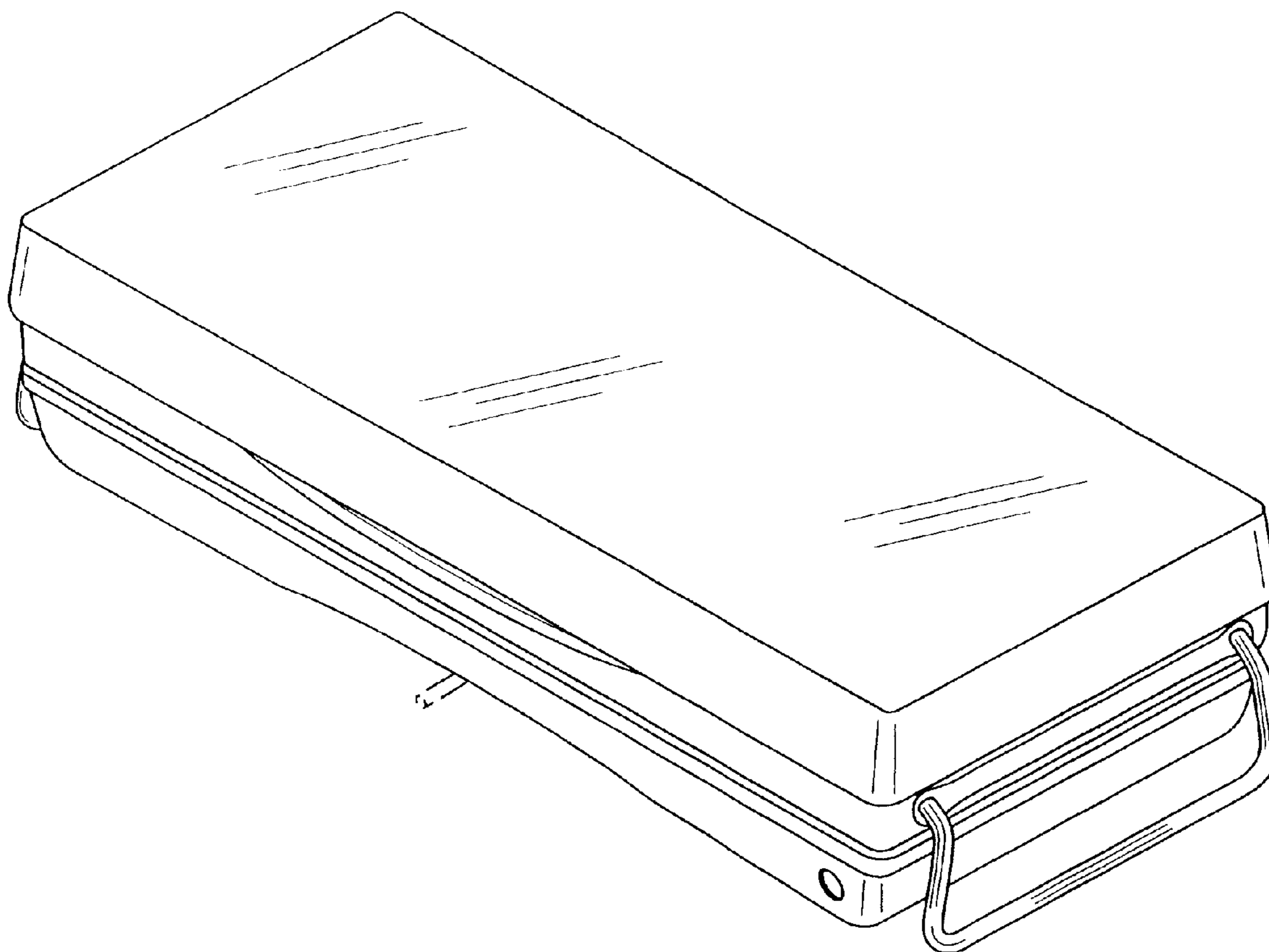
(57) **CLAIM**

The ornamental design for a bed, as shown and described.

DESCRIPTION

FIG. 1 is a perspective view from the rear of the subject bed;
 FIG. 2 is a front view of the subject bed;
 FIG. 3 is a side view of the subject bed;
 FIG. 4 is a perspective view without a lower bed;
 FIG. 5 is a front view without a lower bed;
 FIG. 6 is a side view without a lower bed;
 FIG. 7 is a perspective view from the rear of the lower bed;
 FIG. 8 is a front view of the lower bed; and,
 FIG. 9 is a side view of the lower bed.
 FIGS. 4-9 show the top and bottom portions of the bed alone for convenience of illustration.

1 Claim, 7 Drawing Sheets



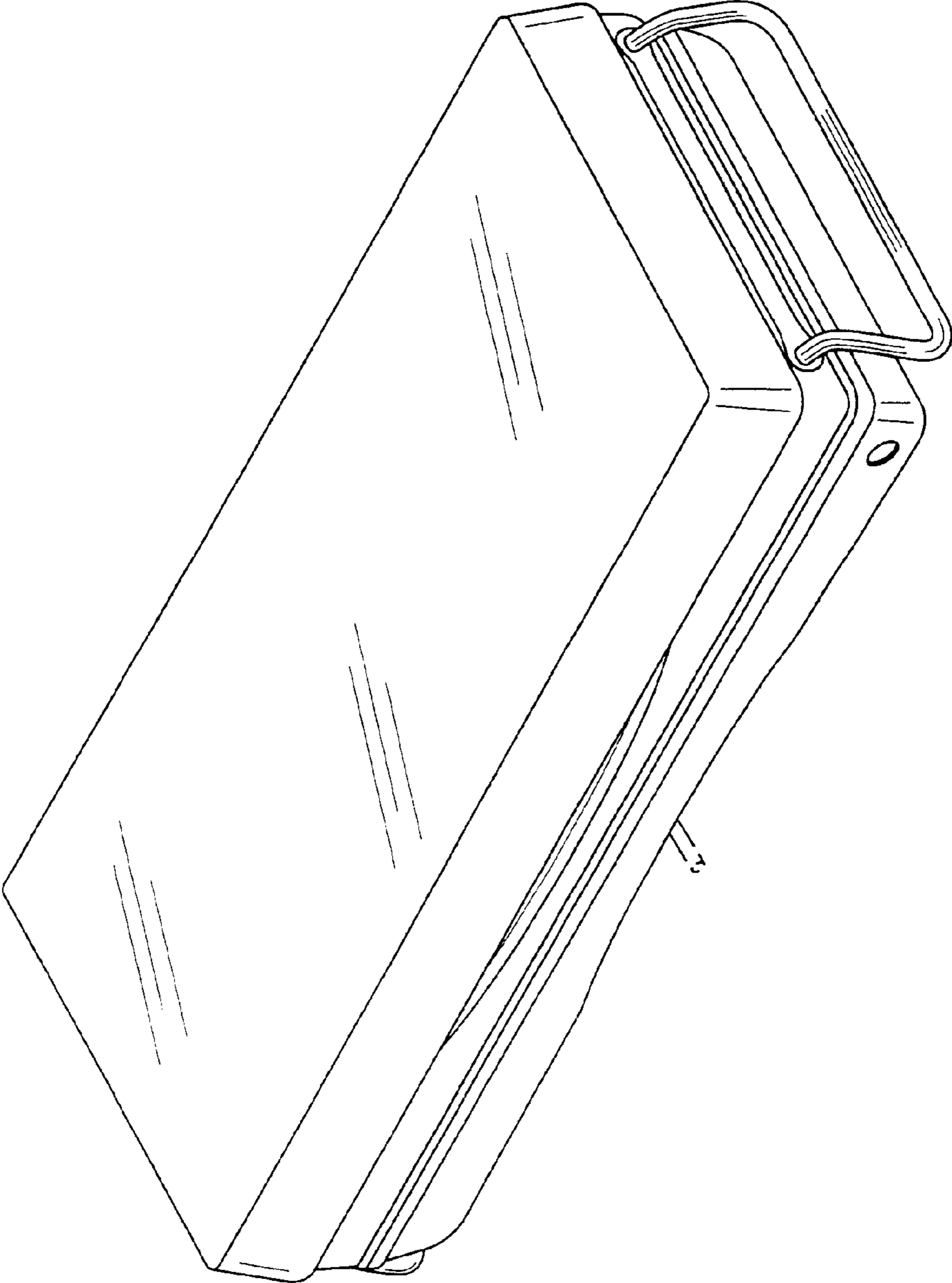


FIG. 1

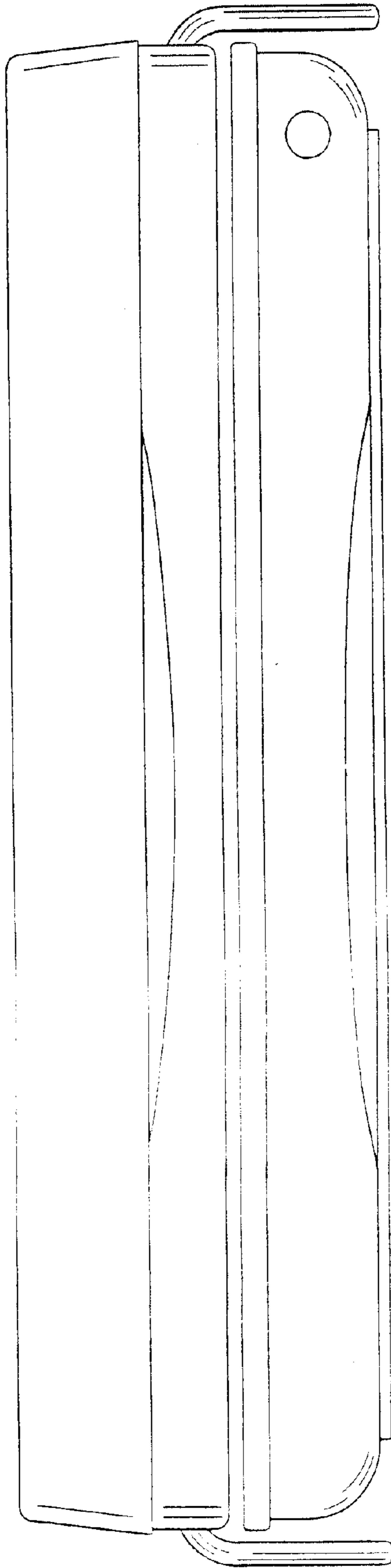


FIG. 2

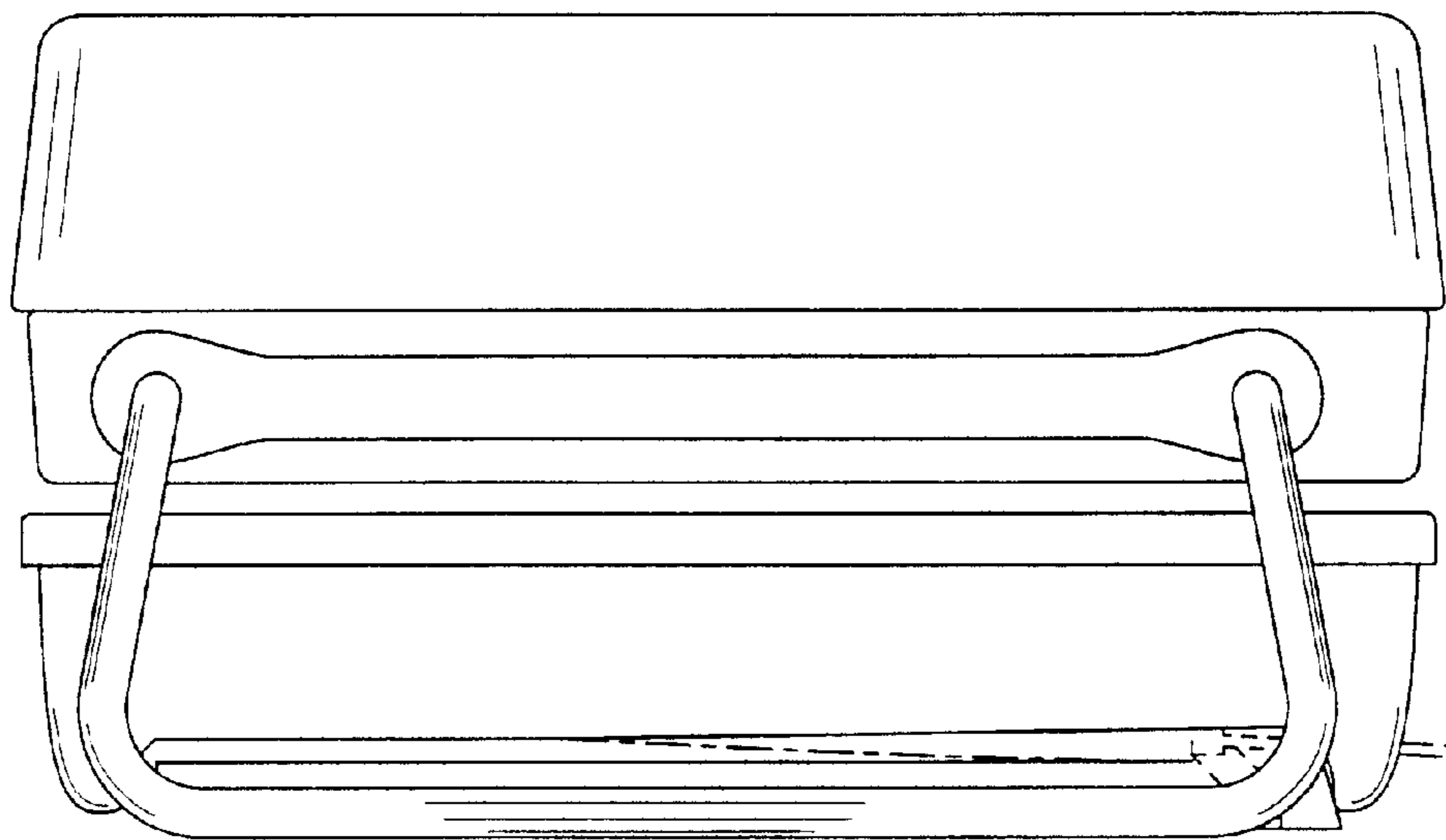


FIG. 3

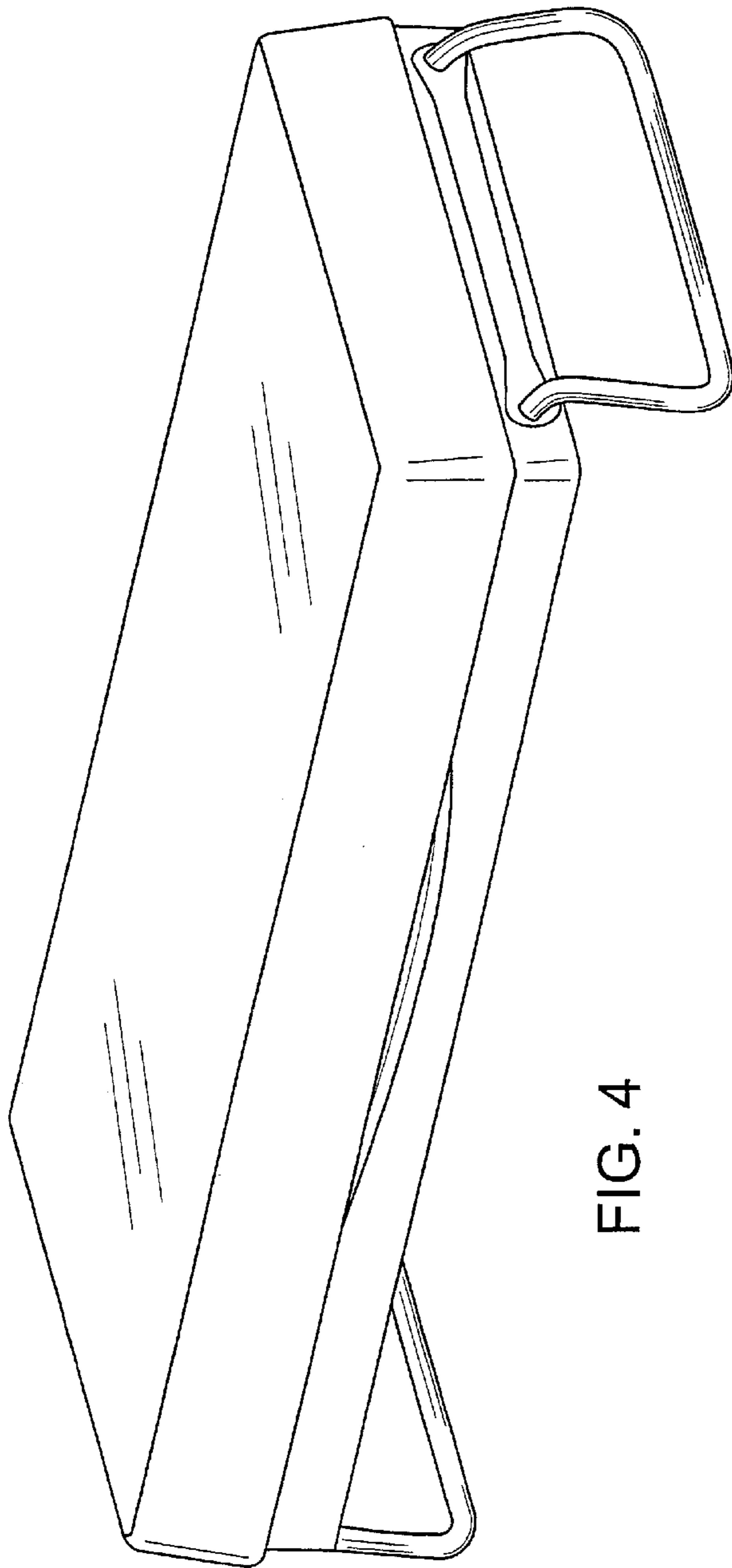


FIG. 4

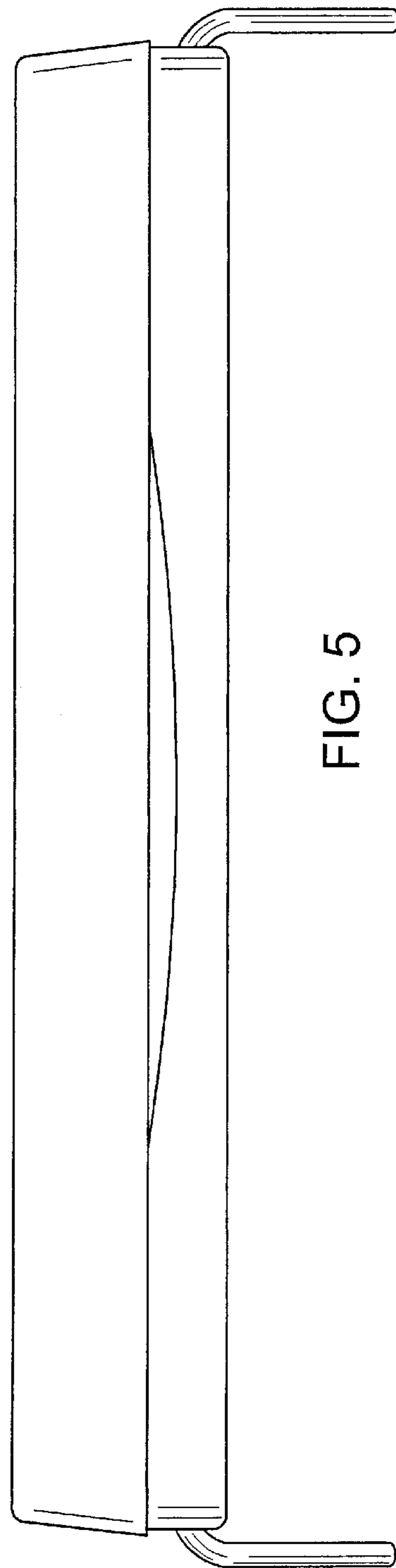


FIG. 5

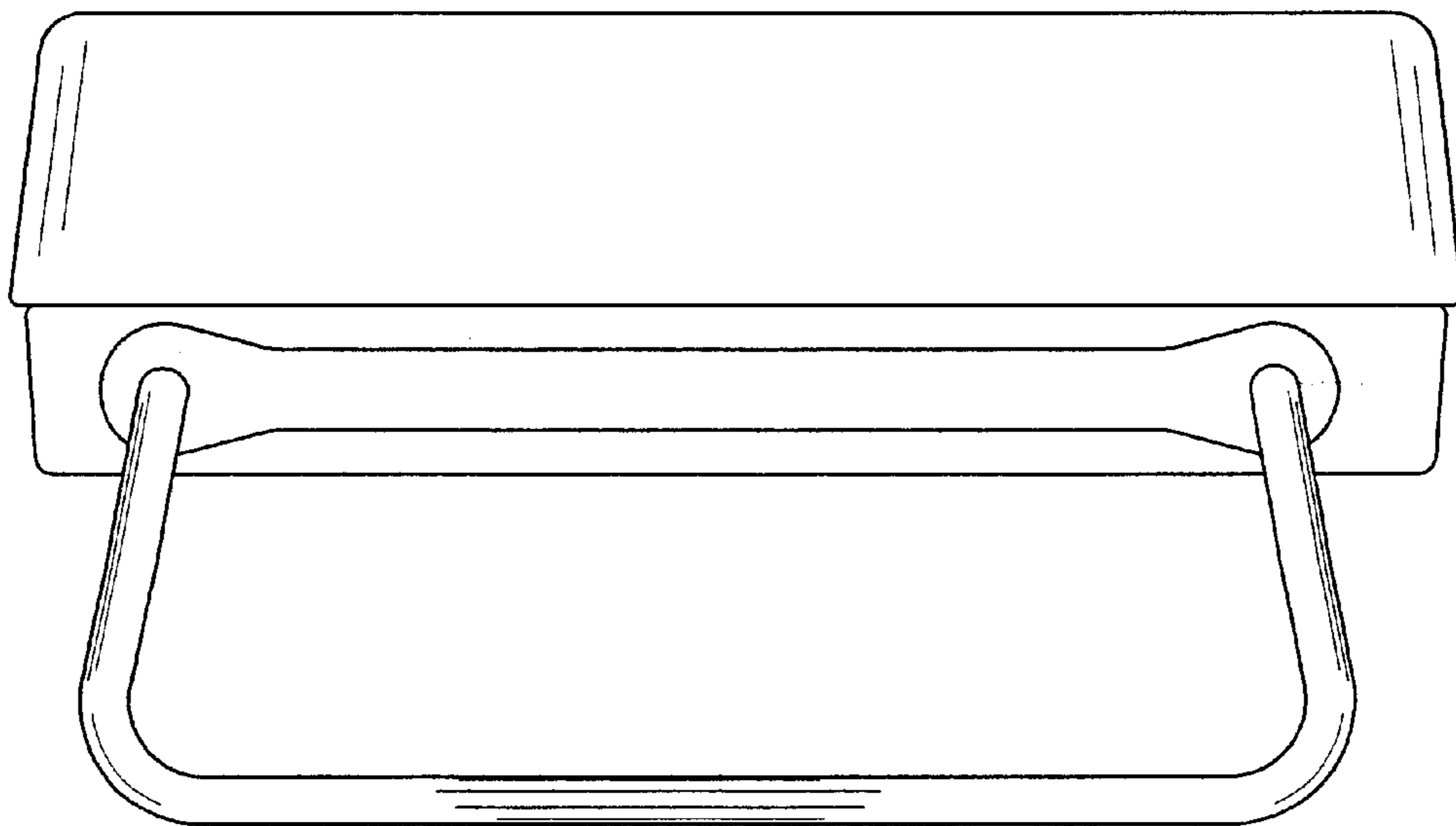


FIG. 6

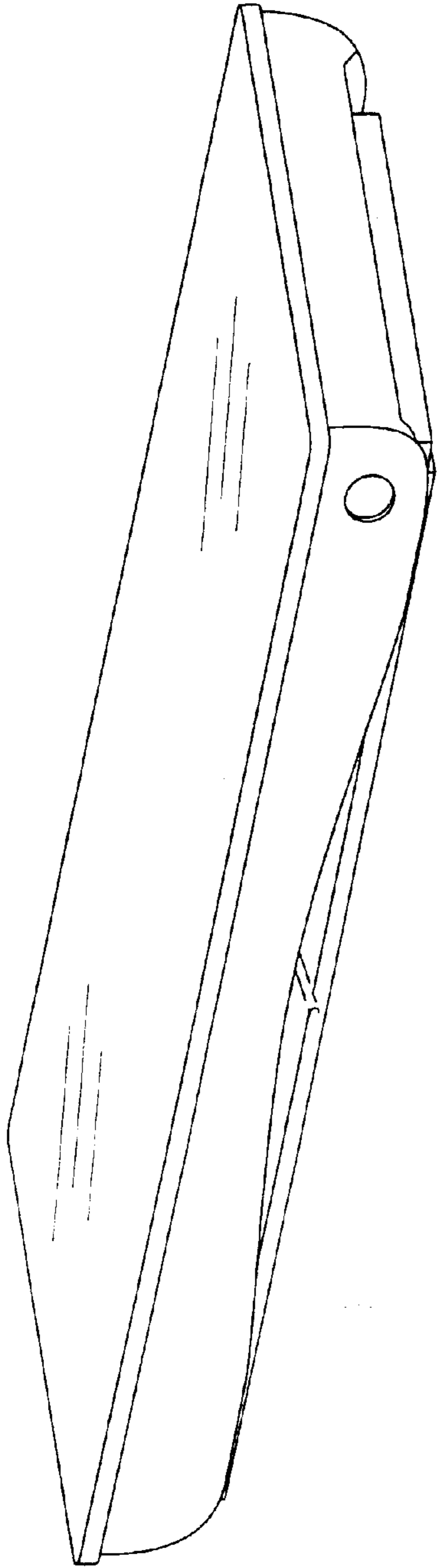


FIG. 7

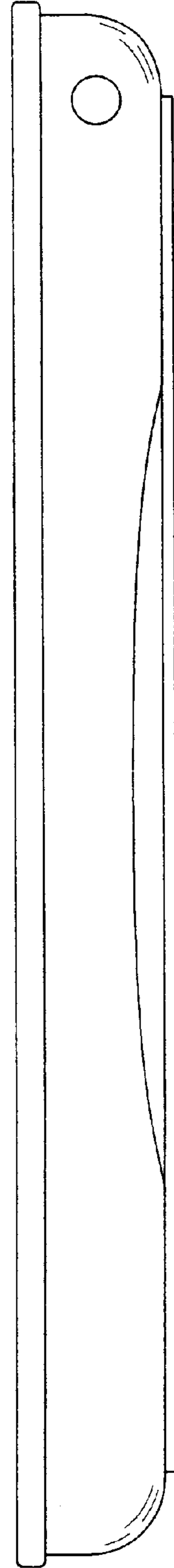


FIG. 8

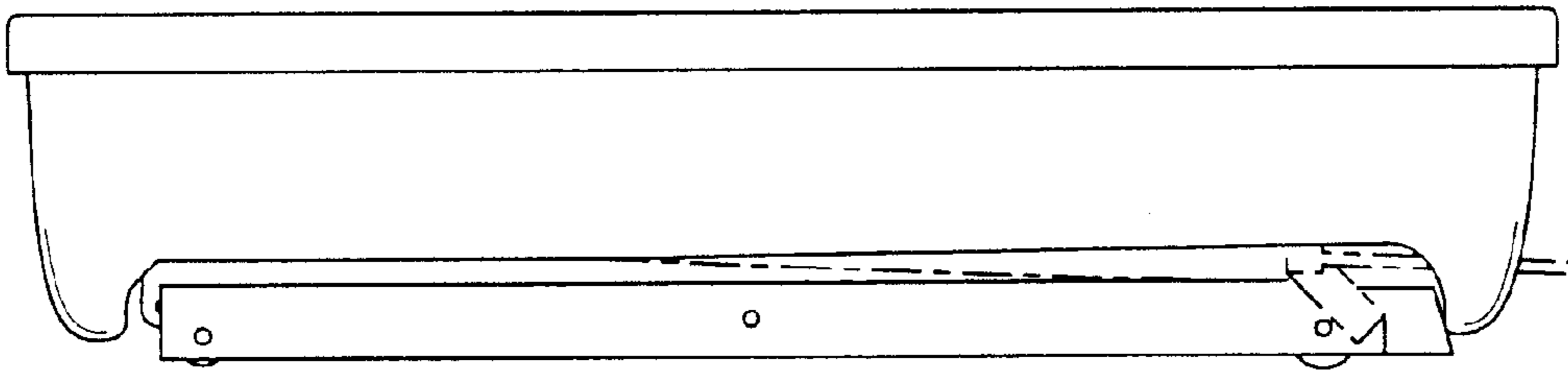


FIG. 9