



US00D542556S

(12) **United States Design Patent** (10) **Patent No.:** **US D542,556 S**
Nastri (45) **Date of Patent:** **** May 15, 2007**

(54) **SOFA**

(76) Inventor: **Giovanni Nastri**, Via Nazionale dei Giovi, 159, 20030 Lentate sul Seveso, Milan (IT)

(**) Term: **14 Years**

(21) Appl. No.: **29/222,860**

(22) Filed: **Feb. 4, 2005**

(51) **LOC (8) Cl.** **06-01**

(52) **U.S. Cl.** **D6/381**

(58) **Field of Classification Search** D6/334-335, D6/337, 357, 364, 371, 377, 381, 500-502; 297/232, 233, 245, 248, 411.2, 411.42, 445.1, 297/446.1, 448.1; 5/12.1

See application file for complete search history.

(56) **References Cited**

U.S. PATENT DOCUMENTS

D369,479 S	*	5/1996	Natuzzi et al.	D6/381
D388,631 S	*	1/1998	Natuzzi et al.	D6/381
D418,992 S	*	1/2000	Natuzzi et al.	D6/381
D491,000 S	*	6/2004	Ricci	D6/381
D495,897 S	*	9/2004	Ricci	D6/381
D514,347 S	*	2/2006	Natuzzi	D6/381

OTHER PUBLICATIONS

Natuzzi sofa #1081, Oct. 1993, 2 pgs.*
Natuzzi sofa #1436, Mar. 1996, 2 pgs.*
Natuzzi sofa #1433, Mar. 1996, 2 pgs.*
Natuzzi sofa #1190, Apr. 1994, 2 pgs.*
Natuzzi sofa #1183, Apr. 1994, 2 pgs.□□Natuzzi sofa #1473, Oct. 1996, 2 pgs.□□Natuzzi sofa #1795, Mar. 1999, 1 pg.*

* cited by examiner

Primary Examiner—Sandra Snapp

(74) *Attorney, Agent, or Firm*—Hedman & Costigan P.C.; James V. Costigan

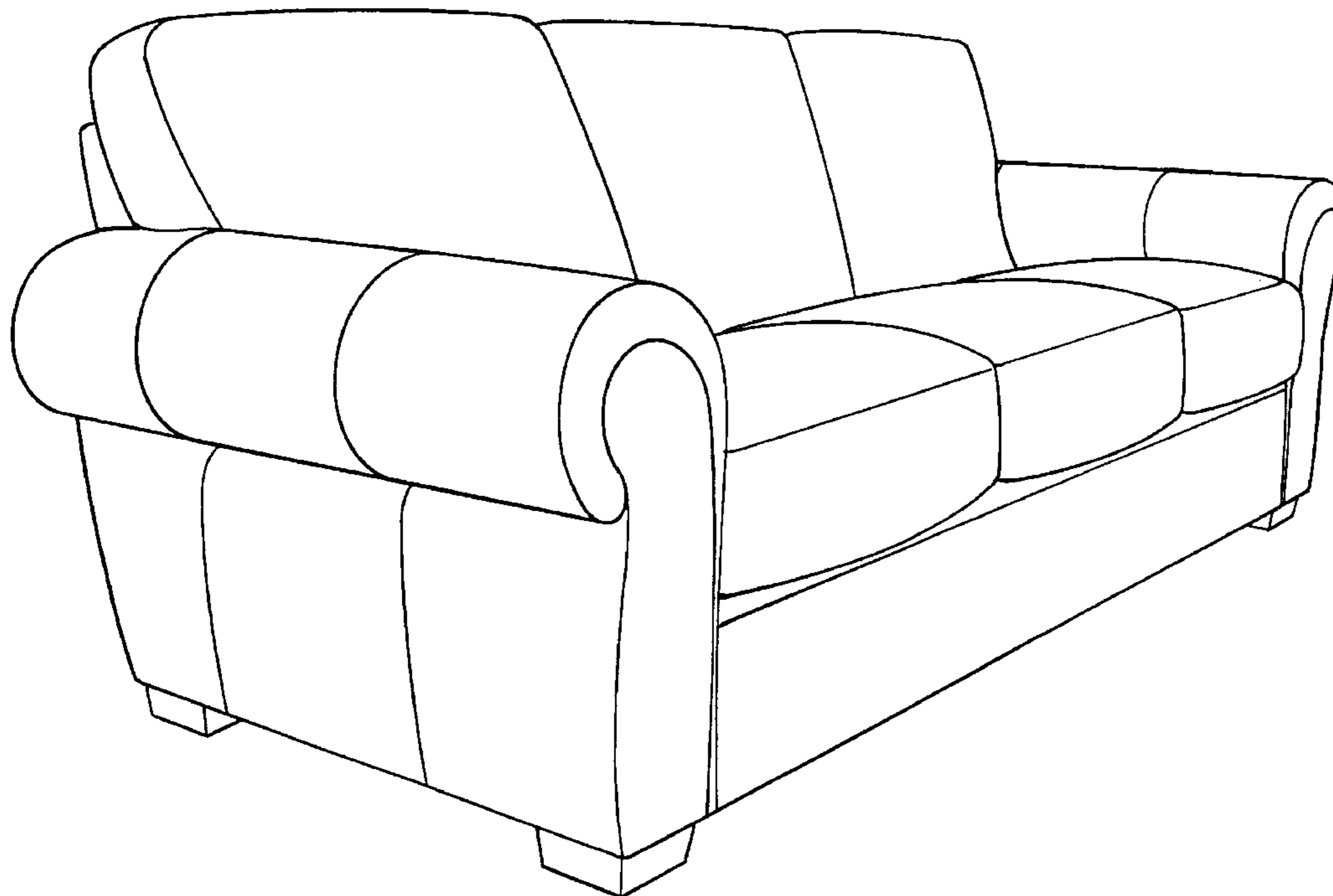
(57) **CLAIM**

The ornamental design for a sofa, as shown and described.

DESCRIPTION

FIG. 1 is a front perspective view of an embodiment of a sofa according to the invention;
FIG. 2 is a front view of a sofa according to the invention;
FIG. 3 is a back view of the sofa;
FIG. 4 is a left side view of the sofa;
FIG. 5 is a right side view of the sofa;
FIG. 6 is a top view of the sofa; and,
FIG. 7 is a bottom view of the sofa.

1 Claim, 6 Drawing Sheets



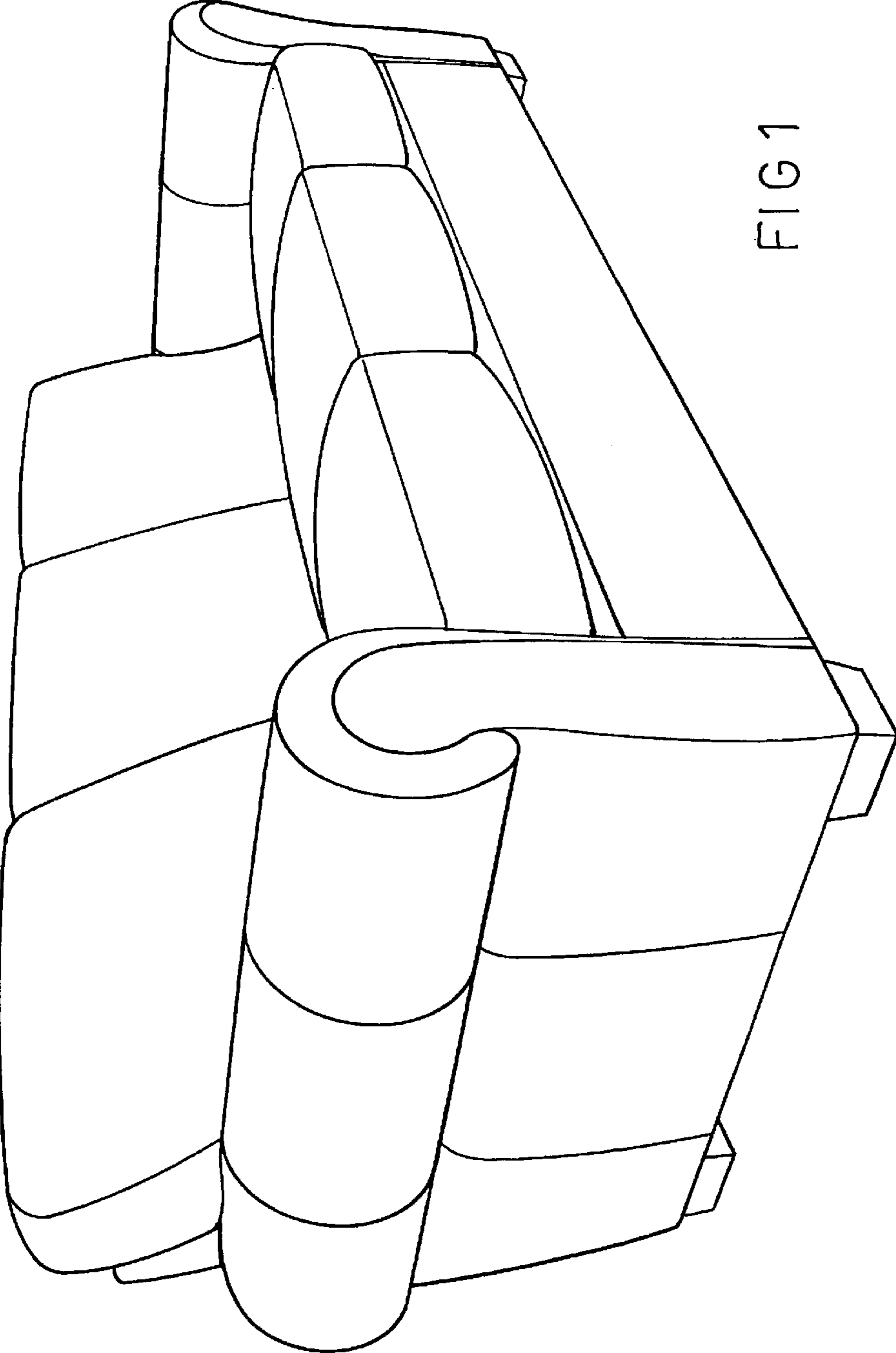


FIG 1

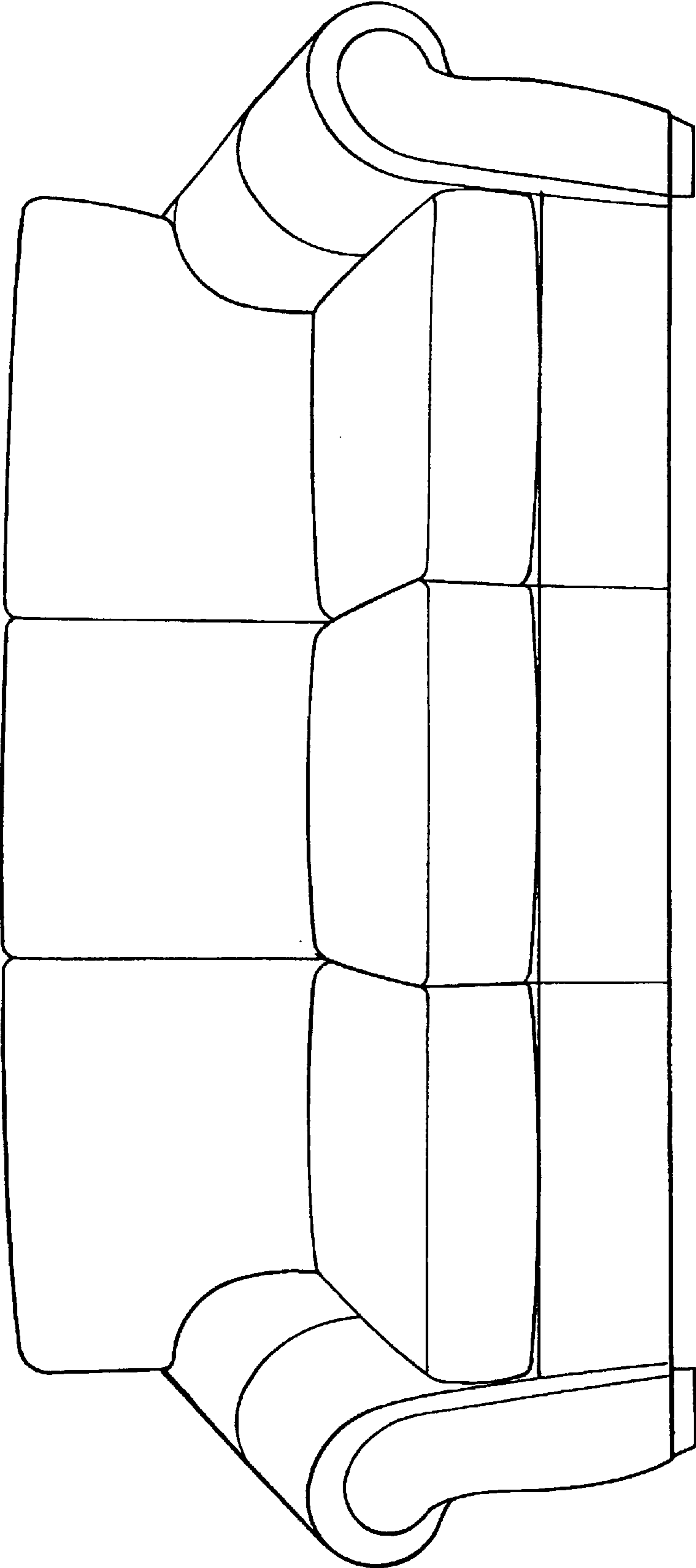
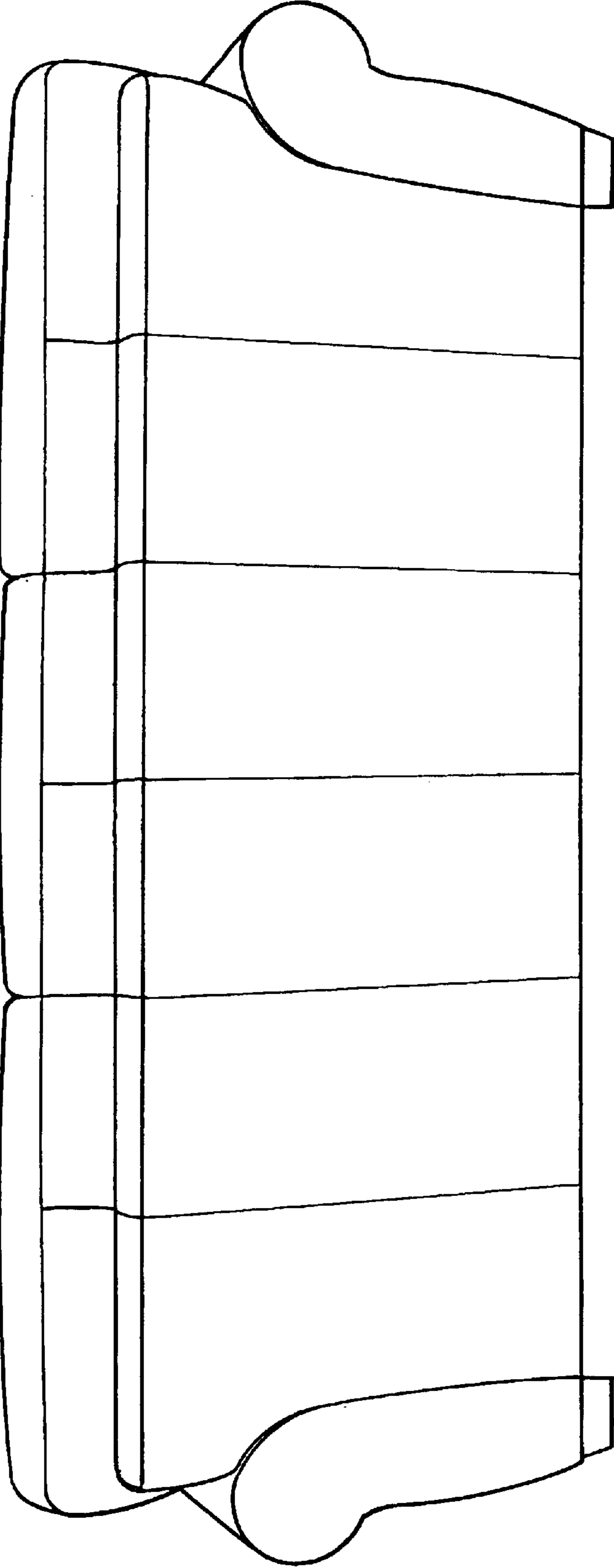


FIG 2

FIG 3



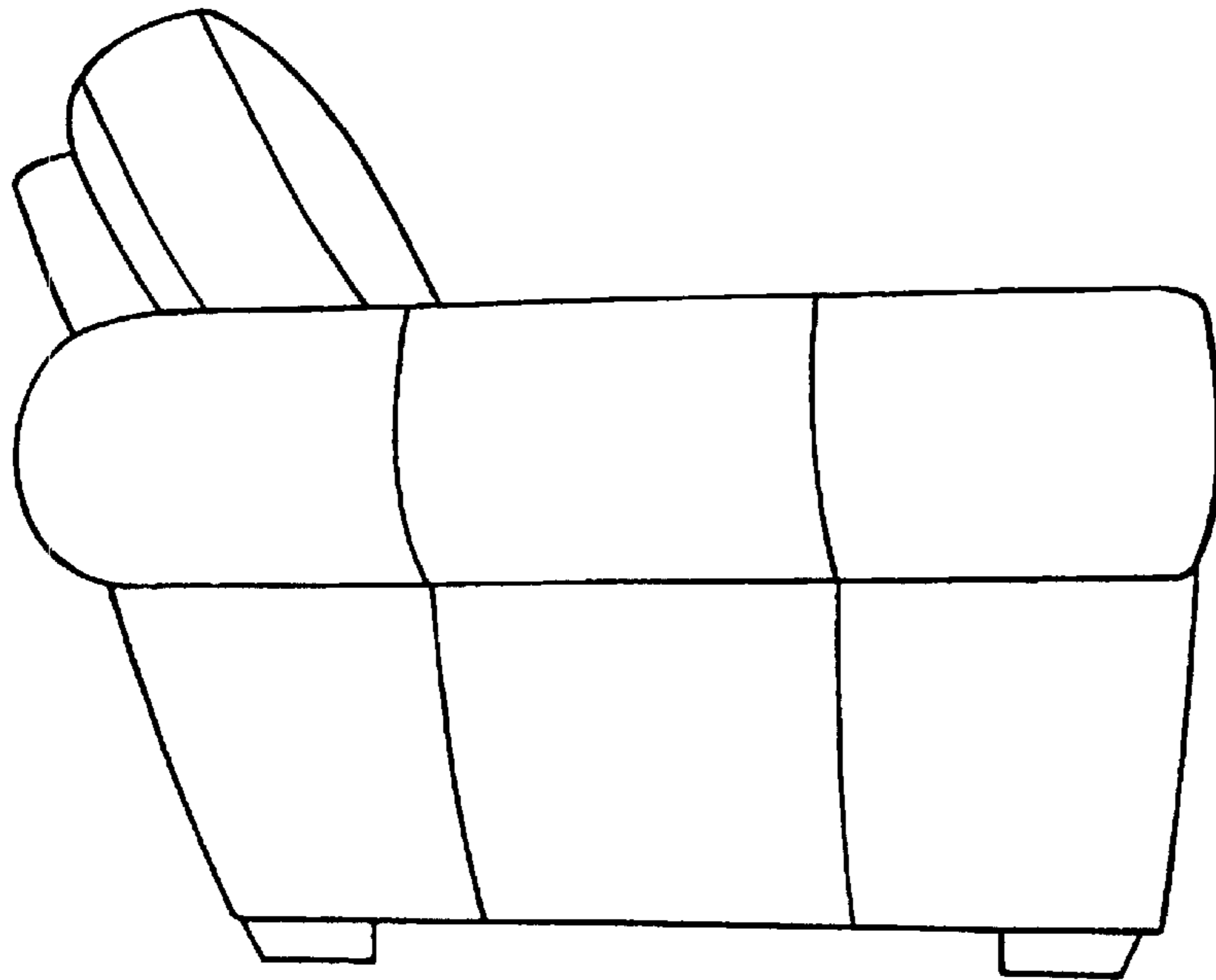


FIG 4

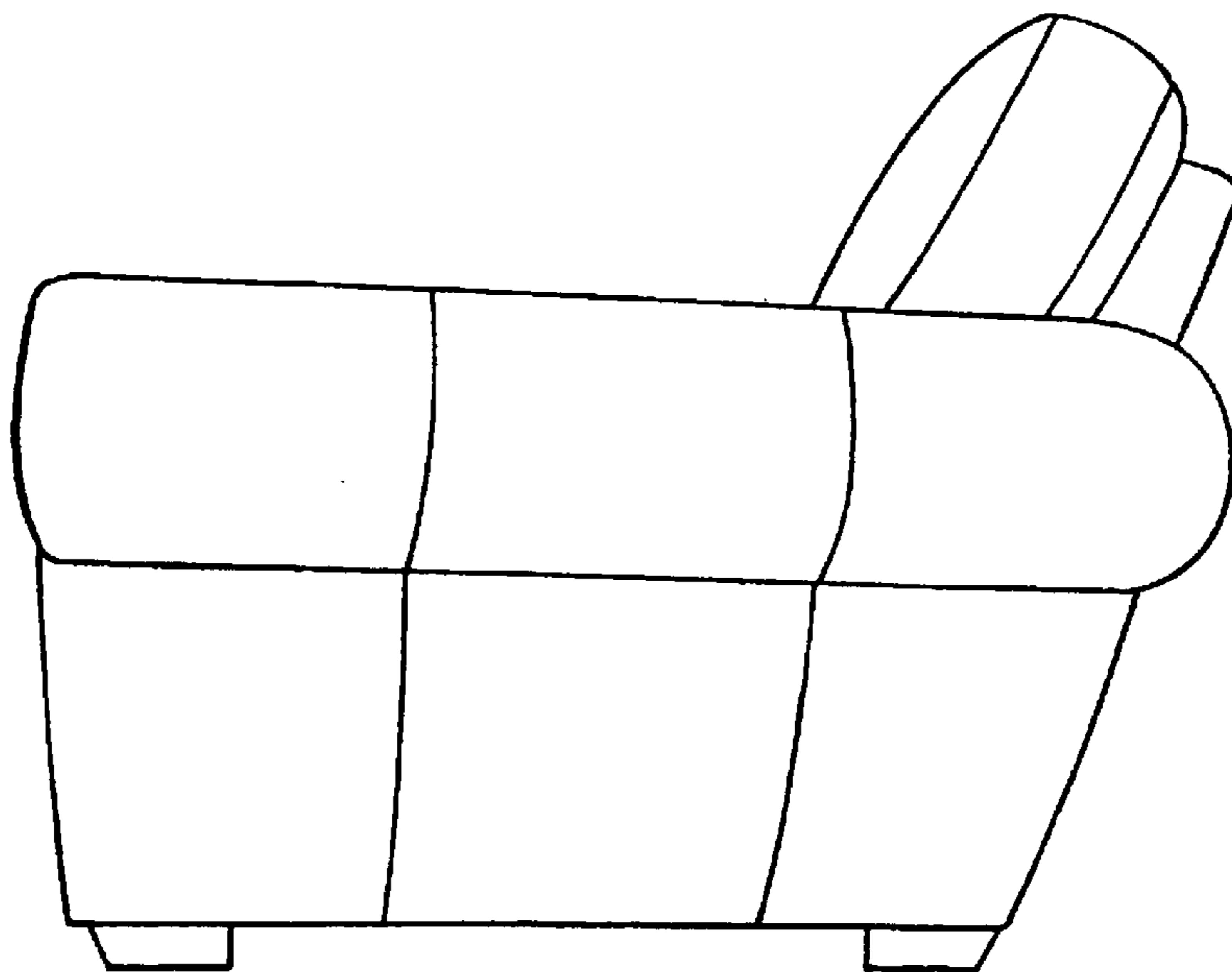


FIG 5

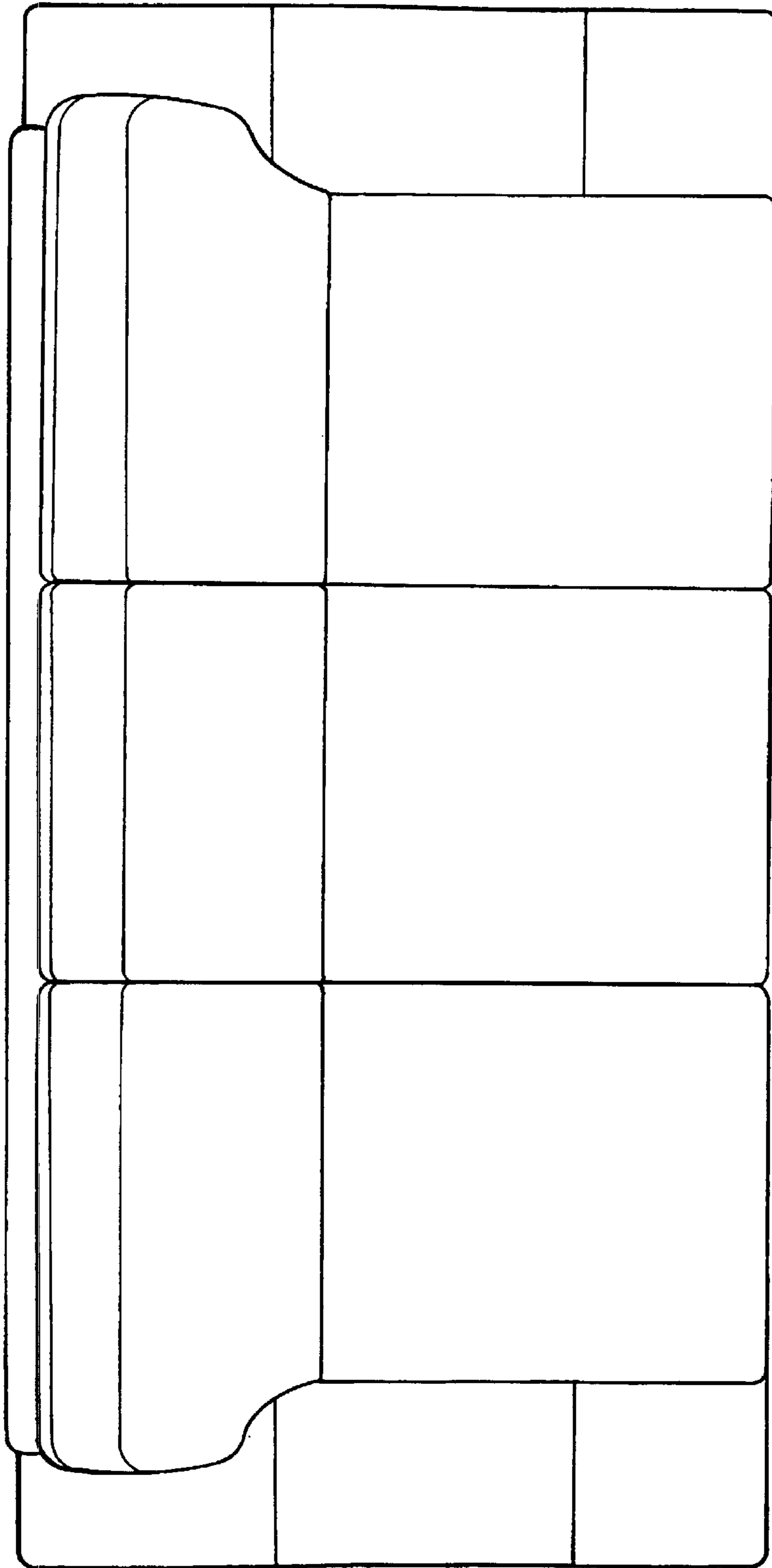


FIG 6

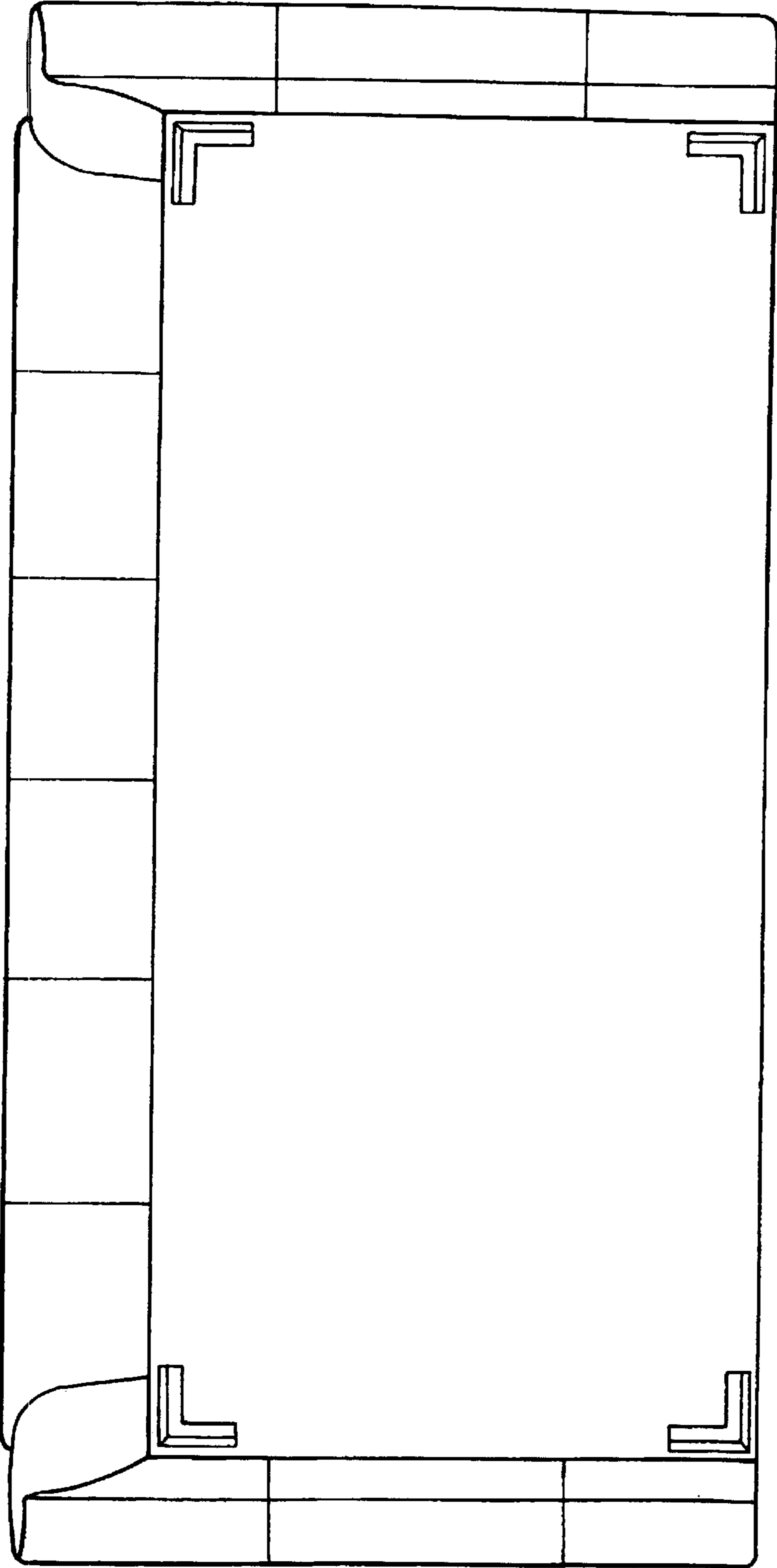


FIG 7