



US00D542548S

(12) **United States Design Patent**
Yang

(10) **Patent No.:** **US D542,548 S**

(45) **Date of Patent:** **** May 15, 2007**

(54) **CHAIR**

(75) Inventor: **Johnny Yang, Apia (WS)**

(73) Assignee: **Wonderful Year Co., Ltd., Apia (WS)**

(**) Term: **14 Years**

(21) Appl. No.: **29/246,343**

(22) Filed: **Mar. 31, 2006**

(51) **LOC (8) Cl.** **06-01**

(52) **U.S. Cl.** **D6/366**

(58) **Field of Classification Search** D6/334-336,
D6/364, 365, 366, 367, 374, 375, 379, 498,
D6/500-502; 297/411.27, 452.16, 452.21,
297/452.24, 452.26, 452.32, 452.48; 248/188.7
See application file for complete search history.

(56) **References Cited**

U.S. PATENT DOCUMENTS

- D427,793 S * 7/2000 Groulx et al. D6/366
- D432,822 S * 10/2000 Chen D6/498
- D445,579 S * 7/2001 Olson D6/366

- D452,092 S * 12/2001 Tseng D6/500
- D461,076 S * 8/2002 Lee D6/501
- D467,443 S * 12/2002 Kwon D6/366
- D493,987 S * 8/2004 True D6/500
- D507,436 S * 7/2005 Chao D6/498

* cited by examiner

Primary Examiner—Mimosa De

(74) *Attorney, Agent, or Firm*—Alan D. Kamrath; Nikolai & Mersereau, P.A.

(57) **CLAIM**

The ornamental design for chair, as shown and described.

DESCRIPTION

FIG. 1 is a perspective view of a chair showing my new design;
 FIG. 2 is a front view thereof;
 FIG. 3 is a rear view thereof;
 FIG. 4 is a left view thereof;
 FIG. 5 is a right view thereof;
 FIG. 6 is a top view thereof; and,
 FIG. 7 is a bottom view thereof.

1 Claim, 7 Drawing Sheets

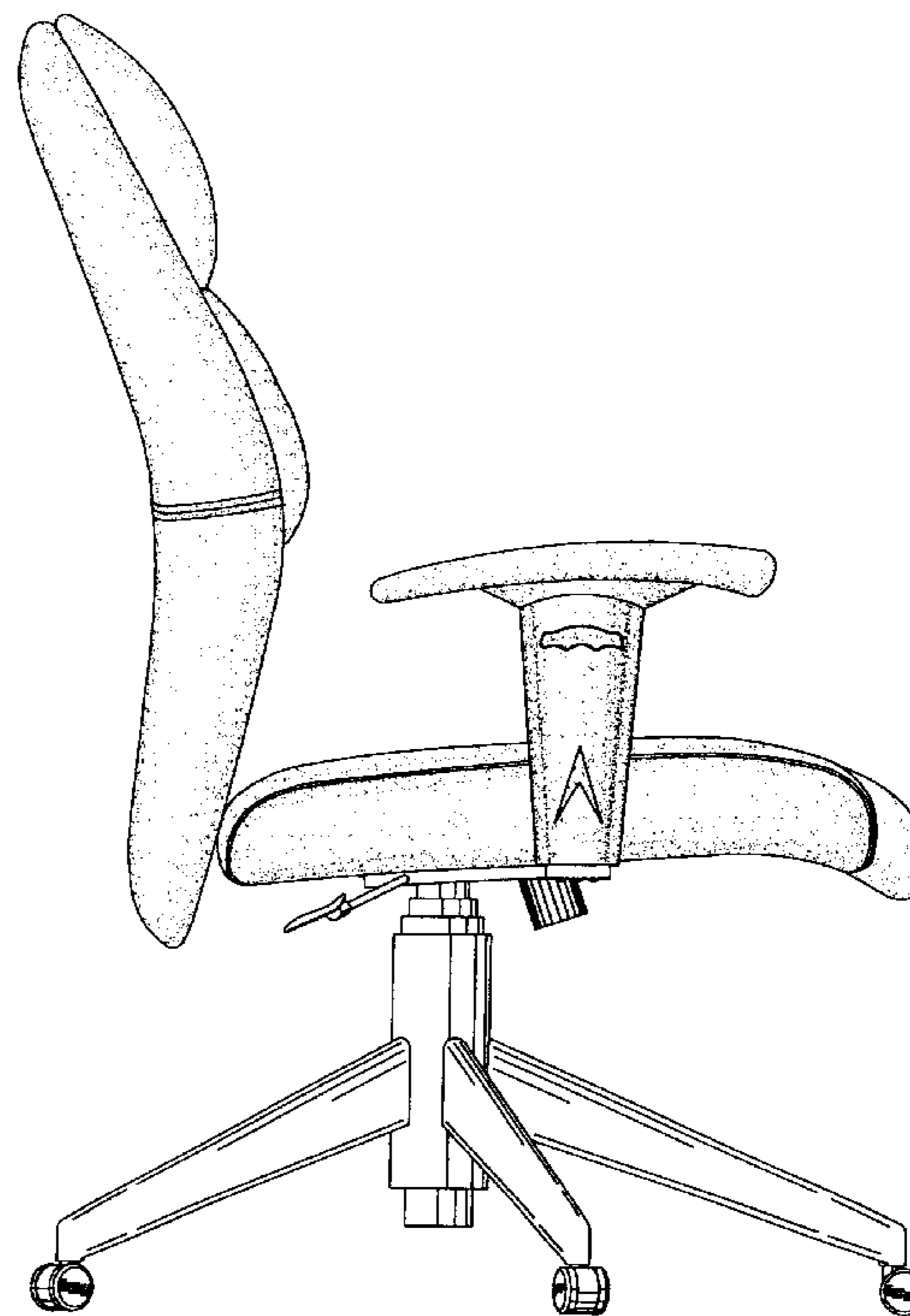




Fig. 1

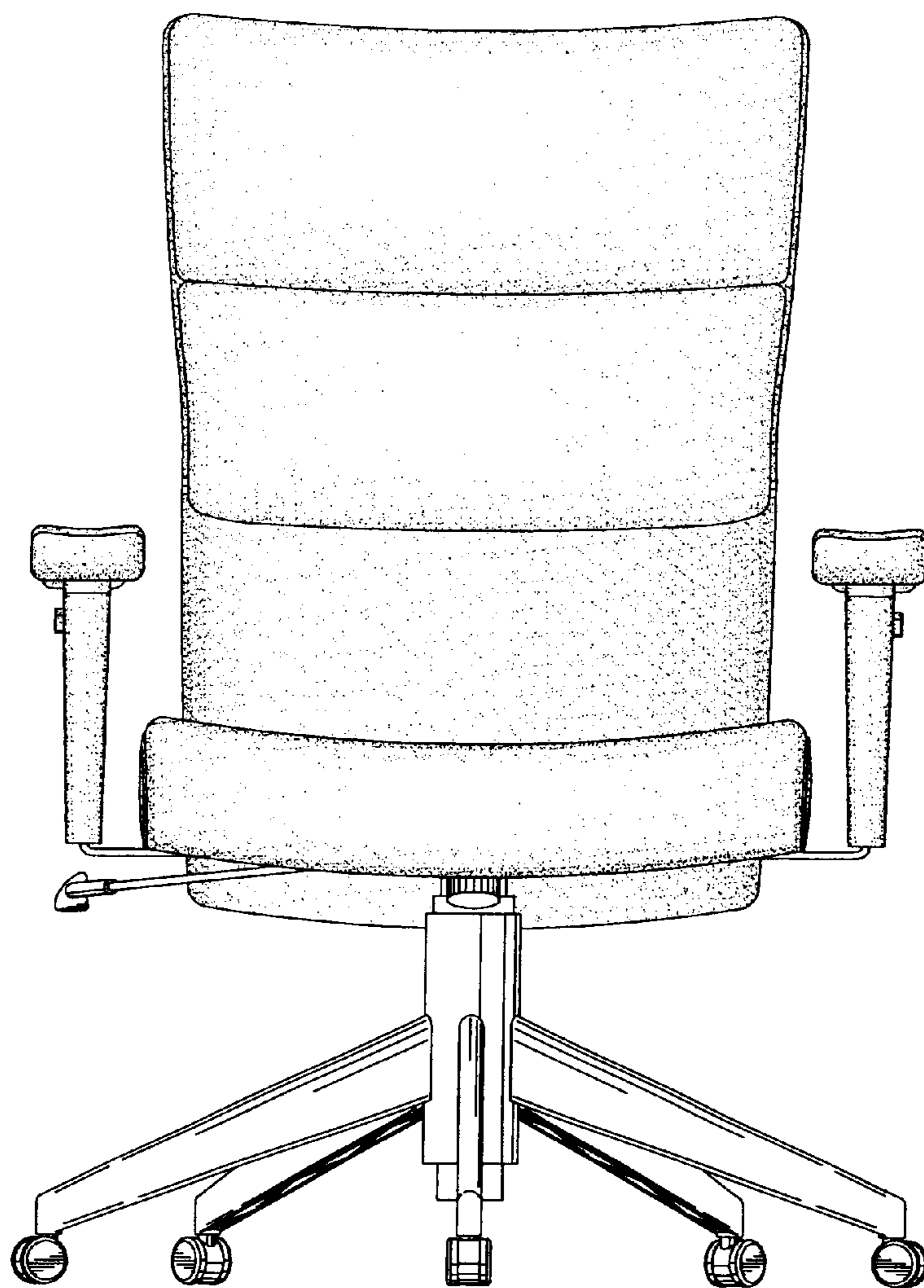


Fig. 2

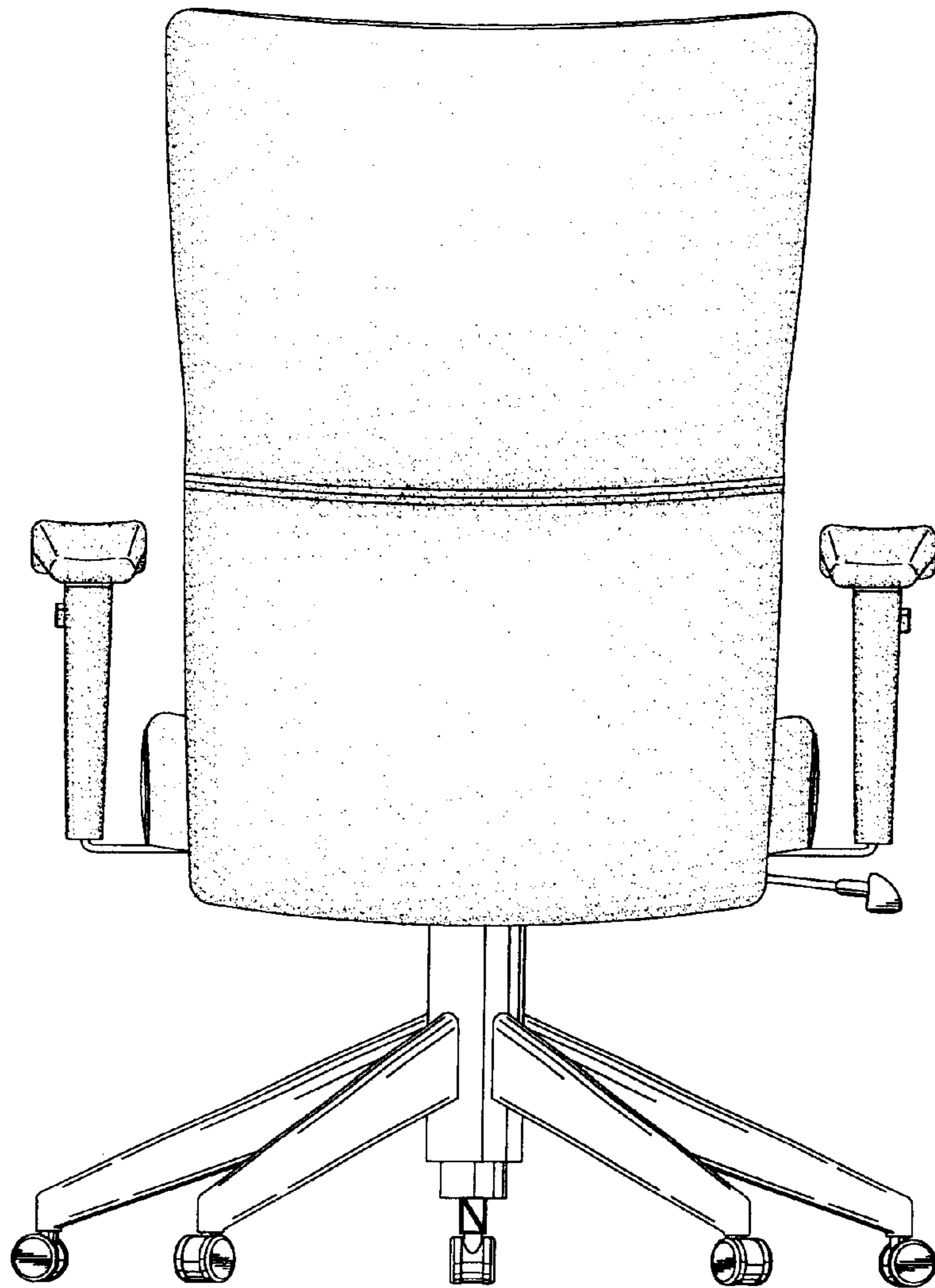


Fig. 3

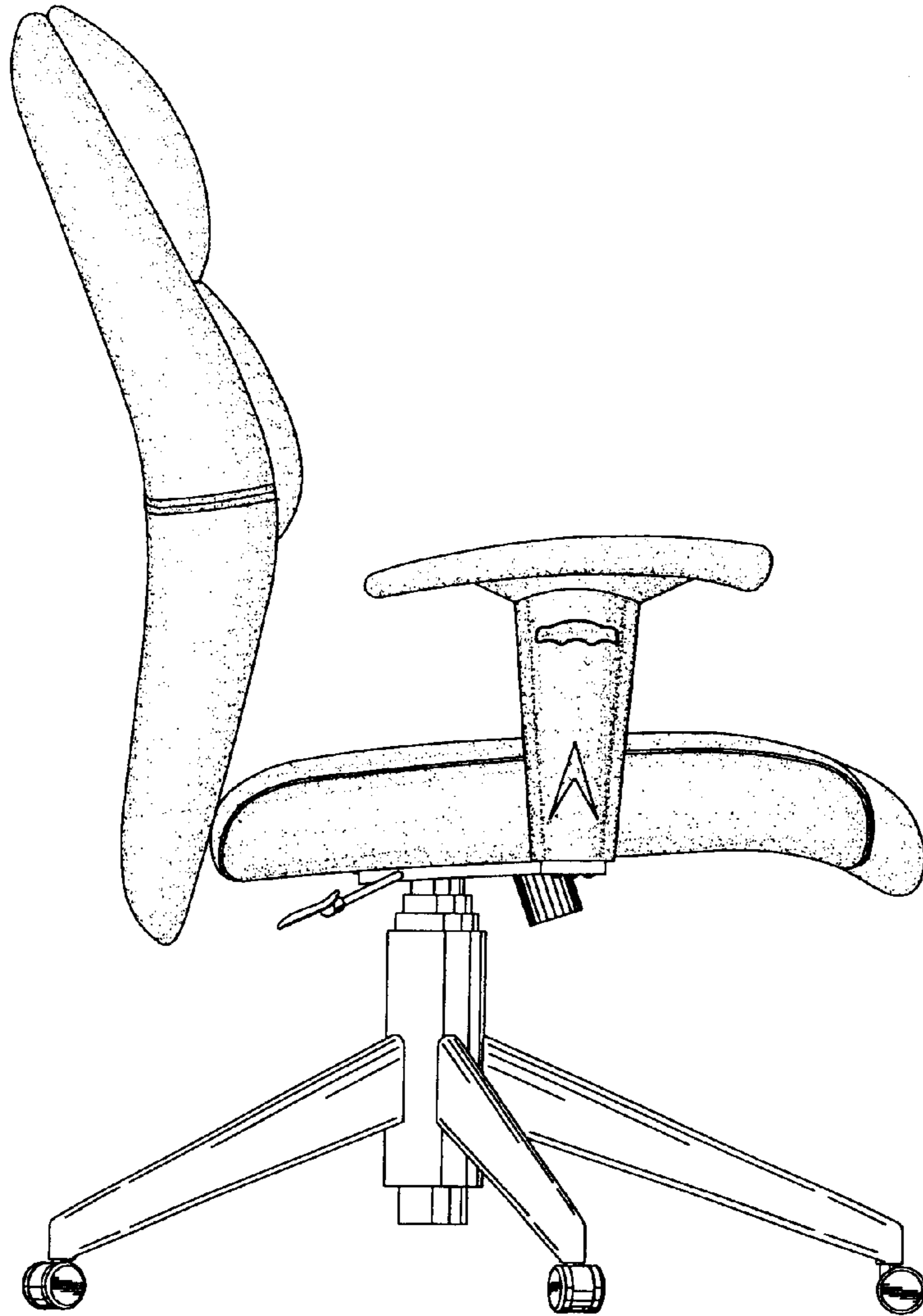


Fig. 4

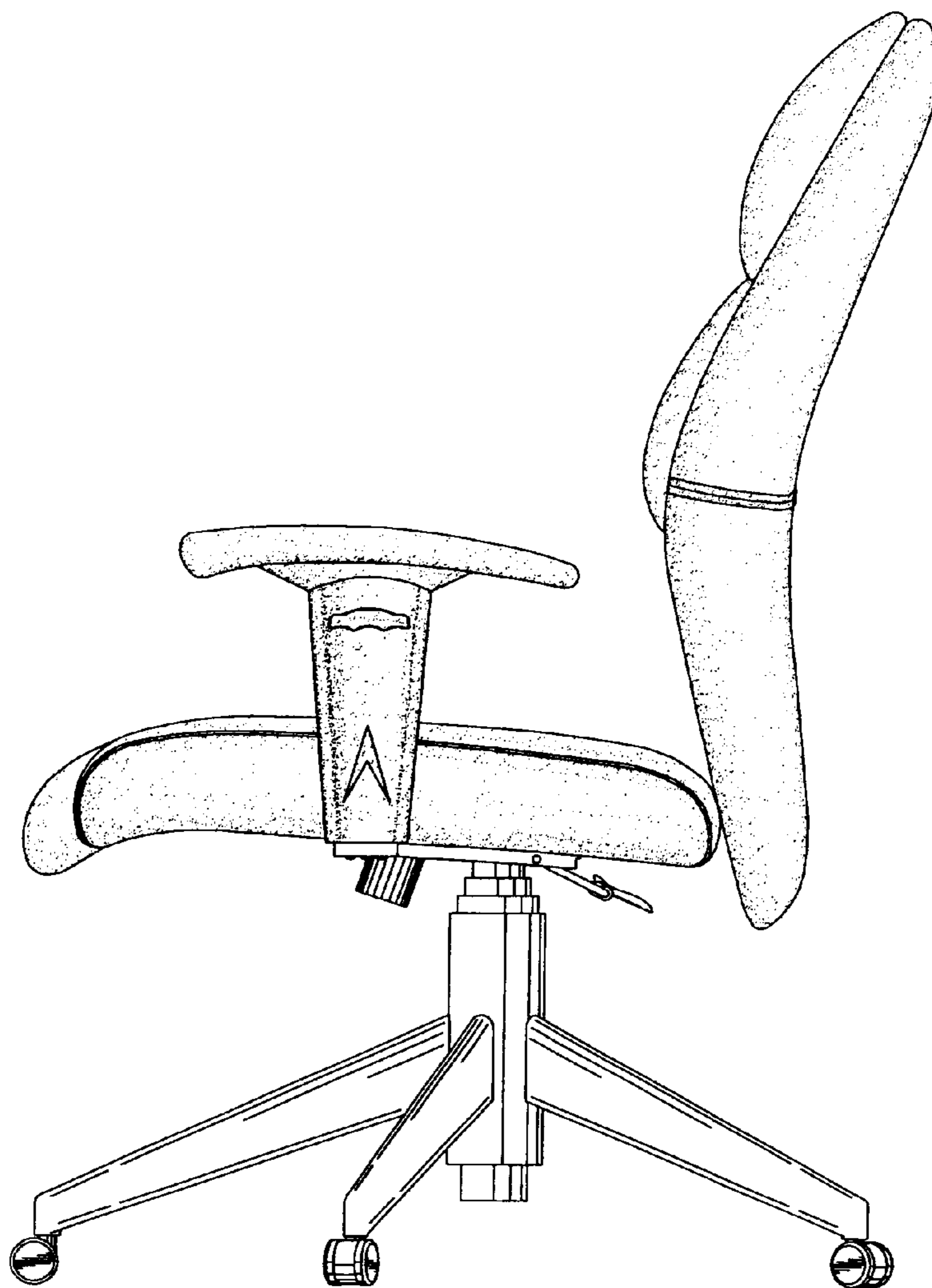


Fig. 5

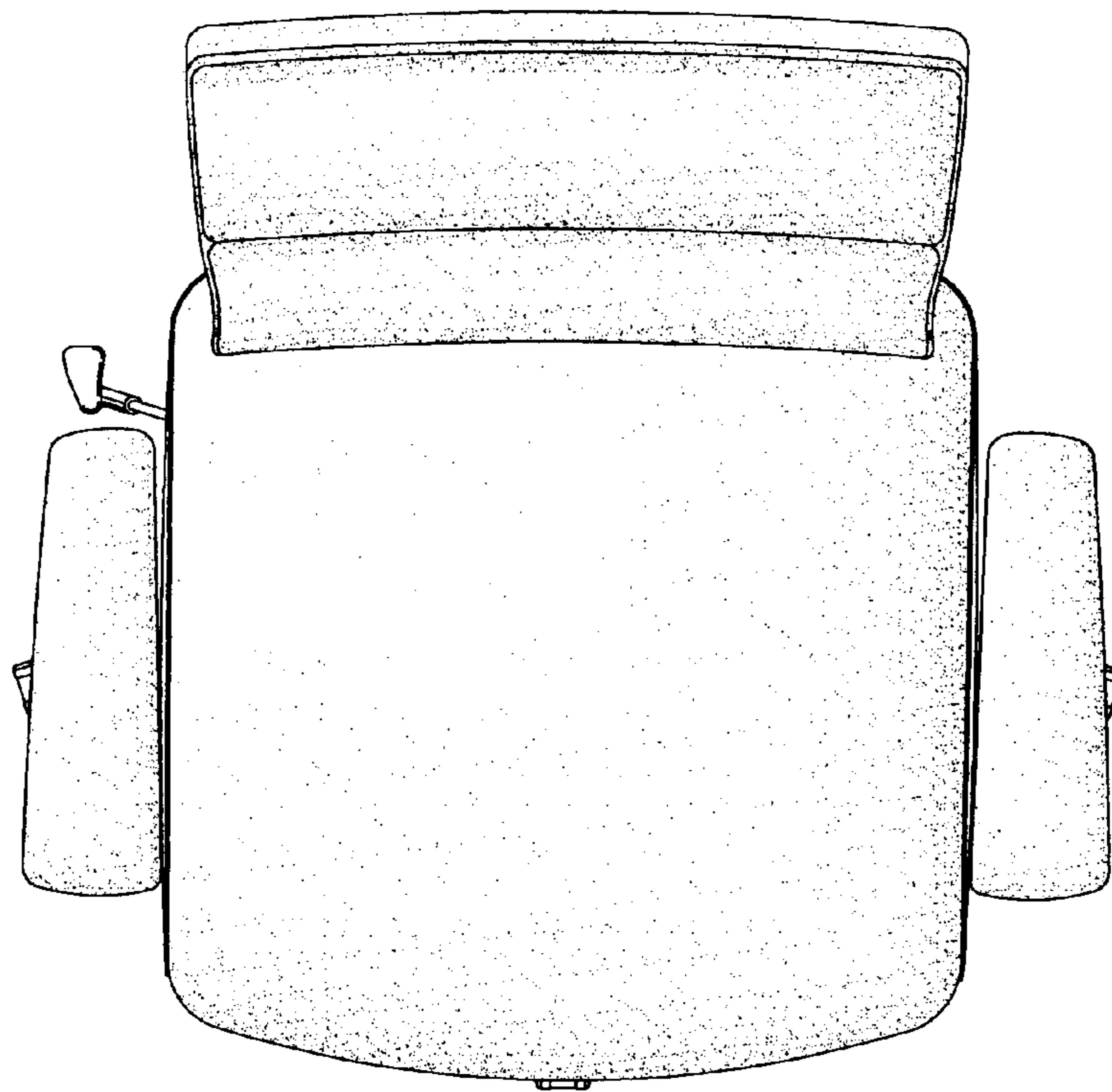


Fig. 6

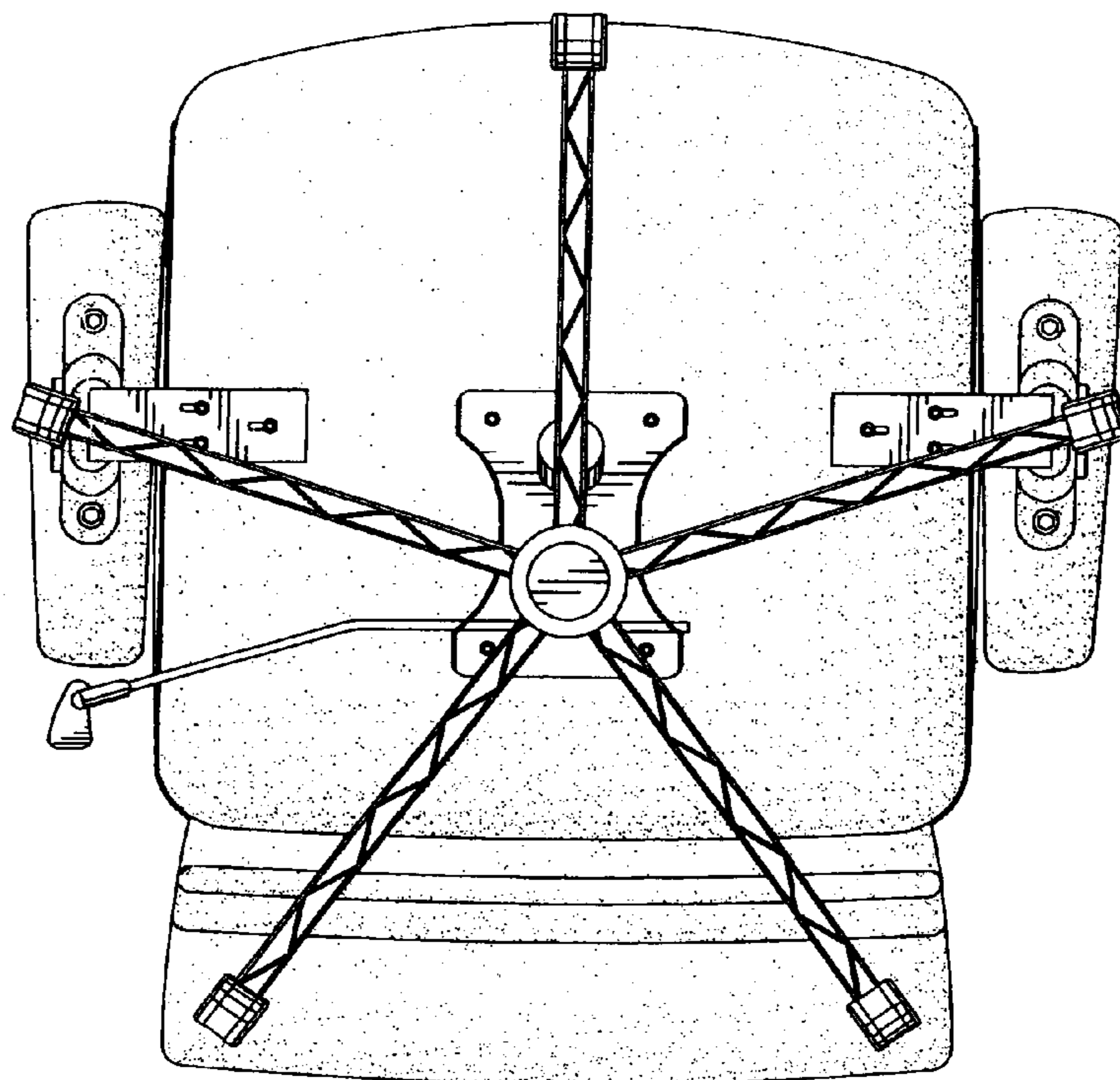


Fig. 7