



US00D542542S

(12) **United States Design Patent**
Williams

(10) **Patent No.:** **US D542,542 S**
(45) **Date of Patent:** **** May 15, 2007**

(54) **COMPACT GUN CLEANING BRUSH**

(75) Inventor: **Nicholas Williams**, Boonville, NY (US)

(73) Assignee: **The Otis Patent Trust**, Lyons Falls, NY (US)

(**) Term: **14 Years**

(21) Appl. No.: **29/264,759**

(22) Filed: **Aug. 17, 2006**

(51) **LOC (8) Cl.** **04-01**

(52) **U.S. Cl.** **D4/134; D4/104**

(58) **Field of Classification Search** D4/104-108,
D4/110, 112, 121, 132, 134; 15/159.1, 160,
15/167.1, 176.1, 176.2, 176.3, 176.6, 186,
15/187, 191.1, 207.2, DIG. 5; 132/308, 309,
132/311

See application file for complete search history.

(56) **References Cited**

U.S. PATENT DOCUMENTS

- 637,680 A * 11/1899 Tower 15/176.1 X
- 935,493 A * 9/1909 Gramm et al. 15/176.2
- D92,616 S * 6/1934 Largever D4/107
- D136,156 S * 8/1943 Fuller D4/104

D414,938 S * 10/1999 Von Stein D4/104

FOREIGN PATENT DOCUMENTS

JP 58-196624 U * 12/1983

* cited by examiner

Primary Examiner—Alan P. Douglas
Assistant Examiner—Lavone D. Tabor

(74) *Attorney, Agent, or Firm*—Marjama & Bilinski LLP

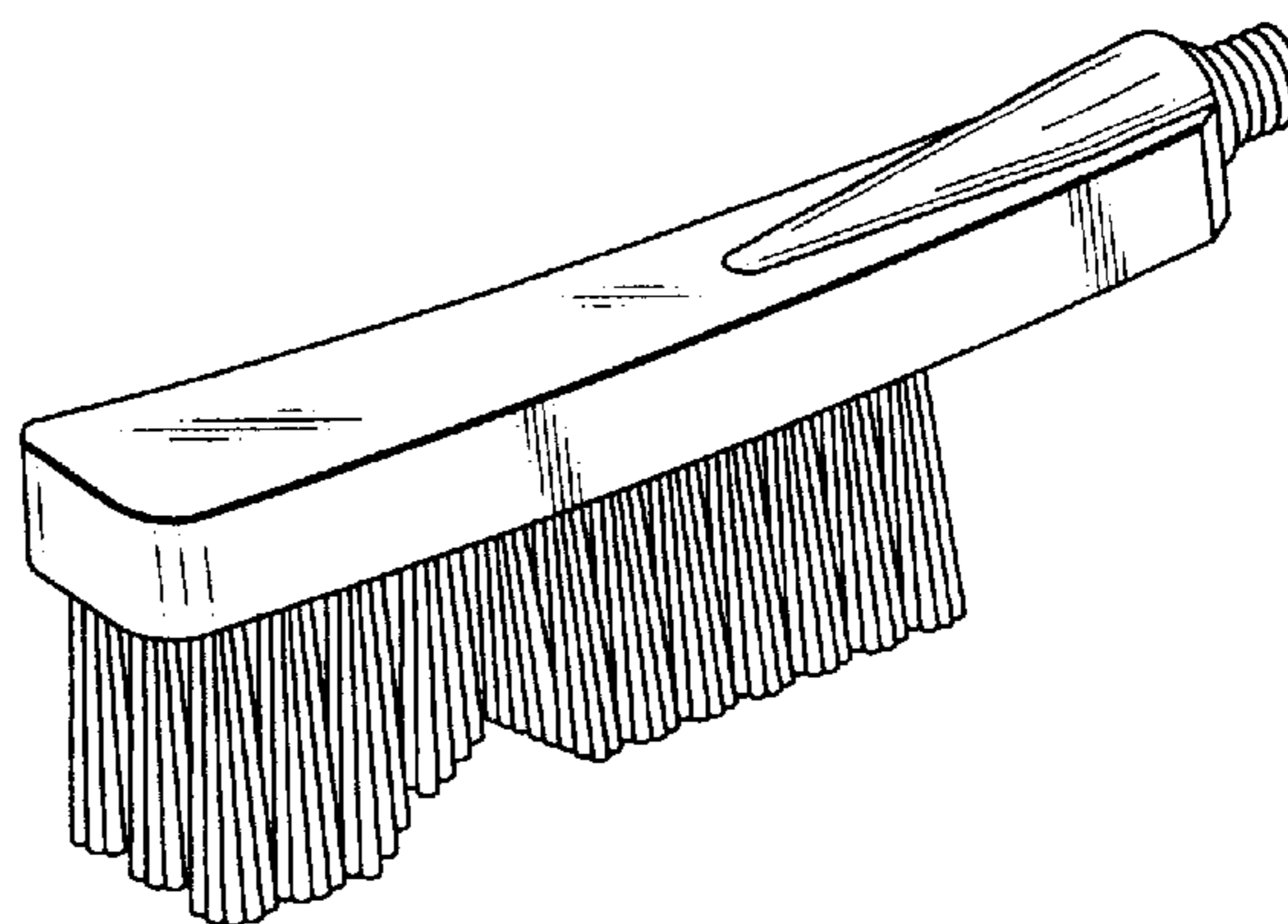
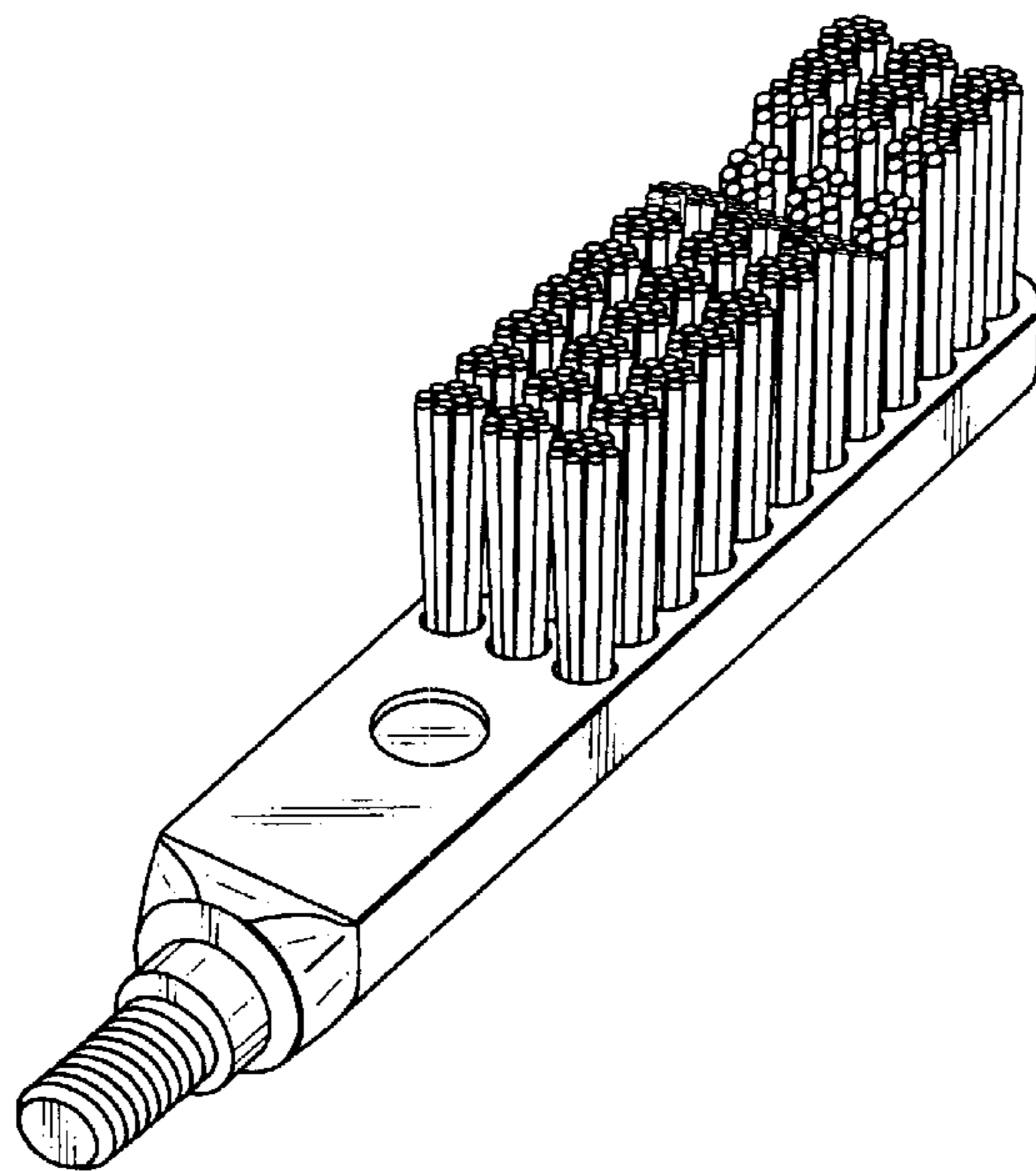
(57) **CLAIM**

The ornamental design for a compact gun cleaning brush, as shown and described.

DESCRIPTION

FIG. 1 is a top perspective view of a compact gun cleaning brush, illustrating my new Design; FIG. 2 is a bottom perspective view thereof; FIG. 3 is a side view thereof; FIG. 4 is a bottom plan view thereof; FIG. 5 is a top plan view thereof; FIG. 6 is a left end view thereof; FIG. 7 is a right end view thereof; and, FIG. 8 is the other side view thereof and is a mirror image of FIG. 3.

1 Claim, 1 Drawing Sheet



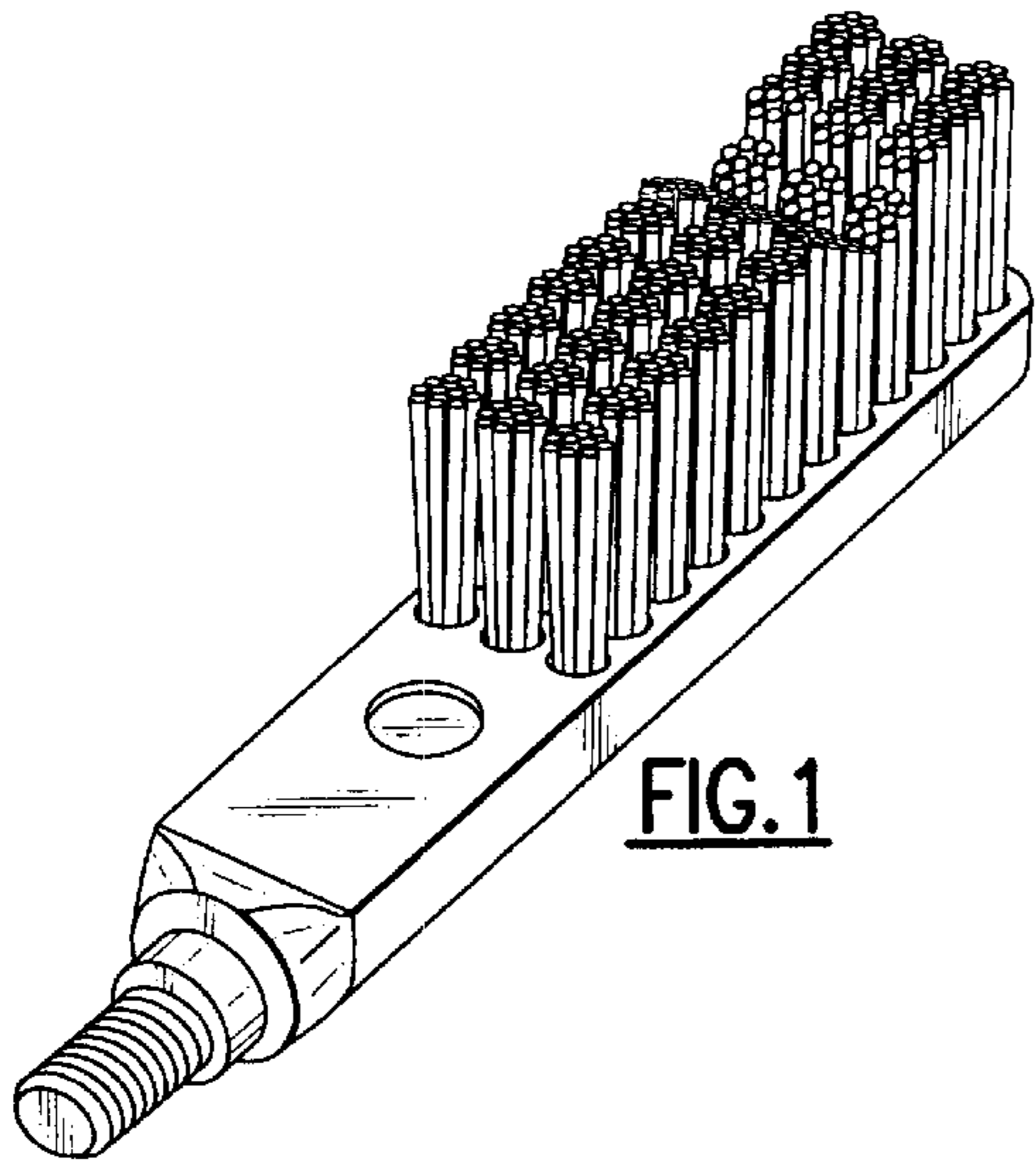


FIG. 1

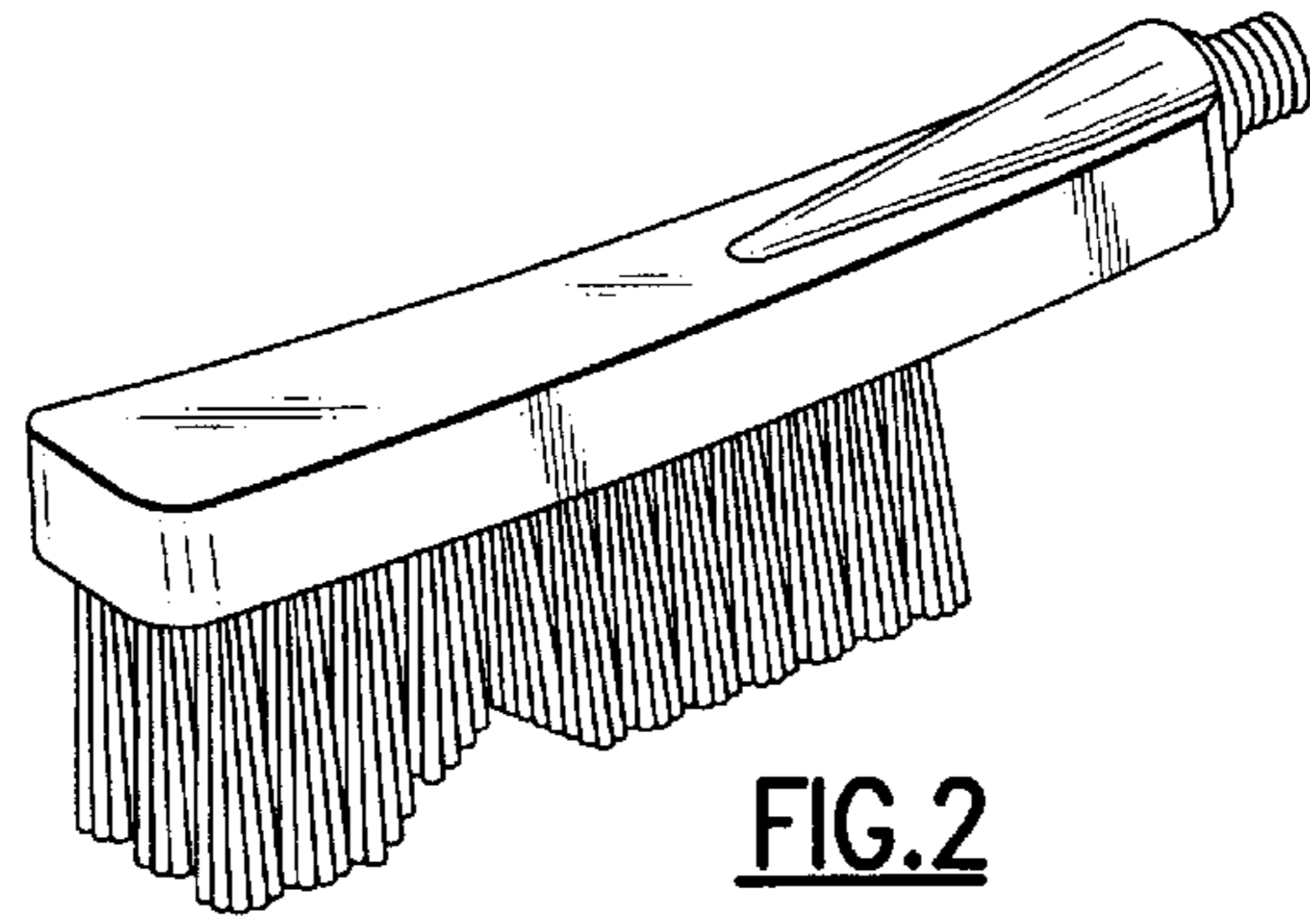


FIG. 2

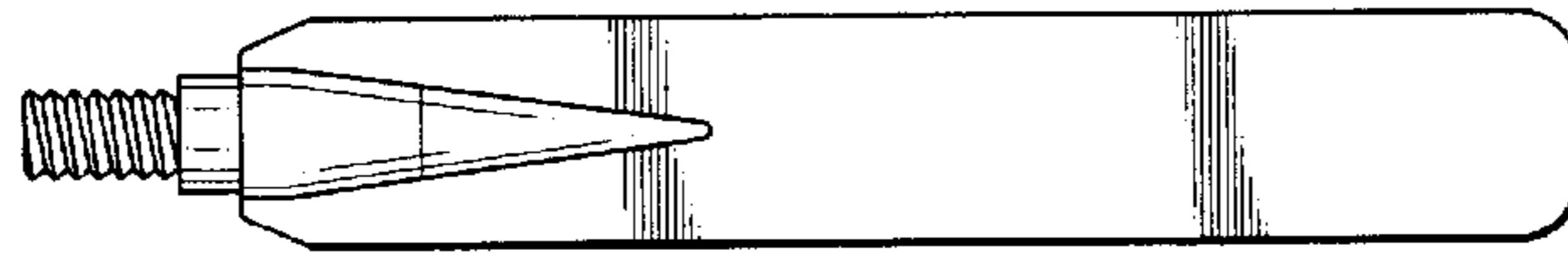


FIG. 4

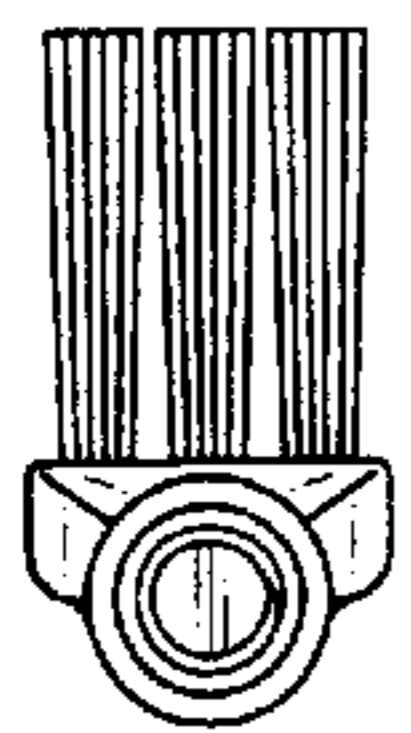


FIG. 6

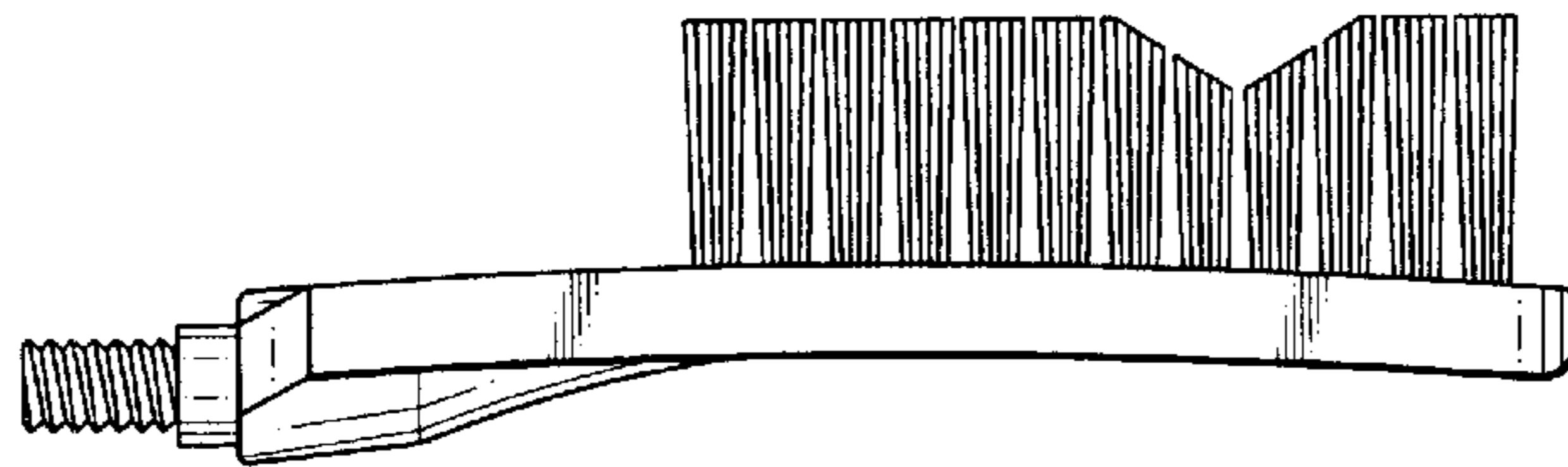


FIG. 3

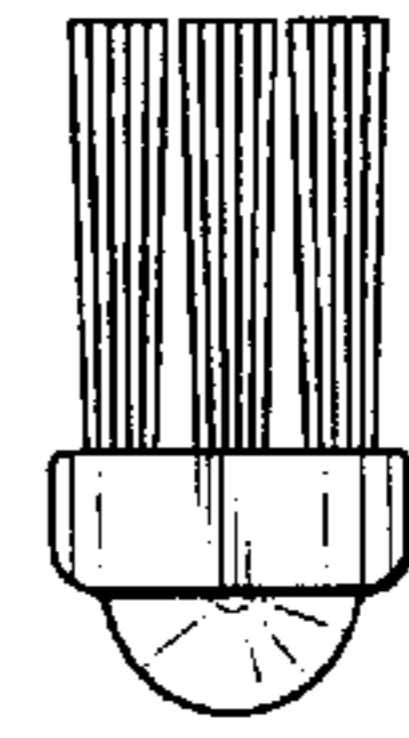


FIG. 7

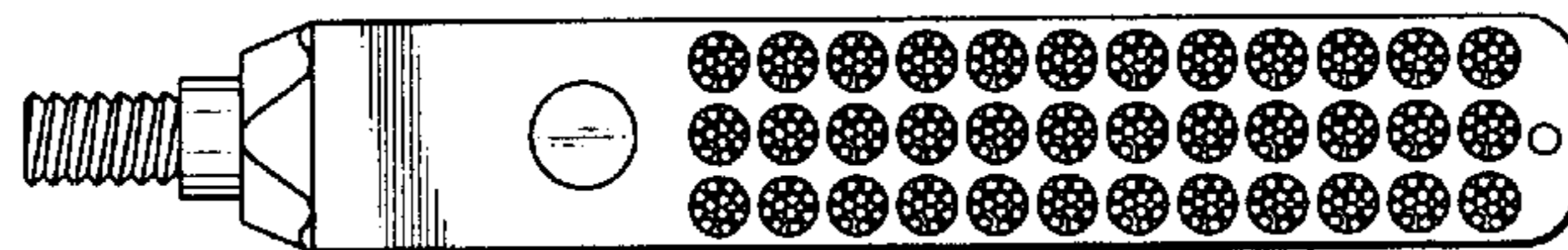


FIG. 5

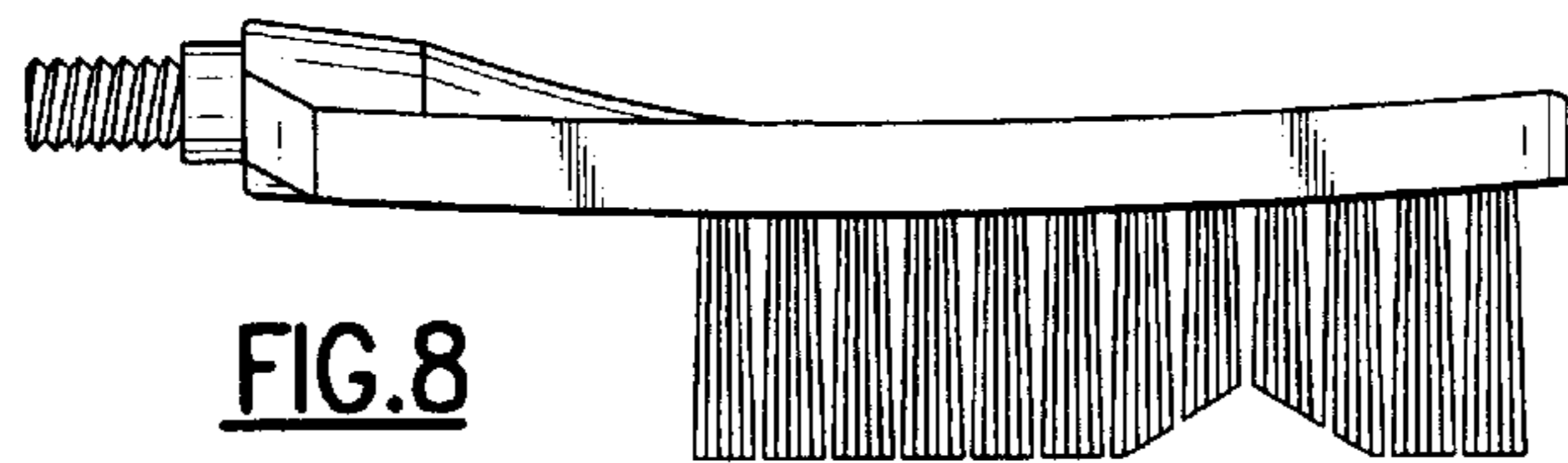


FIG. 8