

US00D542541S

(12) **United States Design Patent**
Lowsky, Jr.

(10) **Patent No.:** **US D542,541 S**

(45) **Date of Patent:** **** May 15, 2007**

(54) **BRUSH TIP**

(76) Inventor: **John Lowsky, Jr.**, 1013- Enclave Way,
Columbia, SC (US) 29223

(**) Term: **14 Years**

(21) Appl. No.: **29/266,416**

(22) Filed: **Sep. 20, 2006**

(51) **LOC (8) Cl.** **04-02**

(52) **U.S. Cl.** **D4/106; D4/120; D4/136**

(58) **Field of Classification Search** D4/105,
D4/106, 117, 119, 120, 134, 136, 138; D24/146,
D24/147, 152, 214; D28/28, 29; 15/106,
15/107, 110, 143.1, 159.1, 160, 176.1, 176.2,
15/186-188; 132/308, 309, 311; 601/136,
601/137, 139, 141

See application file for complete search history.

(56) **References Cited**

U.S. PATENT DOCUMENTS

726,727	A	*	4/1903	Mills	15/188
1,792,188	A		2/1931	Robey		
1,817,585	A	*	8/1931	Samuel	15/188
1,993,662	A		3/1935	Green		
2,044,863	A		6/1936	Sticht		
3,640,291	A		2/1972	Mizuno		
4,115,893	A		9/1978	Nakata et al.		
4,205,664	A		6/1980	Baccalon		
4,768,531	A		9/1988	Broussard		
5,291,878	A		3/1994	Lombardo et al.		
5,438,726	A		8/1995	Leite		
D376,853	S		12/1996	Hsia		
D383,307	S		9/1997	Klein et al.		
5,711,759	A		1/1998	Smith et al.		

5,718,667	A		2/1998	Sugimoto et al.		
5,842,249	A		12/1998	Sato		
5,967,152	A		10/1999	Rimkus		
6,102,923	A		8/2000	Murayama		
D434,566	S	*	12/2000	Mann	D4/117
6,209,164	B1		4/2001	Sato		
D524,056	S	*	7/2006	Tapp	D4/120

OTHER PUBLICATIONS

Pending U.S. Appl. No. 11/285,383 filed Nov. 22, 2005,
John Lowsky, Jr. et al.

* cited by examiner

Primary Examiner—Alan P. Douglas

Assistant Examiner—Lavone D. Tabor

(74) *Attorney, Agent, or Firm*—Nelson Mullins Riley &
Scarborough LLP

(57) **CLAIM**

The ornamental design of an brush tip, substantially as
shown and described.

DESCRIPTION

FIG. 1 is a perspective view of a brush tip embodying the
design of the present invention.

FIG. 2 is a front view of the brush tip illustrated in FIG. 1.

FIG. 3 is a rear view of the brush tip illustrated in FIG. 1.

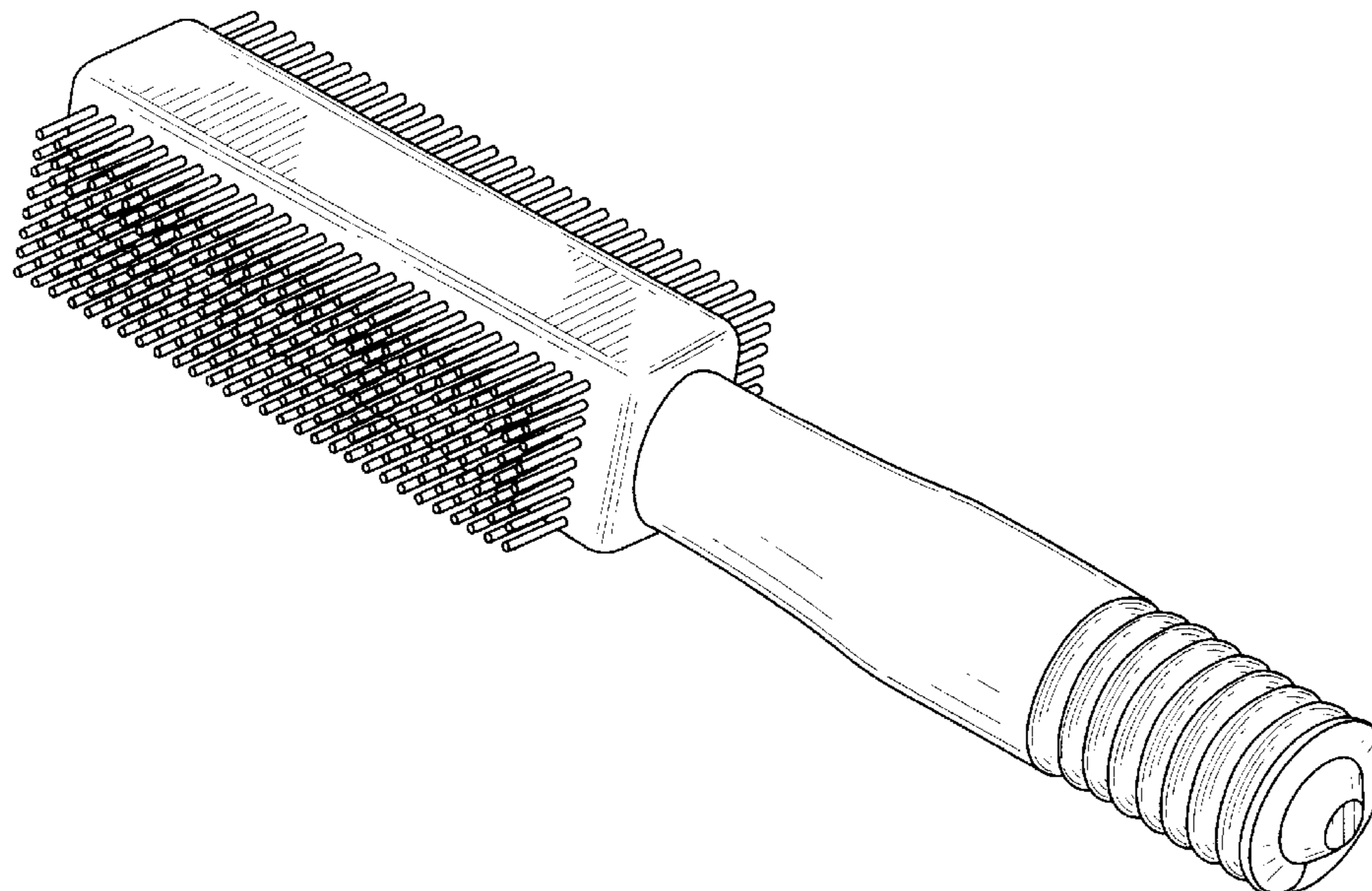
FIG. 4 is a right side elevational view of the brush tip
illustrated in FIG. 1.

FIG. 5 is a left side elevational view of the brush tip
illustrated in FIG. 1.

FIG. 6 is a bottom view of the brush tip illustrated in FIG.
1; and,

FIG. 7 is a top view of the brush tip illustrated in FIG. 1.

1 Claim, 4 Drawing Sheets



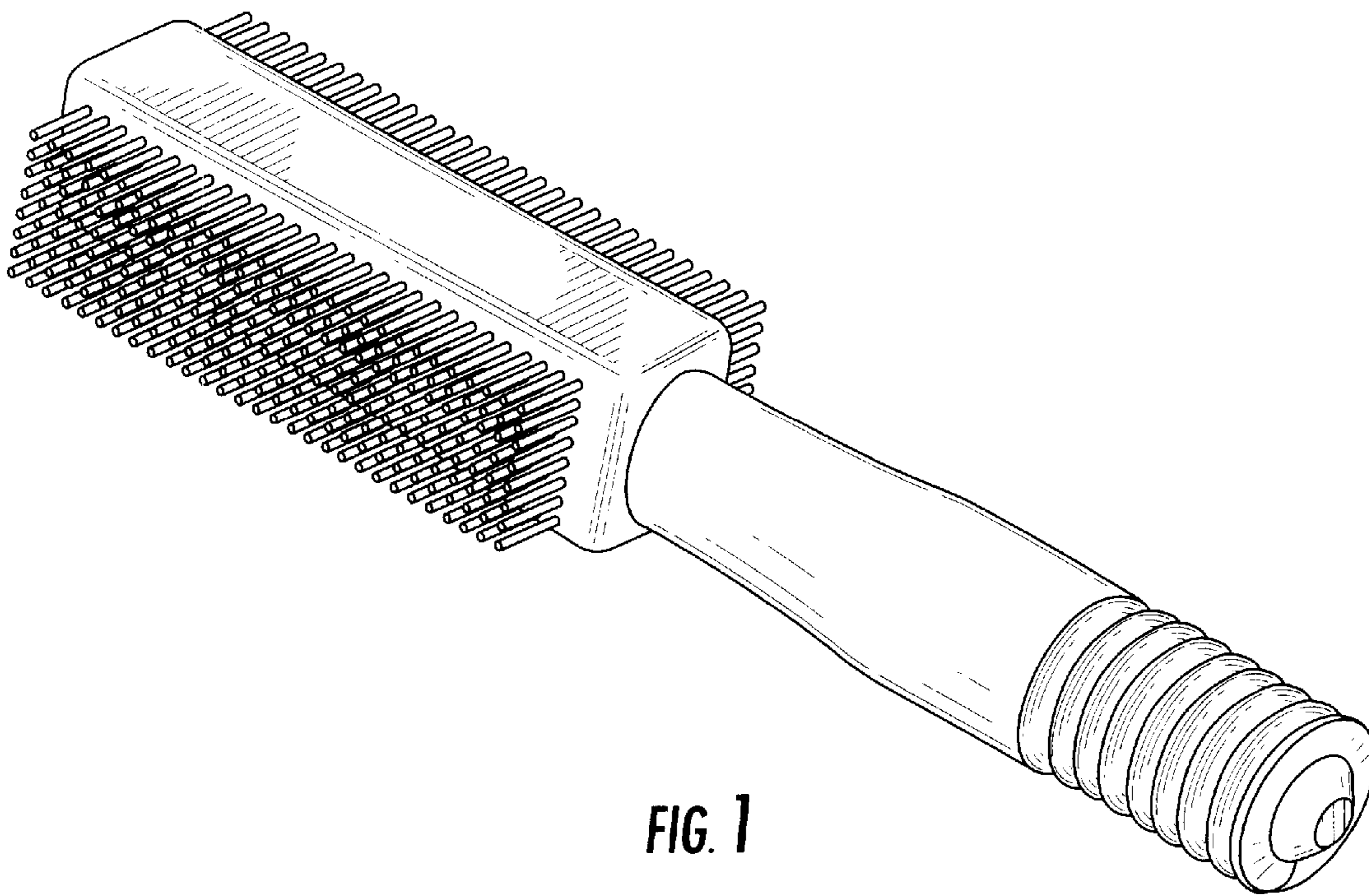


FIG. 1

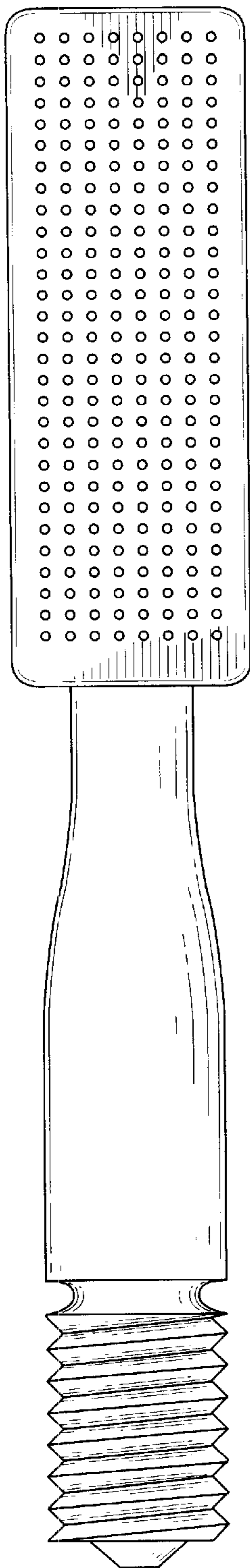


FIG. 2

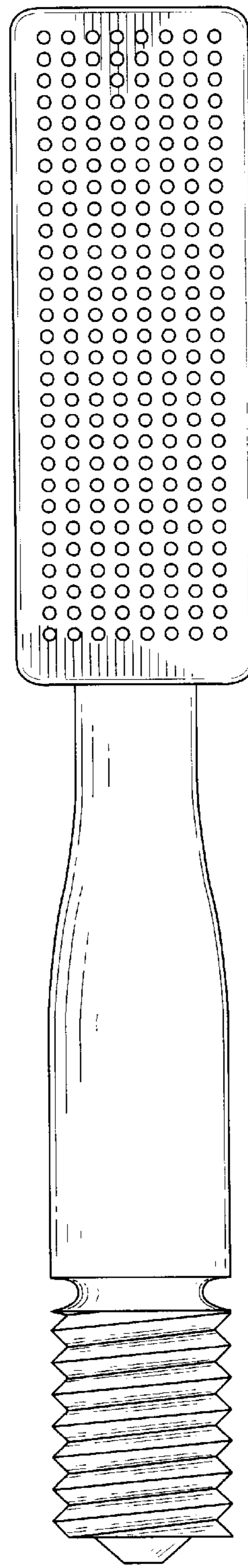


FIG. 3

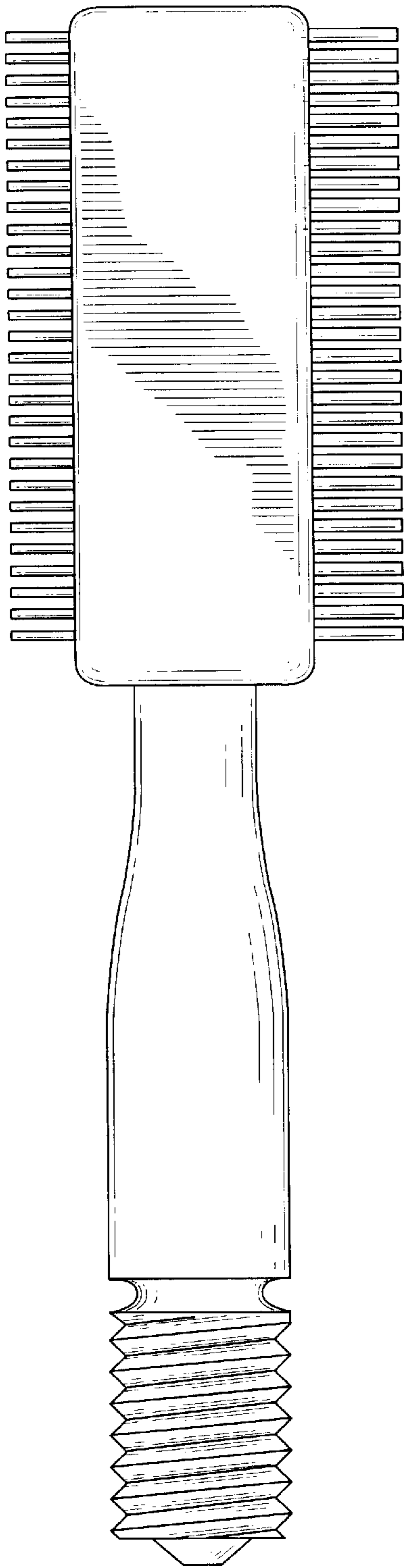


FIG. 4

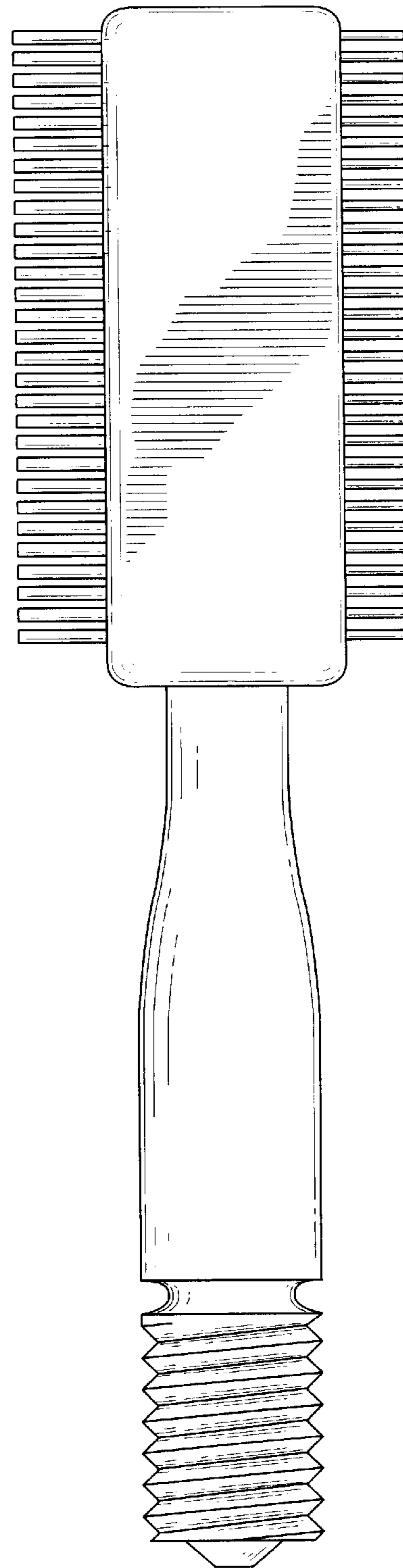


FIG. 5

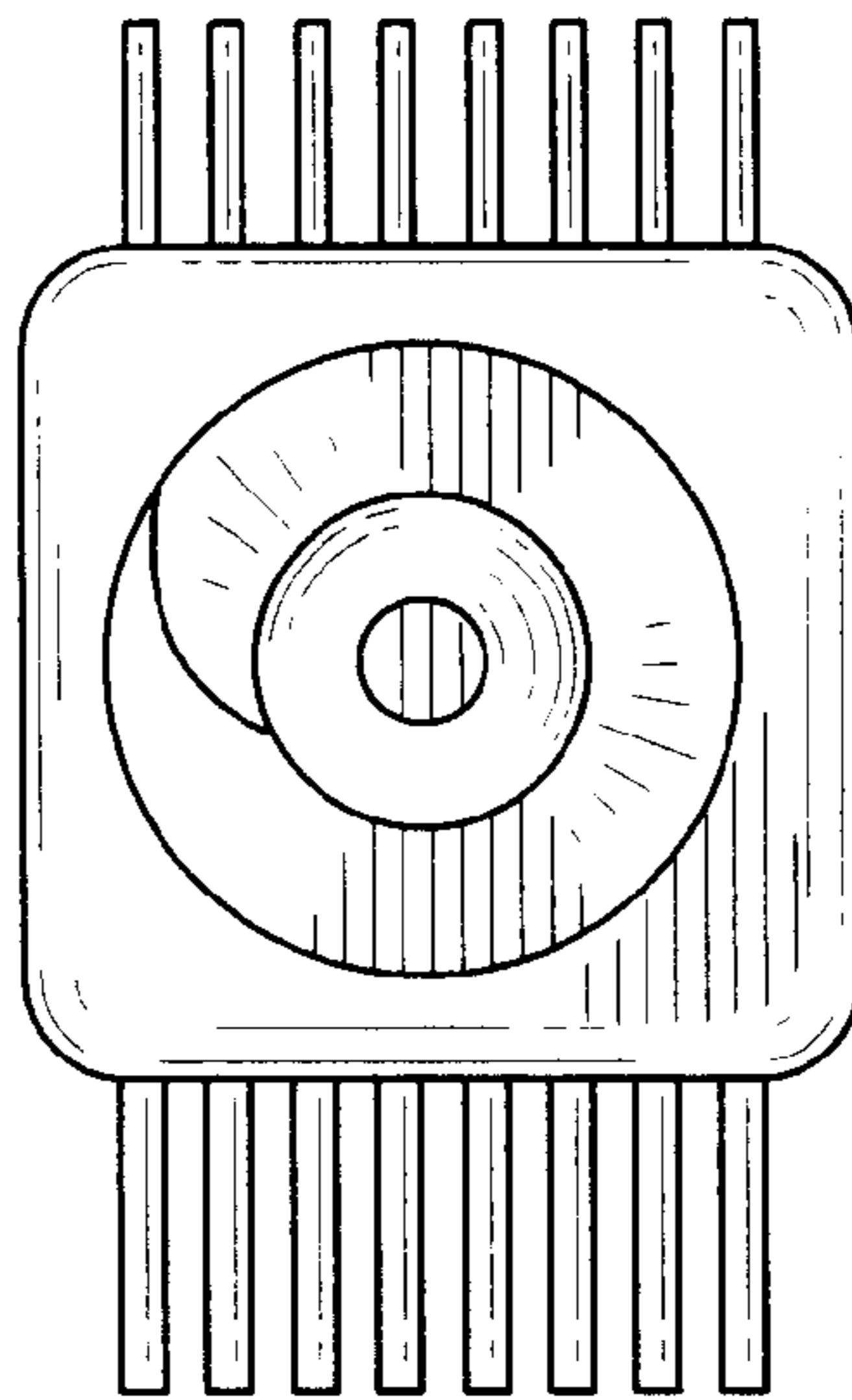


FIG. 6

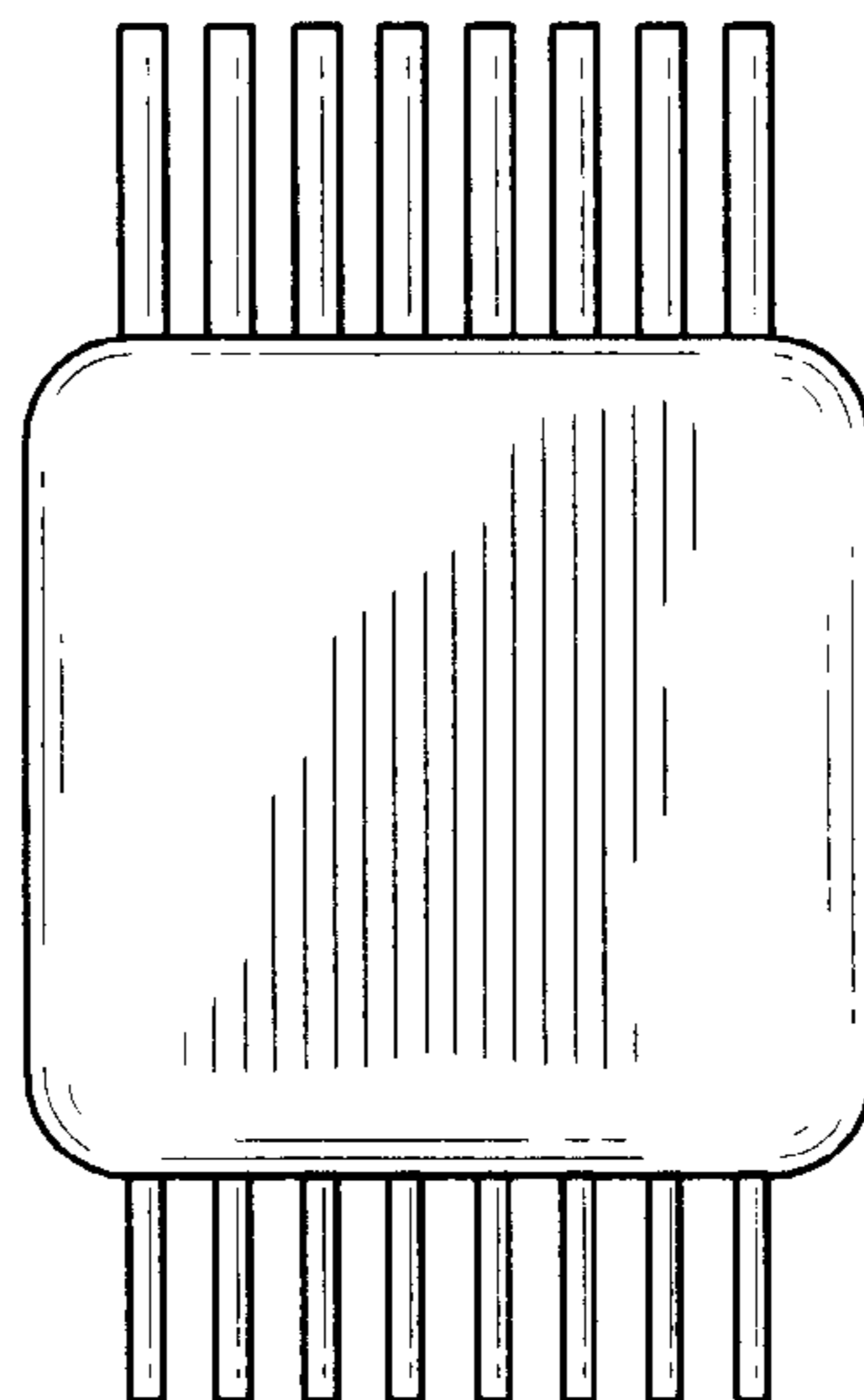


FIG. 7