



US00D542538S

(12) **United States Design Patent**
Klein et al.

(10) **Patent No.:** **US D542,538 S**

(45) **Date of Patent:** **** May 15, 2007**

(54) **TOOL CASE**

(75) Inventors: **Christopher D. Klein**, Cincinnati, OH (US); **Gary S. Bass**, Independence, KY (US)

(73) Assignee: **Campbell Hausfeld/Scott Fetzer Company**, Harrison, OH (US)

(**) Term: **14 Years**

(21) Appl. No.: **29/255,705**

(22) Filed: **Mar. 10, 2006**

(51) **LOC (8) Cl.** **03-01**

(52) **U.S. Cl.** **D3/321**

(58) **Field of Classification Search** D3/315, D3/316, 321, 228, 229, 303, 309; D6/468; 81/117.4, 490; 206/209, 349, 362, 372, 377; 224/148.7, 230, 677, 679

See application file for complete search history.

(56) **References Cited**

U.S. PATENT DOCUMENTS

5,526,929 A * 6/1996 Wei 206/372
D436,441 S * 1/2001 Lapidus D3/315

D480,873 S * 10/2003 Eberwein et al. D3/321
6,675,967 B2 * 1/2004 Huang 206/372
D532,603 S * 11/2006 Chen D3/228
2004/0188279 A1 * 9/2004 Chen 206/216

* cited by examiner

Primary Examiner—Louis S. Zarfes

Assistant Examiner—Monica A. Weingart

(74) *Attorney, Agent, or Firm*—Jones Day

(57) **CLAIM**

The ornamental design for a tool case, as shown and described.

DESCRIPTION

FIG. 1 is a perspective view of a tool case embodying the ornamental design of the present invention;

FIG. 2 is a top view thereof;

FIG. 3 is a bottom view thereof;

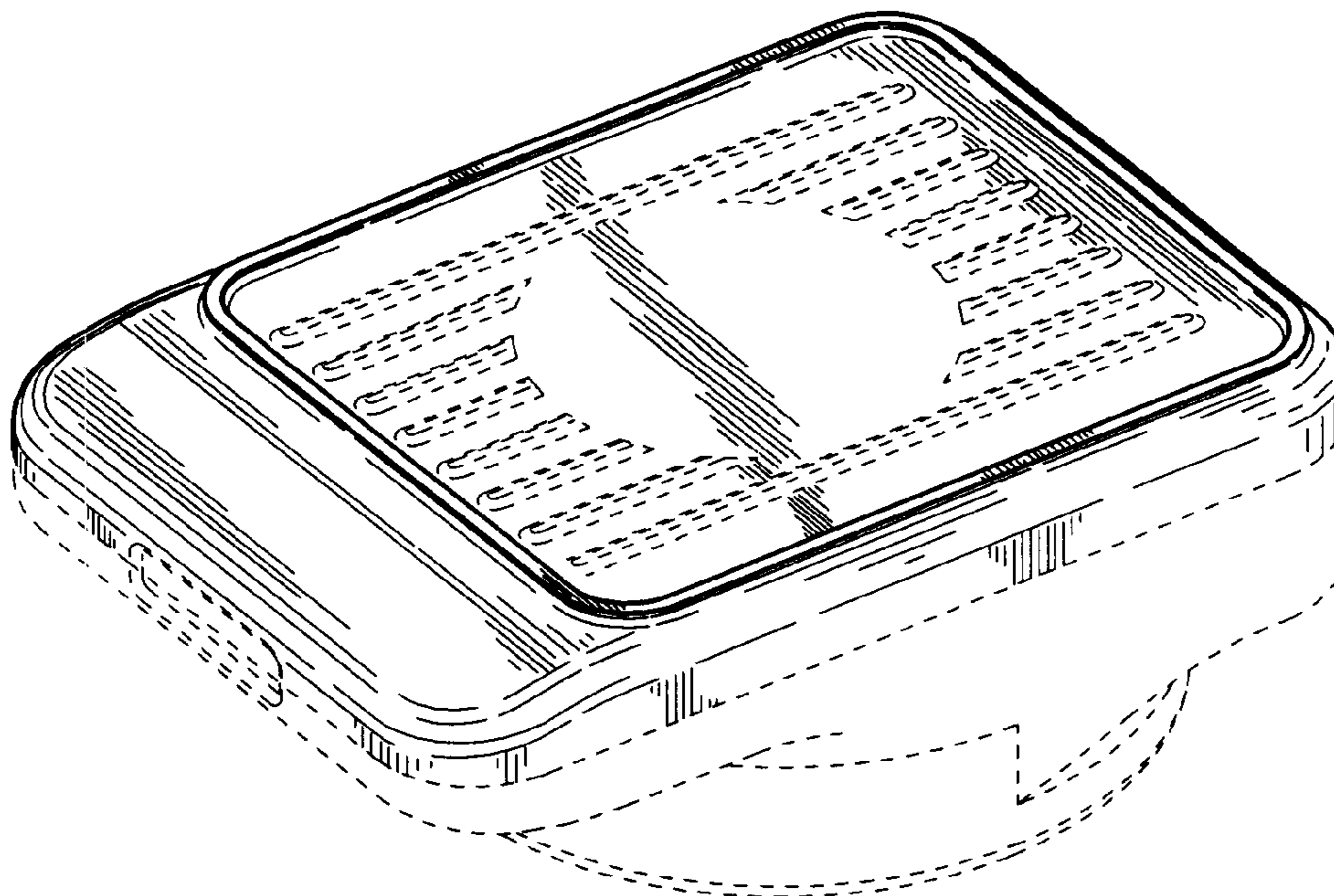
FIG. 4 is a side view thereof, the opposite side being a mirror image;

FIG. 5 is a front view thereof; and,

FIG. 6 is a rear view thereof.

The broken lines in FIGS. 1–6 are for illustrative purposes only and form no part of the claimed design.

1 Claim, 1 Drawing Sheet



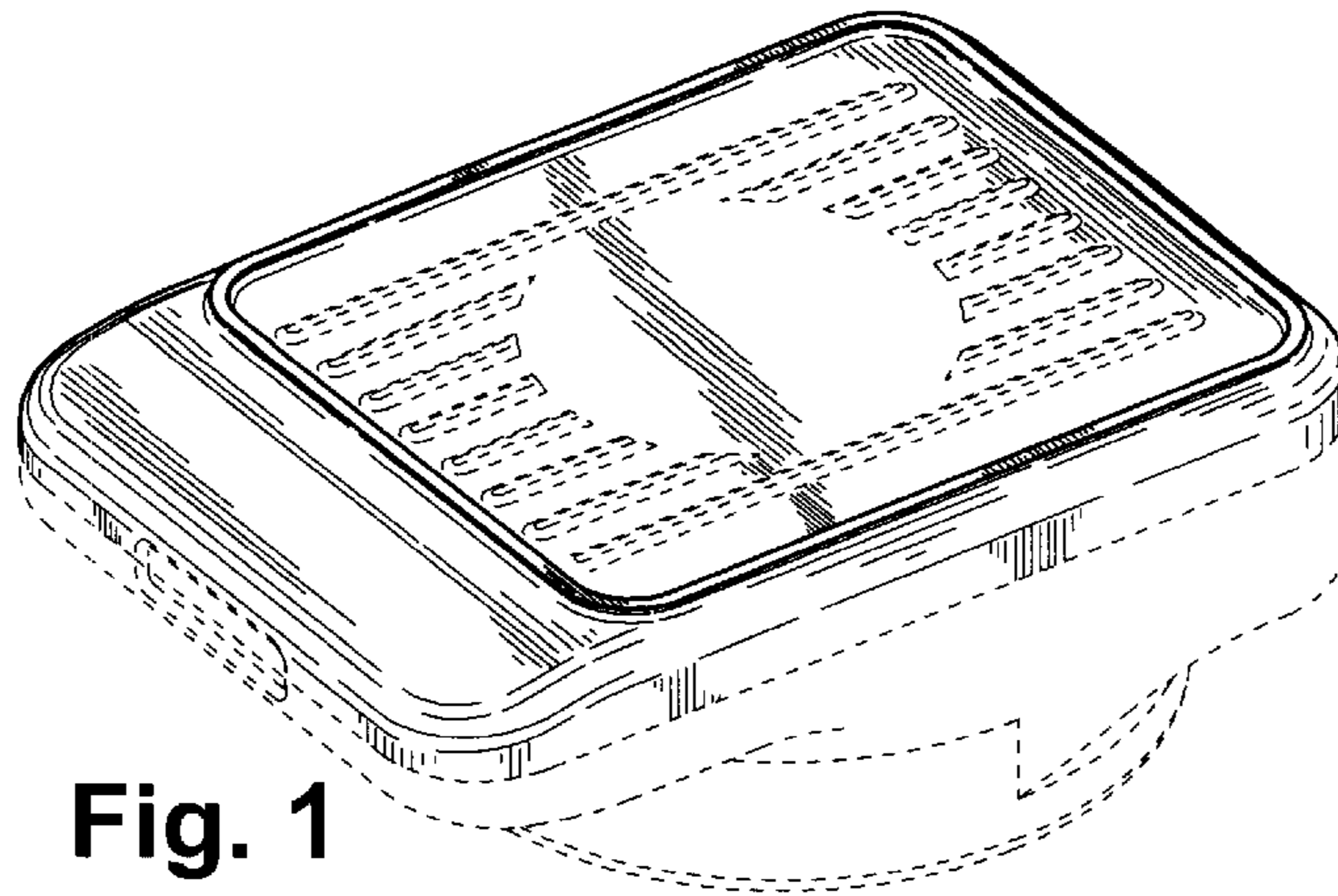


Fig. 1

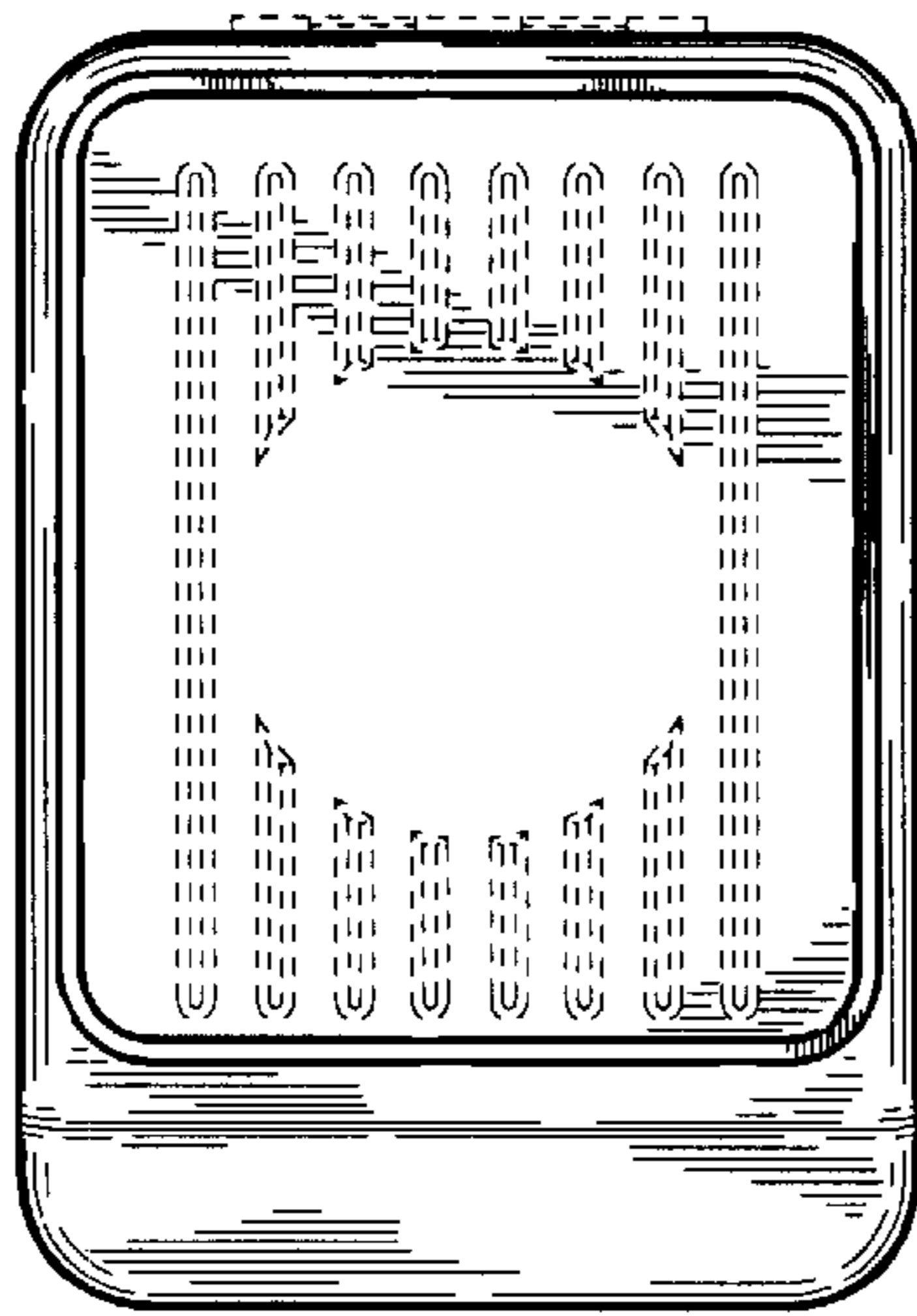


Fig. 2

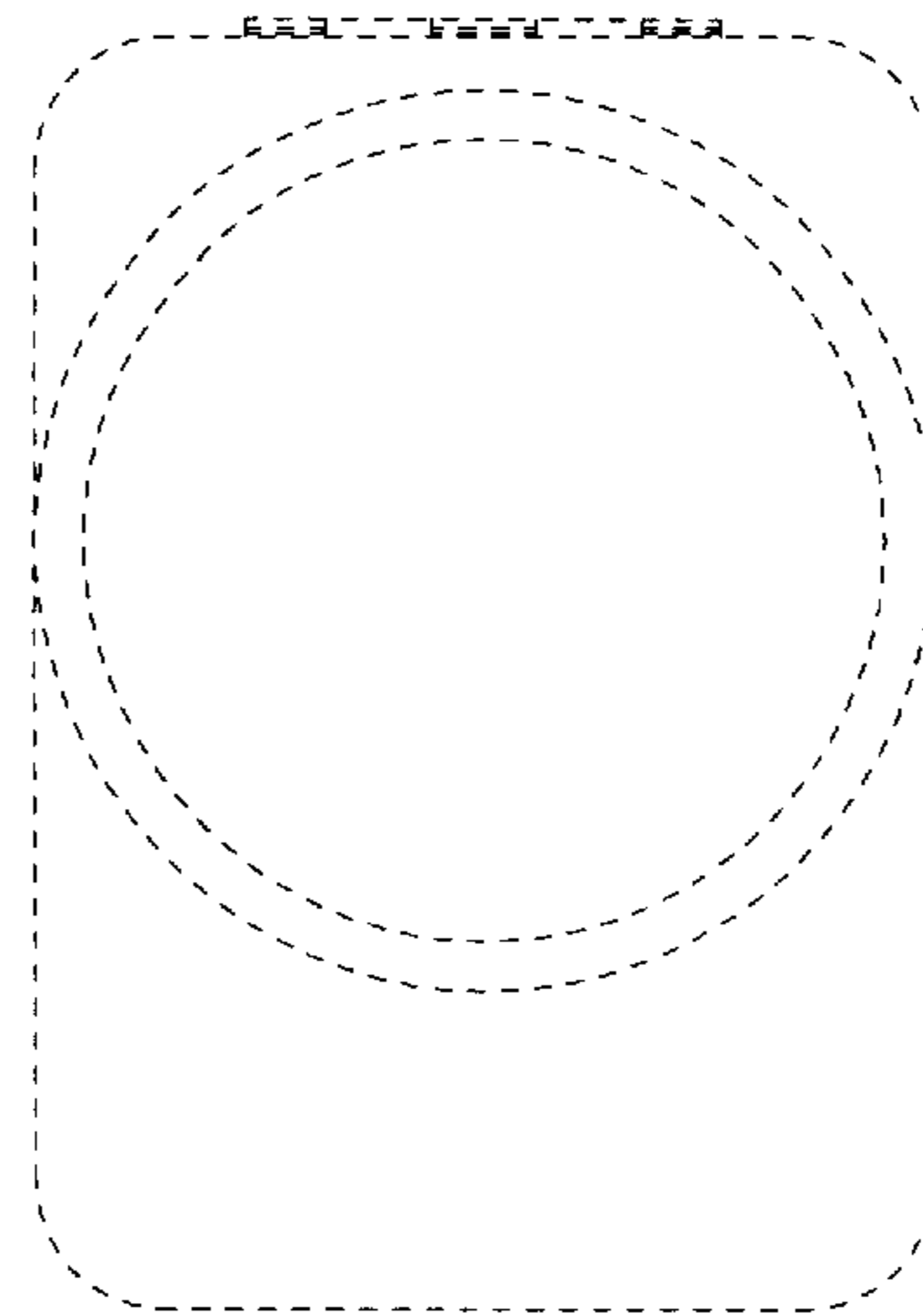


Fig. 3

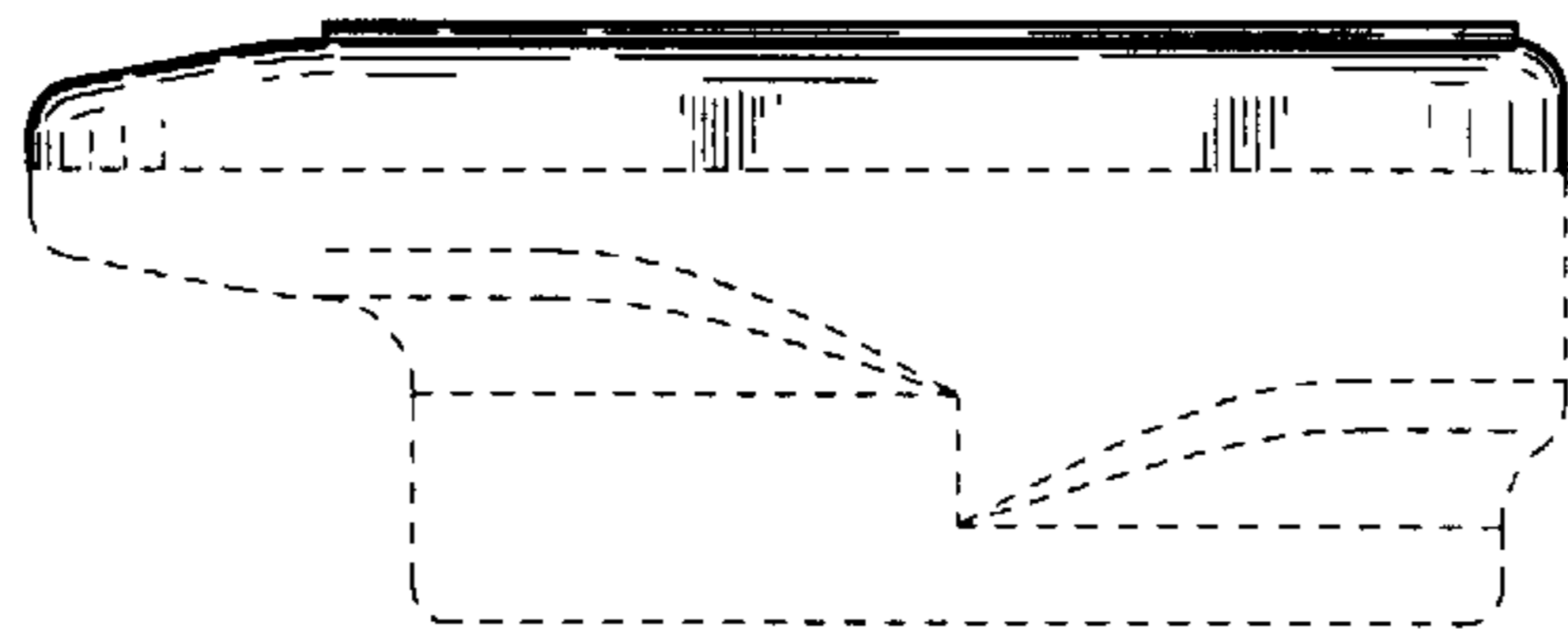


Fig. 4

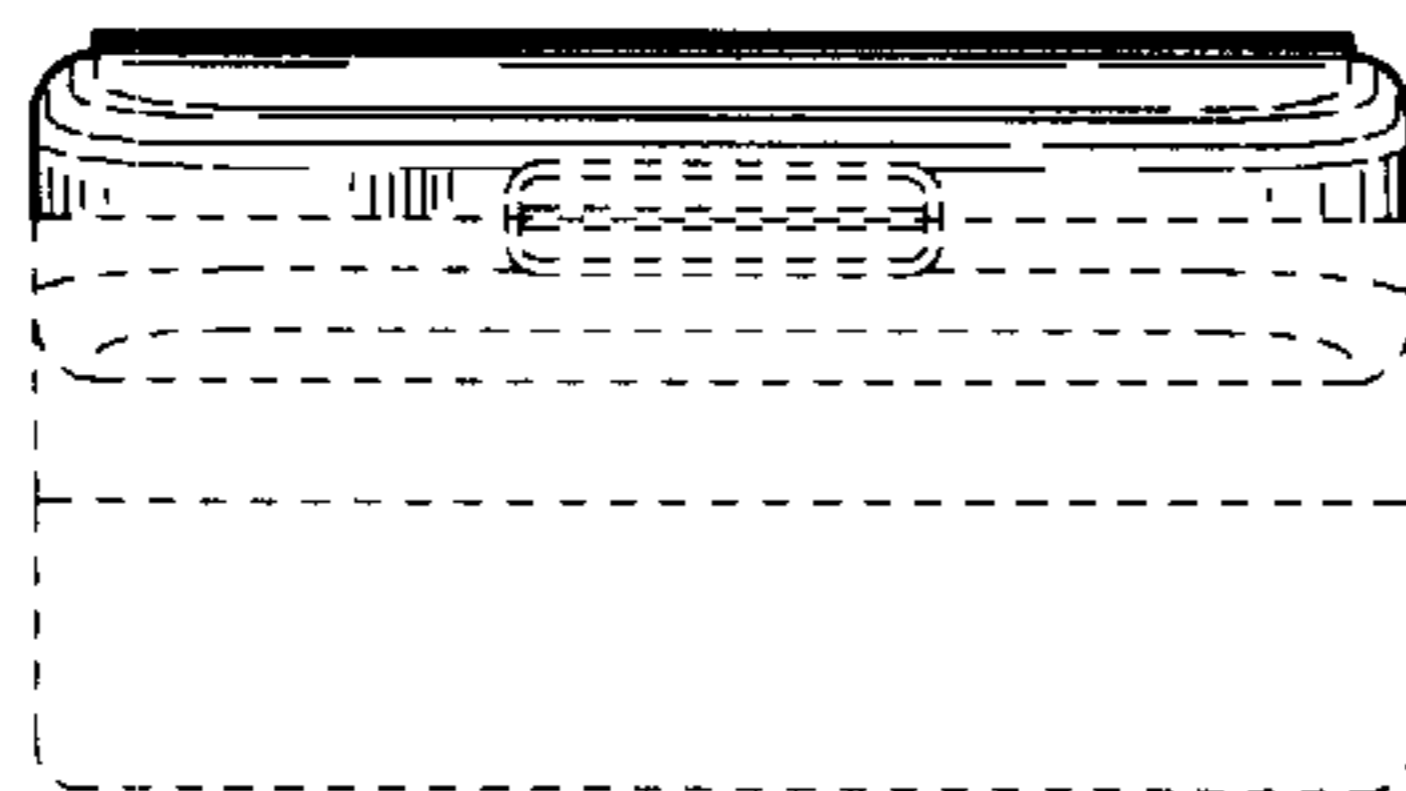


Fig. 5

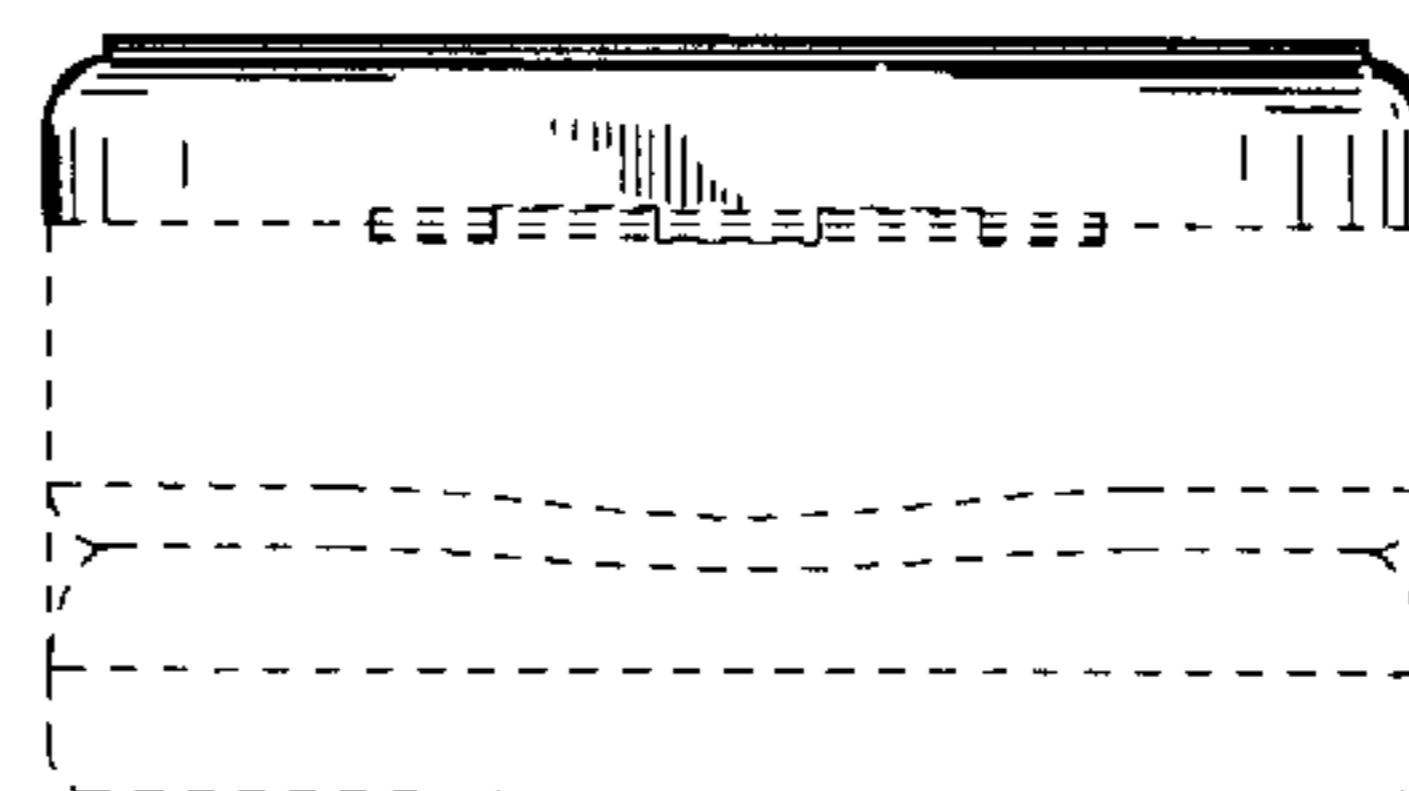


Fig. 6