

US00D542537S

(12) **United States Design Patent**  
**Schwartz et al.**

(10) **Patent No.:** **US D542,537 S**

(45) **Date of Patent:** **\*\* May 15, 2007**

(54) **BOTTLE CARRIER**

D526,776 S \* 8/2006 Riley ..... D3/229

(76) Inventors: **Peter Schwartz**, 7611 Maple Ave.,  
Suite 509, Takoma Park, MD (US)  
20912; **David Schwartz**, 505 Grand St.,  
#2, New York, NY (US) 10002

\* cited by examiner

*Primary Examiner*—Louis S. Zarfes  
*Assistant Examiner*—Monica A. Weingart  
(74) *Attorney, Agent, or Firm*—Sughrue Mion, PLLC

(\*\*) Term: **14 Years**

(57) **CLAIM**

(21) Appl. No.: **29/239,993**

The ornamental design for a bottle carrier, as shown and described.

(22) Filed: **Oct. 7, 2005**

**DESCRIPTION**

(51) **LOC (8) Cl.** ..... **03-01**

(52) **U.S. Cl.** ..... **D3/316**

(58) **Field of Classification Search** ..... D3/202,  
D3/315, 316, 321, 228, 229, 309; D6/513;  
D7/607, 619.1; 141/106, 340; 211/85, 134;  
206/209, 382; 224/148.3, 193, 230, 677,  
224/679; 294/87.2, 149, 163; D9/434, 455,  
D9/753

FIG. 1 is a perspective view of the bottle carrier of this invention

FIG. 2 is a front side view of the bottle carrier of this invention

FIG. 3 is a back side view of the bottle carrier of this invention

FIG. 4 is a side view of the bottle carrier of this invention

FIG. 5 is a top view of the bottle carrier of this invention

FIG. 6 is a bottom view of the bottle carrier of this invention

FIG. 7 is an enlarged view of the detail 7 in FIG. 1 showing the outside of the coupling and clamping member of this invention; and,

FIG. 8 is an enlarged view of the detail 8 in FIG. 8 illustrating the inside of the coupling and clamping member of this invention.

See application file for complete search history.

(56) **References Cited**

**U.S. PATENT DOCUMENTS**

1,825,897	A	*	10/1931	Brooke	.....	D3/202
D347,734	S	*	6/1994	Patterson et al.	.....	D3/229
5,407,110	A	*	4/1995	Marsh, Jr.	.....	D3/229
D403,162	S	*	12/1998	Williams	.....	D3/229
D447,862	S	*	9/2001	Vagelatos et al.	.....	D3/202
D499,015	S		11/2004	Schwartz		

**1 Claim, 8 Drawing Sheets**

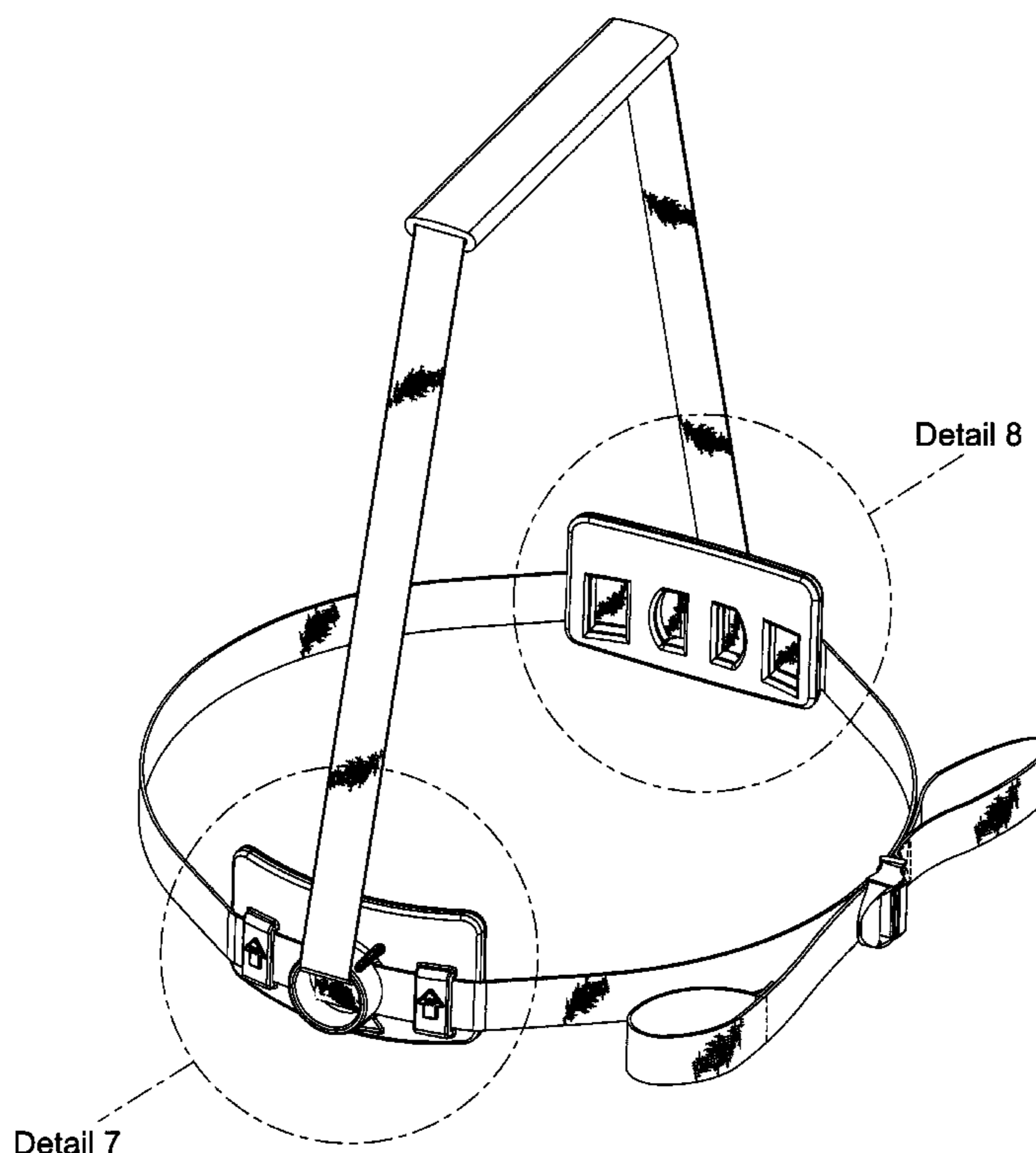


FIG. 1

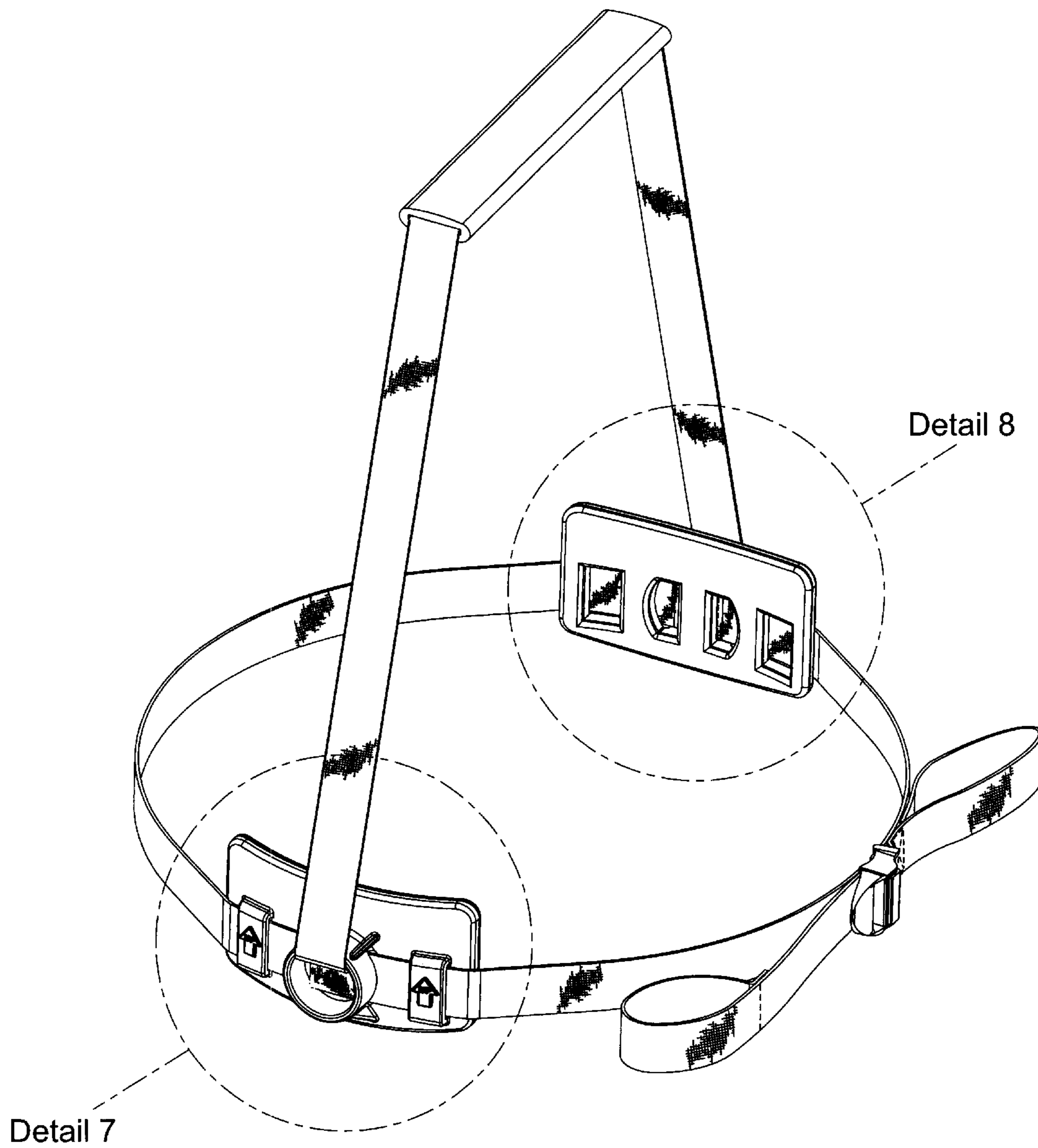


FIG. 2

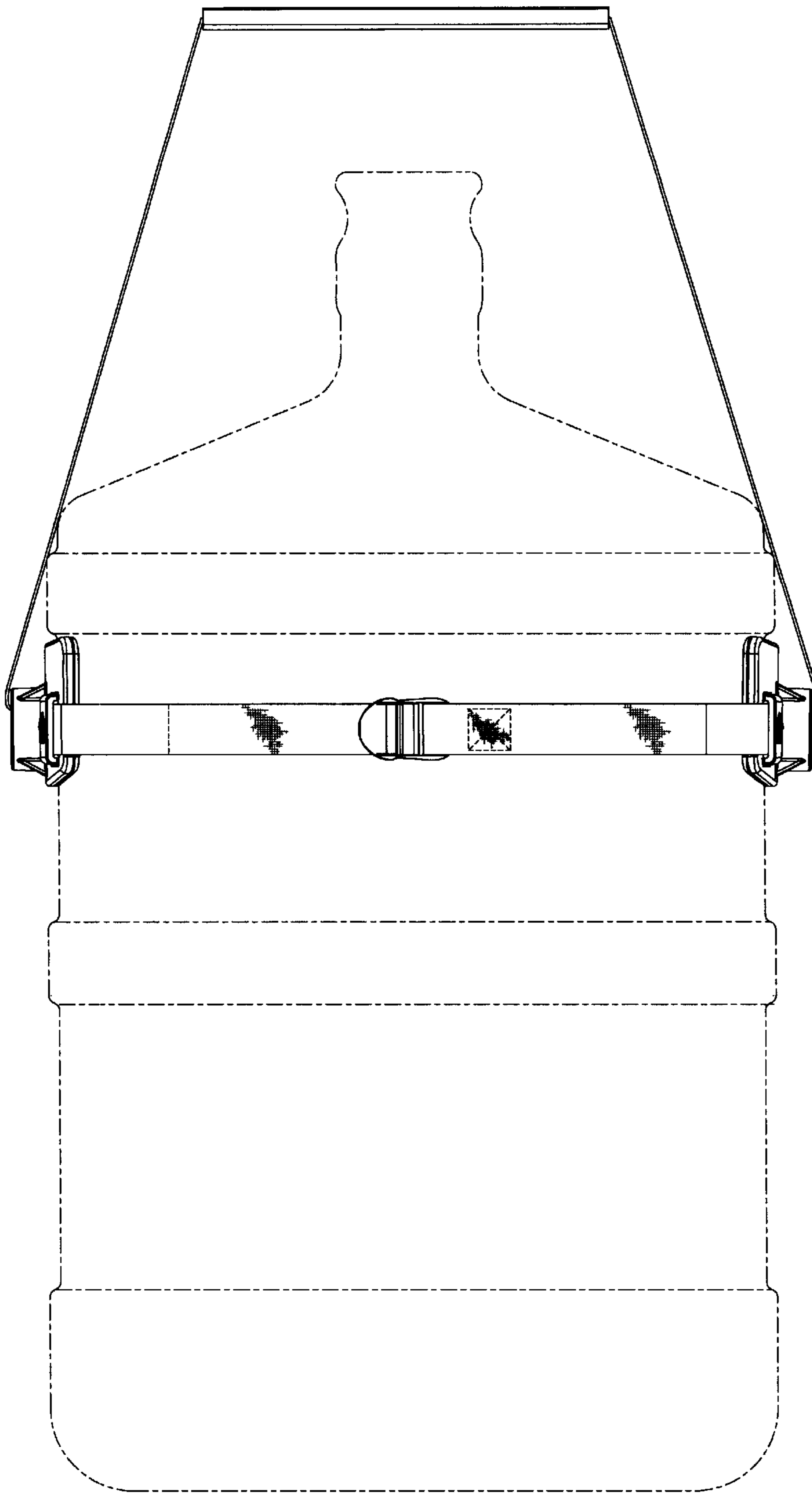


FIG. 3

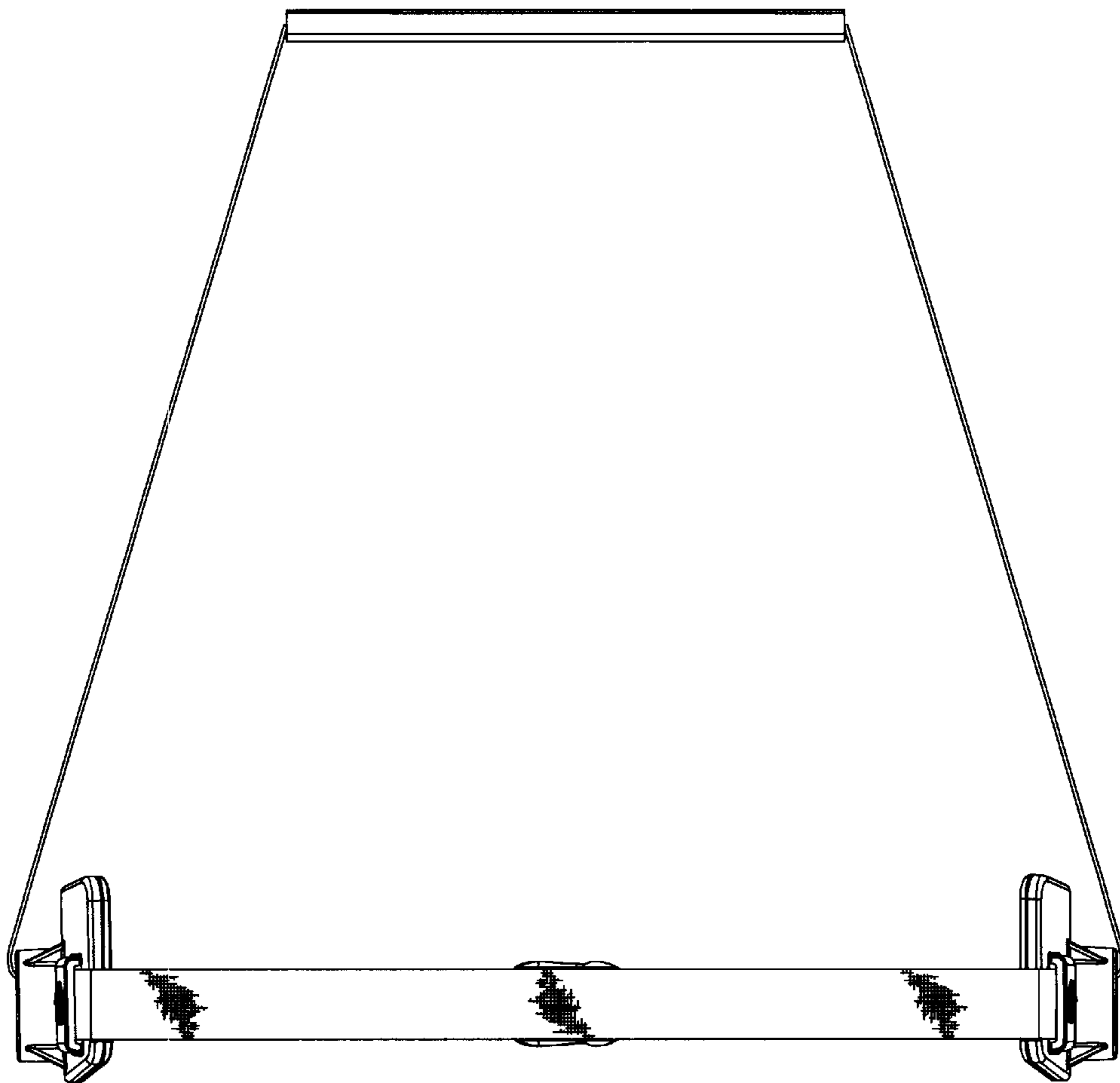


FIG. 4

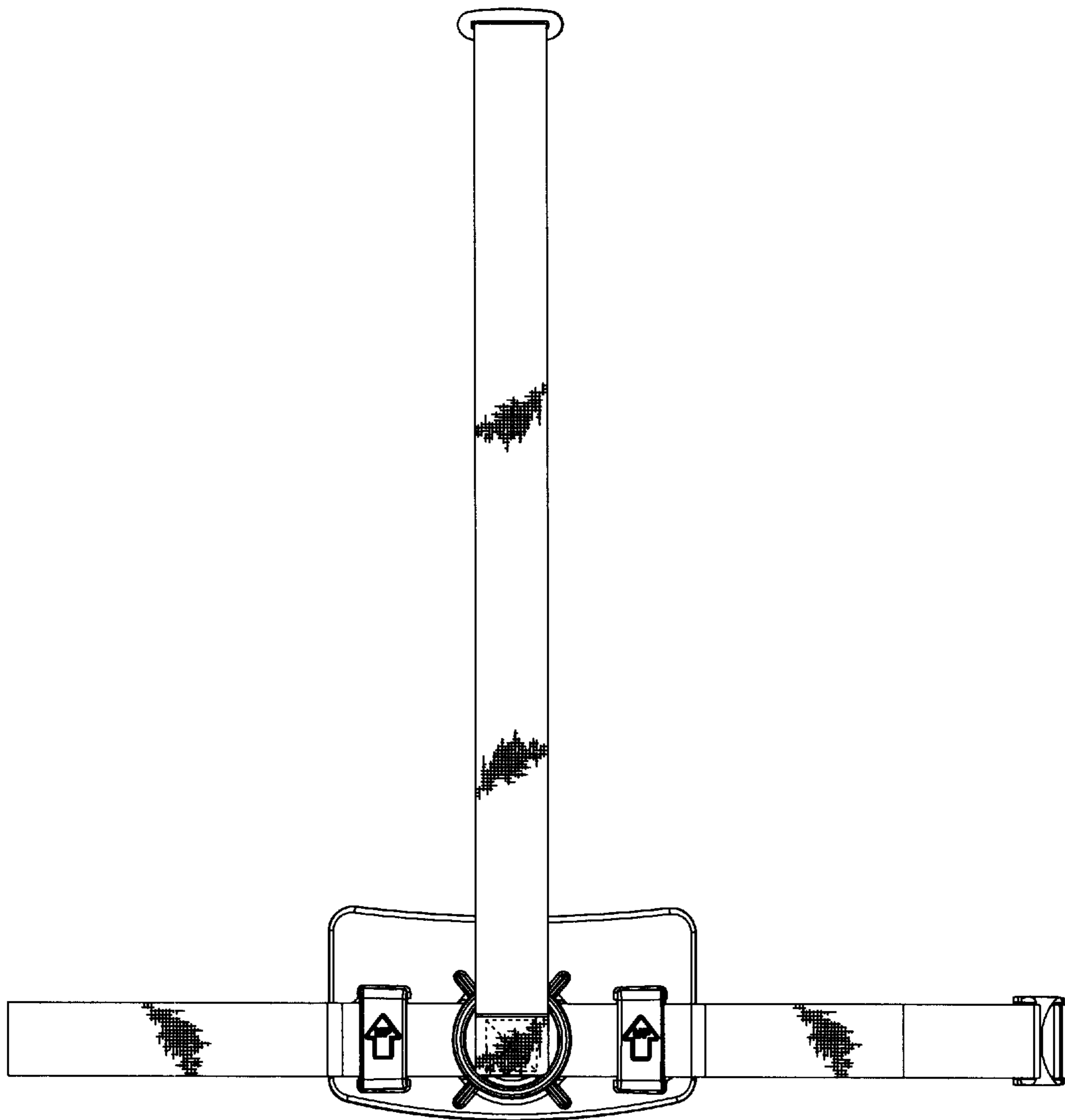


FIG. 5

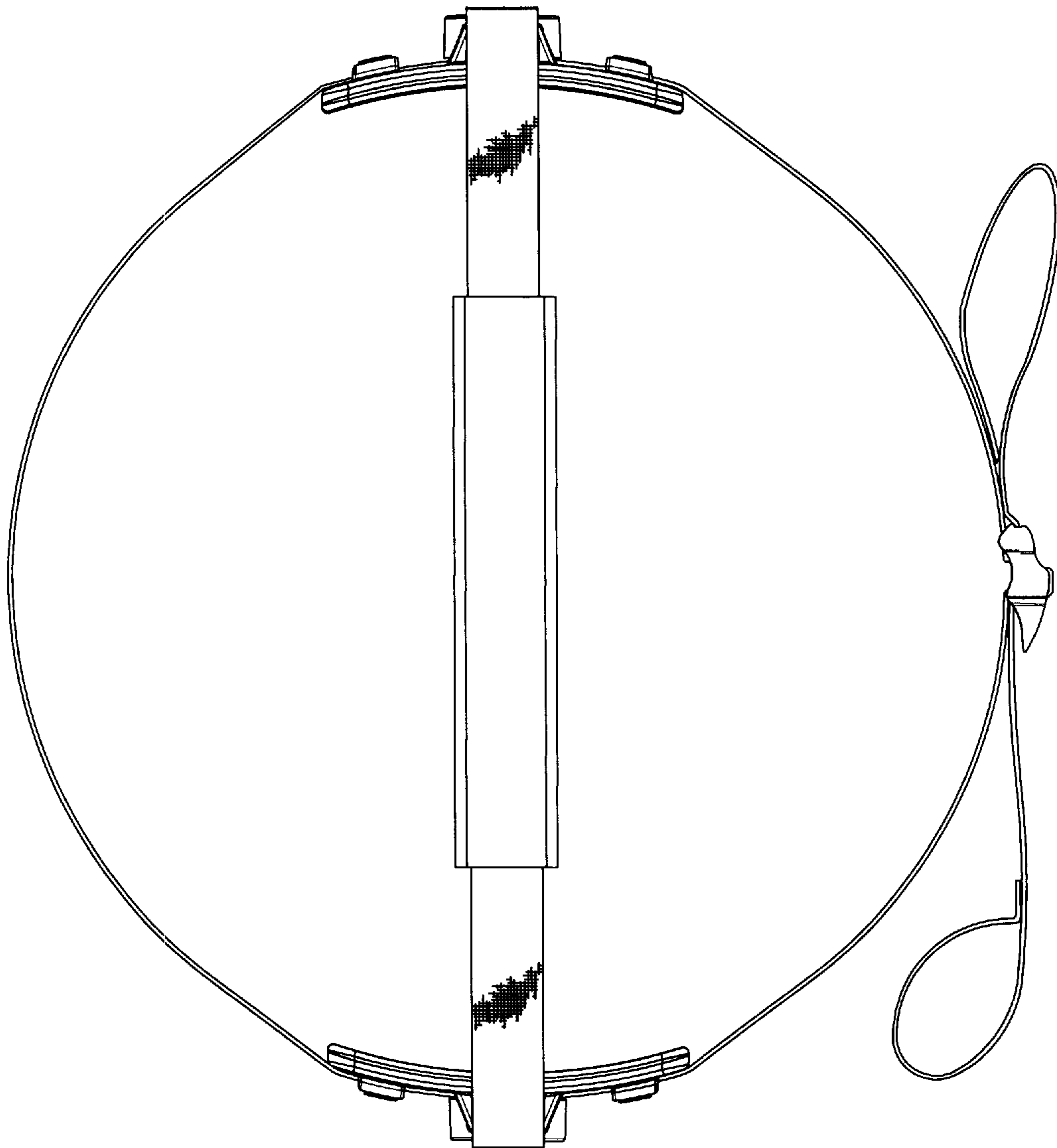
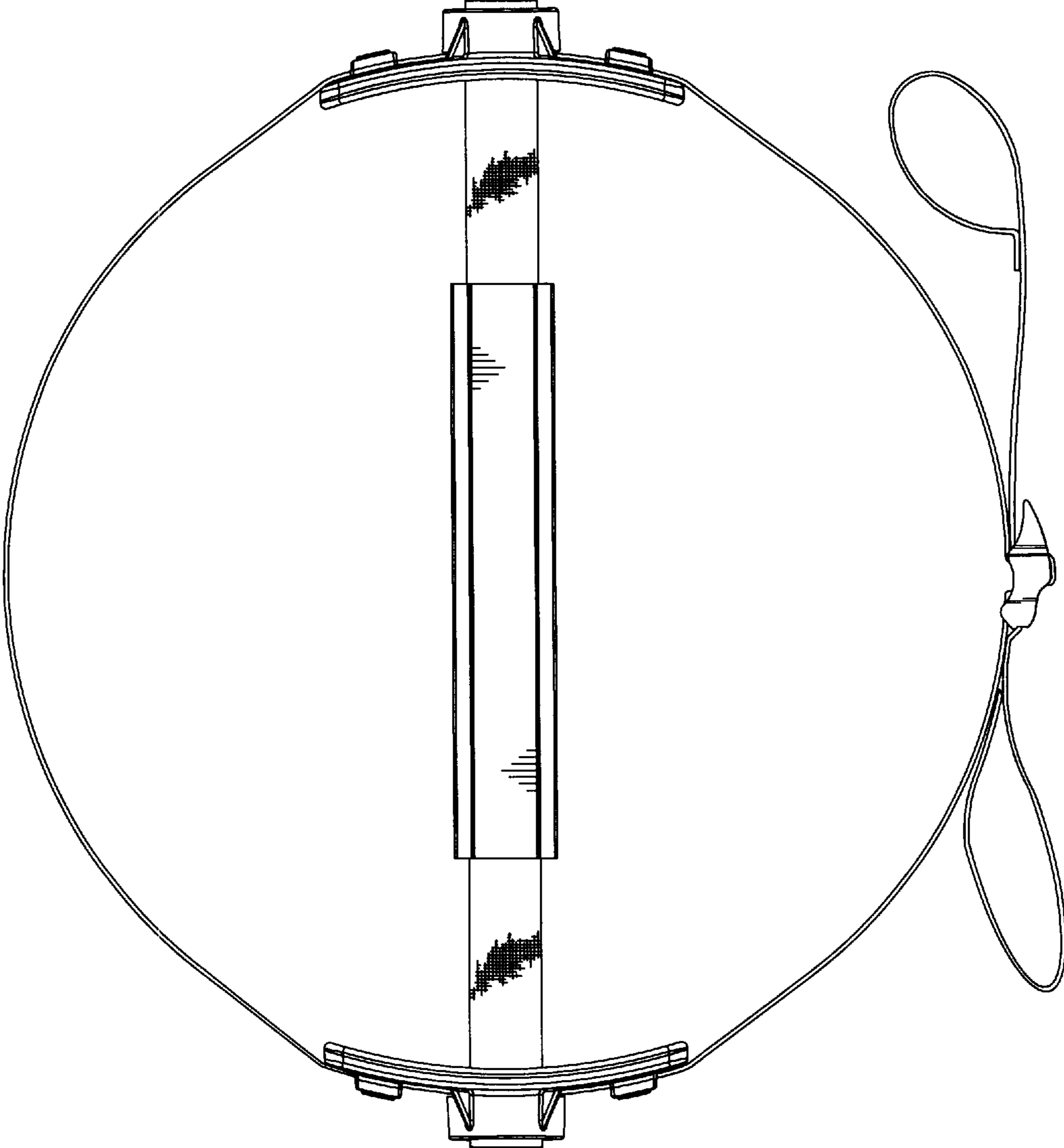


FIG. 6



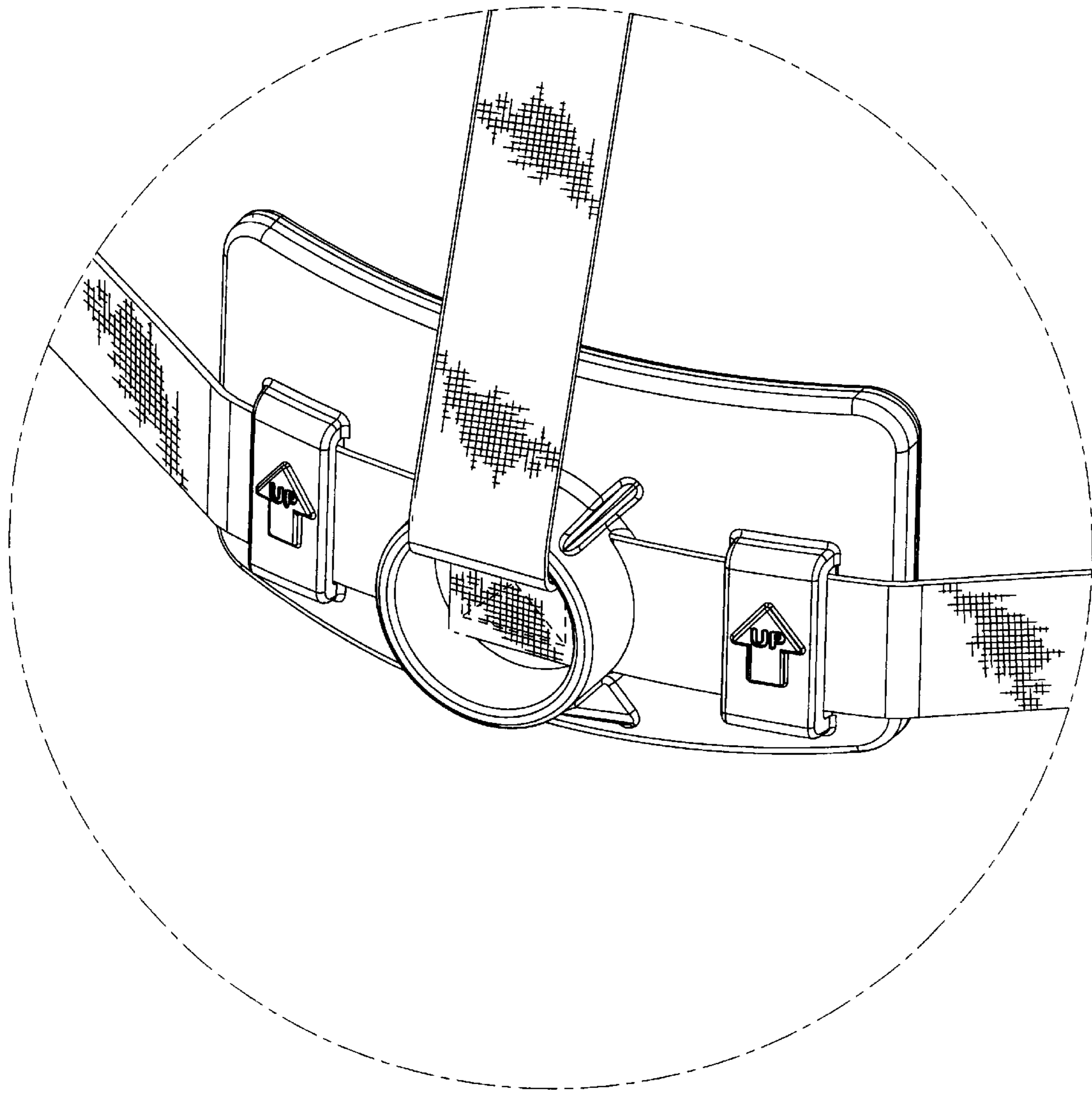


FIG. 7



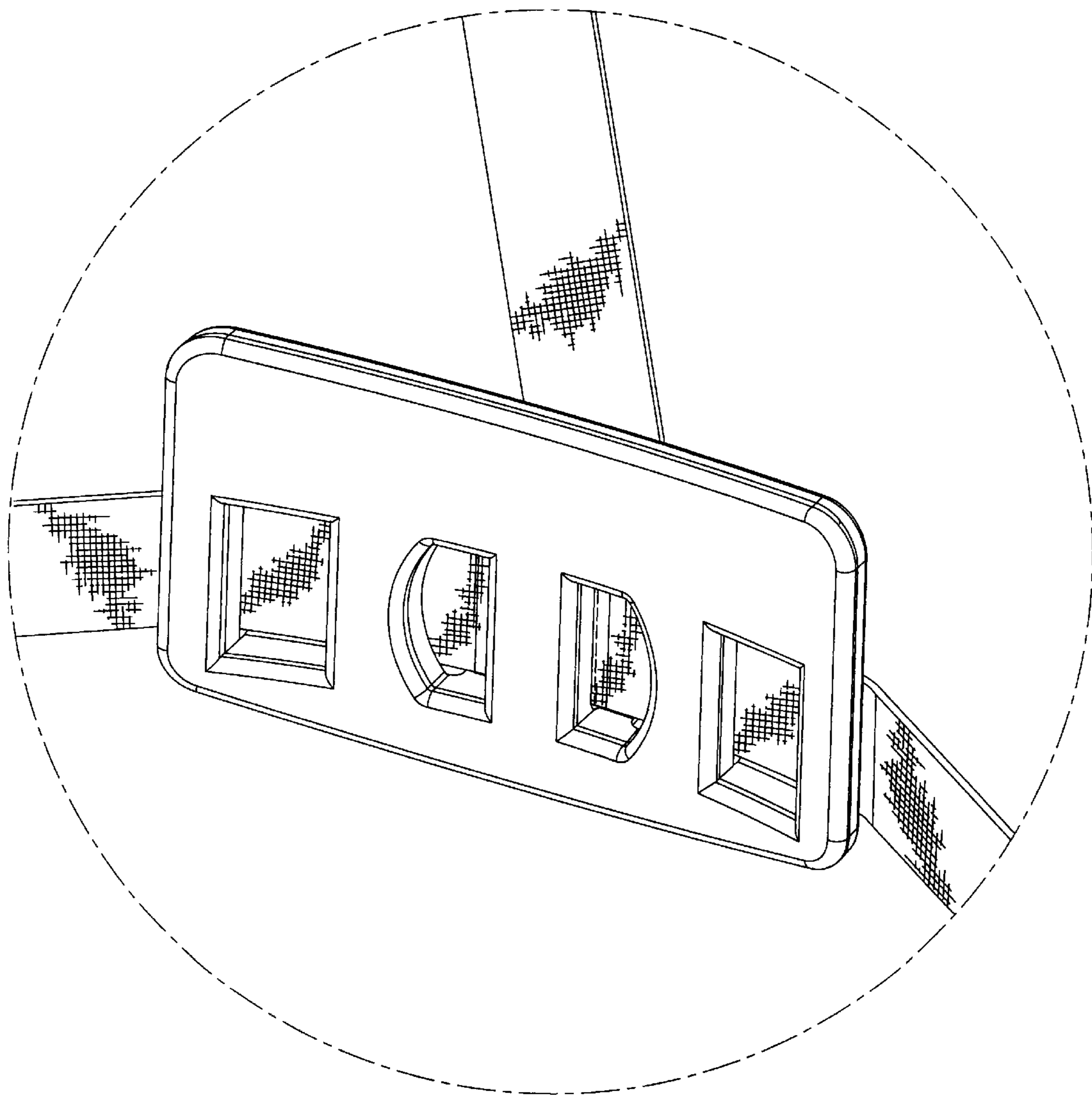


FIG. 8