

US00D542535S

(12) **United States Design Patent**
Leung

(10) **Patent No.:** **US D542,535 S**

(45) **Date of Patent:** **** May 15, 2007**

(54) **STORAGE CADDY**

(75) Inventor: **Chi Wah Leung**, Hong Kong (CN)

(73) Assignee: **Conair Corporation**, Stamford, CT (US)

(**) Term: **14 Years**

(21) Appl. No.: **29/239,796**

(22) Filed: **Oct. 4, 2005**

(51) **LOC (8) Cl.** **03-01**

(52) **U.S. Cl.** **D3/315**

(58) **Field of Classification Search** D3/315,
D3/316; D6/572; D7/372, 378, 379, 384,
D7/412, 637, 693; 241/37.5, 92, 101.2, 282.1,
241/282.3, 285.1

See application file for complete search history.

(56) **References Cited**

U.S. PATENT DOCUMENTS

- D254,161 S * 2/1980 Verdun D7/384
- D316,799 S * 5/1991 Barrault D7/412
- 6,082,648 A * 7/2000 Marriere et al. 241/282.1
- 6,766,731 B1 * 7/2004 Lavi et al. 241/92

6,971,597 B2 * 12/2005 Starr 241/92
2003/0071152 A1 * 4/2003 Astegno et al. 241/101.2

* cited by examiner

Primary Examiner—Louis S. Zarfes

Assistant Examiner—Monica A. Weingart

(74) *Attorney, Agent, or Firm*—Lawrence Cruz; Steven A. Garner

(57) **CLAIM**

The ornamental design for a storage caddy, as shown and described.

DESCRIPTION

FIG. 1 is a perspective view of a storage caddy showing my new design;

FIG. 2 is a front view thereof;

FIG. 3 is a rear view thereof;

FIG. 4 is a left side view thereof;

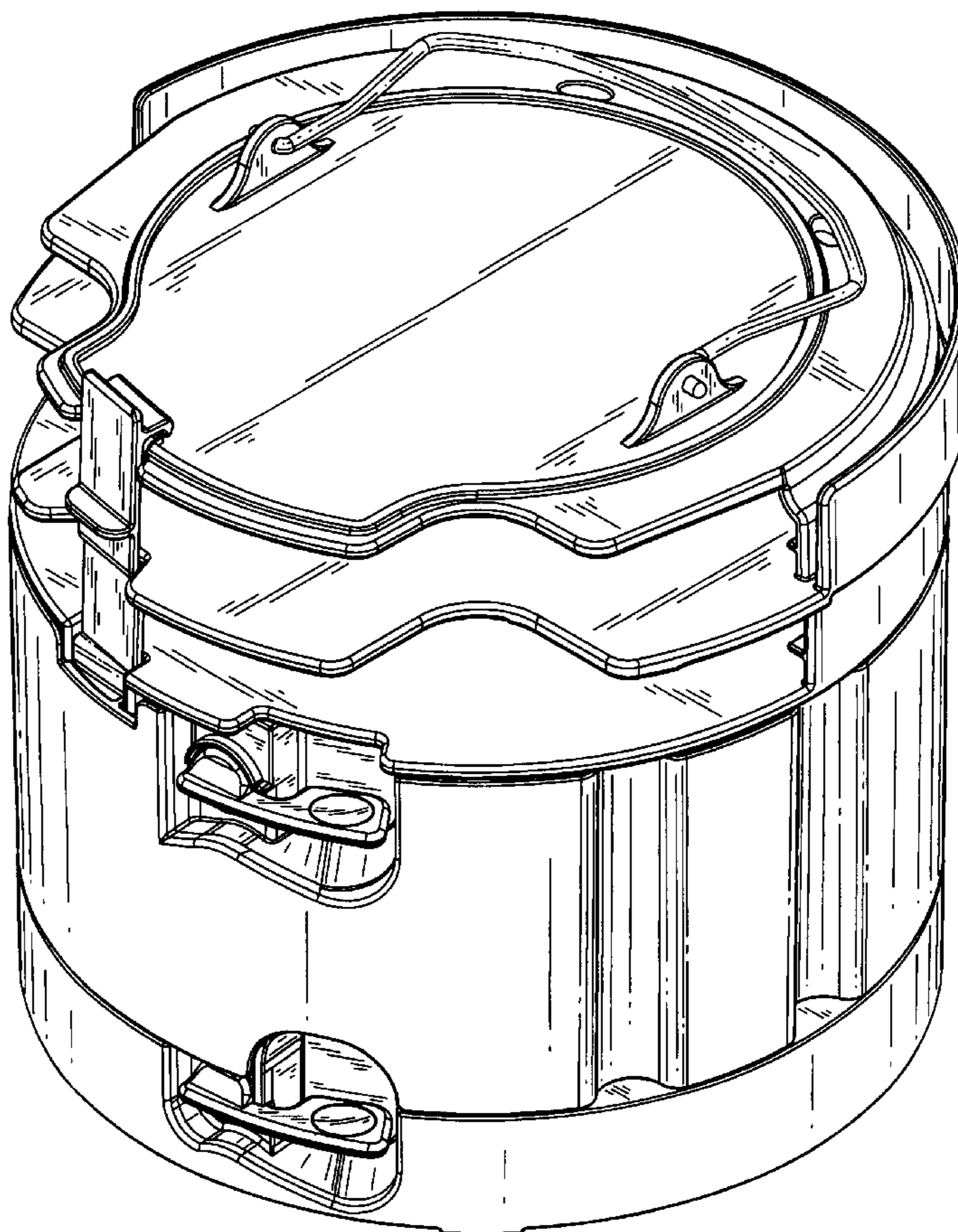
FIG. 5 is a right side view thereof;

FIG. 6 is a top view thereof; and,

FIG. 7 is a bottom view.

The broken lines are shown for illustrative purposes only and form no part of the claimed design.

1 Claim, 4 Drawing Sheets



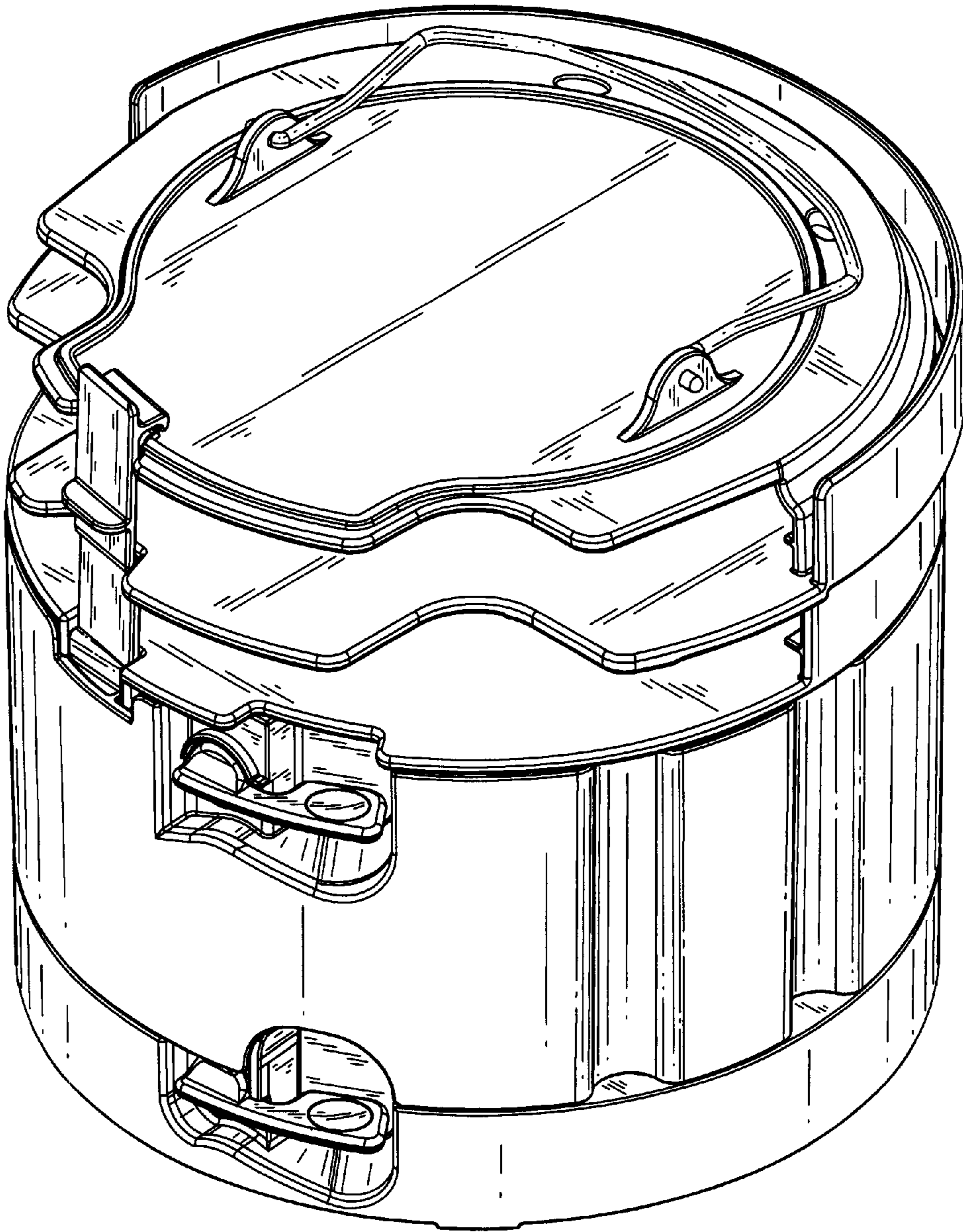


FIG. 1

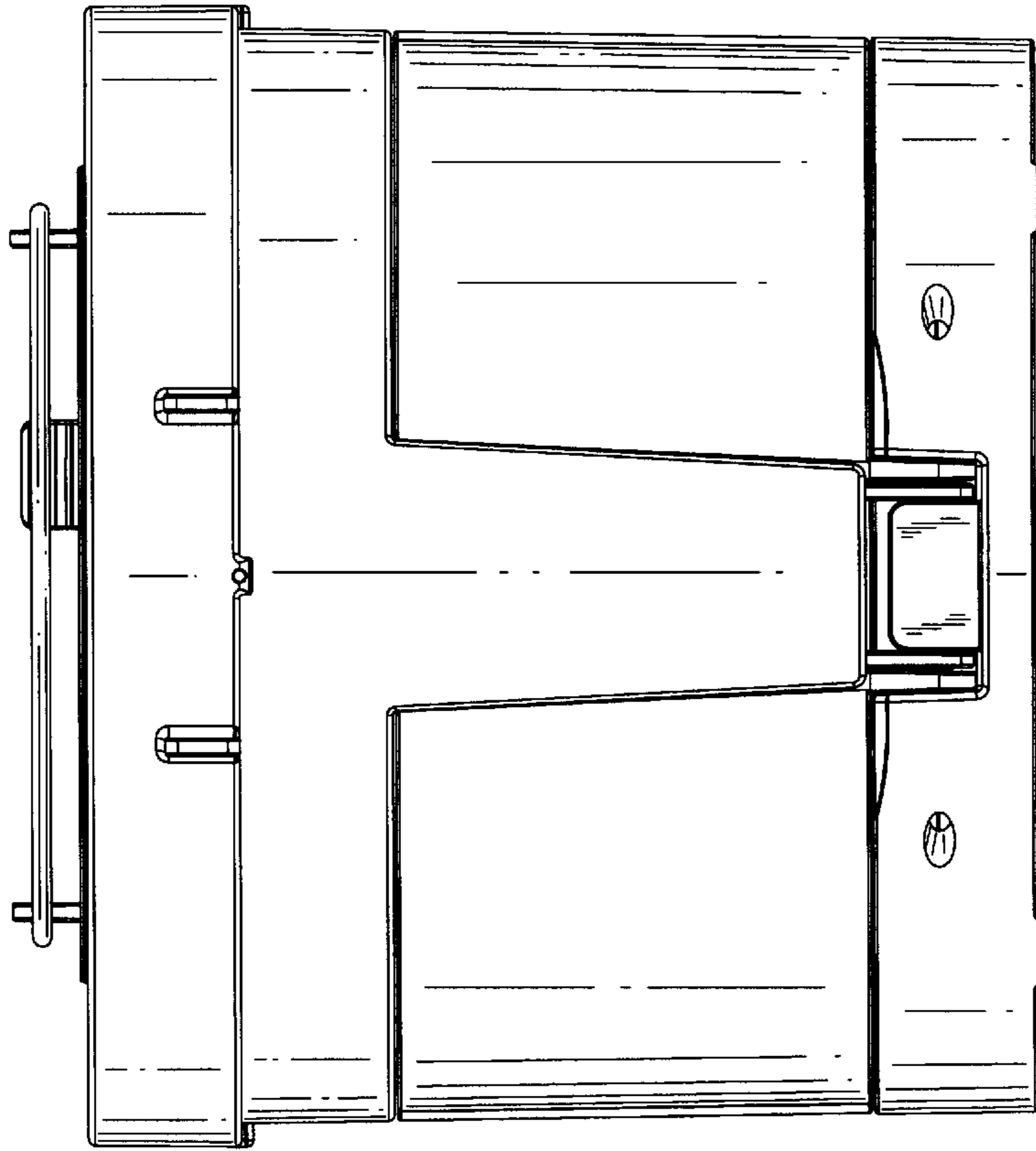


FIG. 3

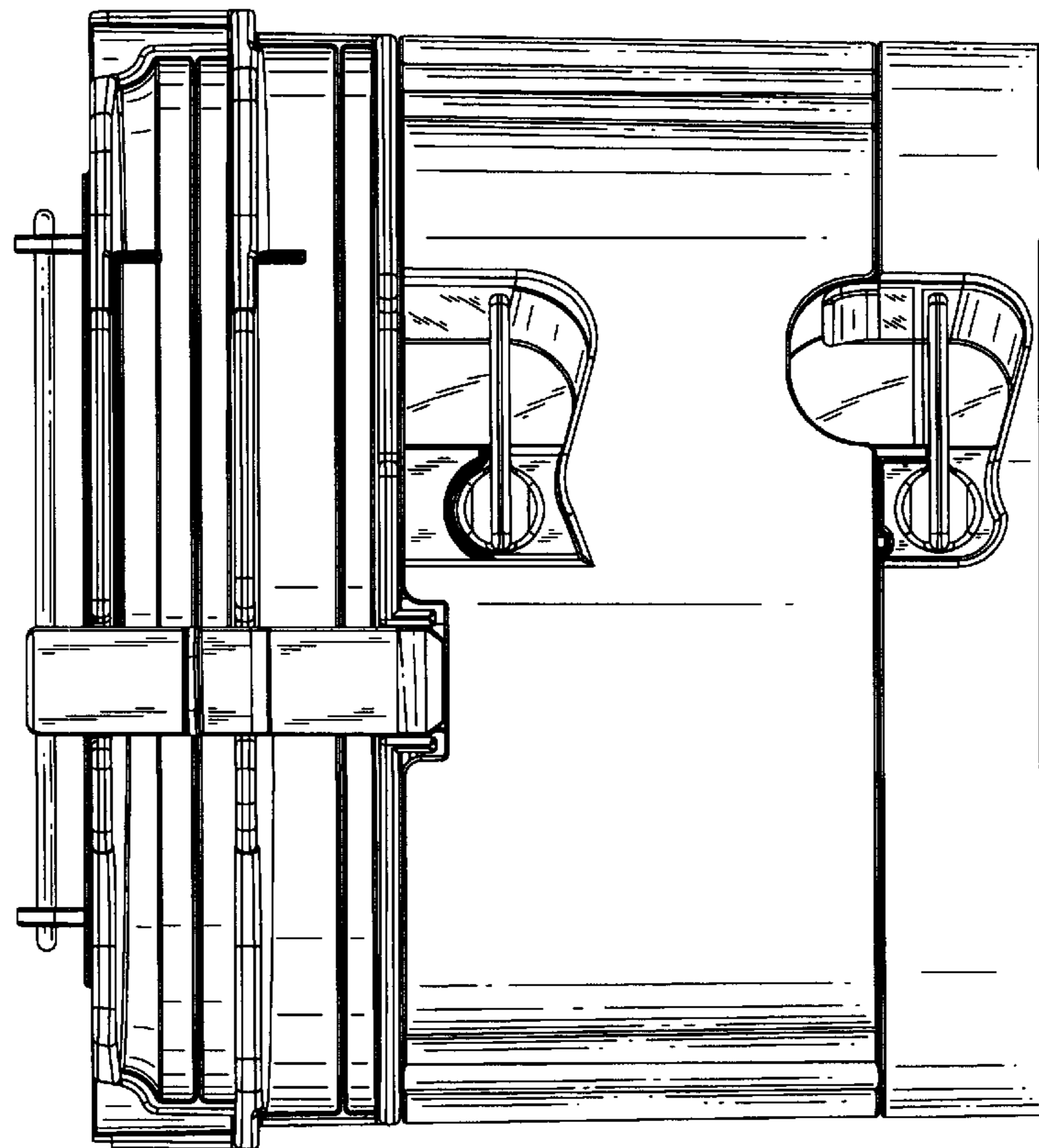


FIG. 2

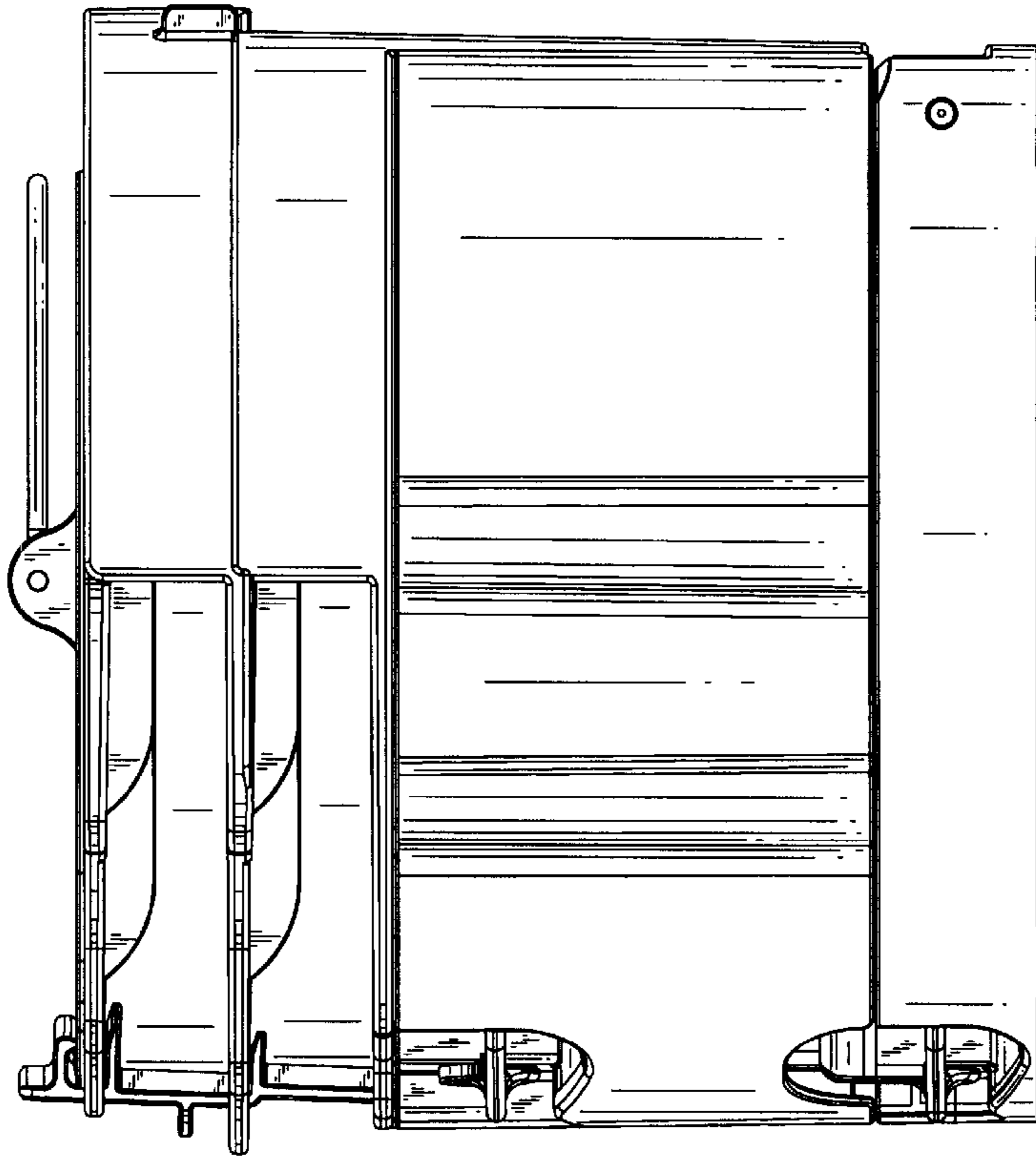


FIG. 5

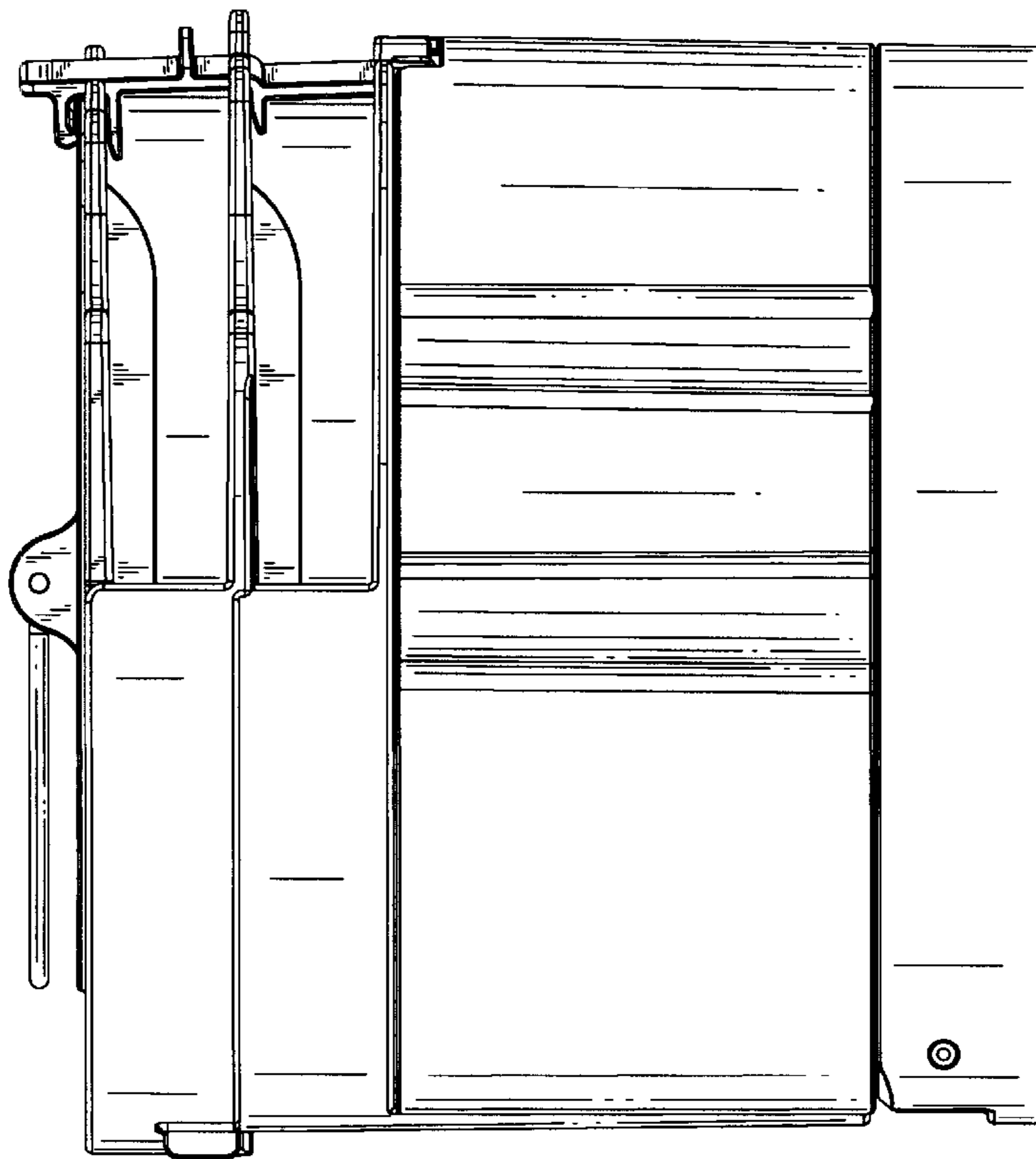


FIG. 4

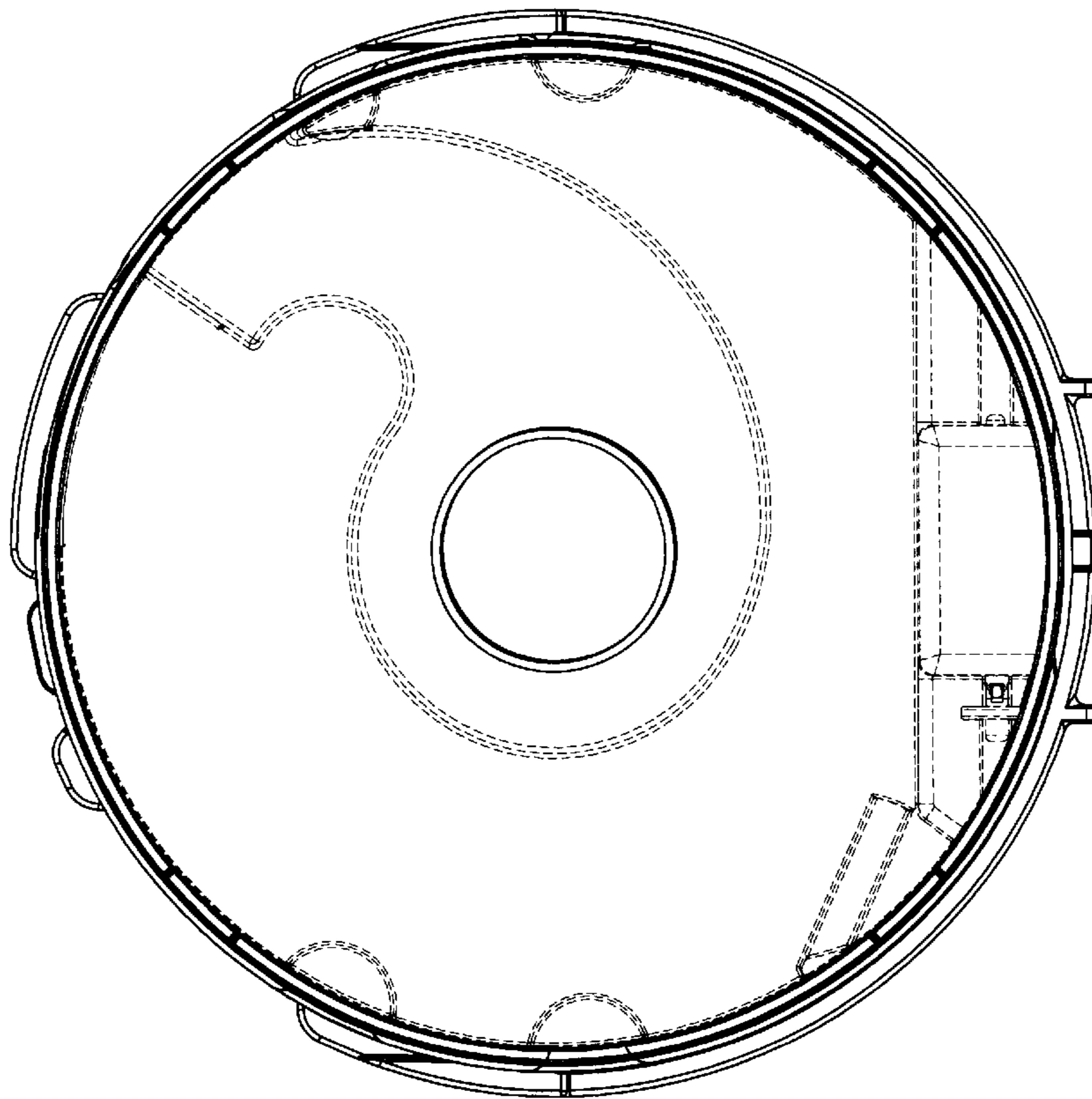


FIG. 7

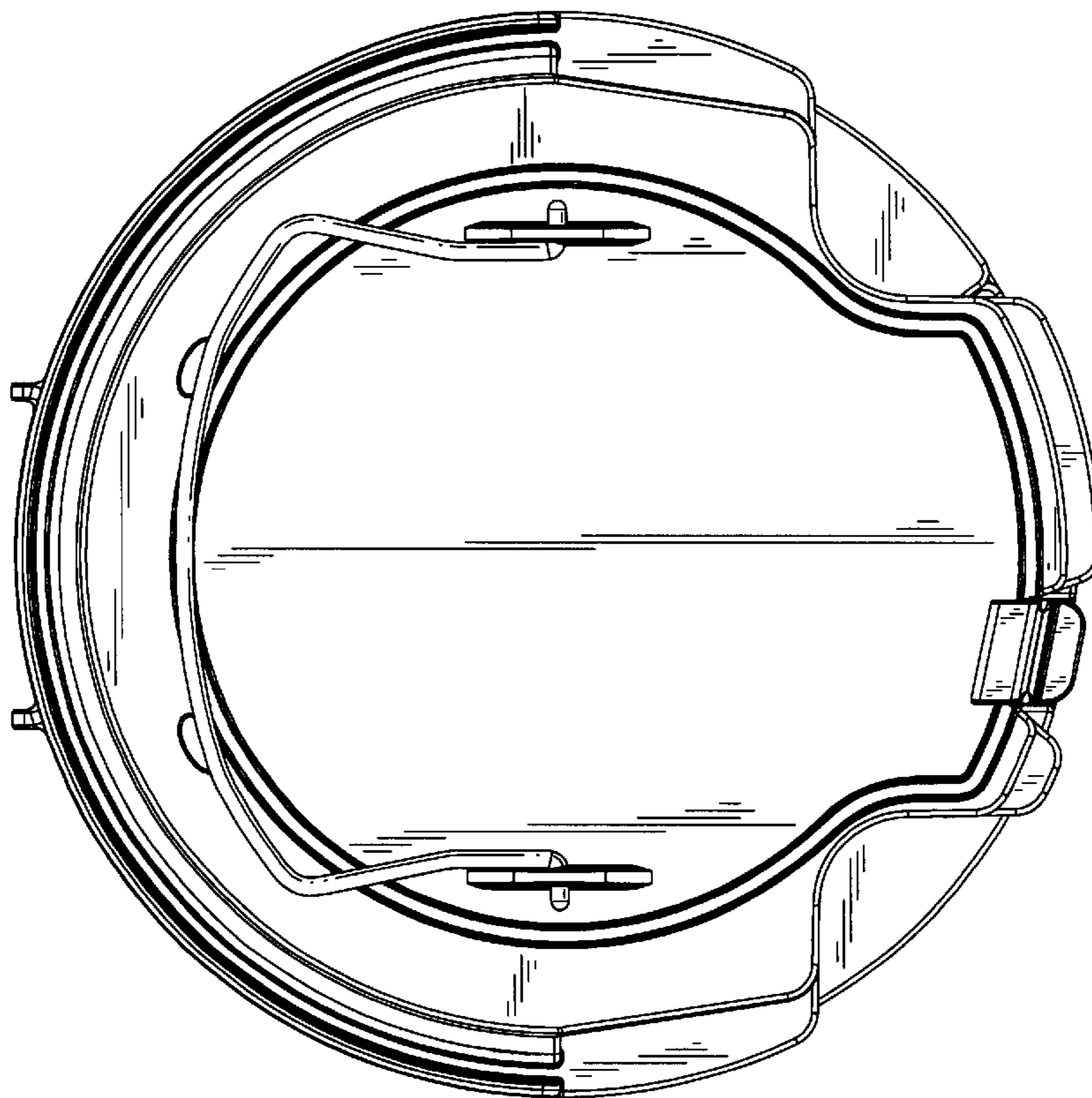


FIG. 6