

US00D542534S

(12) **United States Design Patent**  
**Yoshida et al.**

(10) **Patent No.:** **US D542,534 S**  
(45) **Date of Patent:** **\*\* May 15, 2007**

(54) **FRAME FOR CARRYING A BACKPACK BLOWER**

FOREIGN PATENT DOCUMENTS

JP D913856 11/1994

(75) Inventors: **Kazuhiro Yoshida**, Togane (JP); **Shinji Ohwaku**, Togane (JP); **Junichi Miyamoto**, Togane (JP)

\* cited by examiner

*Primary Examiner*—Louis S. Zarfes

*Assistant Examiner*—Kathleen Sims

(73) Assignee: **Maruyama Mfg. Co., Inc.**, Tokyo (JP)

(74) *Attorney, Agent, or Firm*—Leydig, Voit & Mayer, Ltd.

(\*\*) Term: **14 Years**

(57) **CLAIM**

(21) Appl. No.: **29/236,157**

The ornamental design for a frame for carrying a backpack blower, as shown and described.

(22) Filed: **Aug. 12, 2005**

**DESCRIPTION**

(30) **Foreign Application Priority Data**

Feb. 15, 2005 (JP) ..... D2005-003908

(51) **LOC (8) Cl.** ..... **03-01**

(52) **U.S. Cl.** ..... **D3/315**

(58) **Field of Classification Search** ..... D3/215,  
D3/273, 315, 319, 905; D32/15, 16; 206/162,  
206/340, 372–373

See application file for complete search history.

FIG. 1 is a front view of a frame for carrying a backpack blower of the present invention.

FIG. 2 is a rear view of the frame for carrying a backpack blower of FIG. 1.

FIG. 3 is a top plan view of the frame for carrying a backpack blower of FIG. 1.

FIG. 4 is a bottom view of the frame for carrying a backpack blower of FIG. 1.

FIG. 5 is a right side view of the frame for carrying a backpack blower of FIG. 1.

FIG. 6 is a left side view of the frame for carrying a backpack blower of FIG. 1.

FIG. 7 is a front perspective view of the frame for carrying a backpack blower of FIG. 1.

FIG. 8 is a rear perspective view of the frame for carrying a backpack blower of FIG. 1; and ,

FIG. 9 is a reference view of the frame for carrying a backpack blower of FIG. 1 in use.

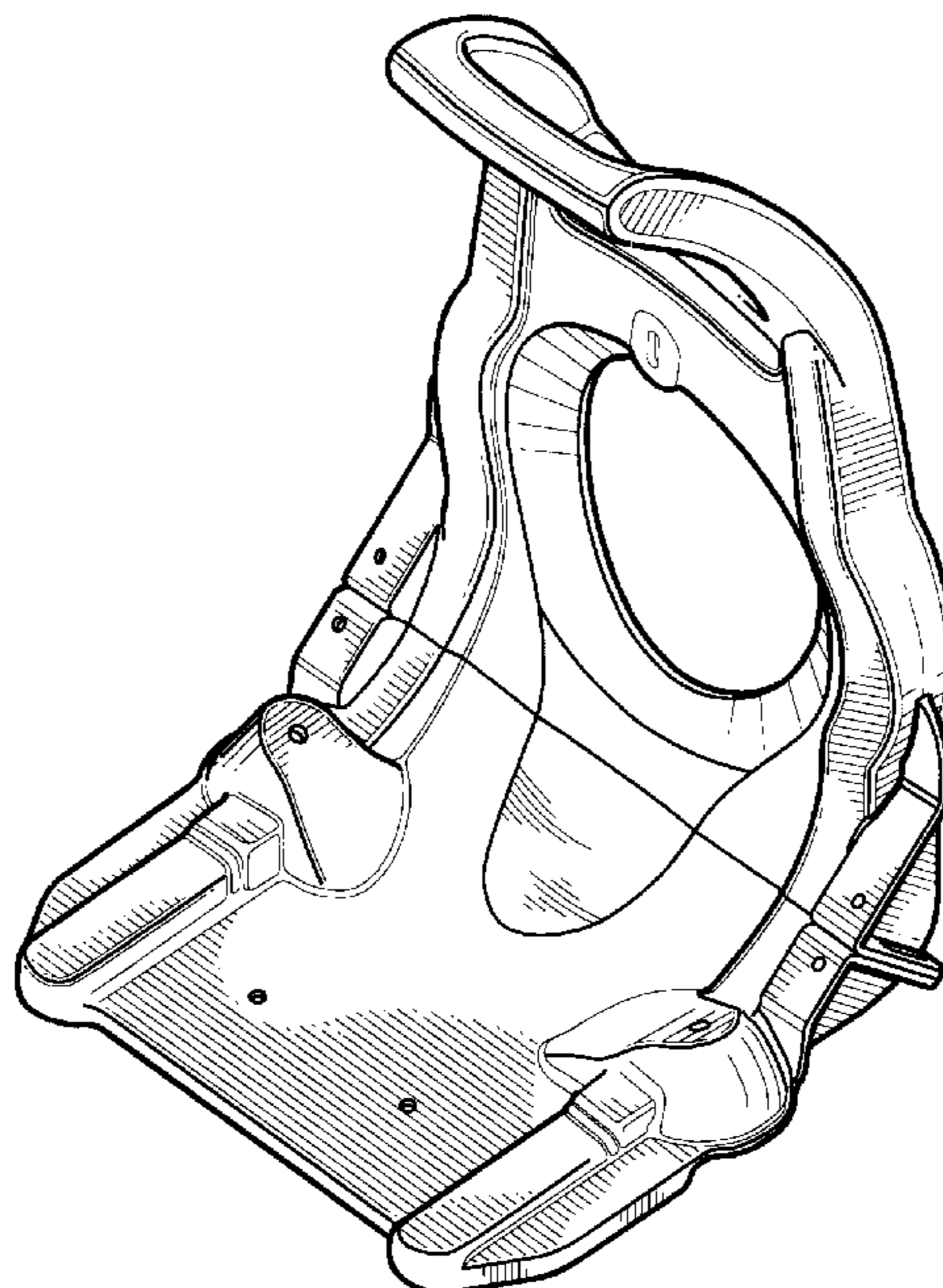
The broken line showing of the environment is for illustrative purpose only and forms no part of the claimed design.

(56) **References Cited**

U.S. PATENT DOCUMENTS

D234,744 S	*	4/1975	McCue	.....	D8/71
5,176,303 A	*	1/1993	Franke	.....	224/261
D351,323 S	*	10/1994	Rich	.....	D8/14
D351,769 S	*	10/1994	Brass et al.	.....	D3/315
D357,562 S	*	4/1995	Chumley et al.	.....	D32/31
D363,163 S	*	10/1995	Funatsu et al.	.....	D3/315
D388,246 S	*	12/1997	Patterson	.....	D3/204
D427,765 S	*	7/2000	Porter	.....	D3/215
6,213,529 B1	*	4/2001	Kurcz et al.	.....	294/143
D526,486 S	*	8/2006	Herring	.....	D3/315

**1 Claim, 9 Drawing Sheets**



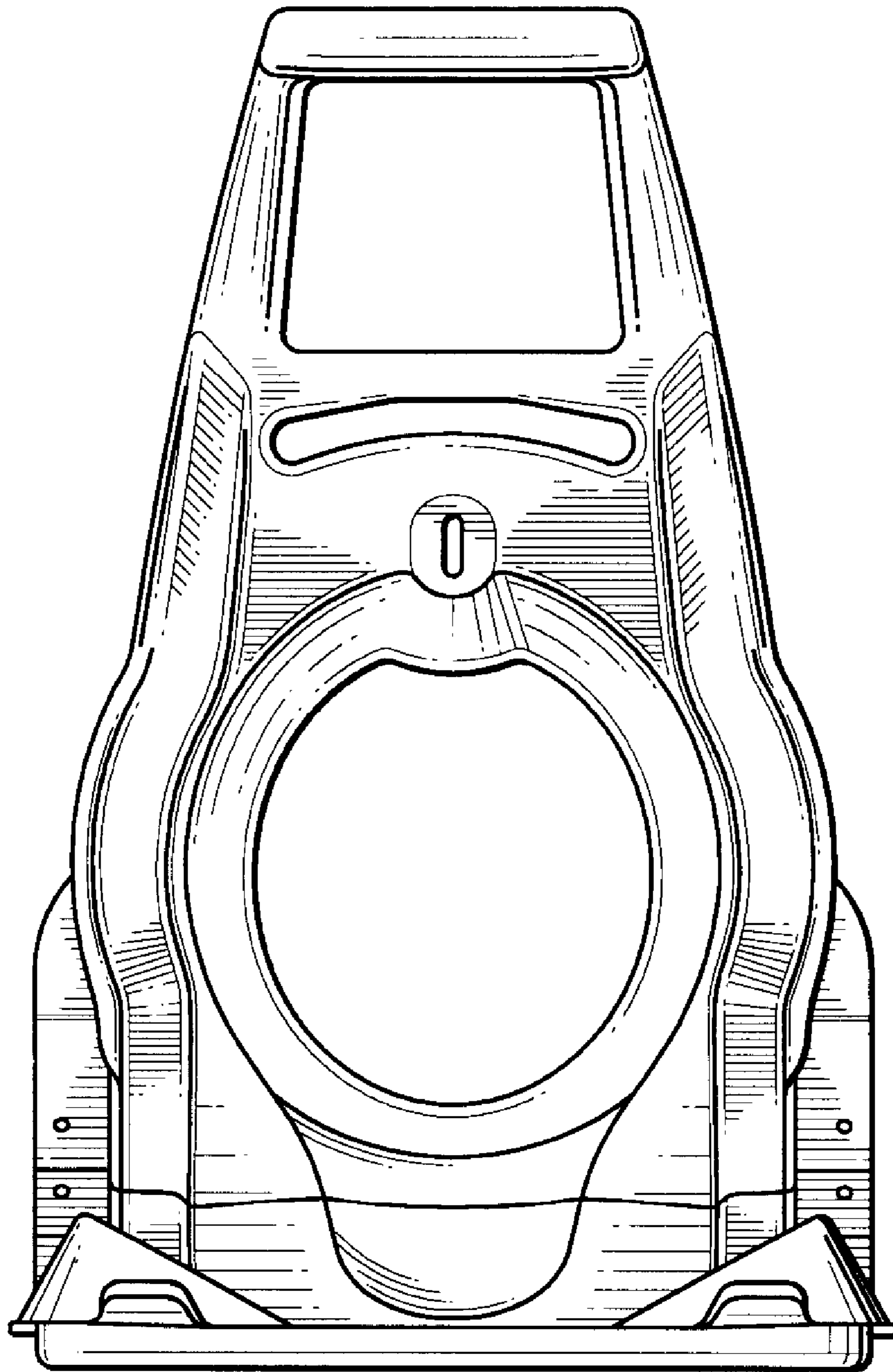


FIG. 1

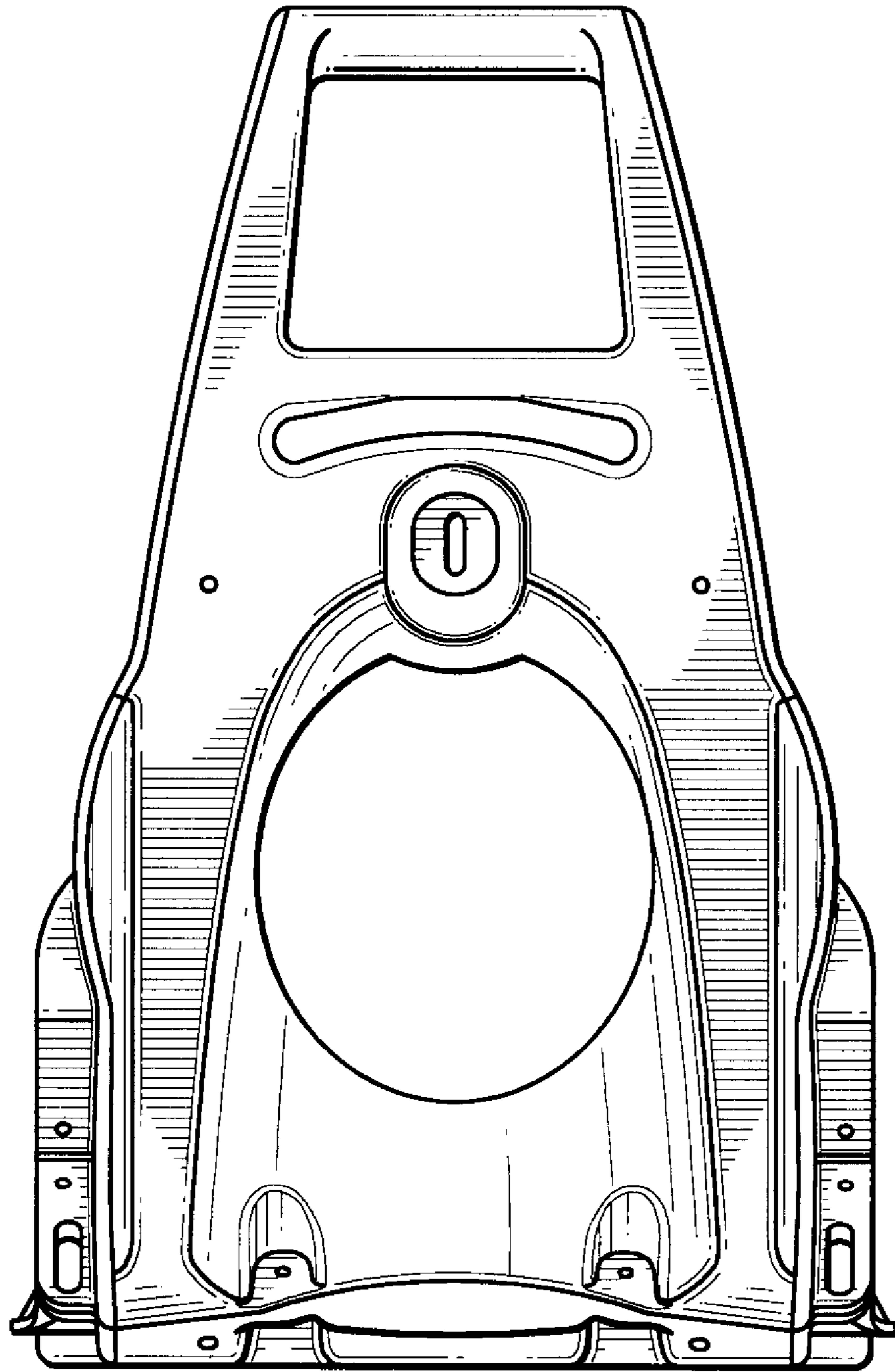


FIG. 2

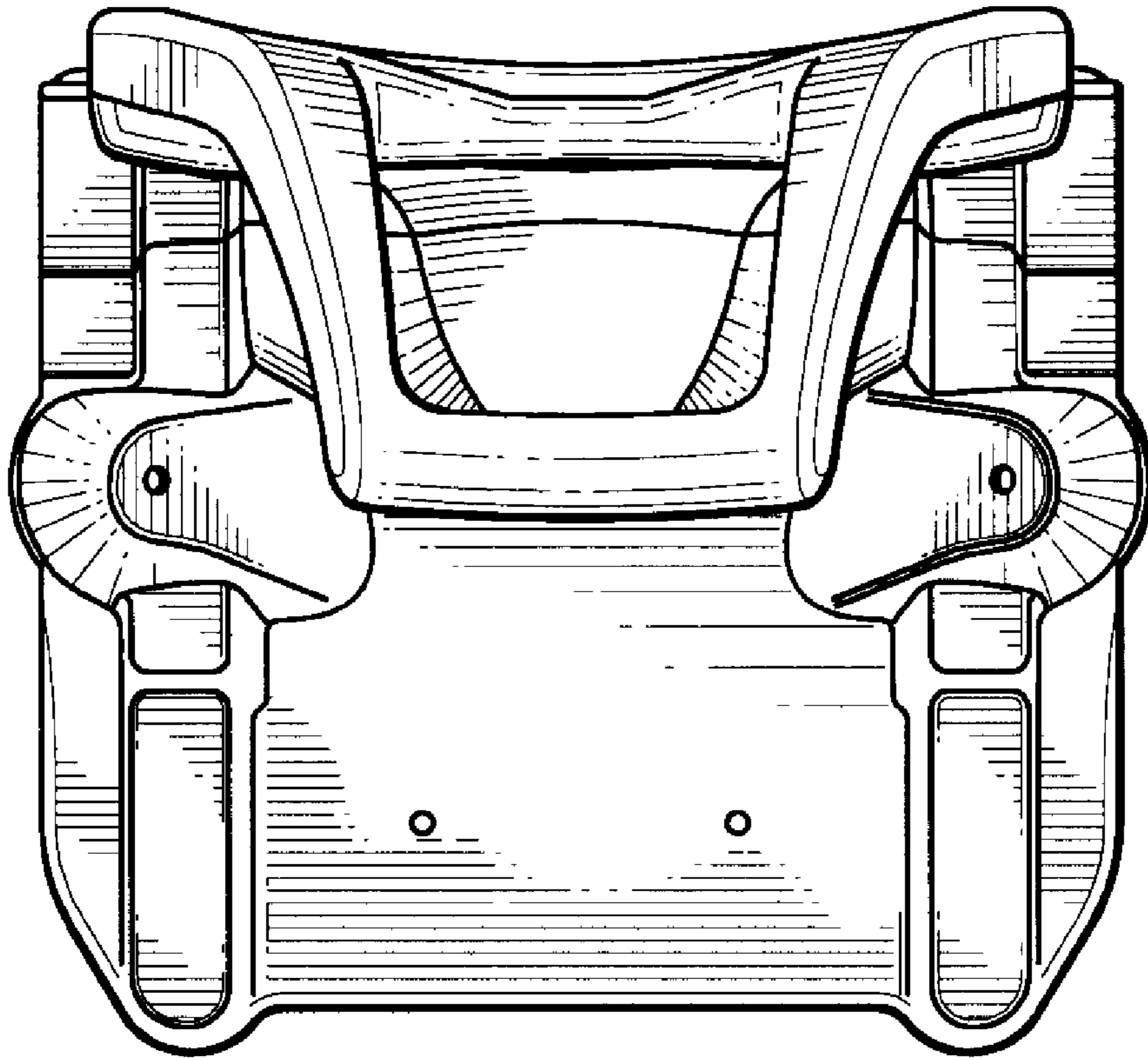


FIG. 3

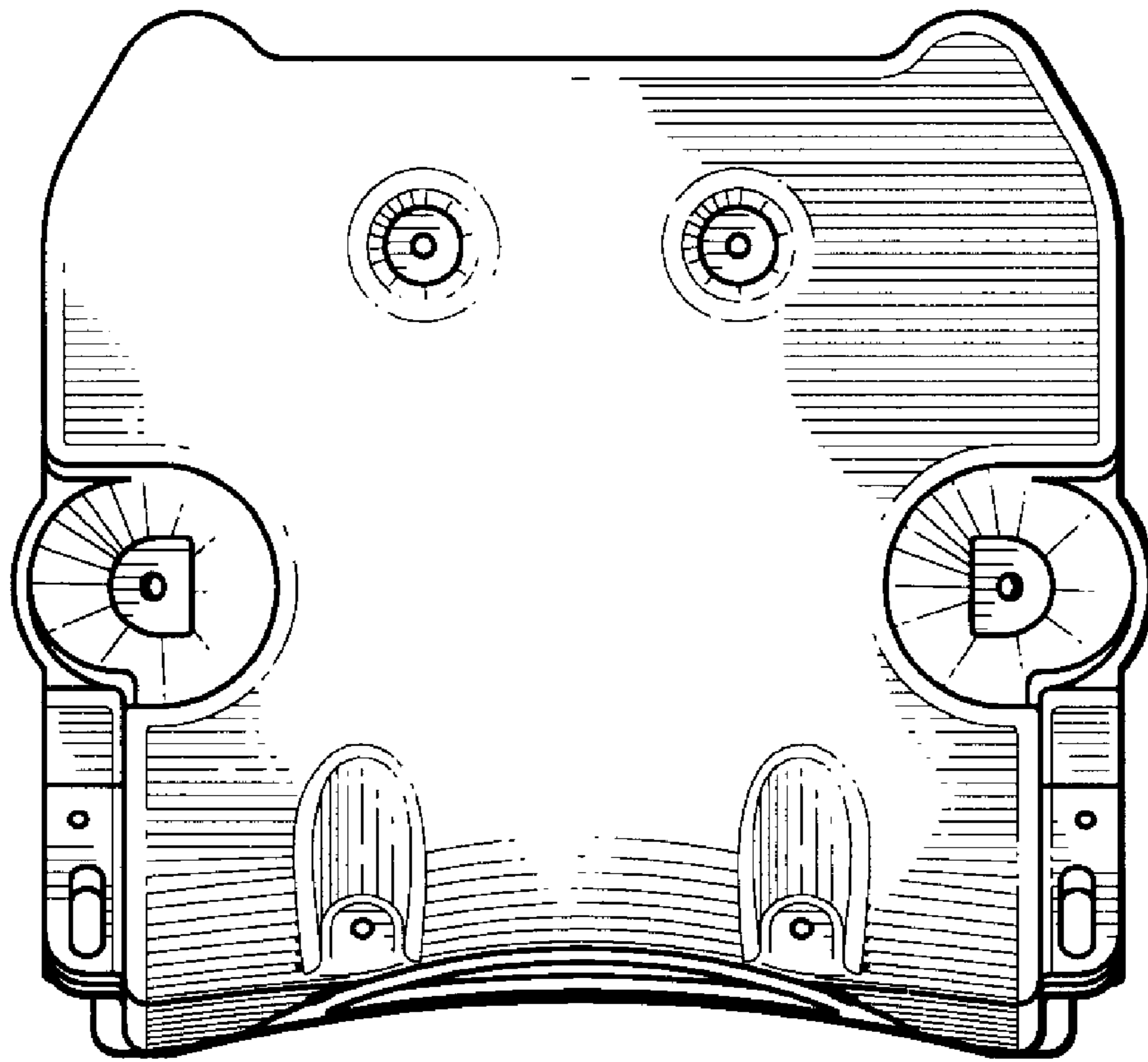


FIG. 4

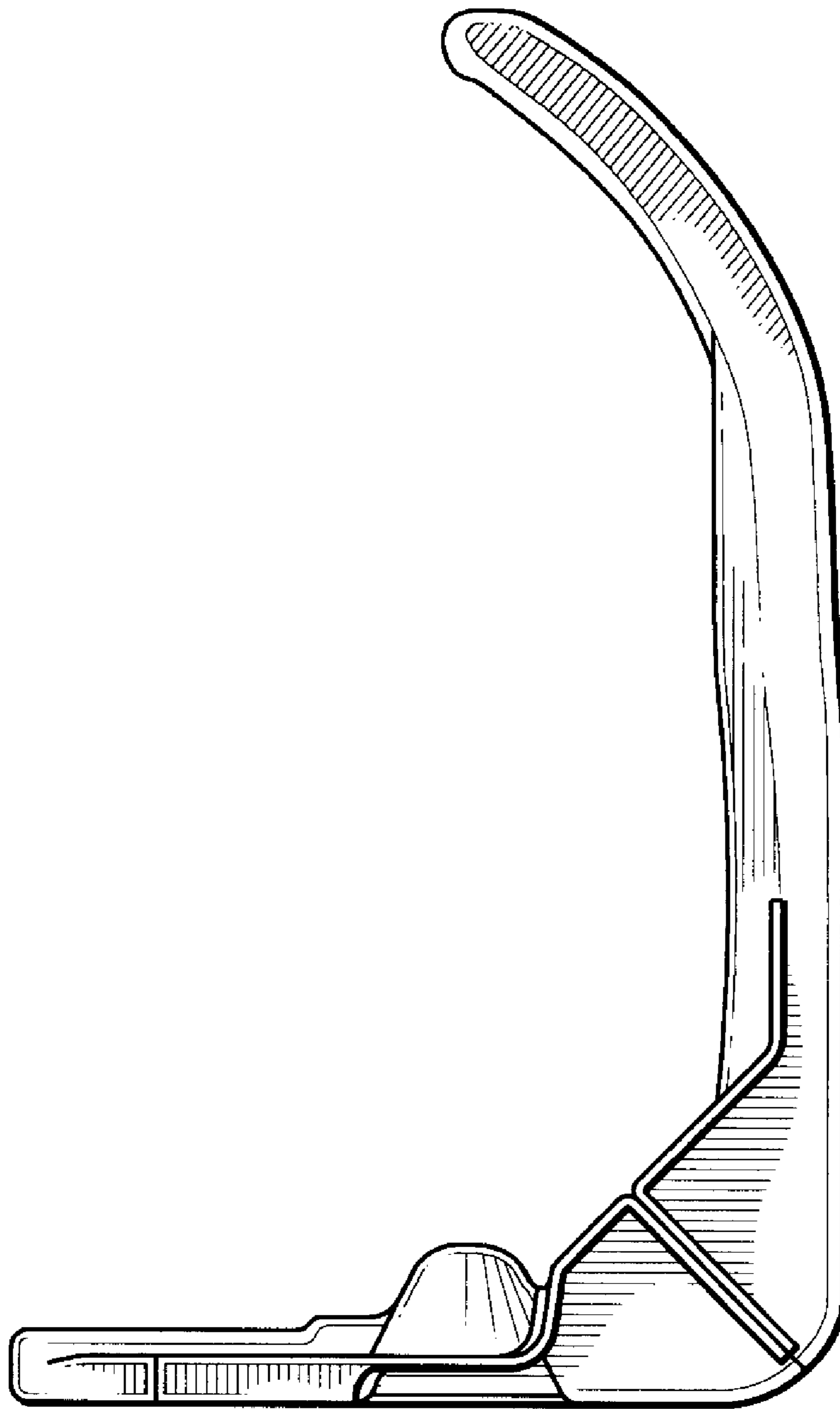


FIG. 5

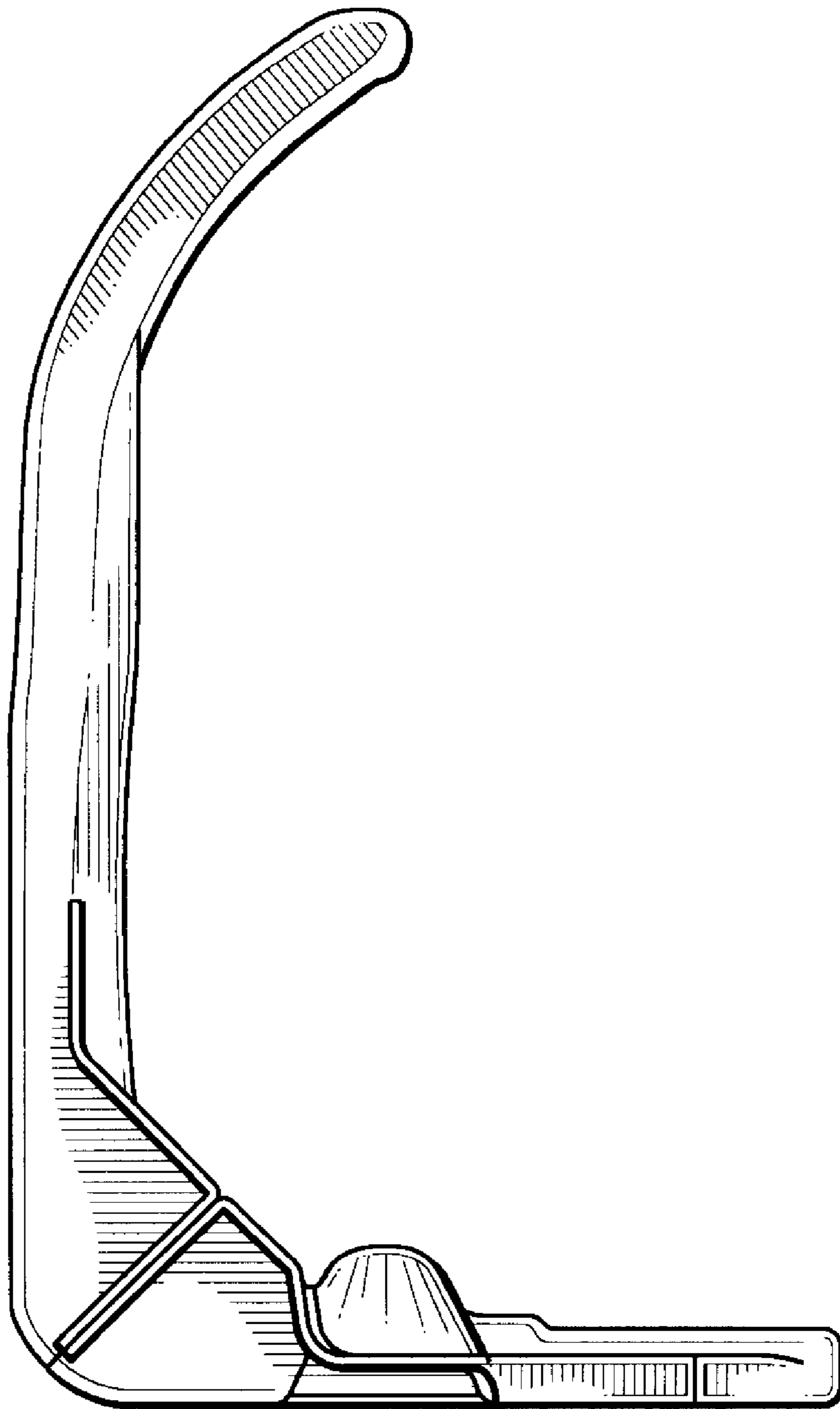


FIG. 6

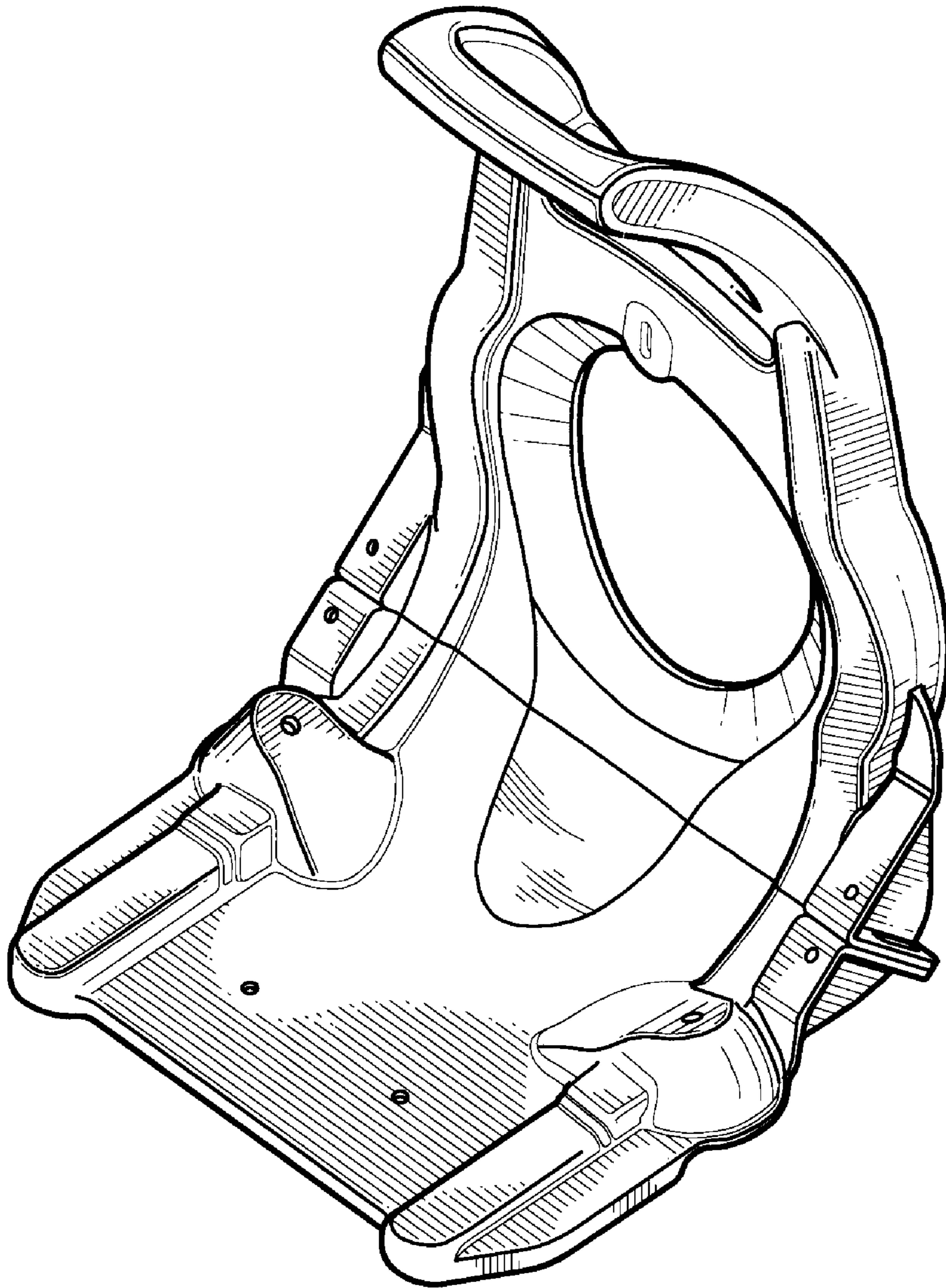


FIG. 7



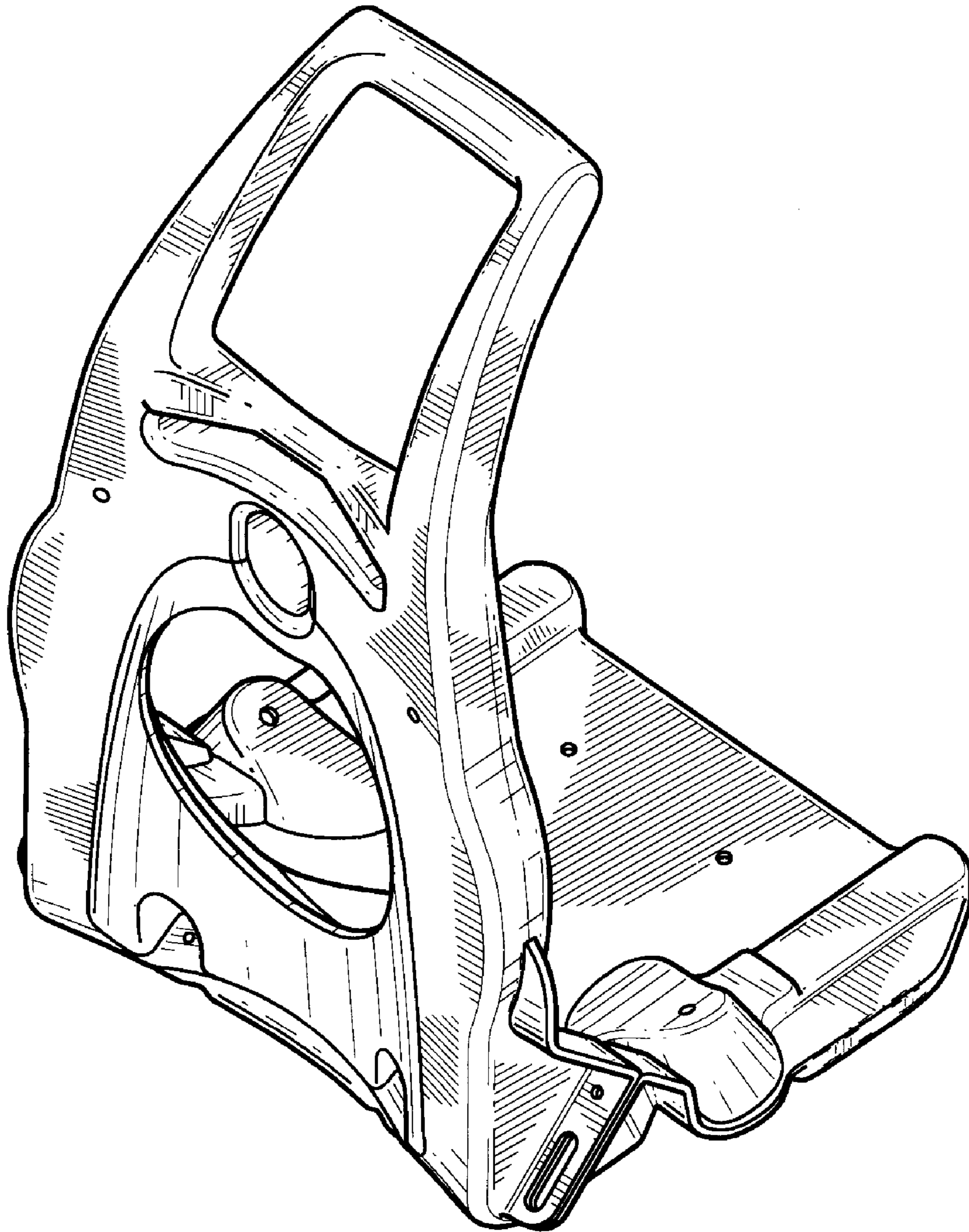


FIG. 8

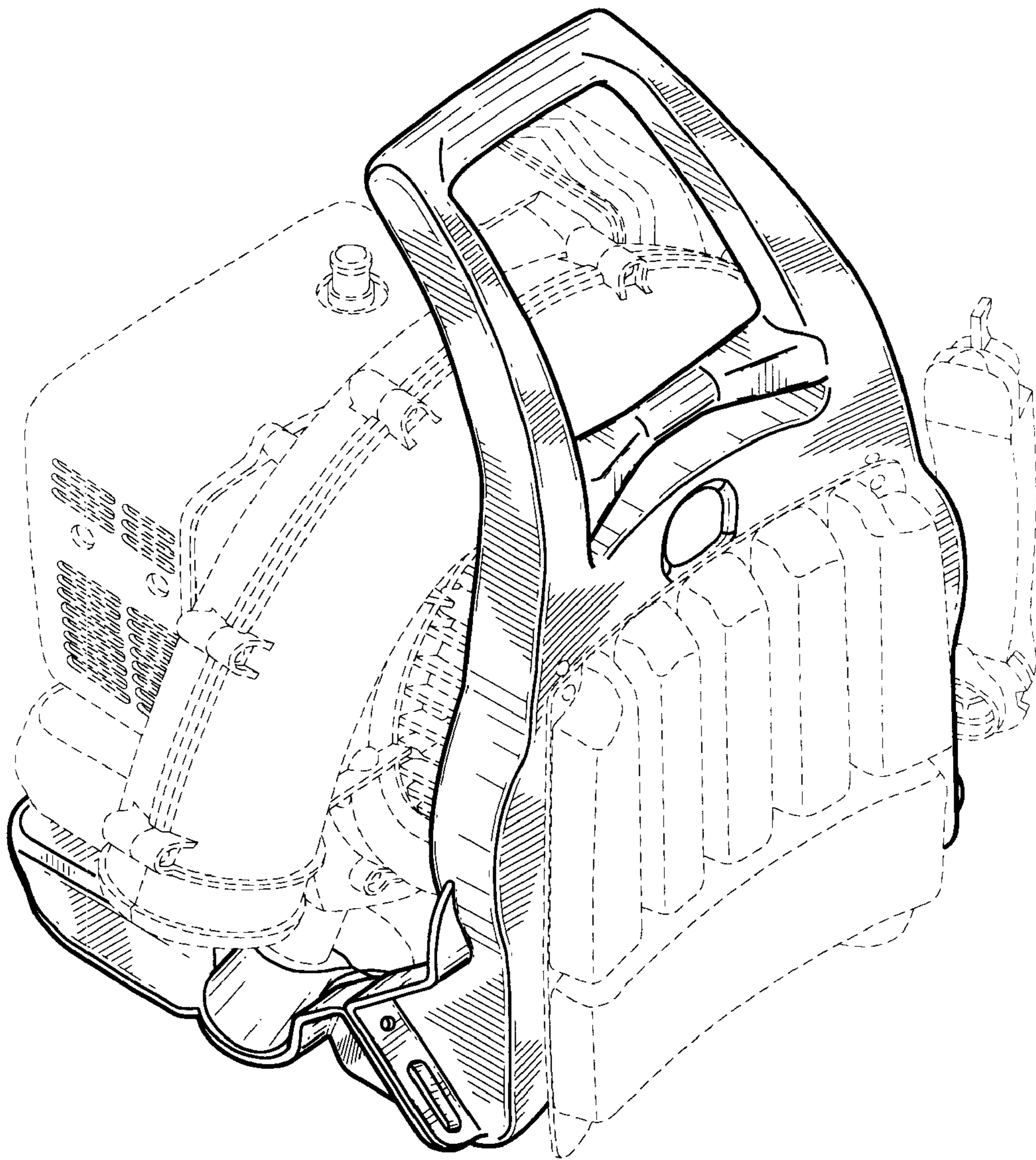


FIG. 9