

US00D542533S

(12) **United States Design Patent**  
**Yang**

(10) **Patent No.:** **US D542,533 S**

(45) **Date of Patent:** **\*\* May 15, 2007**

(54) **SILK FLORAL ARRANGEMENT TOOL ORGANIZER**

(75) Inventor: **Rong Teai Yang**, Lexington, NC (US)

(73) Assignee: **Golden State Silk Flowers, Inc.**,  
Charlotte, NC (US)

(\*\*) Term: **14 Years**

(21) Appl. No.: **29/223,003**

(22) Filed: **Feb. 7, 2005**

(51) **LOC (8) Cl.** ..... **03-01**

(52) **U.S. Cl.** ..... **D3/313**

(58) **Field of Classification Search** ..... D3/301-315,  
D3/276, 203, 294, 279; D11/156, 147; D24/226-227;  
D9/425, 700, 432-435, 420, 456, 760, 414;  
D12/133; 206/528; D6/436, 469, 407, 396,  
D6/475-476, 525; D19/75-78; D30/107;  
220/4.33; D34/19; D32/46; 226/643; D8/330;  
D7/620, 706, 409, 542; 229/162.1, 100, 122  
See application file for complete search history.

(56) **References Cited**

**U.S. PATENT DOCUMENTS**

1,602,957 A \* 10/1926 Weigel ..... 132/314  
D151,343 S \* 10/1948 Greger ..... D19/75  
D152,655 S \* 2/1949 Rossell ..... D11/147  
D177,788 S \* 5/1956 Abadessa, Jr. .... D6/469  
D296,448 S \* 6/1988 Evenson ..... D19/77  
D317,461 S \* 6/1991 Willie ..... D19/75  
D332,631 S \* 1/1993 Klodt ..... D19/78

D333,841 S \* 3/1993 Henricksen ..... D19/78  
D346,763 S \* 5/1994 Smith ..... D11/144  
D390,727 S \* 2/1998 Ferry ..... D6/469  
D437,711 S \* 2/2001 Berg ..... D6/436  
D509,249 S \* 9/2005 Nelson et al. .... D19/75  
D525,657 S \* 7/2006 Warren, III ..... D19/77  
2006/0186015 A1 \* 8/2006 Abshire ..... 206/528

\* cited by examiner

*Primary Examiner*—Louis S. Zarfaz

*Assistant Examiner*—Eric L. Goodman

(74) *Attorney, Agent, or Firm*—Clements Walker;  
Christopher L. Bernard

(57) **CLAIM**

The ornamental design for a silk floral arrangement tool organizer, as shown and described.

**DESCRIPTION**

FIG. 1 is a perspective view of the silk floral arrangement tool organizer of the present invention, illustrating the new, original, and ornamental design;

FIG. 2 is a top plan view of the silk floral arrangement tool organizer of FIG. 1;

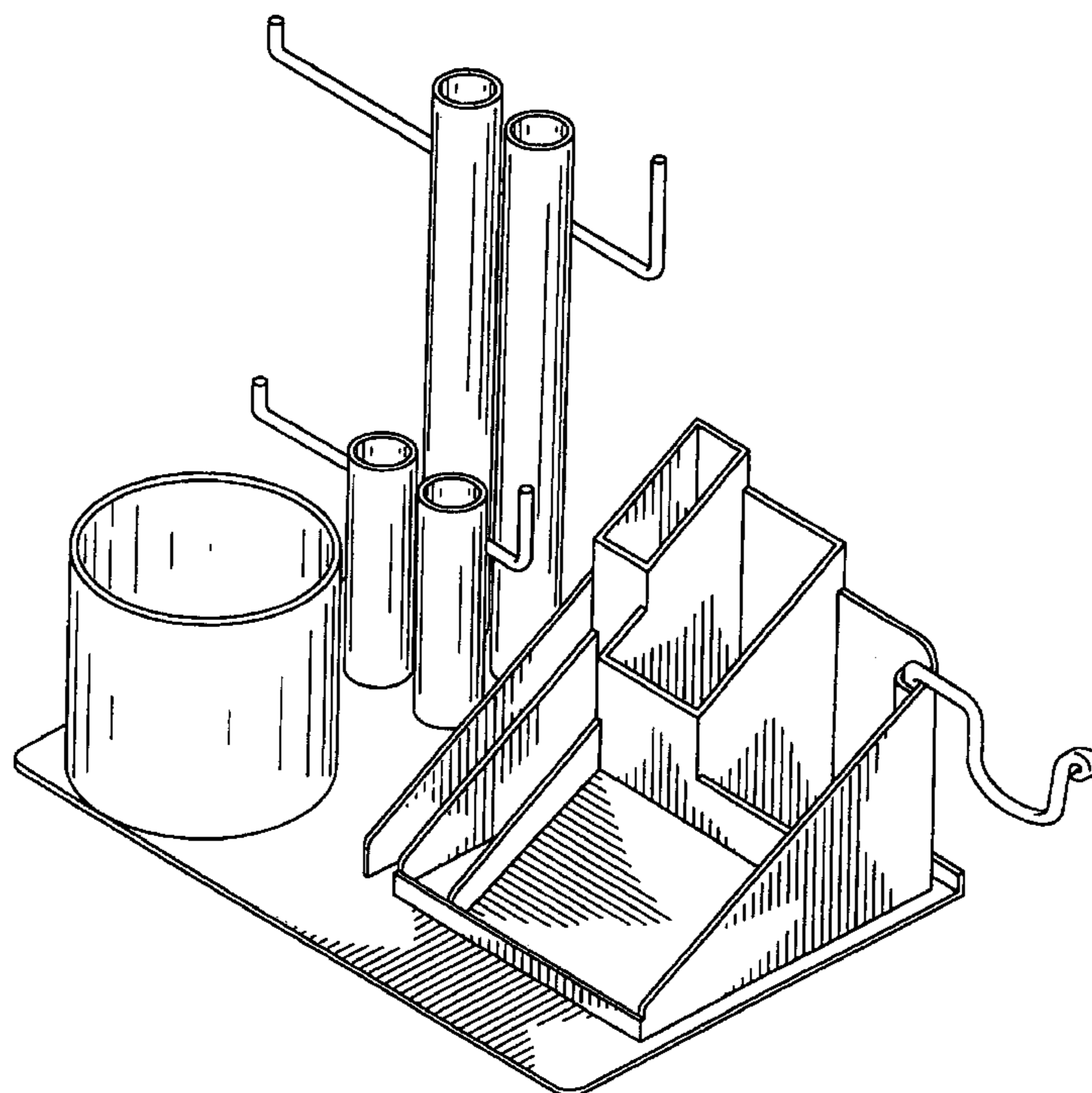
FIG. 3 is a front plan view of the silk floral arrangement tool organizer of FIGS. 1 and 2;

FIG. 4 is a bottom plan view of the silk floral arrangement tool organizer of FIGS. 1-3.

FIG. 5 is a left plan view of the silk floral arrangement tool organizer of FIGS. 1-4; and,

FIG. 6 is a right plan view of the silk floral arrangement tool organizer of FIGS. 1-5.

**1 Claim, 3 Drawing Sheets**



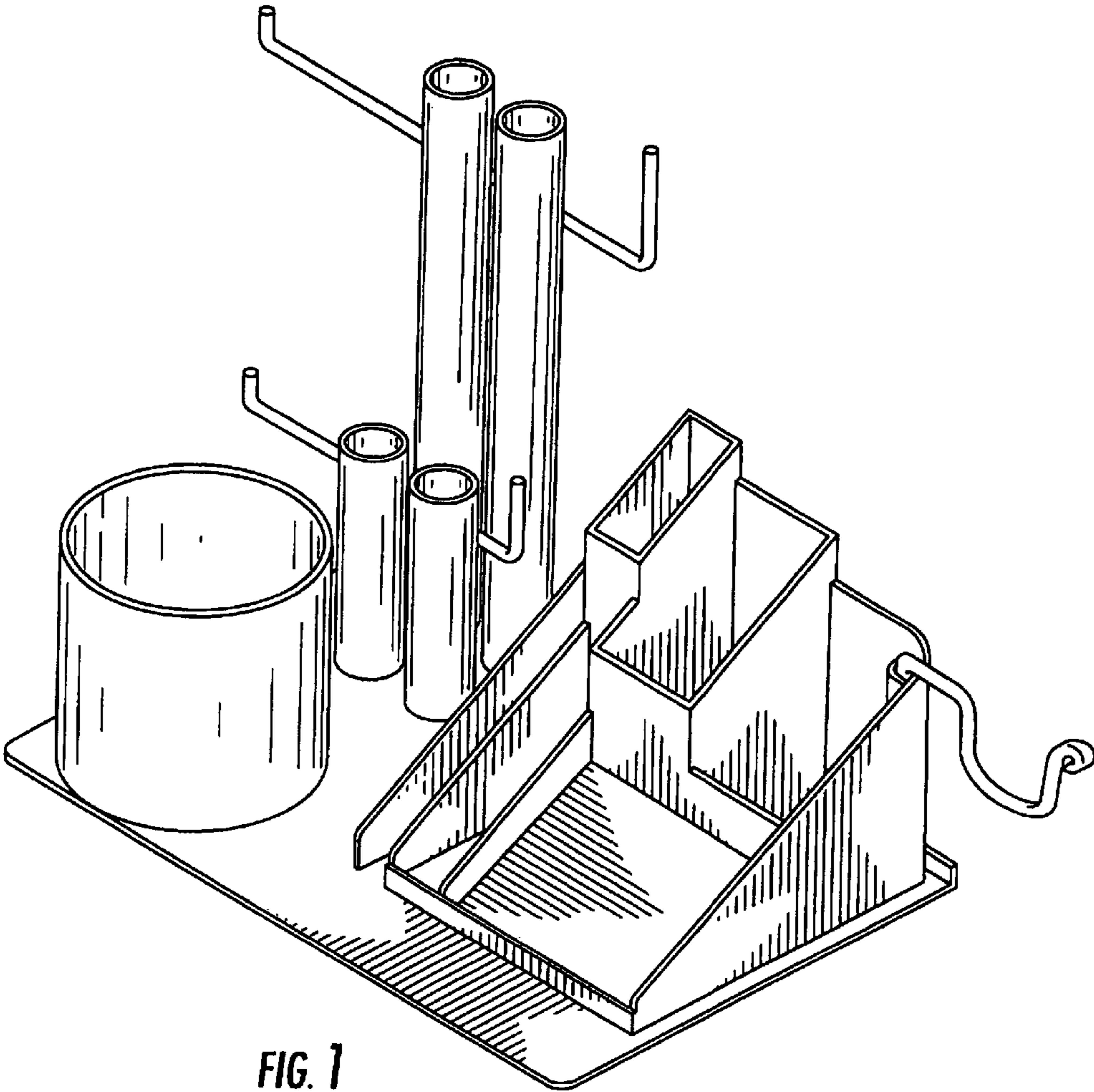


FIG. 1

FIG. 2

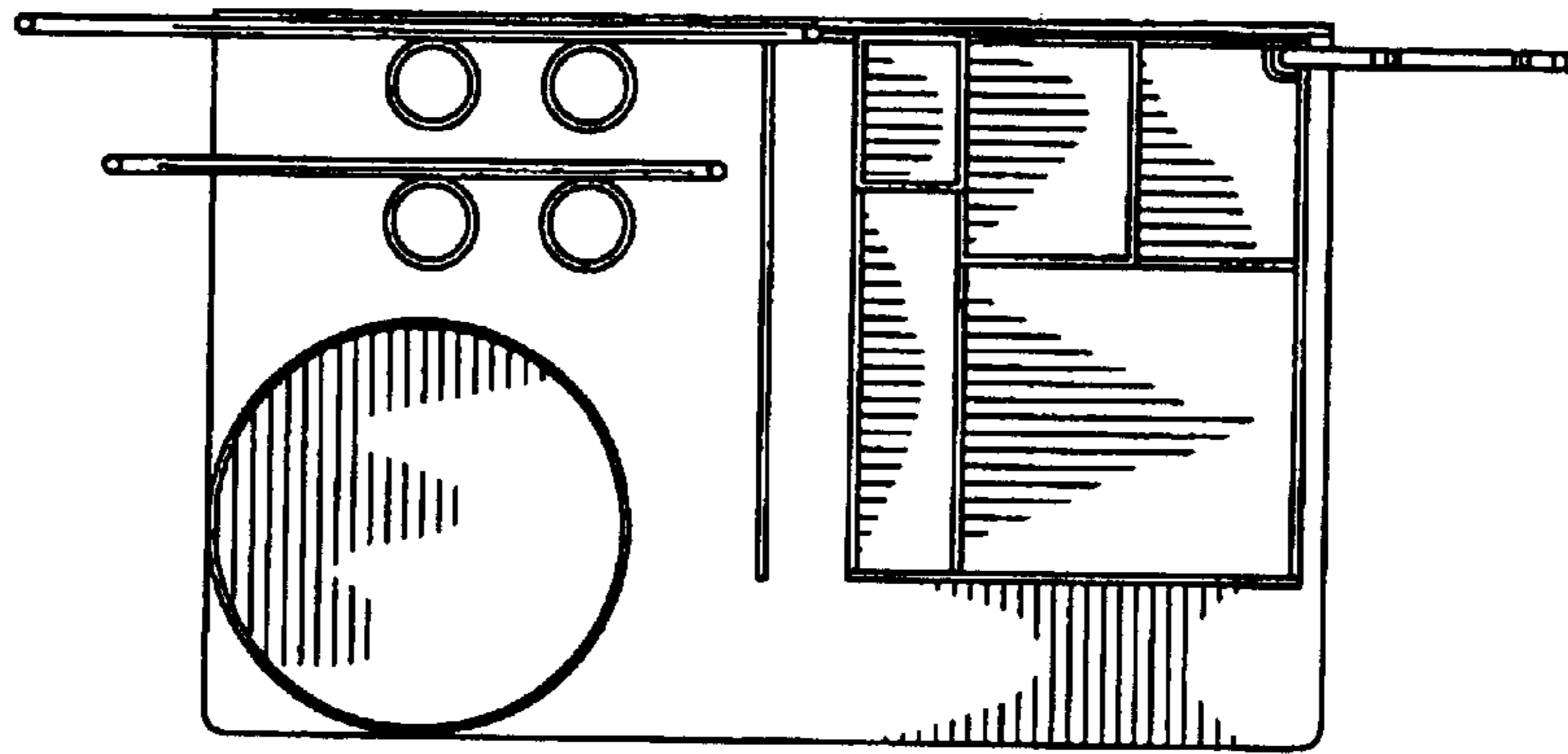


FIG. 3

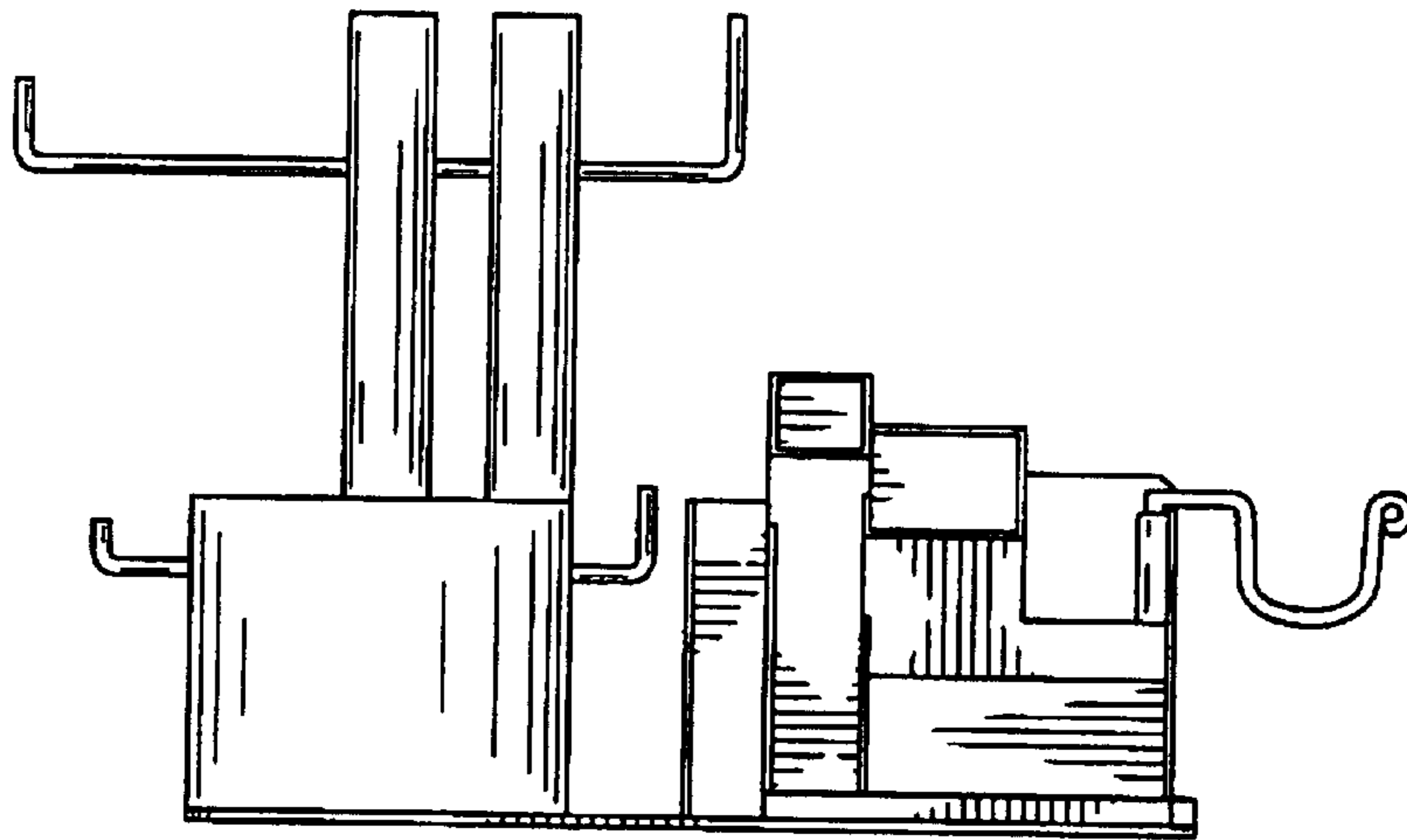
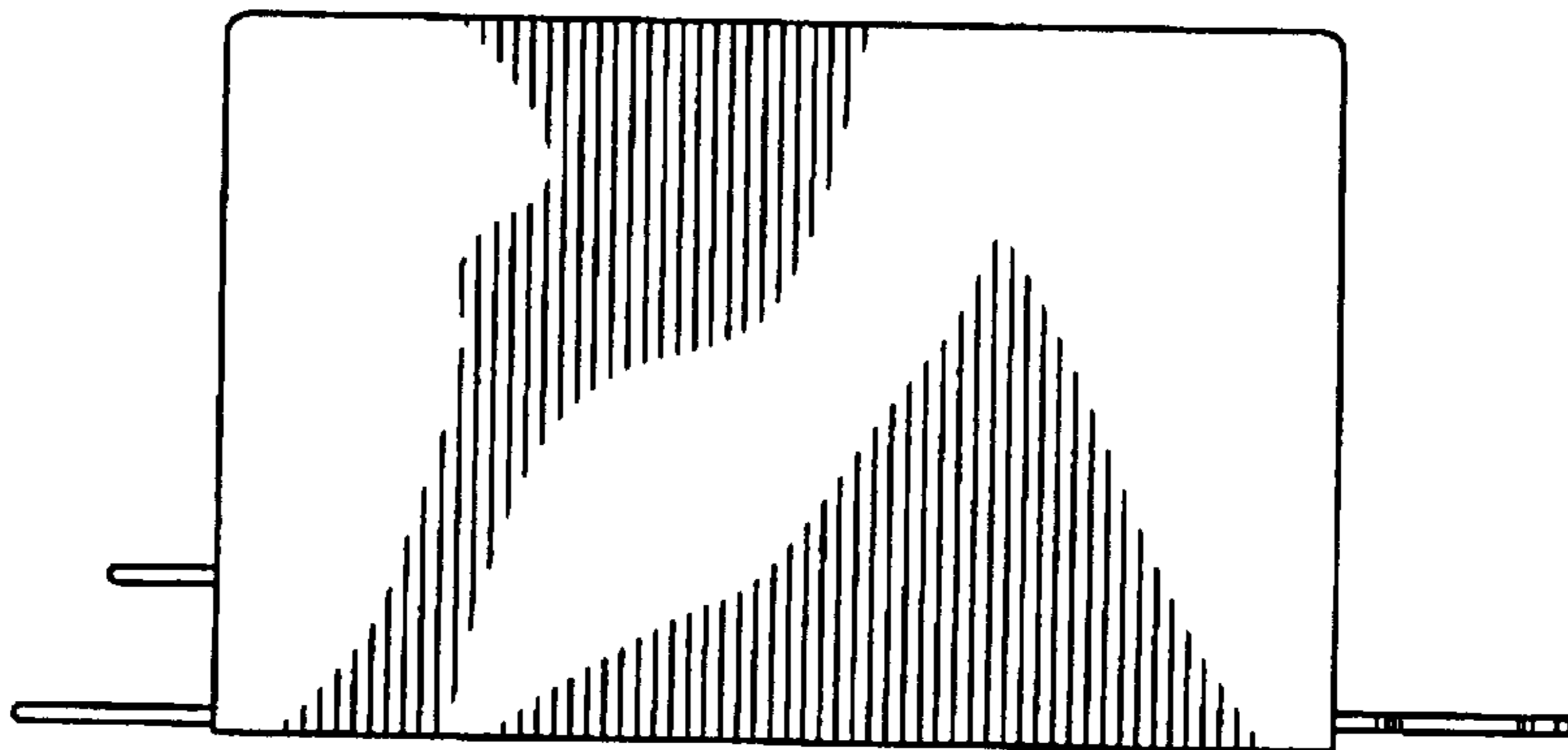
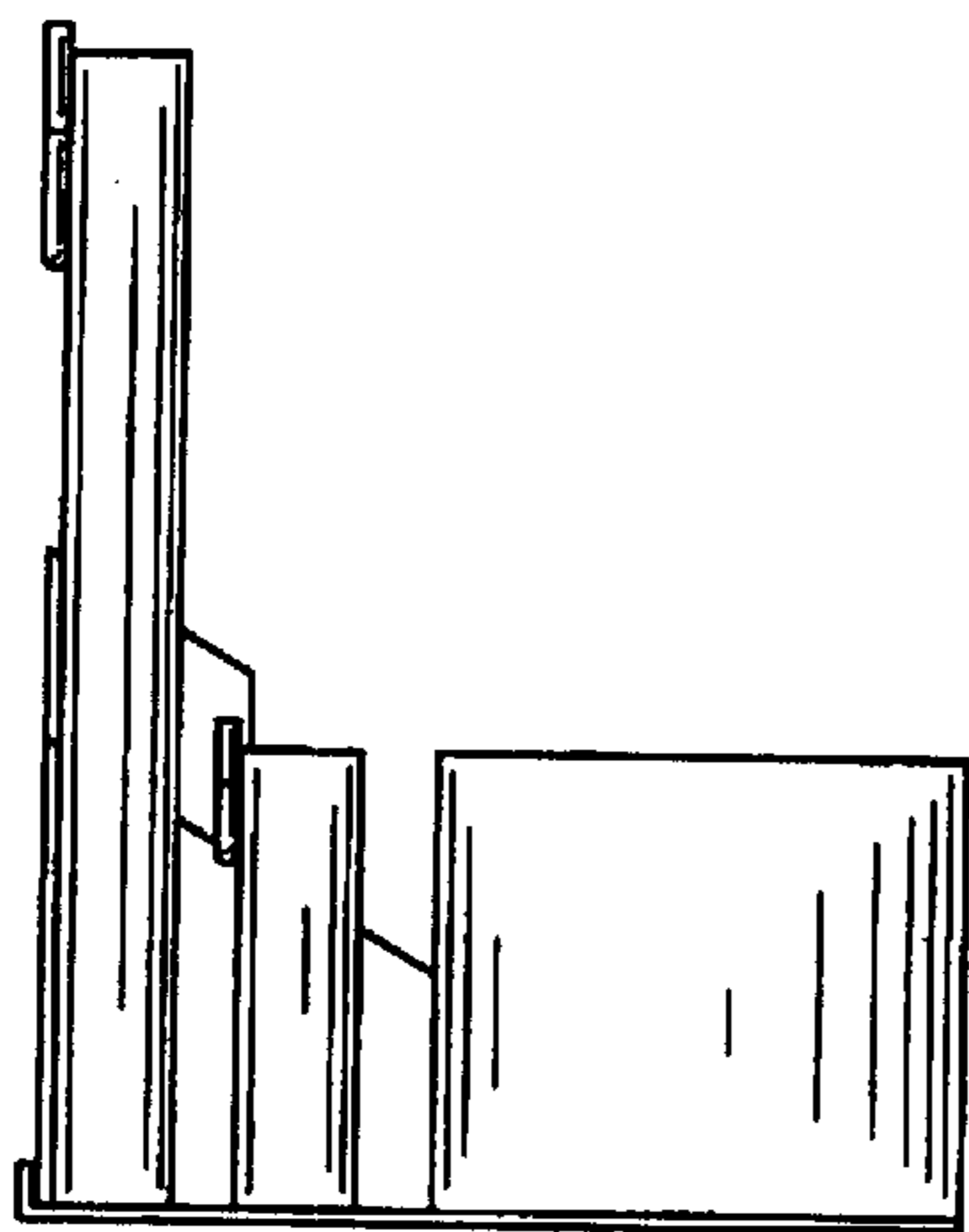
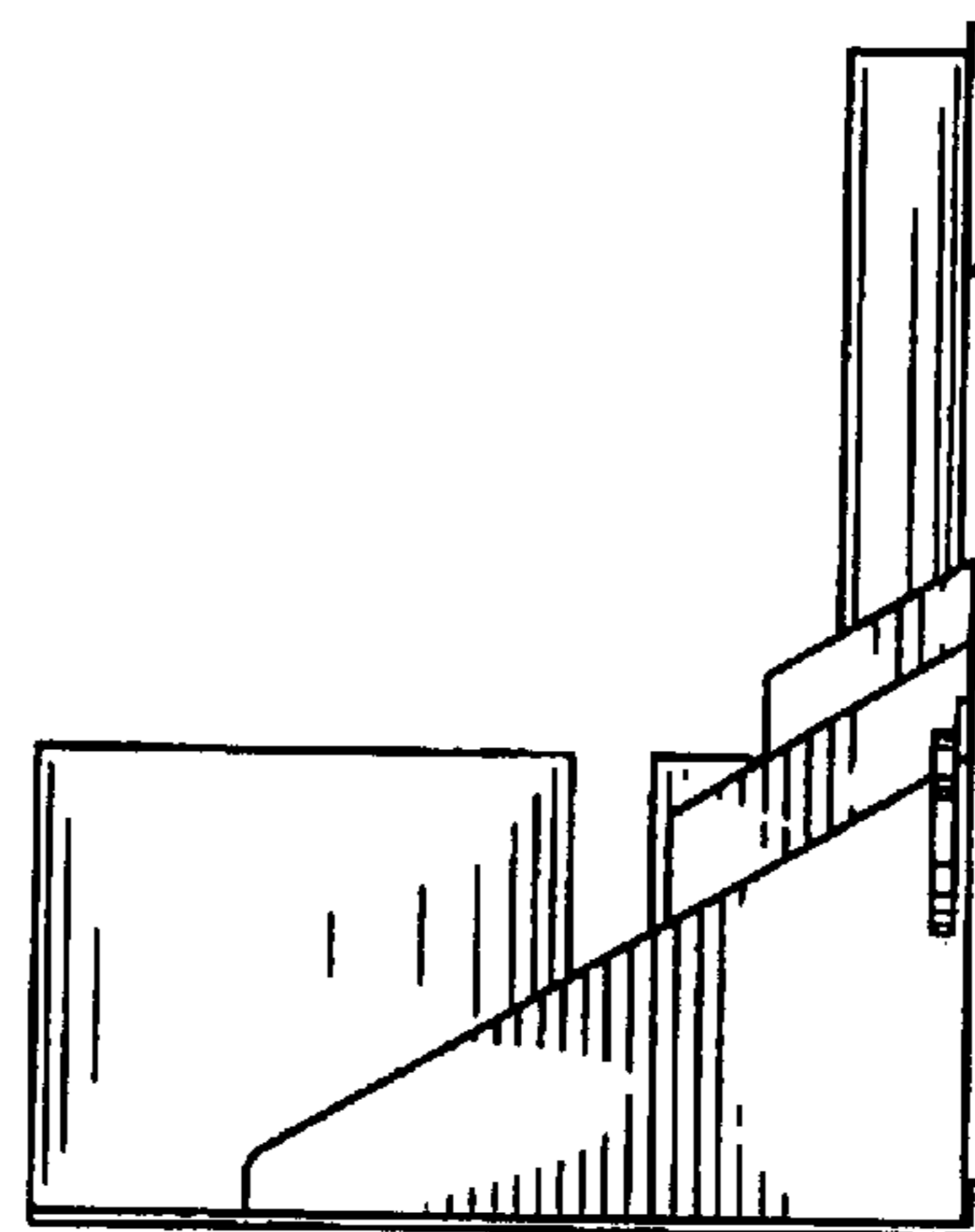


FIG. 4





**FIG. 5**



**FIG. 6**