



US00D542529S

(12) **United States Design Patent** (10) **Patent No.:** **US D542,529 S**
Peart et al. (45) **Date of Patent:** **** May 15, 2007**

(54) **CASH BOX/SECURITY CASE**
(75) Inventors: **Roger Peart**, Hickory Hills, IL (US);
Dale Eick, Mundelein, IL (US); **Brett Vladika**, Milwaukee, WI (US); **Steven G. Melnyk**, Caledonia, WI (US);
Joshua J. Nelson, Milwaukee, WI (US)

6,006,558 A 12/1999 Peters
D437,685 S 2/2001 Liu
D440,401 S 4/2001 Pauser et al.
D447,633 S 9/2001 Demsien et al.
D448,931 S 10/2001 Gutierrez et al.
D449,165 S 10/2001 van der Hulst
D454,429 S 3/2002 Hussaini et al.
D454,689 S 3/2002 Gonda et al.
D458,127 S 6/2002 de Groote

(73) Assignee: **Block and Company, Inc.**, Wheeling, IL (US)

(Continued)

(**) Term: **14 Years**

OTHER PUBLICATIONS

(21) Appl. No.: **29/229,172**

MMF Cash Drawaer echelon security Case Slim Line. Downloaded Oct. 24, 2006 at http://www.mmfcashdrawer.com/05site/echelon/echelon_slim.htm.*

(22) Filed: **May 4, 2005**

(51) **LOC (8) Cl.** **03-01**
(52) **U.S. Cl.** **D3/276; D3/294; D99/28**
(58) **Field of Classification Search** D3/273,
D3/276, 294-298, 318, 323, 326, 900, 901,
D3/903; D14/315, 329, 440; D28/78, 83;
D99/28, 35, 43; 70/63, 231; 109/1 R, 22,
109/44-45; 206/308.2, 349, 372-373, 387.11
See application file for complete search history.

Primary Examiner—Philip S. Hyder
Assistant Examiner—RoseLynn (Ulm) Cody
(74) *Attorney, Agent, or Firm*—Cook, Alex, McFarron,
Manzo, Cummings & Mehler, Ltd.

(57) **CLAIM**

The ornamental design for a cash box/security case, as shown and described.

(56) **References Cited**

DESCRIPTION

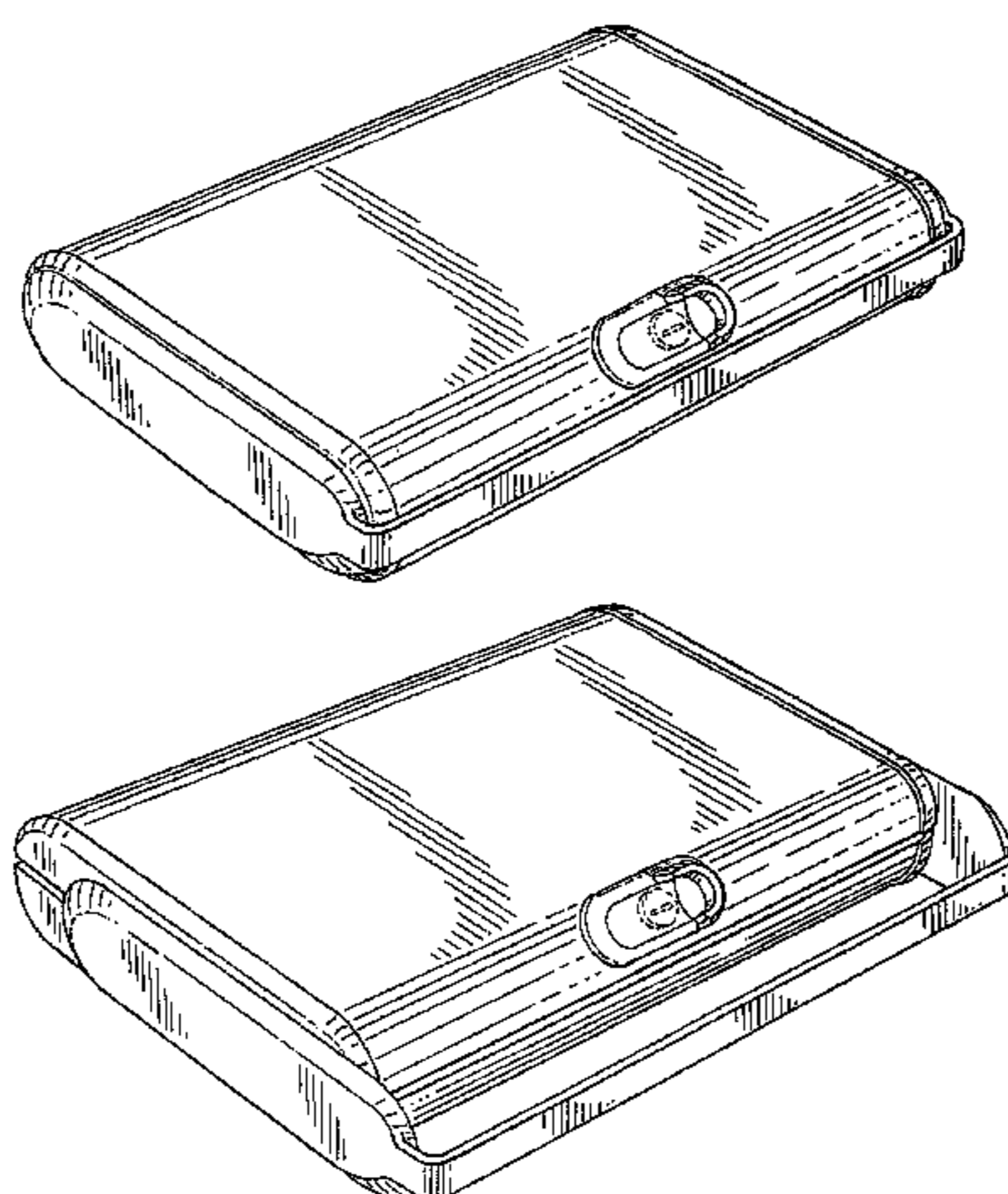
U.S. PATENT DOCUMENTS

D122,811 S * 10/1940 Adams D27/187
D145,008 S * 6/1946 Crane D3/275
2,544,118 A 3/1951 Went
D257,800 S 1/1981 Pedersen
D280,678 S * 9/1985 Loscalzo et al. D3/294
D280,852 S * 10/1985 Bakic D28/83
4,766,292 A * 8/1988 Cone 235/22
D307,354 S 4/1990 Knotter et al.
D330,913 S 11/1992 Hiromori
5,168,987 A 12/1992 Warwicker
D333,727 S 3/1993 Schurman
D341,935 S 12/1993 Peersmann
D366,280 S * 1/1996 Henderson D19/52
D367,211 S 2/1996 Cautereels
D367,558 S 3/1996 Lai
D371,906 S 7/1996 Peters
D373,901 S 9/1996 Bergstedt
D412,786 S 8/1999 Killinger

FIG. 1 is a perspective view of a cash box/security case with the handle in its retracted position showing our design; FIG. 2 is a top plan thereof; FIG. 3 is an elevational view of the front side thereof; FIG. 4 is an elevational view of one side thereof; FIG. 5 is an elevational view of the opposite side thereof; FIG. 6 is an elevational view of the back side thereof; FIG. 7 is a bottom plan view thereof; FIG. 8 is a perspective view of the cash box/security case with the handle in its extended position; and, FIG. 9 is a top plan view of the cash box/security case as shown in FIG. 8.

The circular slotted feature shown in phantom lines in FIGS. 1, 2, 3, 8, and 9 represents the portion of the design that forms no part of the claim.

1 Claim, 4 Drawing Sheets



US D542,529 S

Page 2

U.S. PATENT DOCUMENTS

D459,857 S	7/2002	Stoneberg	D487,192 S	3/2004	Farnham et al.	
D459,886 S	7/2002	Jones	D496,585 S	9/2004	McBride et al.	
D469,607 S	2/2003	Wolff	D513,873 S	* 1/2006	Bochno et al. D3/294
D474,599 S	5/2003	Shamoon	2001/0034202 A1	10/2001	Nottingham et al.	
D476,810 S	7/2003	Liebe				

* cited by examiner

FIG. 1

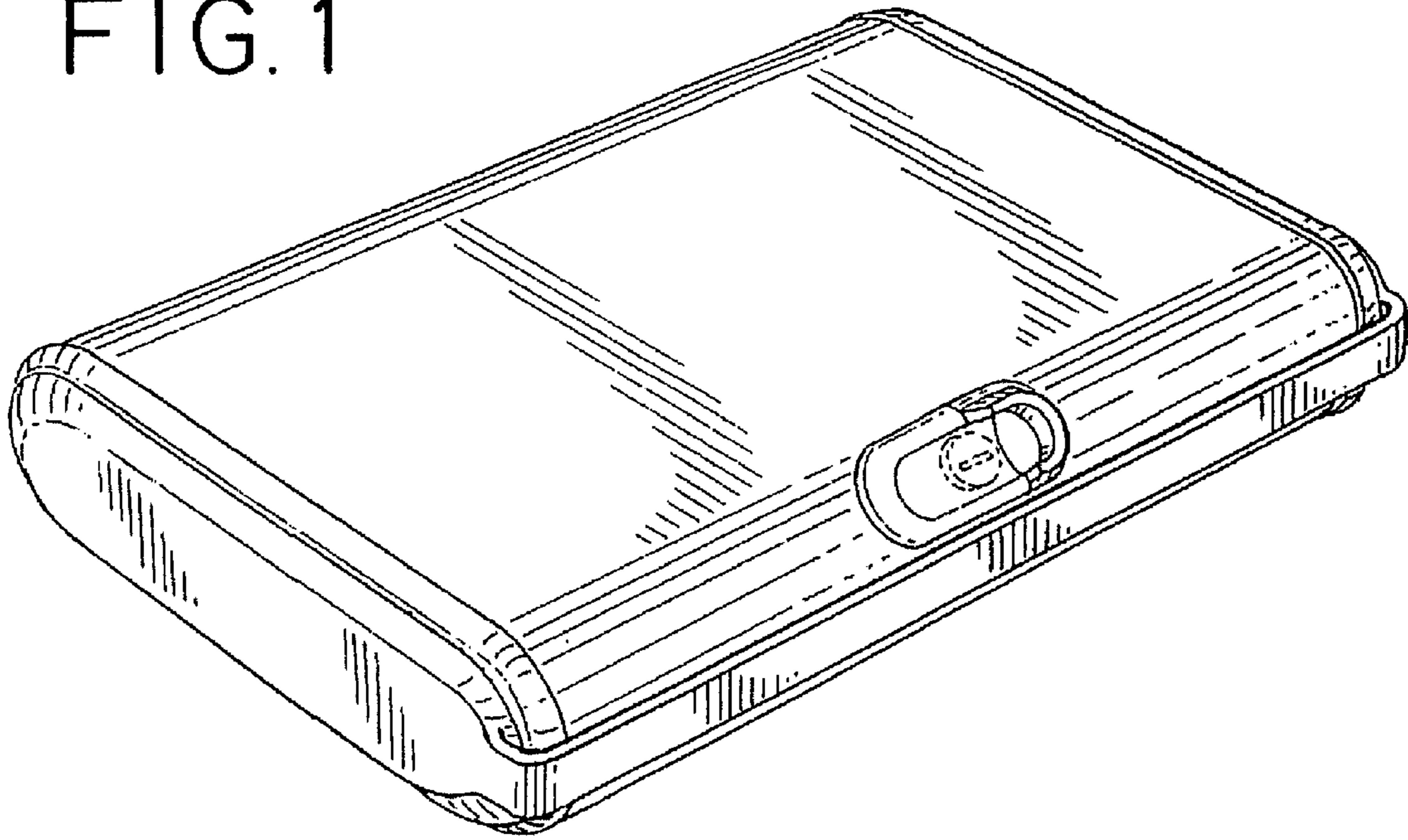


FIG. 2

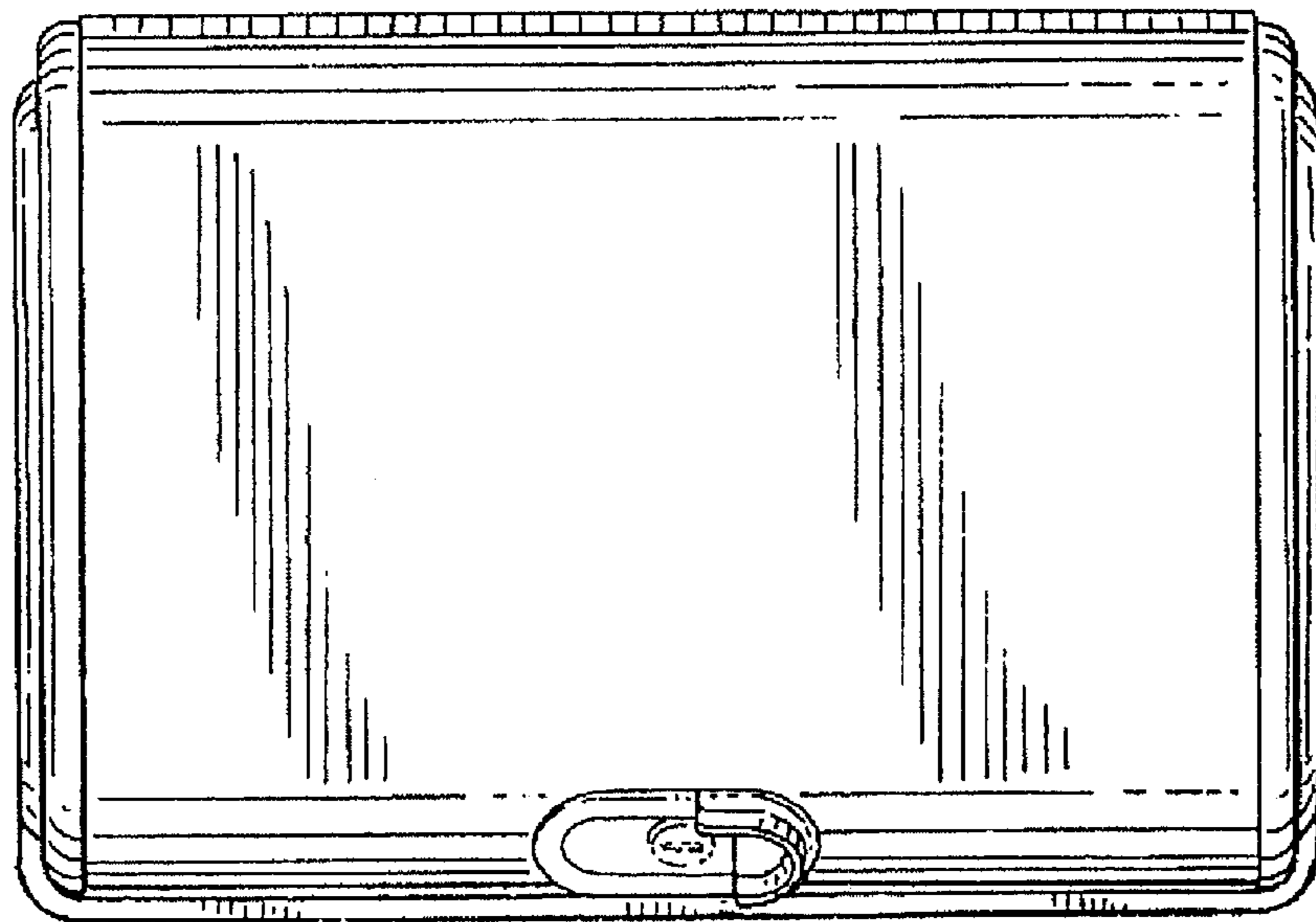


FIG. 3

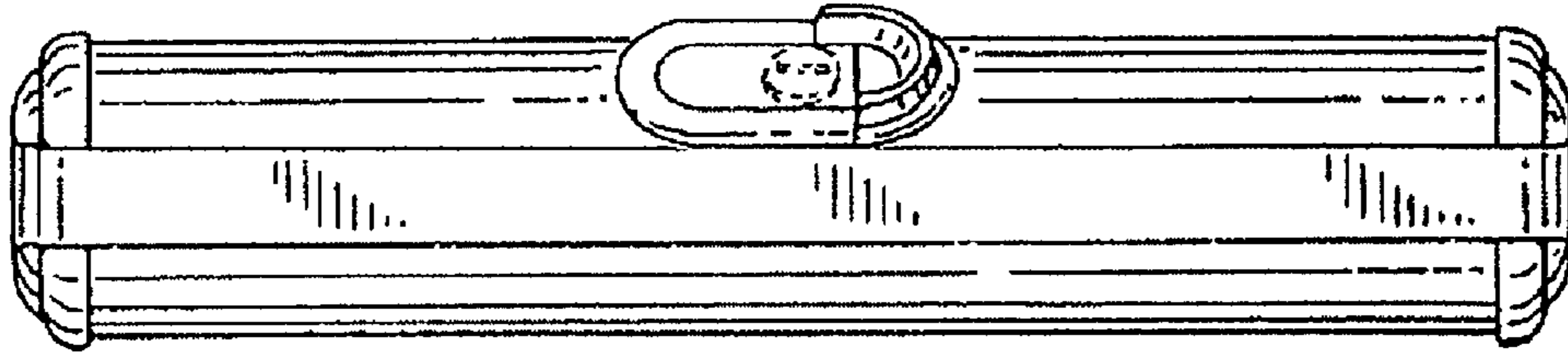


FIG. 4

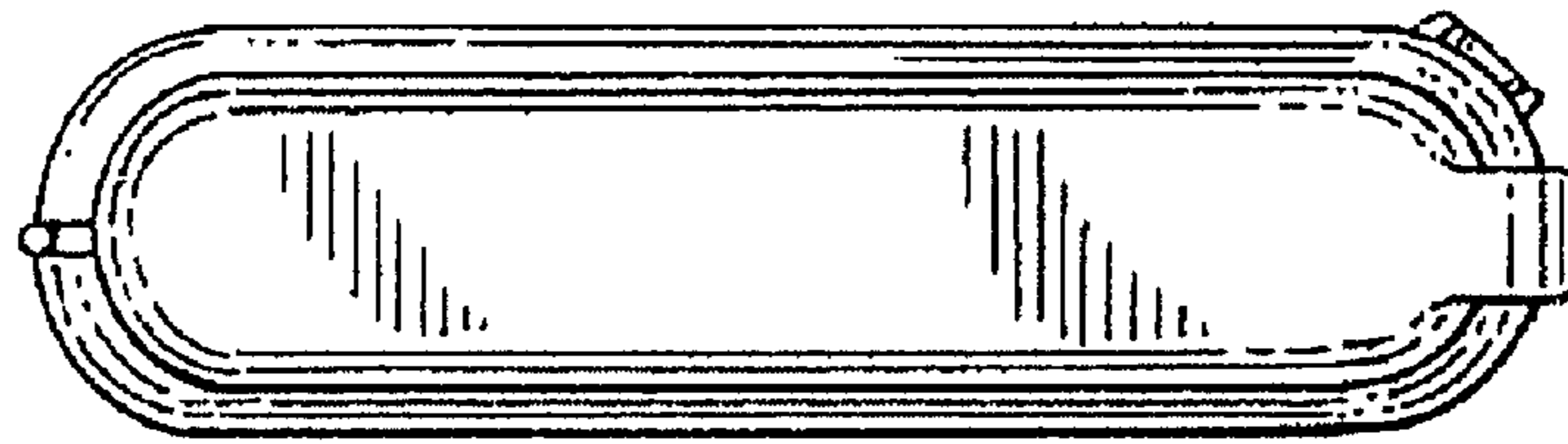


FIG. 5

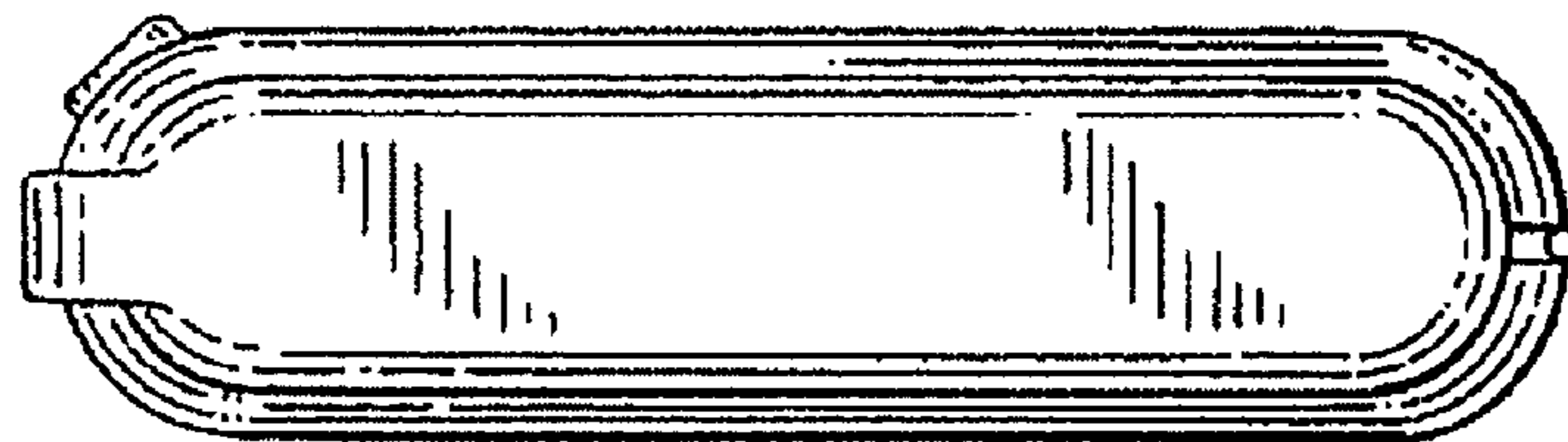


FIG. 6

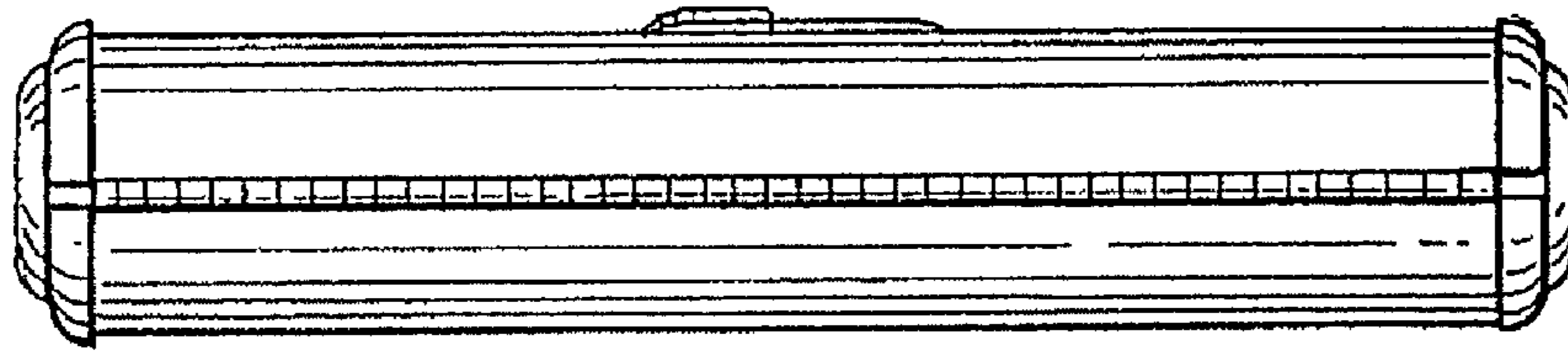


FIG. 7

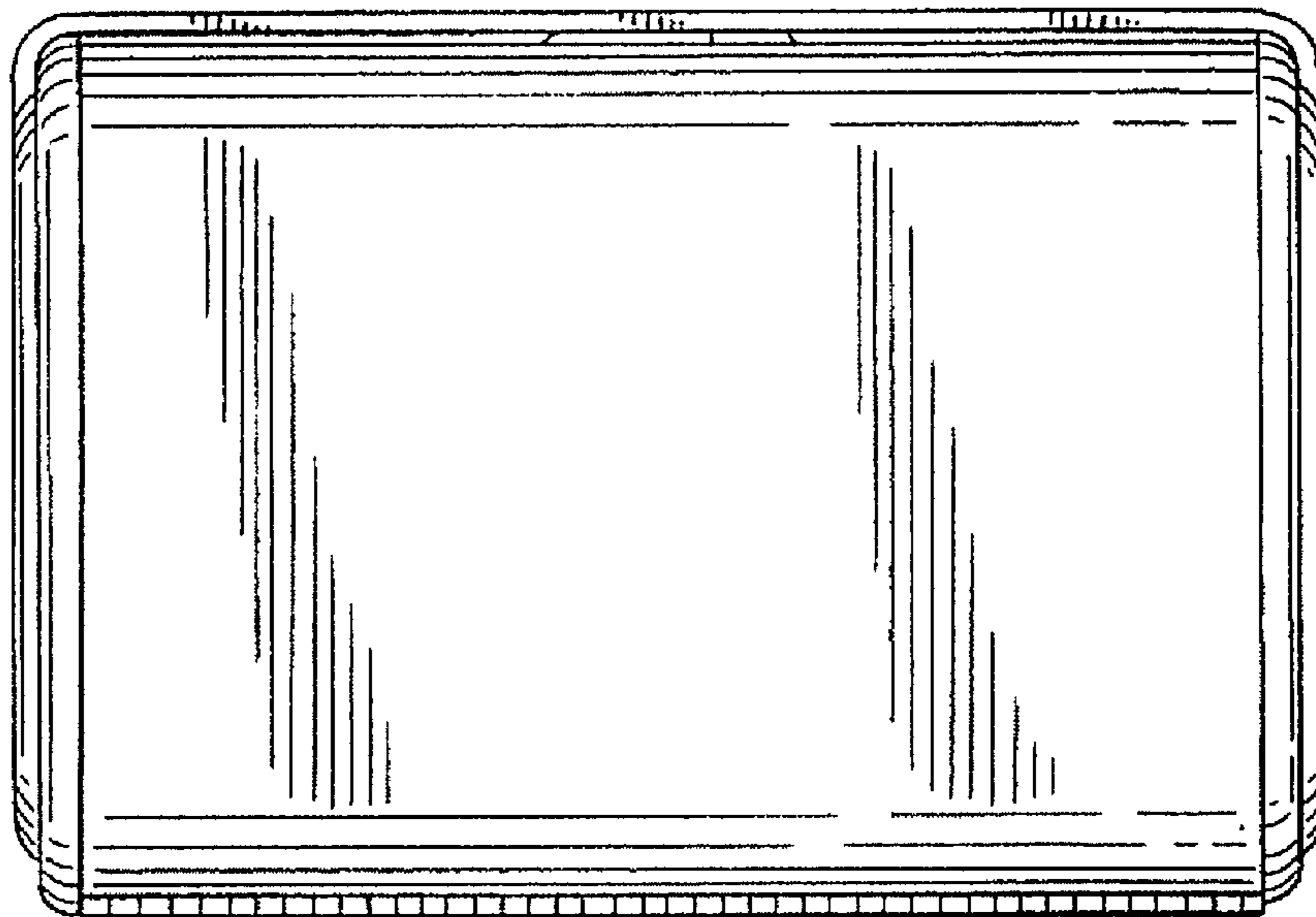


FIG. 8

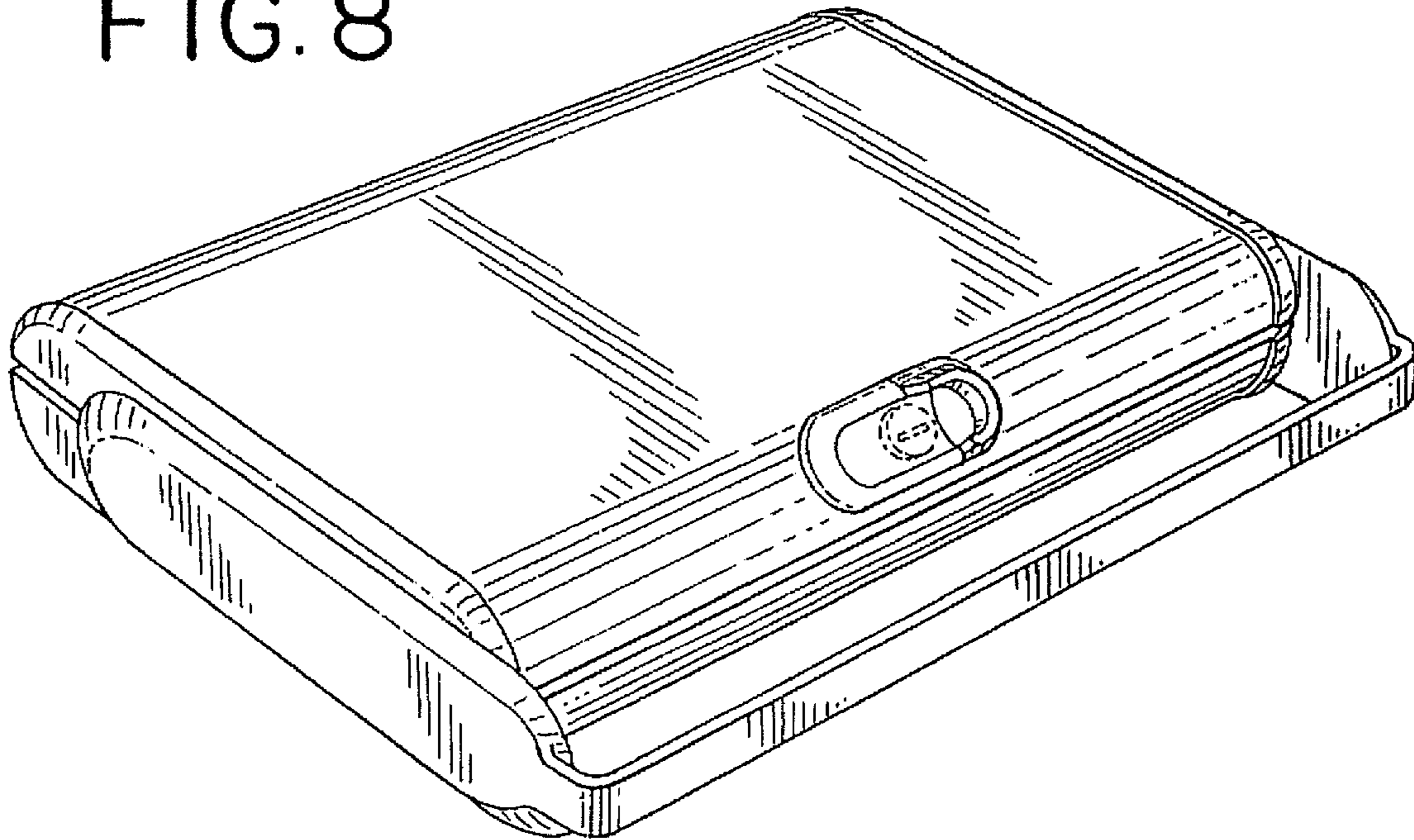


FIG. 9

