

US00D542526S

(12) **United States Design Patent**
Zellmer

(10) **Patent No.:** **US D542,526 S**

(45) **Date of Patent:** **** May 15, 2007**

(54) **ATHLETIC BALL CARRIER**

(75) Inventor: **Benjamin P. Zellmer**, 3616 W.
Oklahoma Ave., #2, Milwaukee, WI
(US) 53215

(73) Assignee: **Benjamin P. Zellmer**, Milwaukee, WI
(US)

(**) Term: **14 Years**

(21) Appl. No.: **29/190,859**

(22) Filed: **Sep. 26, 2003**

Related U.S. Application Data

(63) Continuation of application No. 10/413,987, filed on Apr.
15, 2003, now abandoned.

(51) **LOC (8) Cl.** **03-01**

(52) **U.S. Cl.** **D3/257; D3/259**

(58) **Field of Classification Search** D3/221,
D3/254, 257-259, 315-316, 904; 206/315.1,
206/315.9, 315.91; 224/919; 294/149-150
See application file for complete search history.

(56) **References Cited**

U.S. PATENT DOCUMENTS

3,918,618	A	*	11/1975	Castaneda	294/157
4,305,584	A	*	12/1981	Leehan	473/127
4,510,982	A		4/1985	Sangroni		
5,085,320	A	*	2/1992	Scott	206/315.9
D332,350	S	*	1/1993	Anderson	D3/257
5,238,162	A	*	8/1993	LaCivita	224/250
D373,472	S	*	9/1996	Eaton et al.	D3/257
D375,626	S	*	11/1996	Eaton et al.	D3/257
5,779,044	A		7/1998	Myers, Jr.		
D410,335	S	*	6/1999	Raich	D3/315
5,909,833	A		6/1999	Smith		
5,944,623	A		8/1999	Schlicting		

6,095,390	A		8/2000	Bogle		
6,286,674	B1		9/2001	Richard et al.		
D504,014	S	*	4/2005	Lampley	D3/221
6,892,916	B1	*	5/2005	Rugg	224/645

OTHER PUBLICATIONS

B-Ball Sling basketball carrier *New Product* Downloaded
Jul. 12, 2006 at http://cgi.ebay.com/-Ball-Sling-basketball-carrier-New-Product_W0QQitemZ7232337620QQc... (3 pages).*

* cited by examiner

Primary Examiner—Philip S. Hyder

Assistant Examiner—RoseLynne (Ulm) Cody

(74) *Attorney, Agent, or Firm*—Michael Best & Friedrich
LLP

(57) **CLAIM**

I claim the ornamental design for an athletic ball carrier, as
shown and described.

DESCRIPTION

FIG. 1 is a right side view of an athletic ball carrier
embodying aspects of the invention.

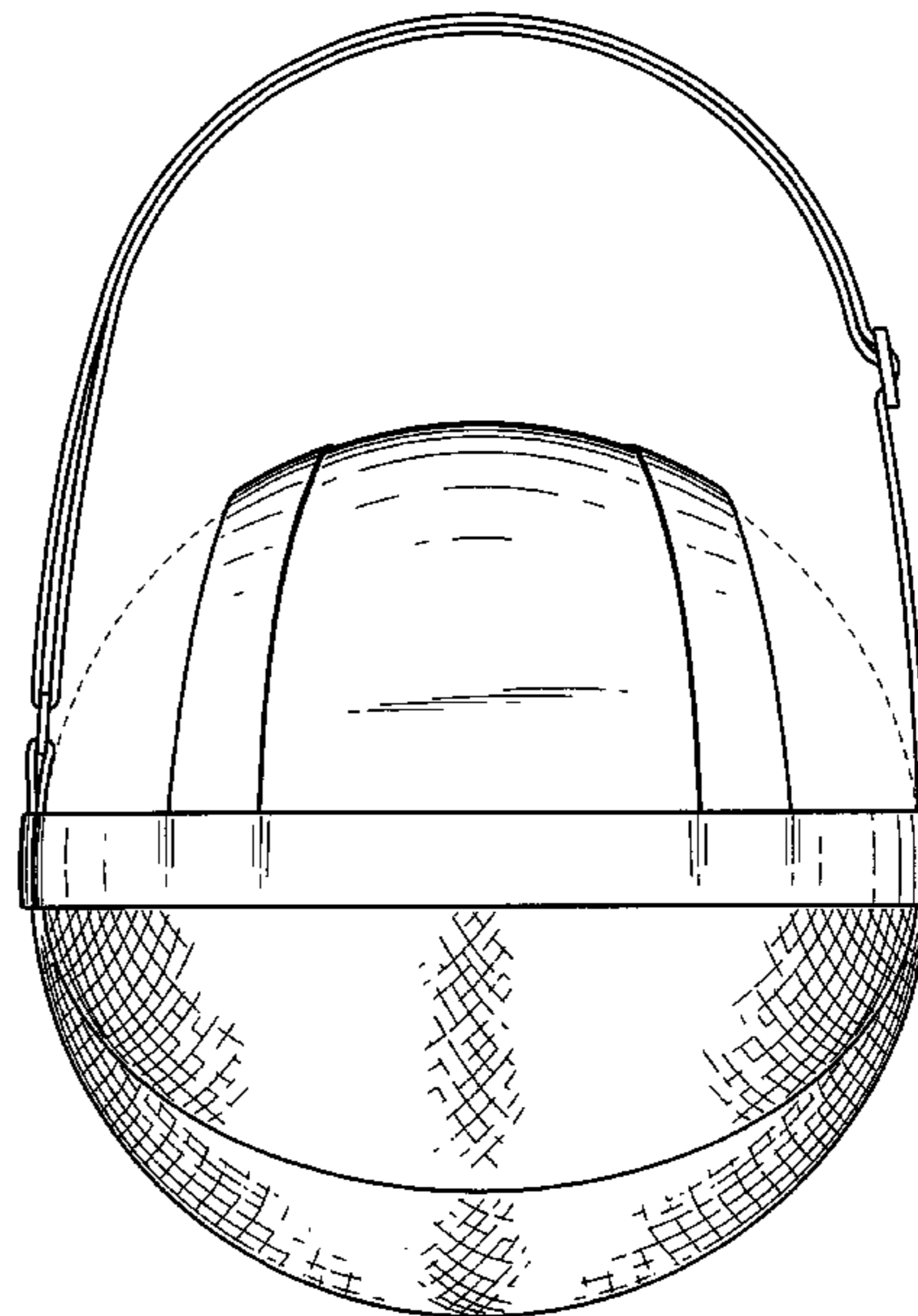
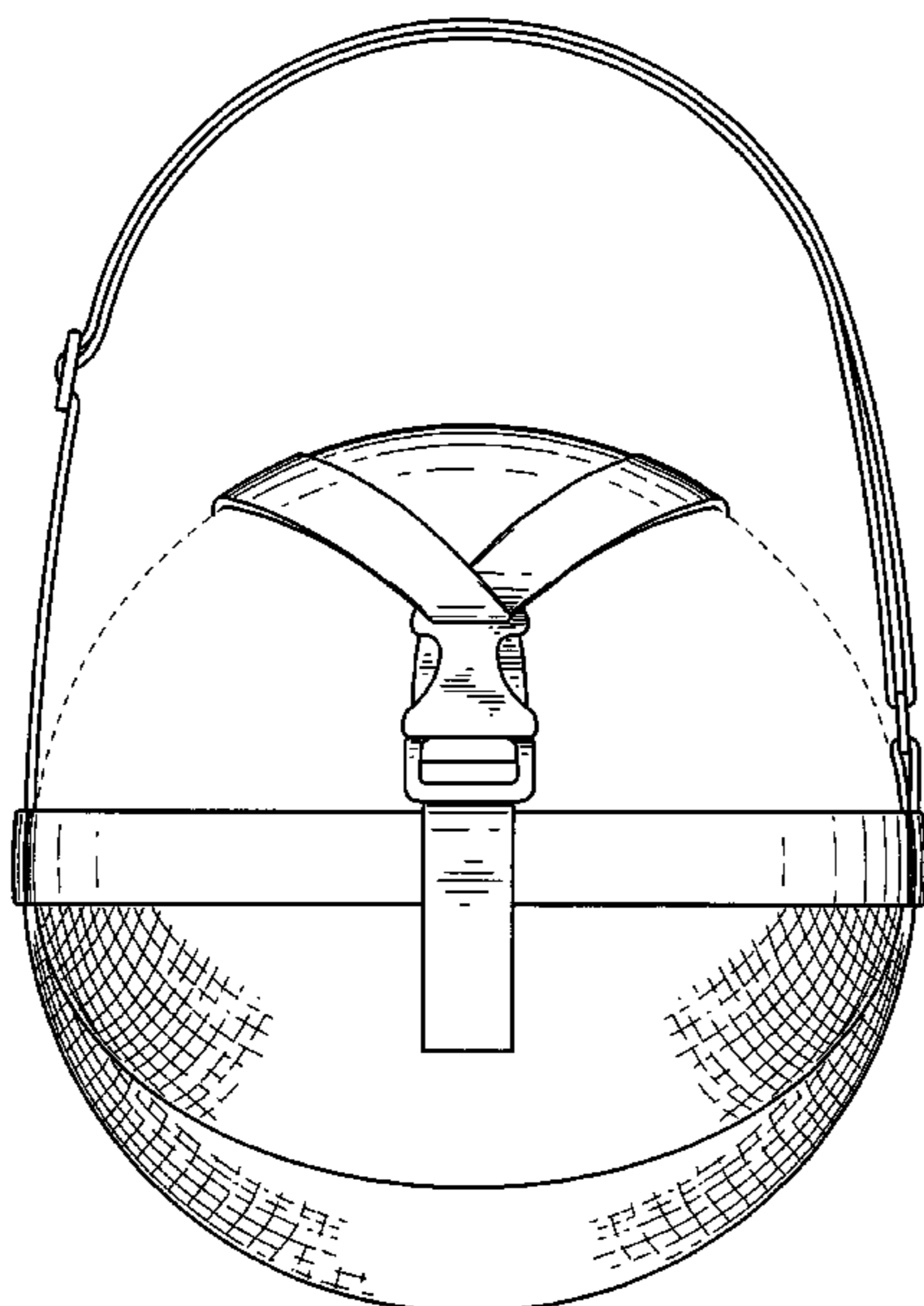
FIG. 2 is a front view of the athletic ball carrier in FIG. 1.
FIG. 3 is a rear view of the athletic ball carrier shown in FIG.
1.

FIG. 4 is a top view of the athletic ball carrier shown in FIG.
1 ; and,

FIG. 5 is a bottom view of the athletic ball carrier shown in
FIG. 1 .

The size and shape of the ball being carried are not consid-
ered part of the claimed design. Accordingly, the broken line
showing is for illustrative purposes only and forms no part
of the claimed design. The crisscross pattern of lines in the
drawings represents material which is understood to be
distributed uniformly over the lower surface of the carrier.

1 Claim, 3 Drawing Sheets



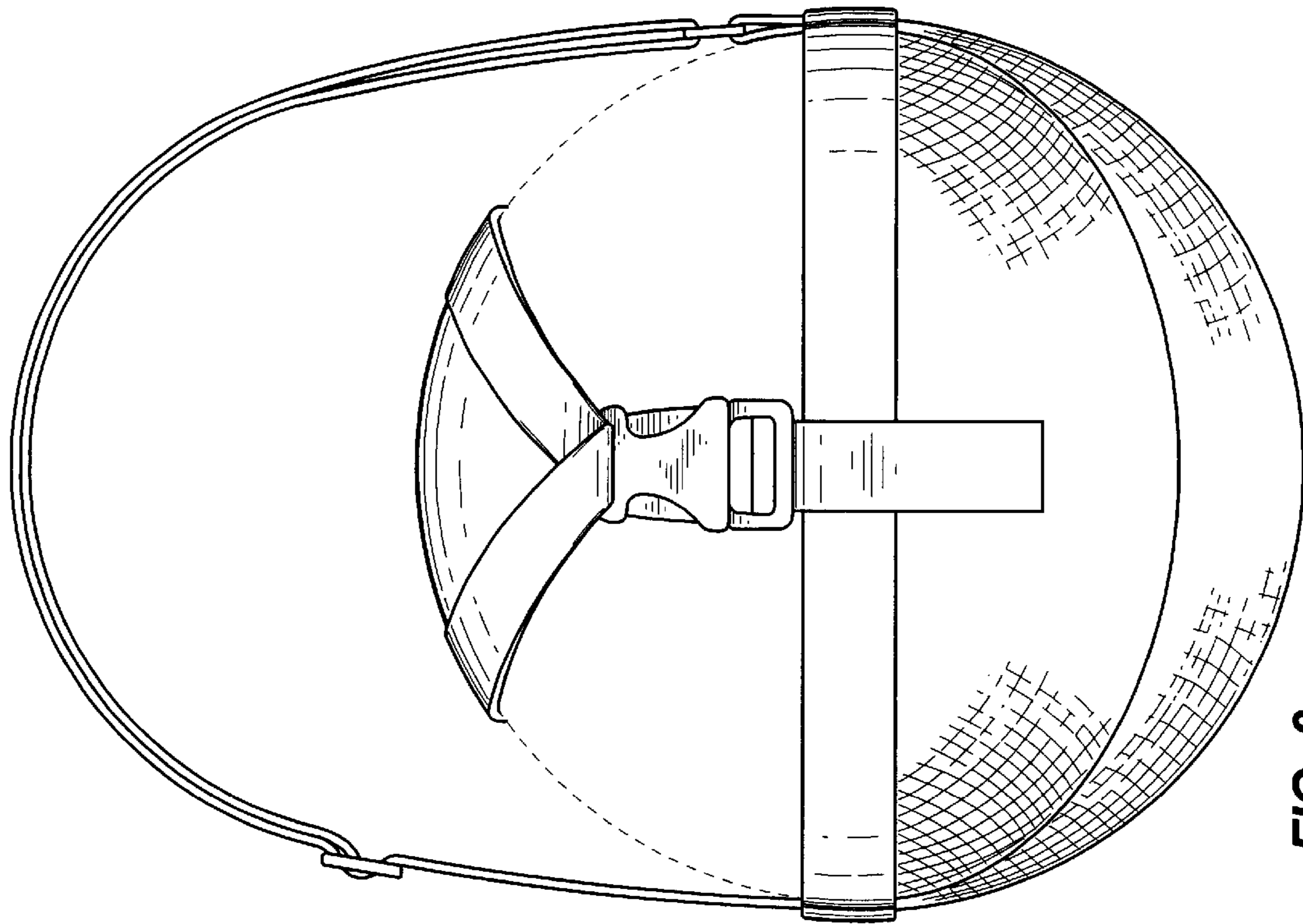


FIG. 2

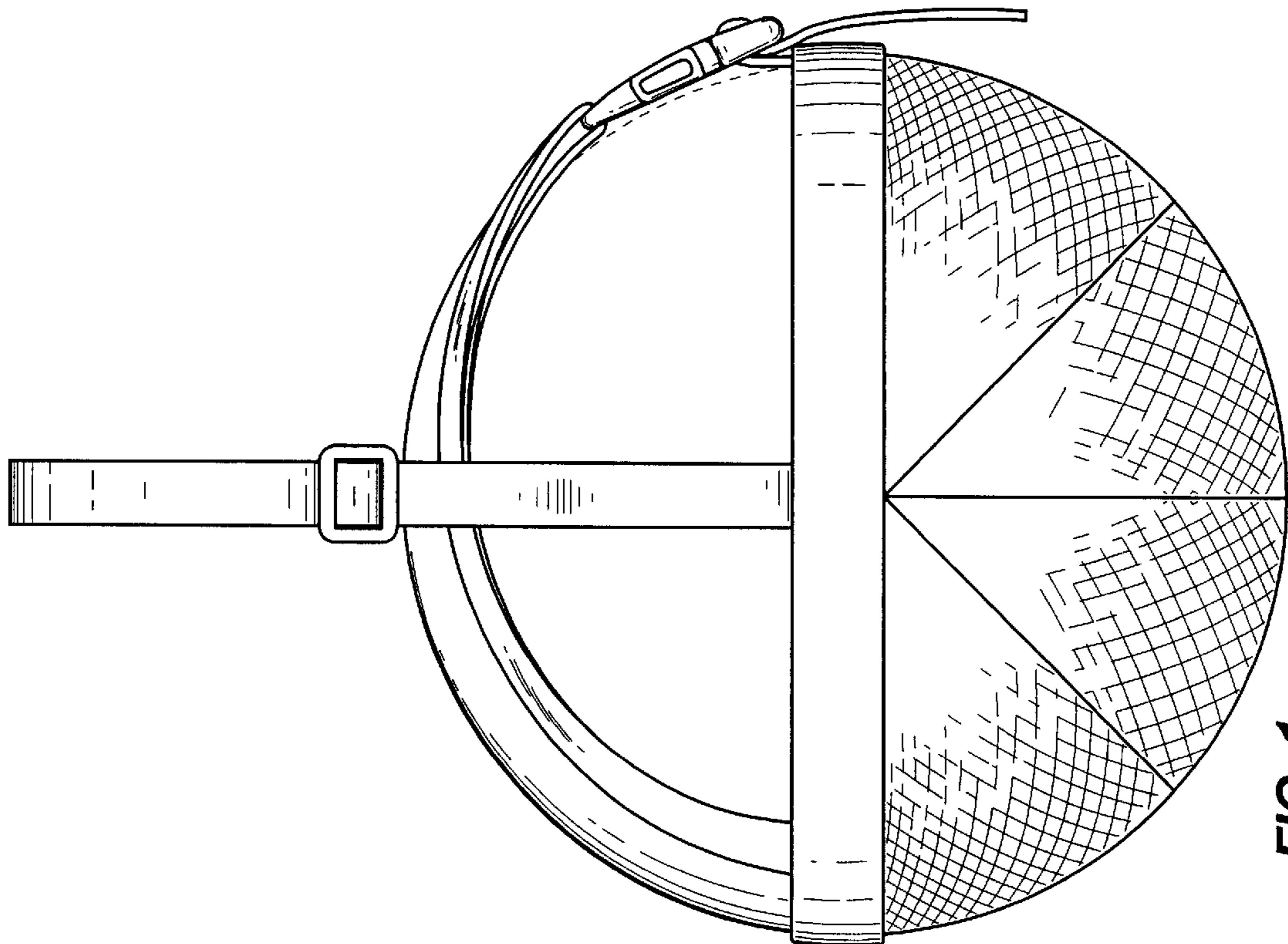


FIG. 1

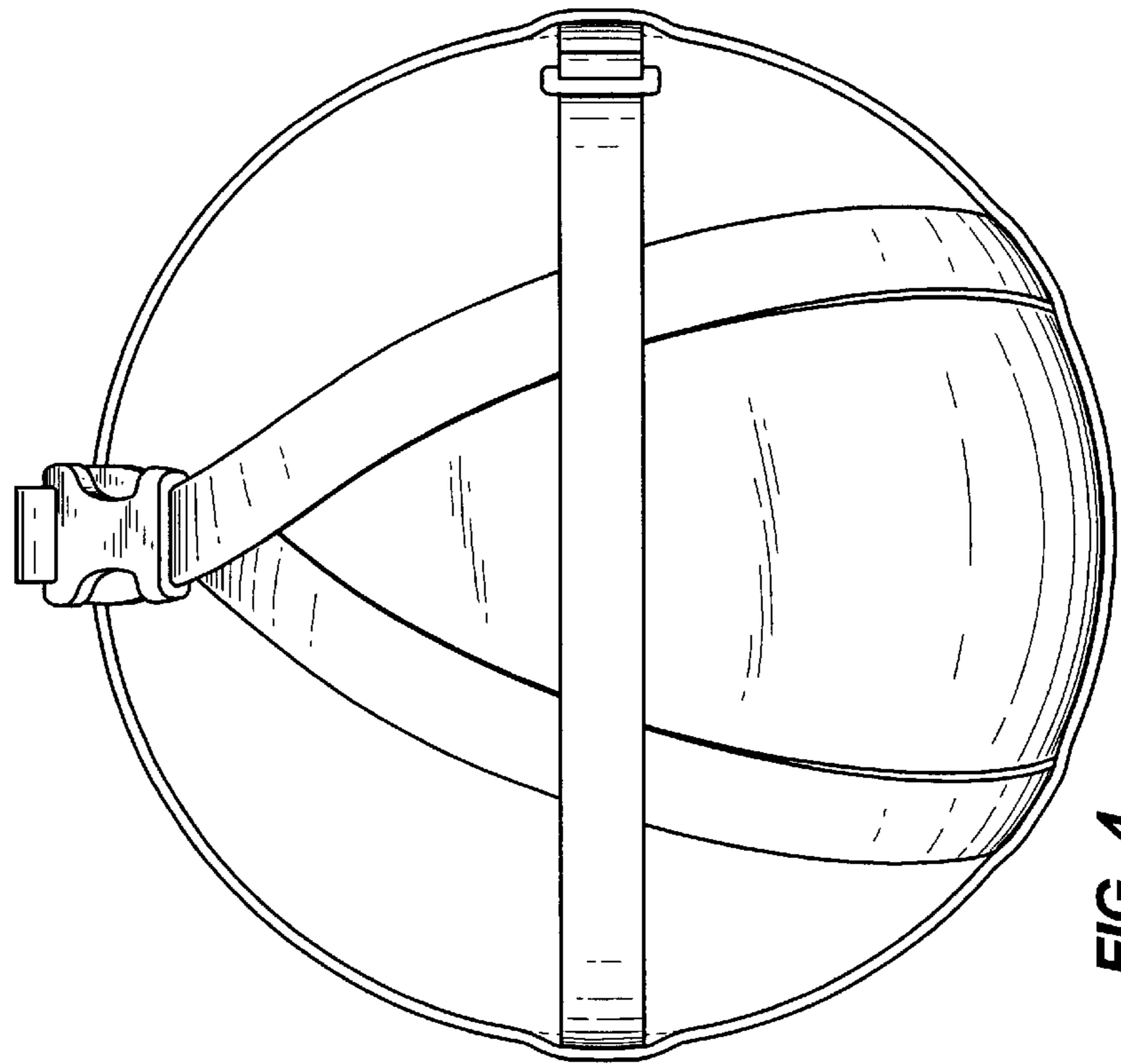


FIG. 4

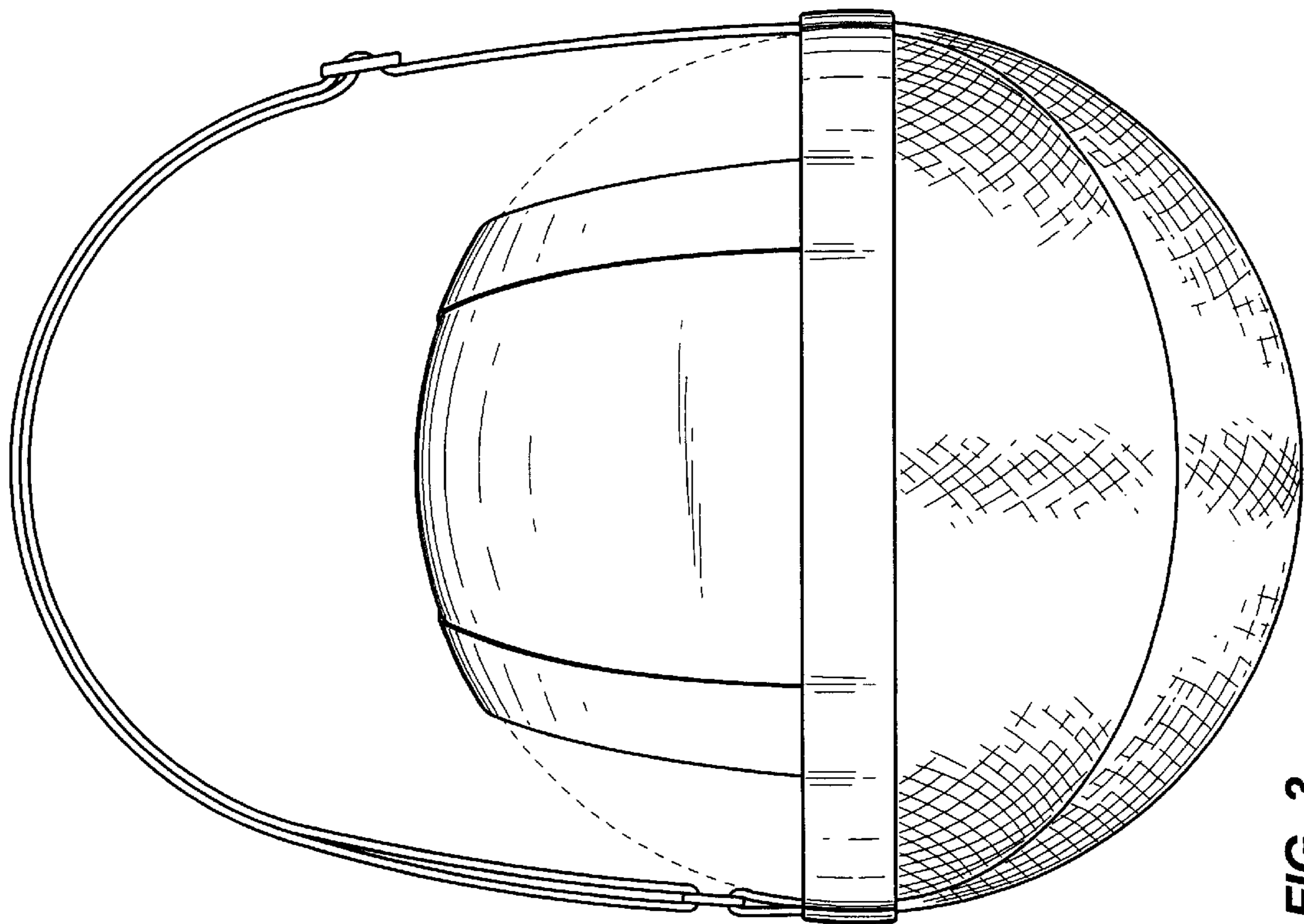


FIG. 3

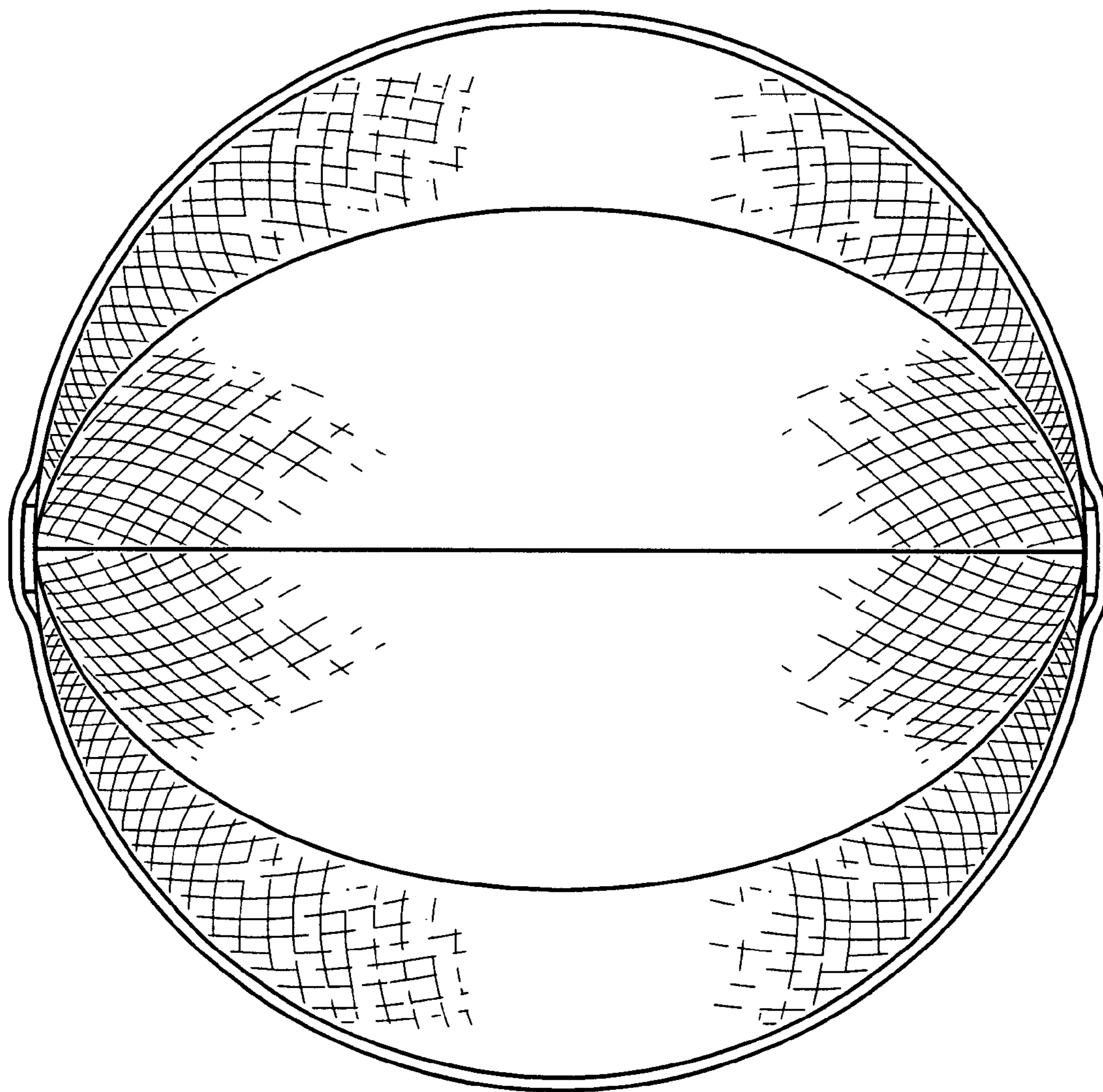


FIG. 5

UNITED STATES PATENT AND TRADEMARK OFFICE
CERTIFICATE OF CORRECTION

PATENT NO. : Des. 542,526 S
APPLICATION NO. : 29/190859
DATED : May 15, 2007
INVENTOR(S) : Benjamin P. Zellmer

Page 1 of 1

It is certified that error appears in the above-identified patent and that said Letters Patent is hereby corrected as shown below:

On the title page:

Under DESCRIPTION, last sentence:

Delete "uniformely" and replace with -- uniformly --

Signed and Sealed this

Twenty-ninth Day of April, 2008

A handwritten signature in black ink that reads "Jon W. Dudas". The signature is written in a cursive style with a large, stylized initial "J".

JON W. DUDAS

Director of the United States Patent and Trademark Office