



US00D542511S

(12) **United States Design Patent**
Lewis

(10) **Patent No.:** **US D542,511 S**
(45) **Date of Patent:** **** May 15, 2007**

(54) **PISTON HAT**

(76) Inventor: **Brandon C. Lewis**, 153 Gordon, Troy,
MI (US) 48098

(**) Term: **14 Years**

(21) Appl. No.: **29/238,603**

(22) Filed: **Sep. 16, 2005**

(51) **LOC (8) Cl.** **02-03**

(52) **U.S. Cl.** **D2/869**

(58) **Field of Classification Search** D2/865,
D2/866, 869-875, 878; 2/209.3; D15/1, 3,
D15/5

See application file for complete search history.

(56) **References Cited**

U.S. PATENT DOCUMENTS

D224,169 S	*	7/1972	Rudd	D15/1
D391,039 S	*	2/1998	Mongeon	D2/869
D399,990 S	*	10/1998	Parson et al.	D2/869
D421,174 S	*	2/2000	Williams	D2/869
D450,912 S	*	11/2001	Parsons et al.	D2/869
D468,890 S	*	1/2003	Davis	D2/869
D493,947 S	*	8/2004	Carmody et al.	D2/869
D499,531 S	*	12/2004	Carmody et al.	D2/869

D502,588 S * 3/2005 Crews D2/869

* cited by examiner

Primary Examiner—Robert M. Spear

Assistant Examiner—Mary Ann Calabrese

(74) *Attorney, Agent, or Firm*—Suzanne D. Nolan

(57) **CLAIM**

I claim the ornamental design for a piston hat, as shown and described.

DESCRIPTION

FIG. 1 is a front perspective view of a piston hat embodying my new design;

FIG. 2 is a rear perspective view thereof;

FIG. 3 is a front perspective view thereof showing the piston element of the hat in an alternate position tilted to the left side of the hat;

FIG. 4 is a front perspective view thereof showing the piston element in another alternate position tilted to the right side of the hat;

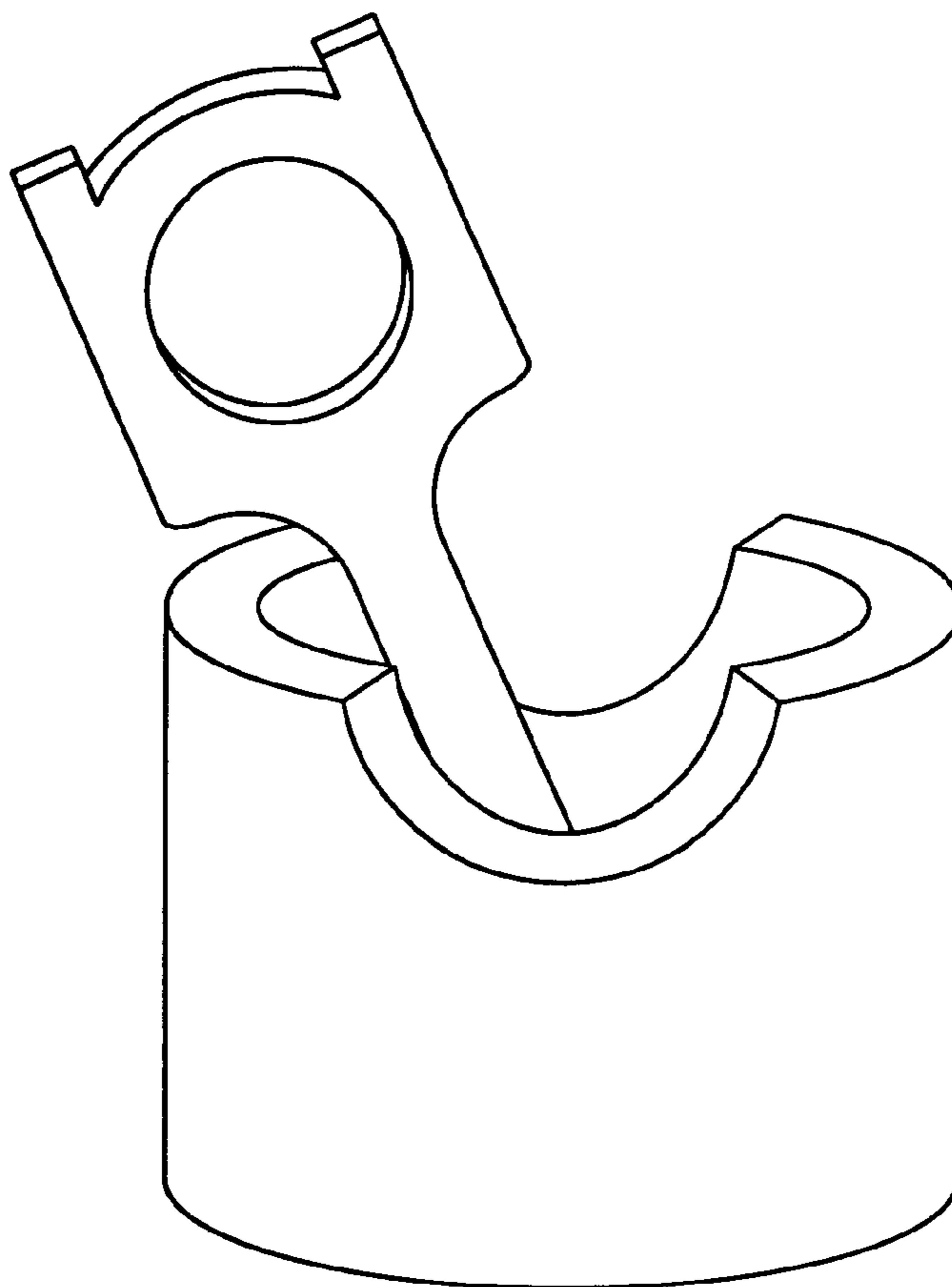
FIG. 5 is a right side perspective view of FIG. 1;

FIG. 6 is a left side perspective view thereof;

FIG. 7 is a top view thereof; and,

FIG. 8 is a bottom view thereof.

1 Claim, 2 Drawing Sheets



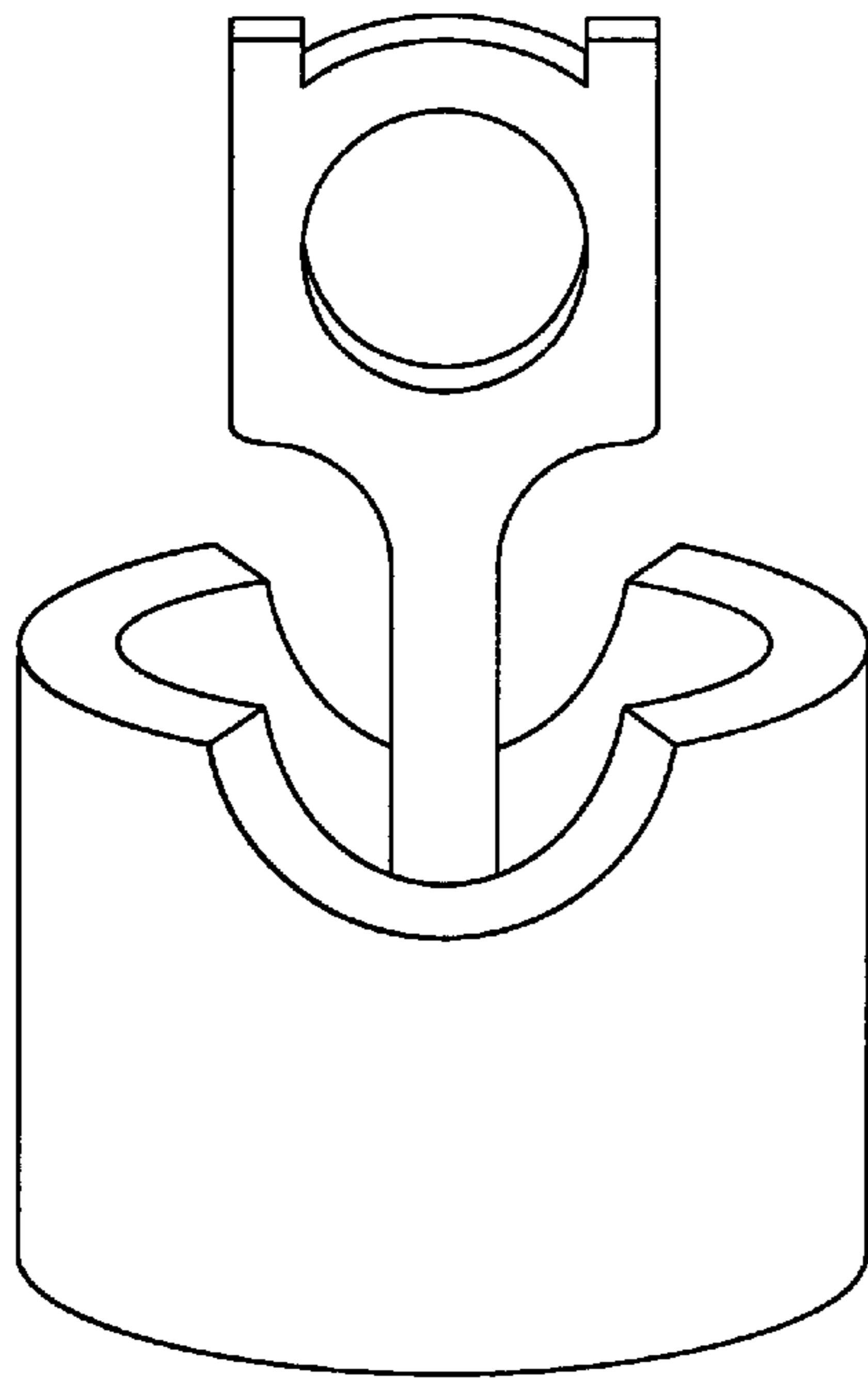


FIG. 1

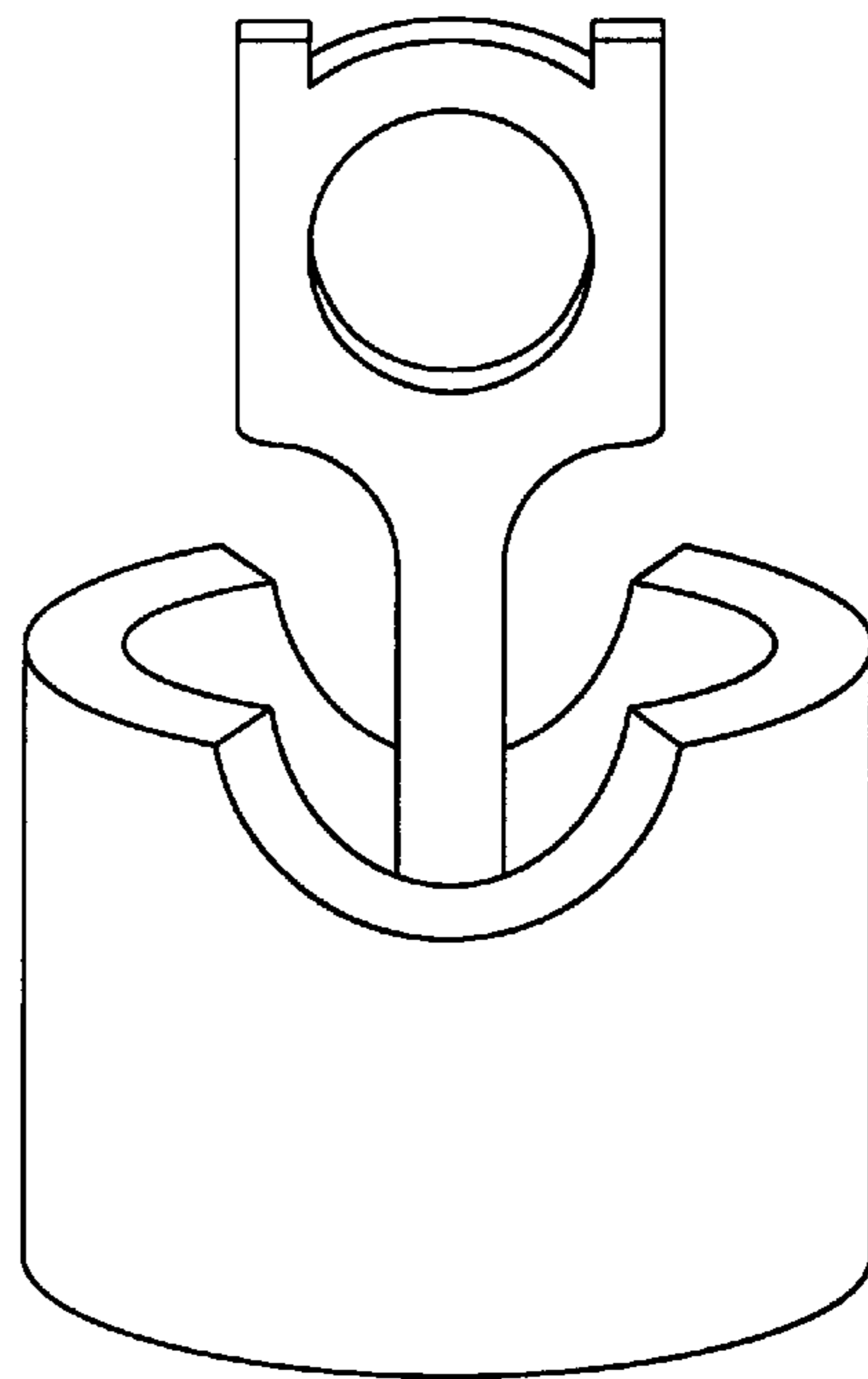


FIG. 2

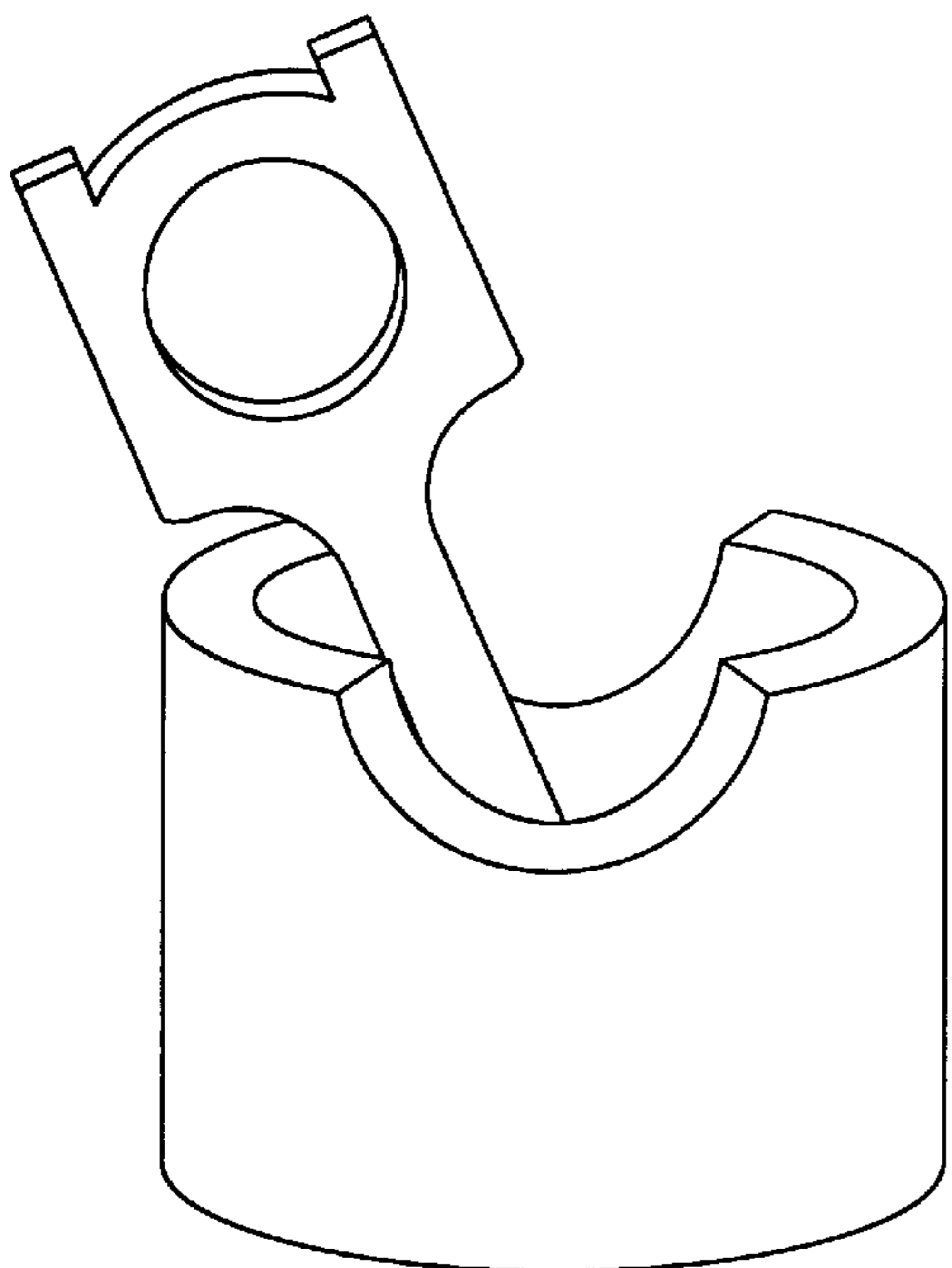


FIG. 3

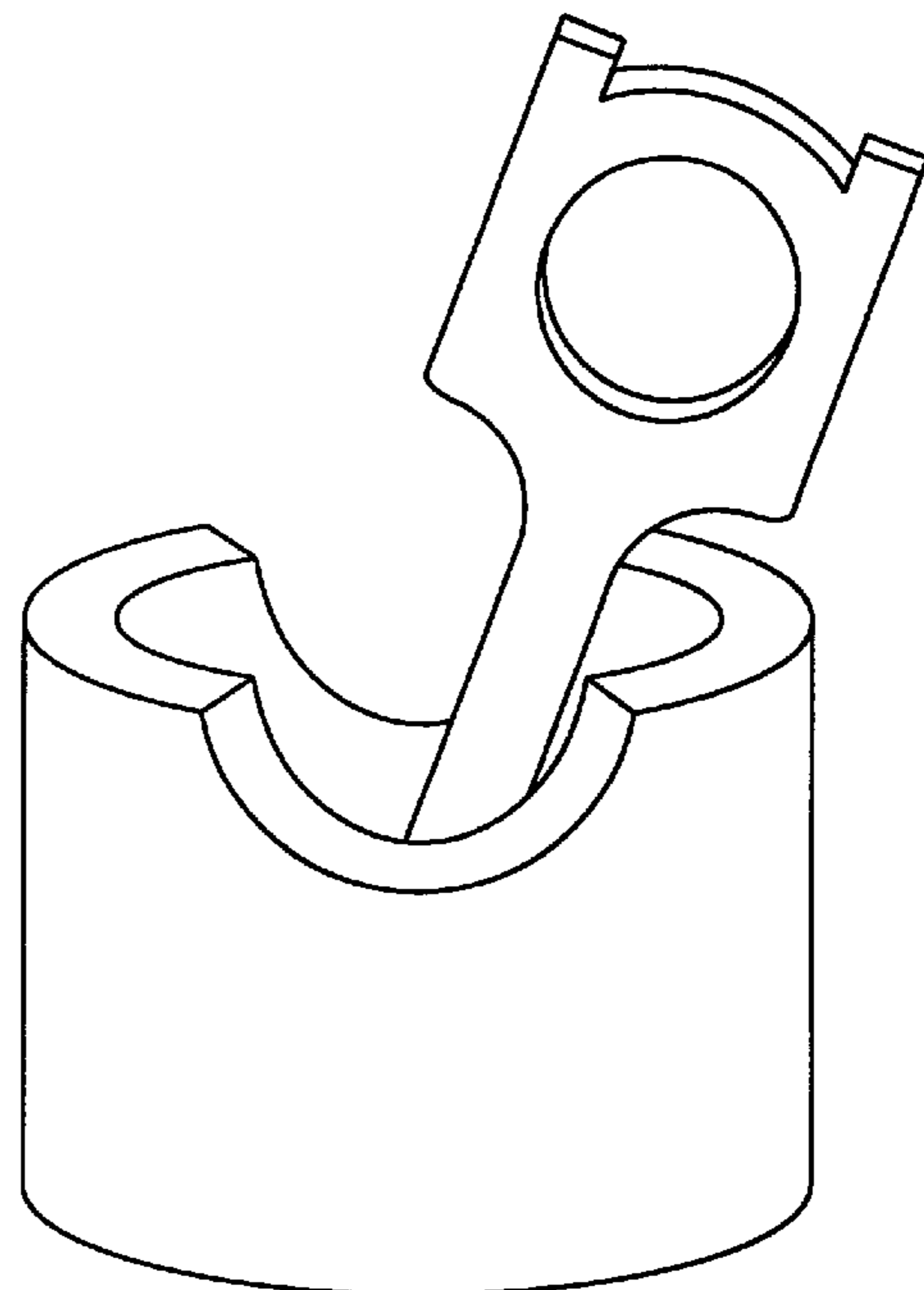


FIG. 4

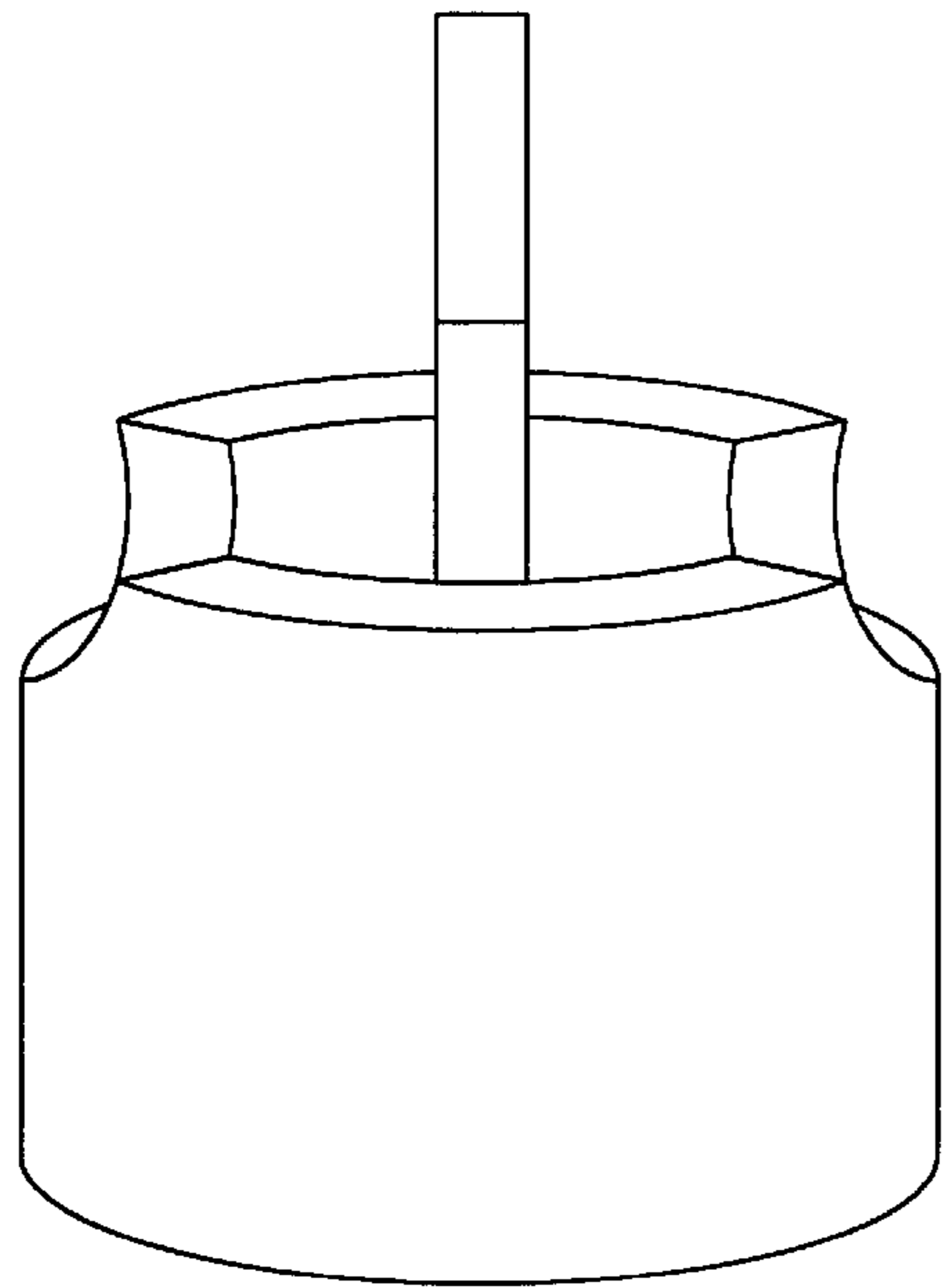


FIG. 5

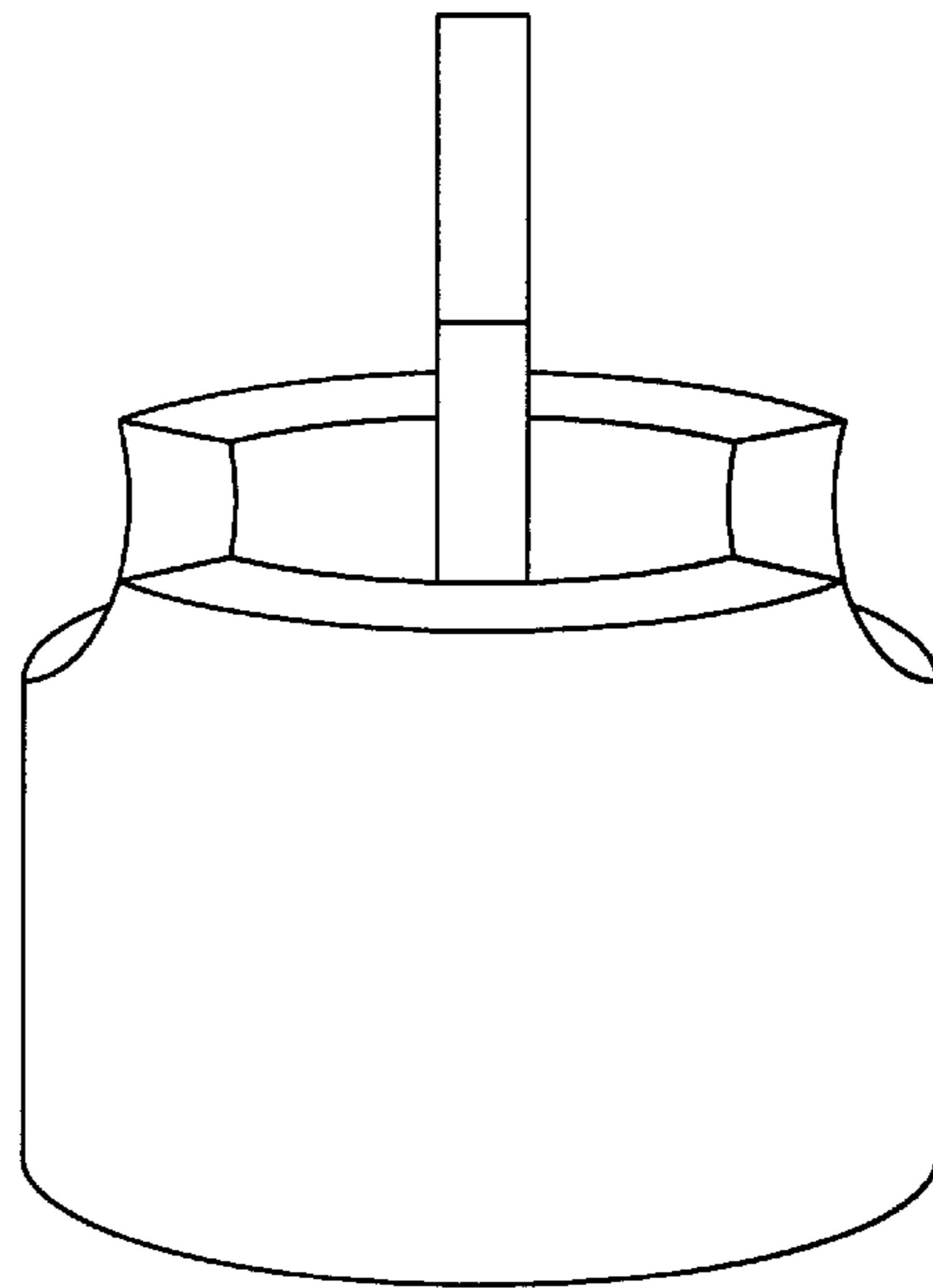


FIG. 6

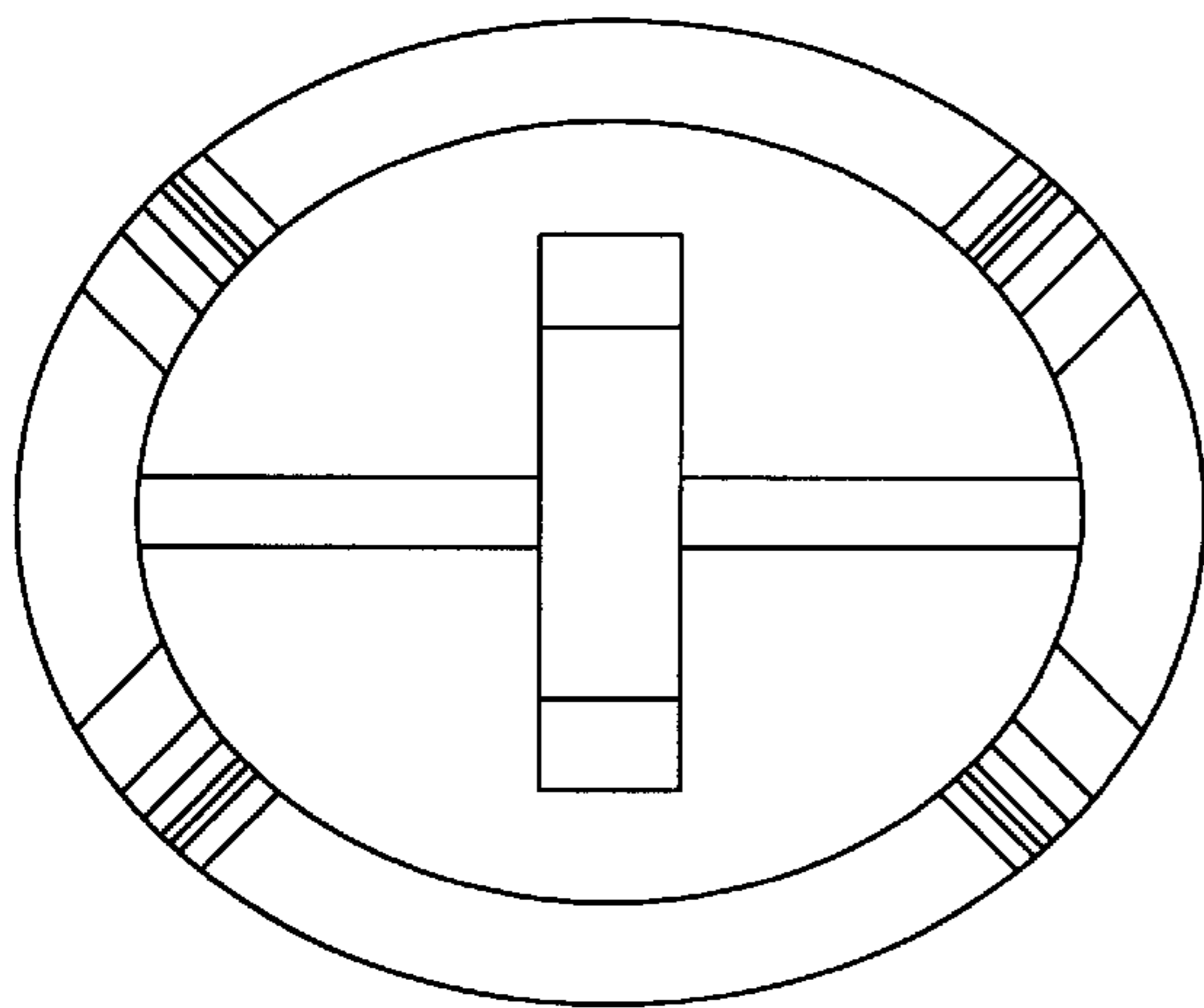


FIG. 7

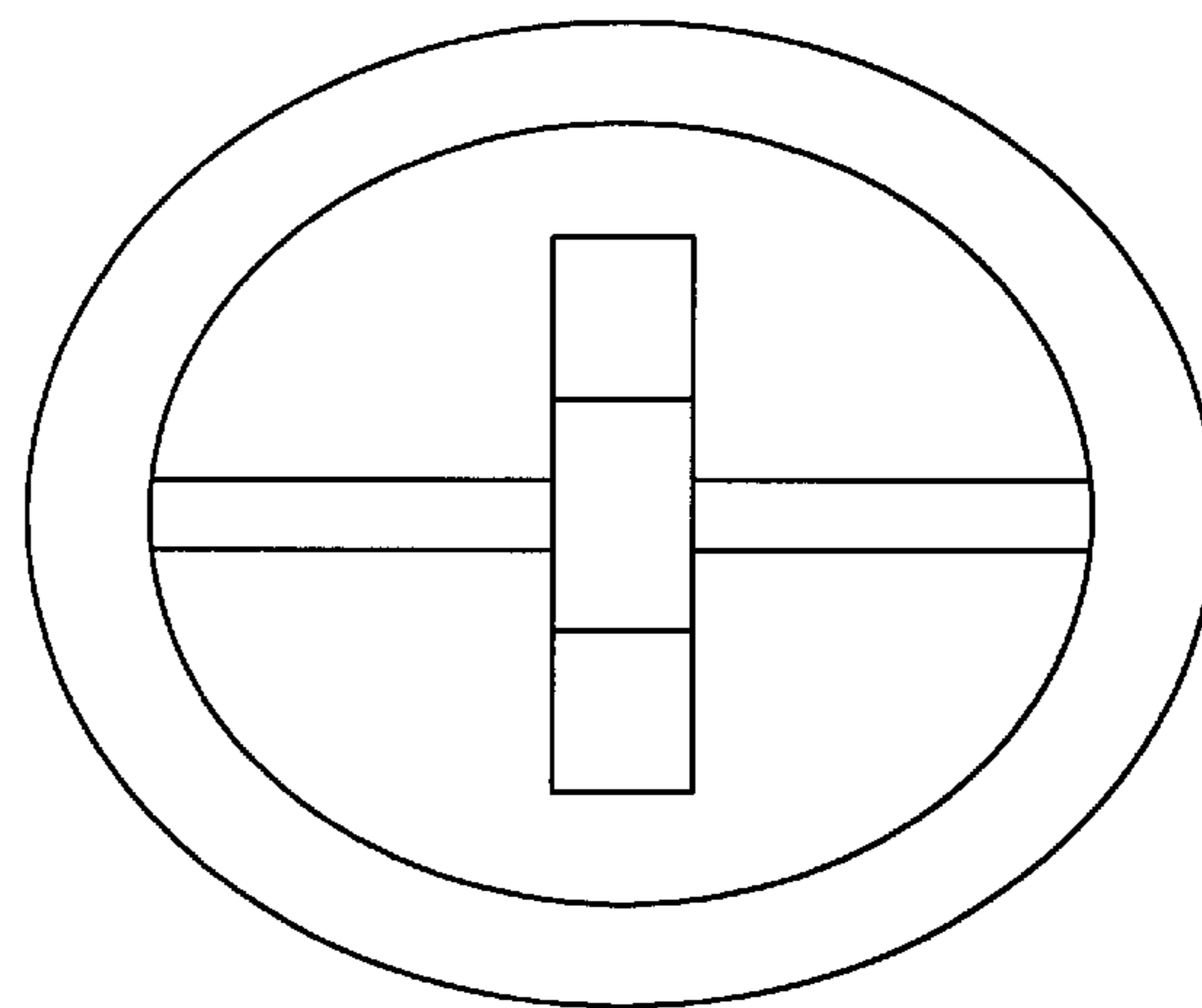


FIG. 8