

US00D542505S

(12) **United States Design Patent**
Alba

(10) **Patent No.:** **US D542,505 S**

(45) **Date of Patent:** **** May 8, 2007**

(54) **SIDE PULL HOIST RING**

(75) Inventor: **Tony J Alba**, West Covina, CA (US)

(73) Assignee: **CBC Industries, Inc.**, Pico Rivera, CA (US)

(**) Term: **14 Years**

(21) Appl. No.: **29/246,607**

(22) Filed: **Apr. 26, 2006**

(51) **LOC (8) Cl.** **12-05**

(52) **U.S. Cl.** **D34/35**

(58) **Field of Classification Search** D34/33,
D34/35; 294/1.1, 89; 403/78, 164, 79, 19,
403/165; 410/101, 112, 173, 174
See application file for complete search history.

(56) **References Cited**

U.S. PATENT DOCUMENTS

3,297,293	A	*	1/1967	Andrews et al.	248/499
3,404,503	A	*	10/1968	Courtois et al.	52/701
D265,173	S	*	6/1982	Brooks	D8/356
5,125,861	A		6/1992	Freeman	
5,248,176	A	*	9/1993	Fredriksson	294/1.1
D344,836	S	*	3/1994	Huffman	D34/35
5,634,734	A	*	6/1997	Schron et al.	403/78
5,732,991	A	*	3/1998	Tsui	294/89
5,743,576	A	*	4/1998	Schron et al.	294/1.1
5,775,664	A		7/1998	Martin	
5,848,815	A	*	12/1998	Tsui et al.	294/1.1
D409,895	S		5/1999	Schron, Jr. et al.	
D417,328	S	*	11/1999	Kwon	D34/35
6,039,500	A		3/2000	Kwon	
6,068,310	A		5/2000	Fuller et al.	
6,161,884	A	*	12/2000	Pearl	294/1.1
6,267,422	B1		7/2001	Alba	

6,443,514	B1		9/2002	Fuller et al.	
6,652,012	B1		11/2003	Fuller et al.	
7,114,872	B2	*	10/2006	Alba	403/78

FOREIGN PATENT DOCUMENTS

EP 0 179 733 A2 4/1986

* cited by examiner

Primary Examiner—Cynthia E. Ramirez

(74) *Attorney, Agent, or Firm*—Bruce A. Jagger

(57) **CLAIM**

The ornamental design for a side pull hoist ring, as shown and described.

DESCRIPTION

FIG. 1 is a perspective view of a side pull hoist ring in accordance with a preferred embodiment of the present invention;

FIG. 2 is a top view of a side pull hoist ring with the lifting loop extending to the rear of the body;

FIG. 3 is a bottom view of a side pull hoist ring with the lifting loop extending to the rear of the body;

FIG. 4 is a right side view of a side pull hoist ring with the lifting loop extending to the rear of the body;

FIG. 5 is a left side view of a side pull hoist ring with the lifting loop extending to the rear of the body;

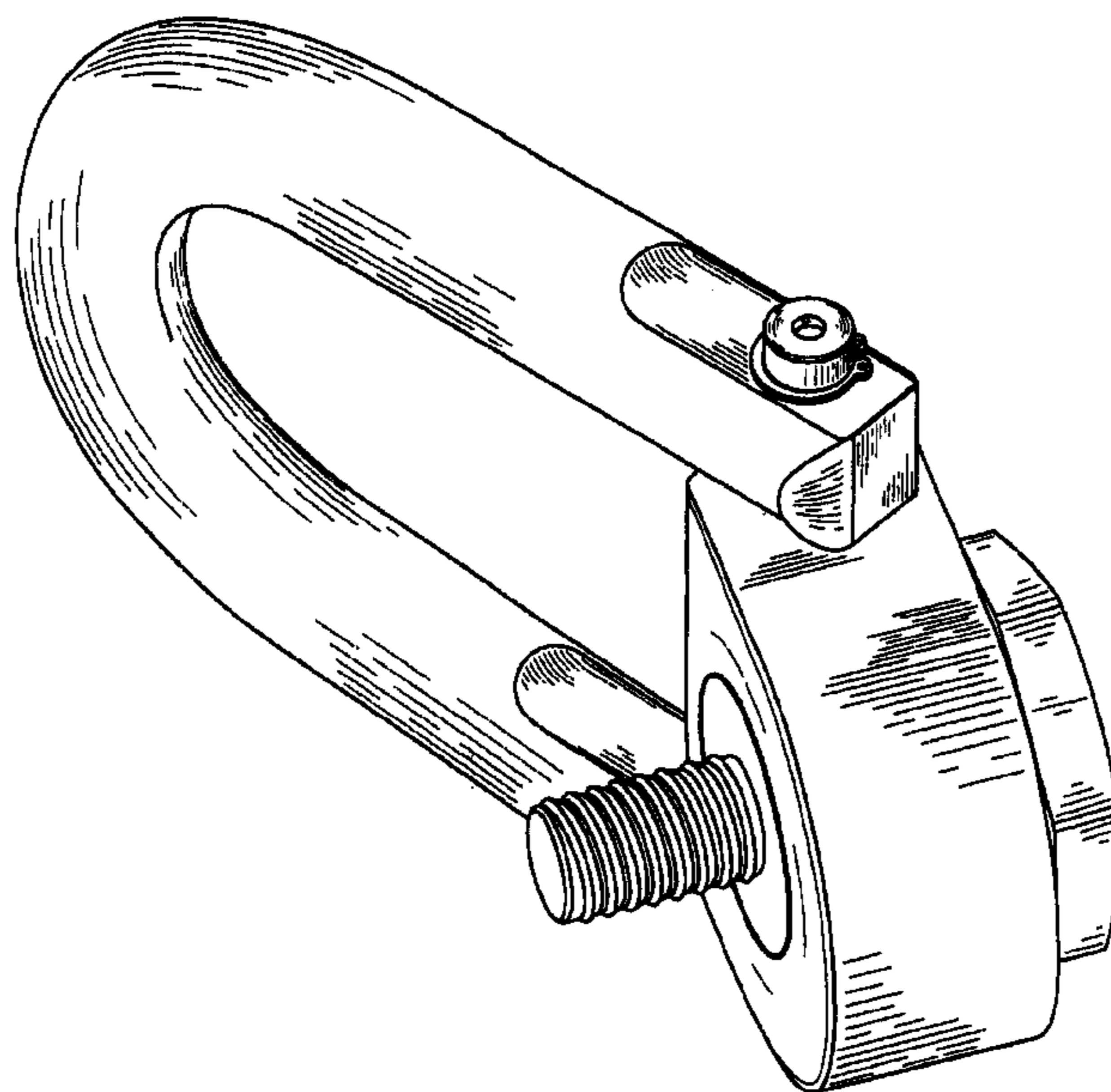
FIG. 6 is a front side view of a side pull hoist ring with the lifting loop extending to the rear of the body;

FIG. 7 is a rear view of a side pull hoist ring with the lifting loop extending to the rear of the body;

FIG. 8 is a top view of a side pull hoist ring with the lifting loop extending to the front of the body; and,

FIG. 9 is a rear view of a side pull hoist ring with the lifting loop extending to the front of the body.

1 Claim, 5 Drawing Sheets



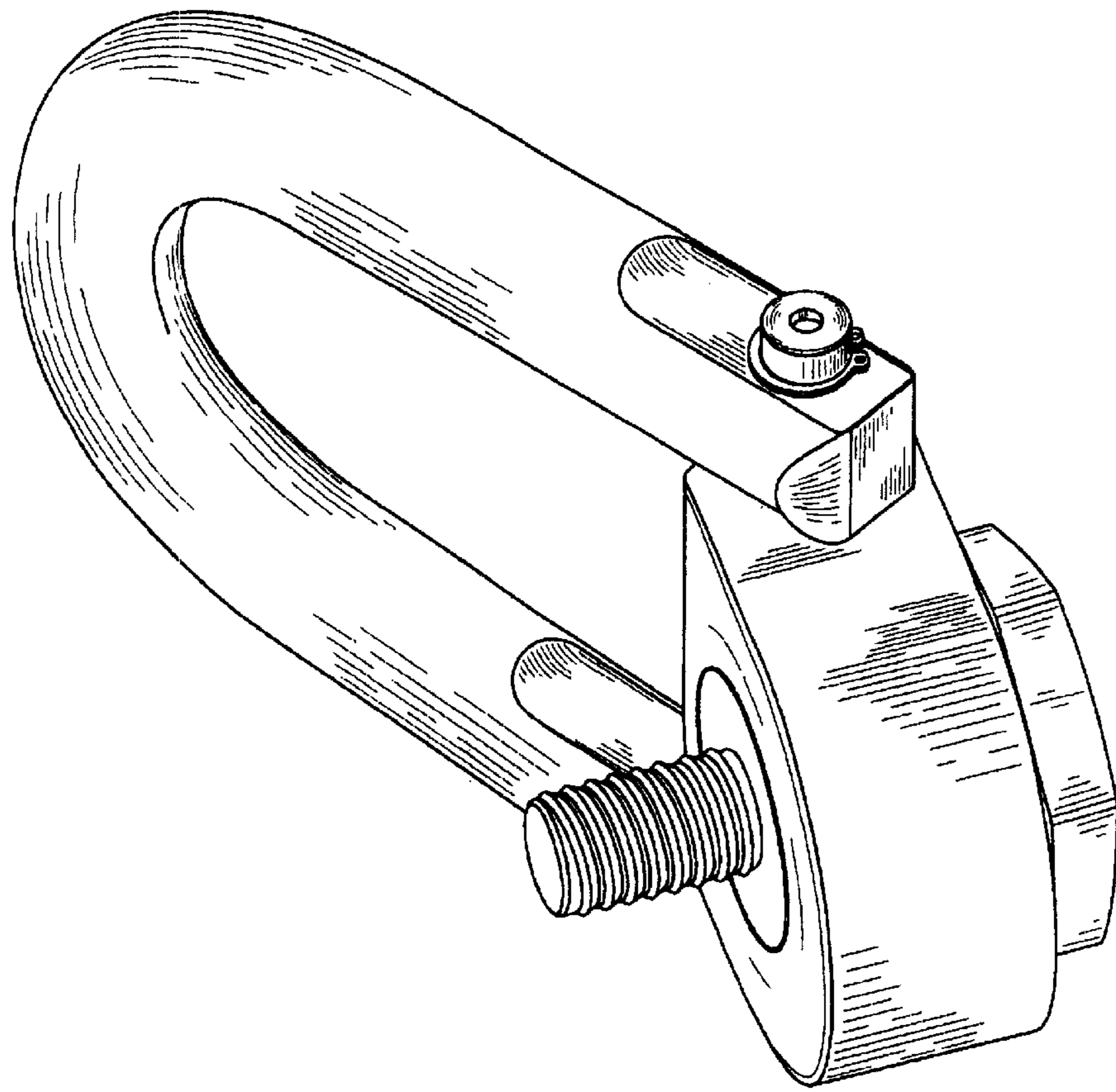


FIG. 1

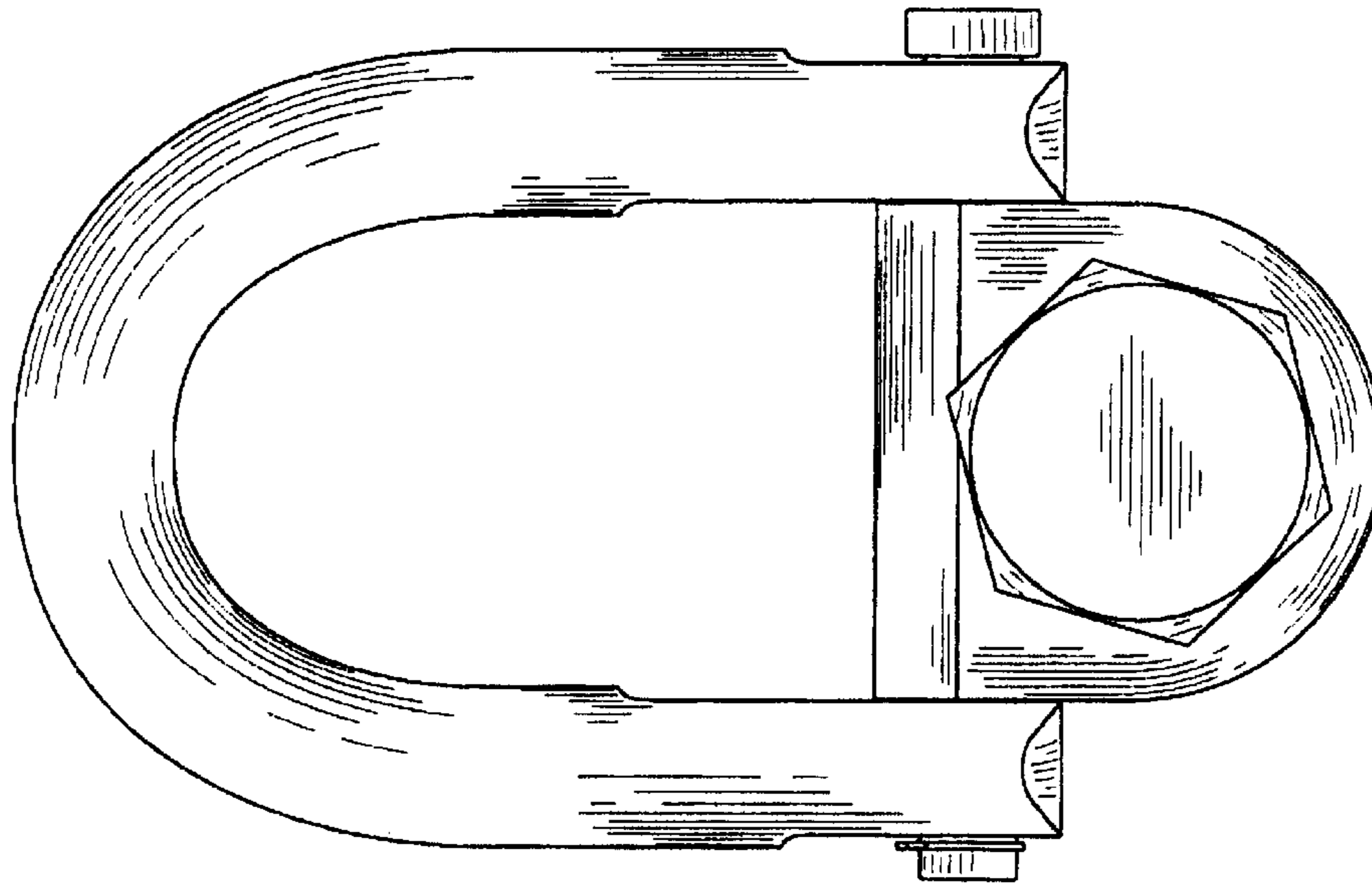


FIG. 2

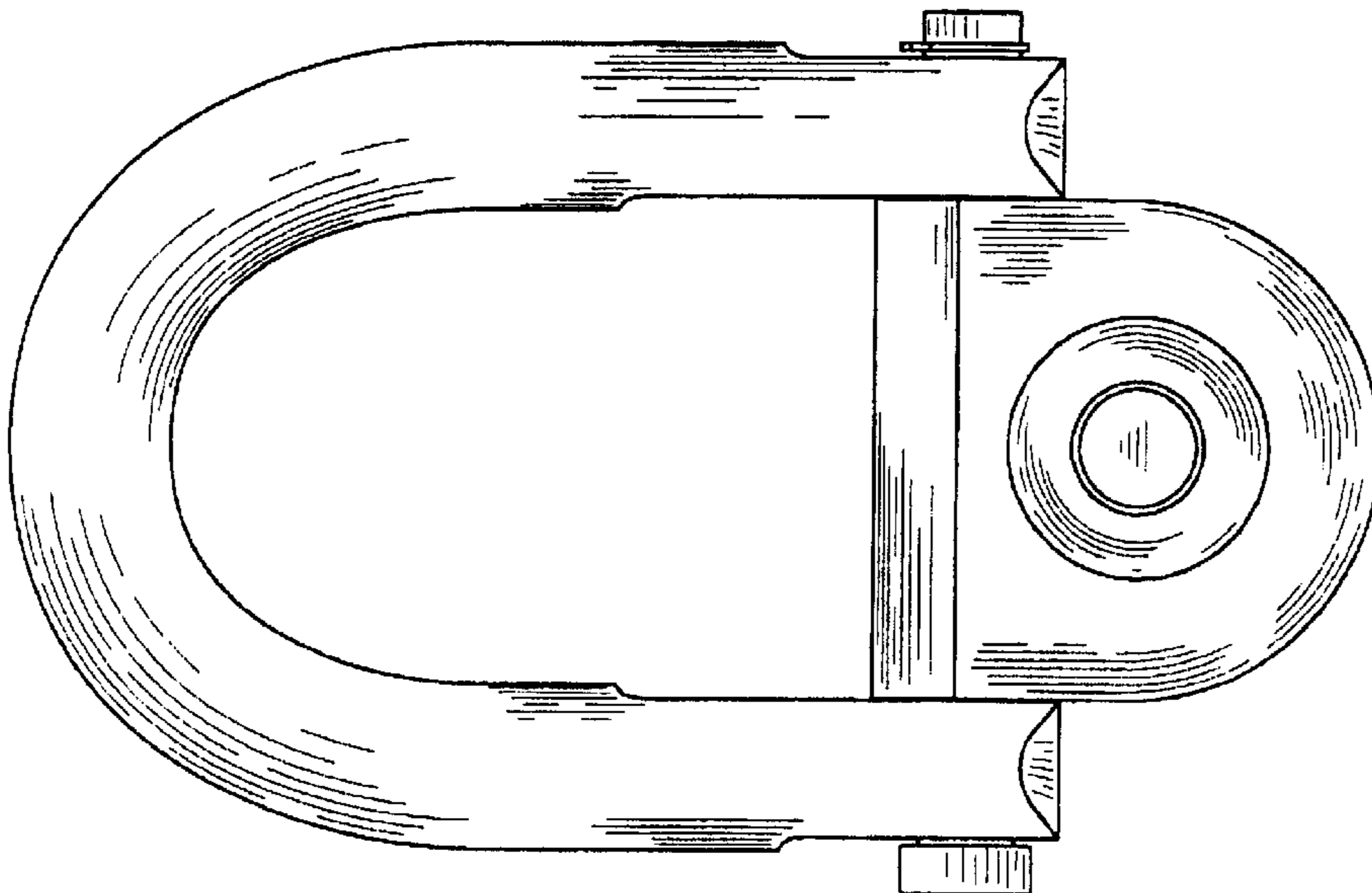


FIG. 3

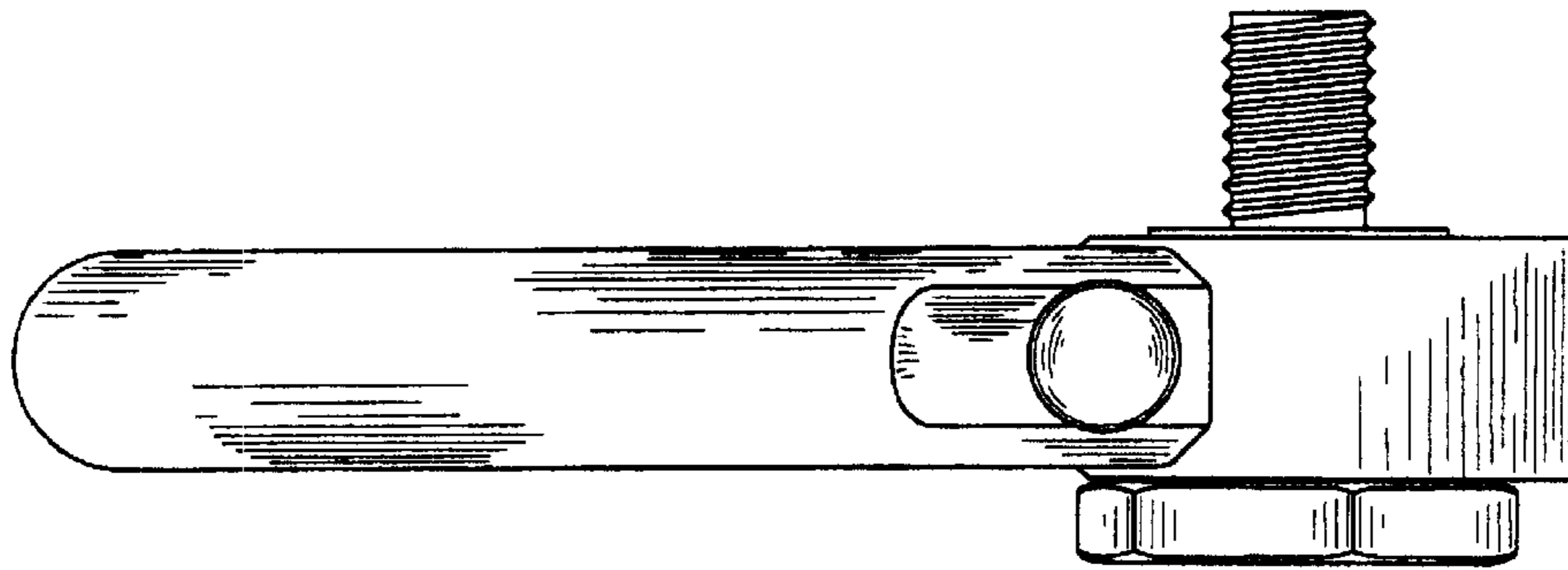


FIG. 4

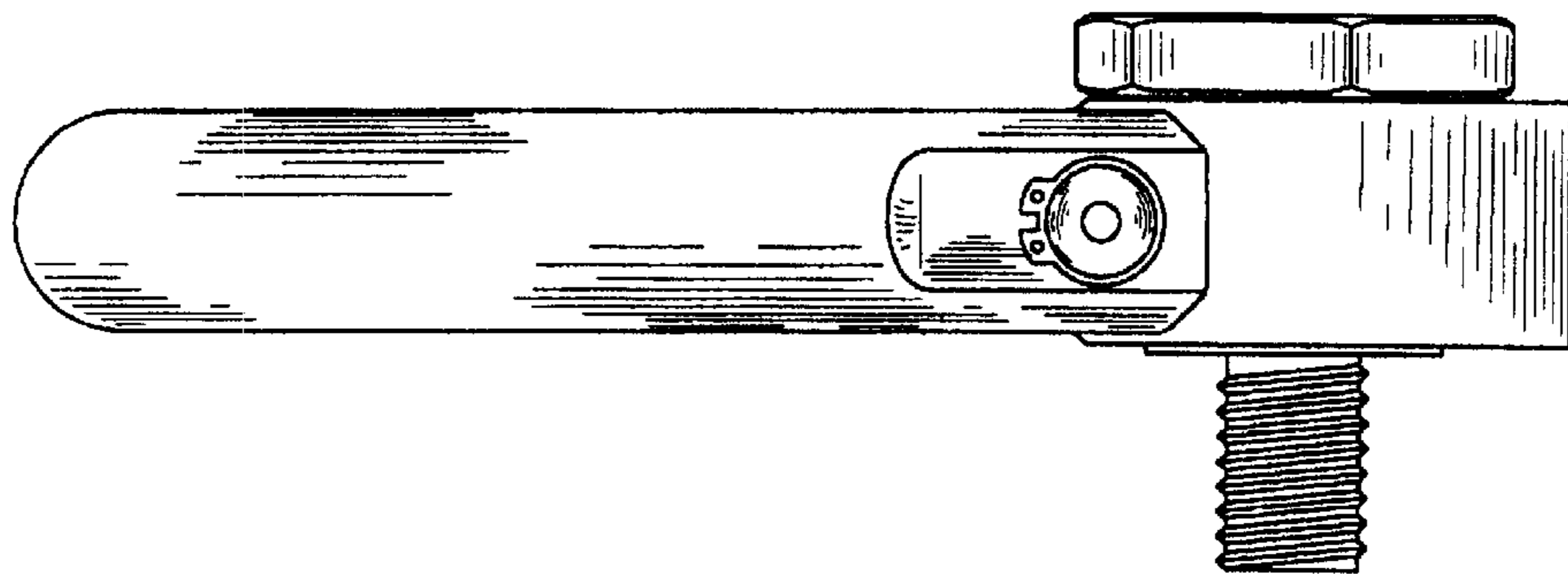


FIG. 5

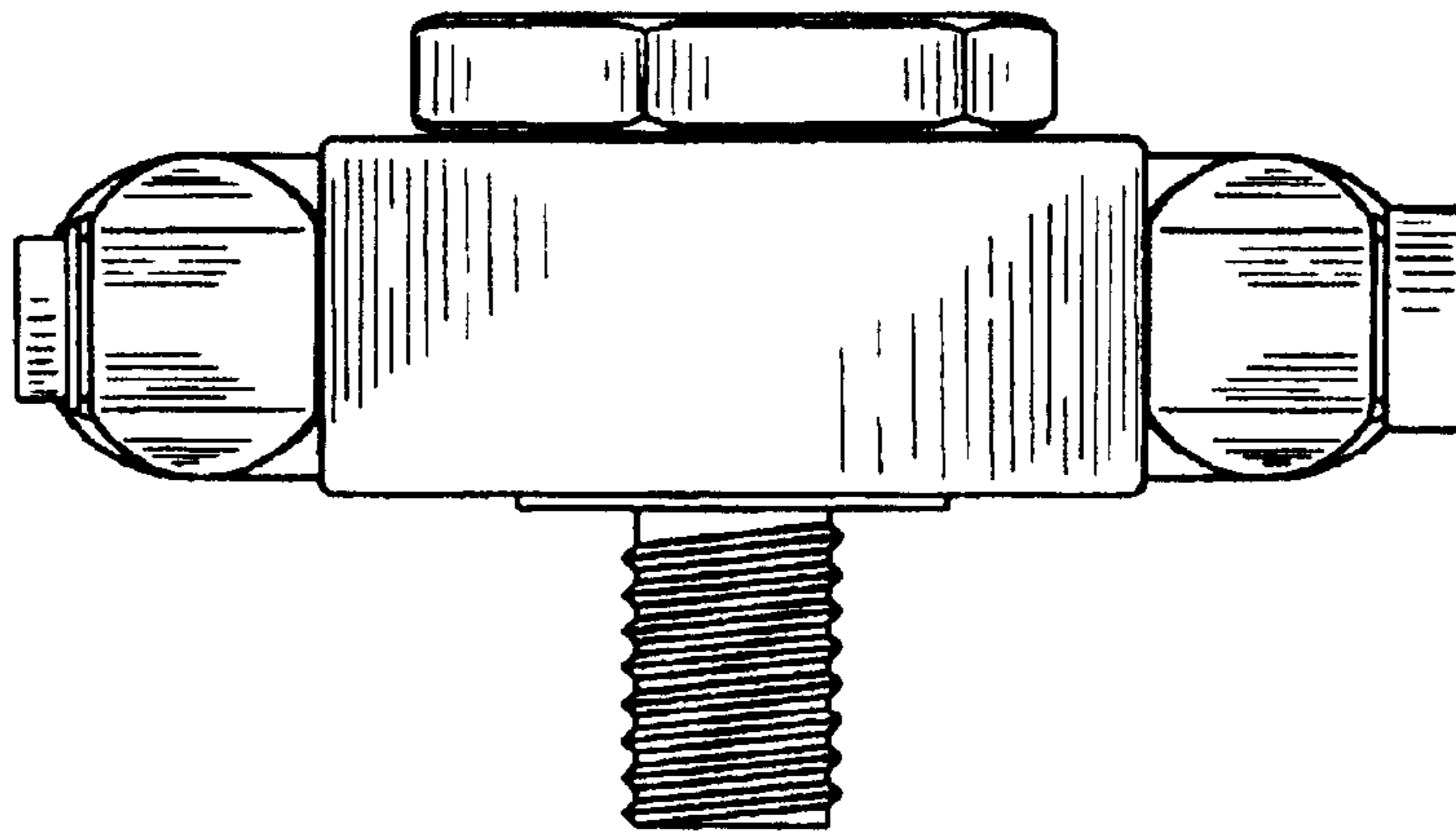


FIG. 6

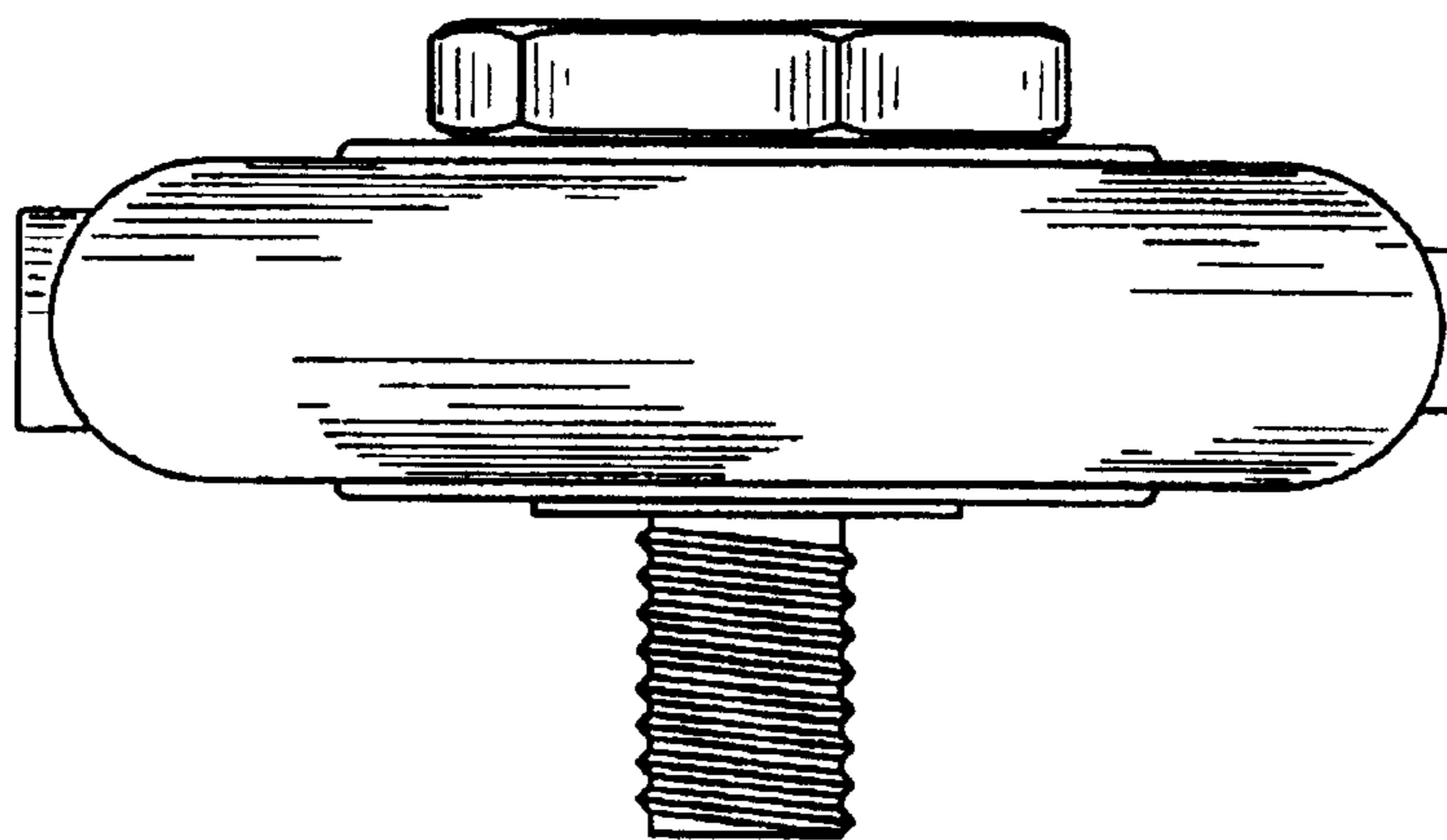


FIG. 7

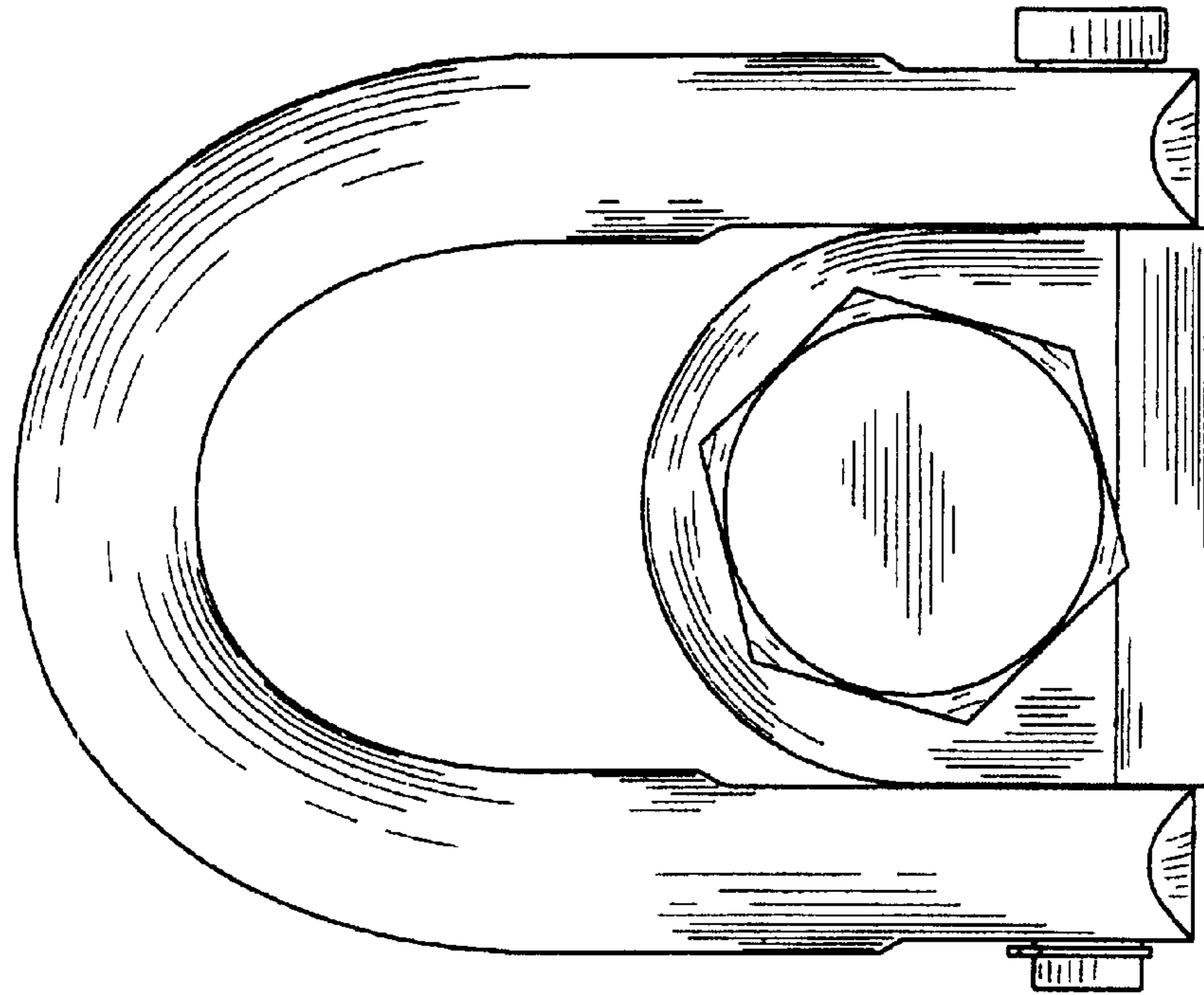


FIG. 8

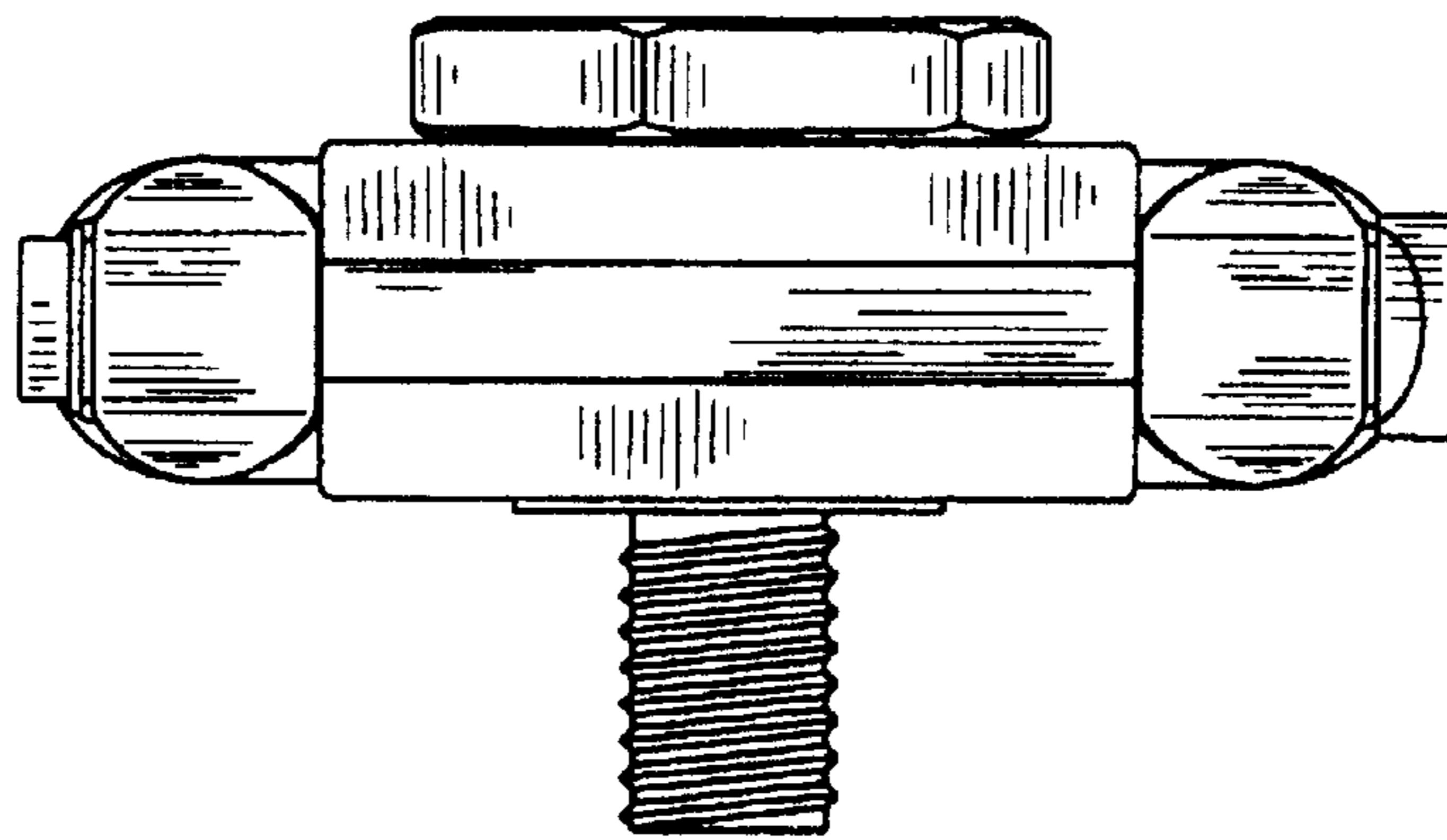


FIG. 9