



US00D542503S

(12) **United States Design Patent** (10) **Patent No.:** **US D542,503 S**  
**Righi** (45) **Date of Patent:** **\*\* May 8, 2007**

(54) **LIFT TRUCK**

(75) Inventor: **Vanni Righi**, Correggio (IT)

(73) Assignee: **Cesab Carelli Elevatori S.p.A.**,  
Bologna (IT)

(\*\*) Term: **14 Years**

(21) Appl. No.: **29/256,409**

(22) Filed: **Mar. 21, 2006**

(30) **Foreign Application Priority Data**

Sep. 22, 2005 (EM) ..... 000404660

(51) **LOC (8) Cl.** ..... **12-05**

(52) **U.S. Cl.** ..... **D34/34**

(58) **Field of Classification Search** ..... D34/34;  
180/89.12, 89.13, 89.17; 187/222, 237  
See application file for complete search history.

(56) **References Cited**

**U.S. PATENT DOCUMENTS**

- D353,931 S \* 12/1994 Kobayakawa et al. .... D34/34
- D361,645 S \* 8/1995 Heiler ..... D34/34
- D362,099 S \* 9/1995 Heiler ..... D34/34
- D374,752 S \* 10/1996 Lee et al. .... D34/34
- D376,242 S \* 12/1996 Jung et al. .... D34/34

- D389,981 S \* 1/1998 Donaldson ..... D34/34
- D395,115 S \* 6/1998 Russey et al. .... D34/34
- D411,681 S \* 6/1999 Murakami et al. .... D34/34
- D412,385 S \* 7/1999 Murakami et al. .... D34/34
- D432,753 S \* 10/2000 Braud ..... D34/34
- D441,936 S \* 5/2001 Brandt et al. .... D34/28
- D448,136 S \* 9/2001 Yurushi et al. .... D34/34
- D469,236 S \* 1/2003 Mitsuyoshi et al. .... D34/34

\* cited by examiner

*Primary Examiner*—Cynthia E. Ramirez

(74) *Attorney, Agent, or Firm*—Nixon & Vanderhye, P.C.

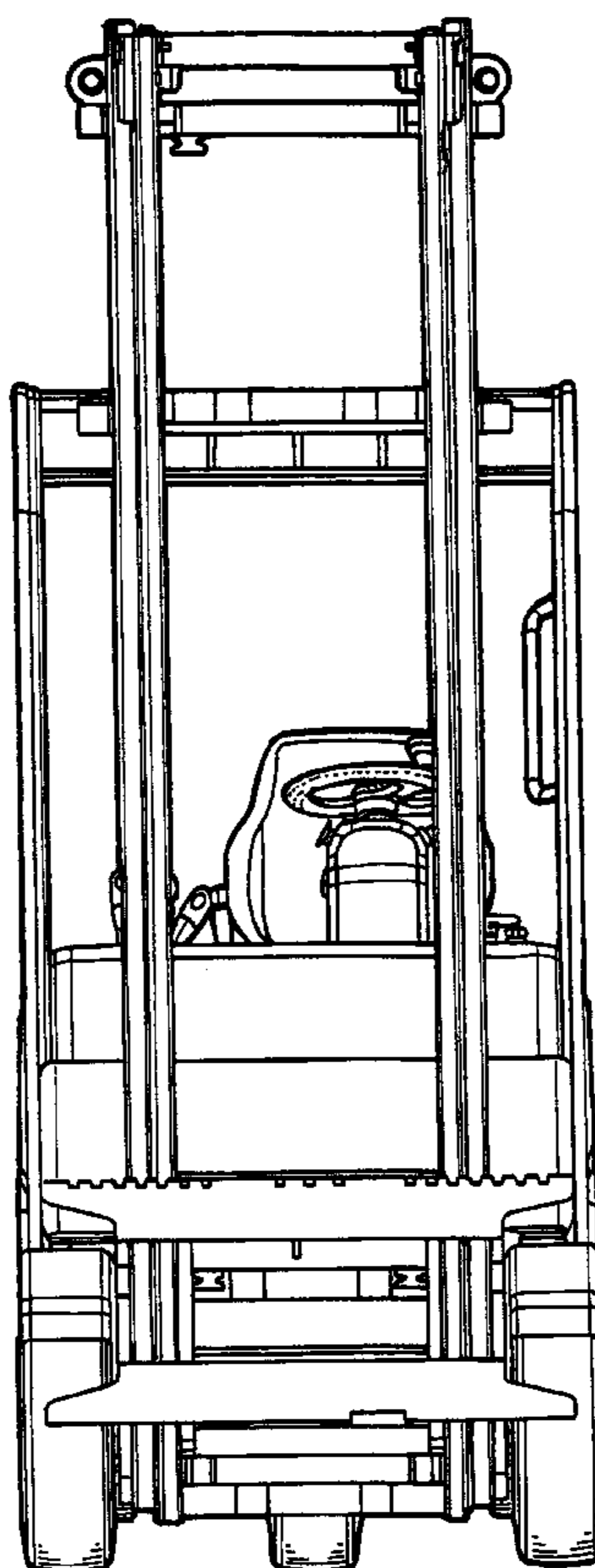
(57) **CLAIM**

The ornamental design for a “lift truck,” as shown and described.

**DESCRIPTION**

FIG. 1 is a front view of a lift truck of my design;  
 FIG. 2 is a left-side view;  
 FIG. 3 is a rear top perspective view;  
 FIG. 4 is a front top perspective view;  
 FIG. 5 is a rear view;  
 FIG. 6 is a right-side view;  
 FIG. 7 is an enlarged top view; and,  
 FIG. 8 is an enlarged bottom view.

**1 Claim, 8 Drawing Sheets**



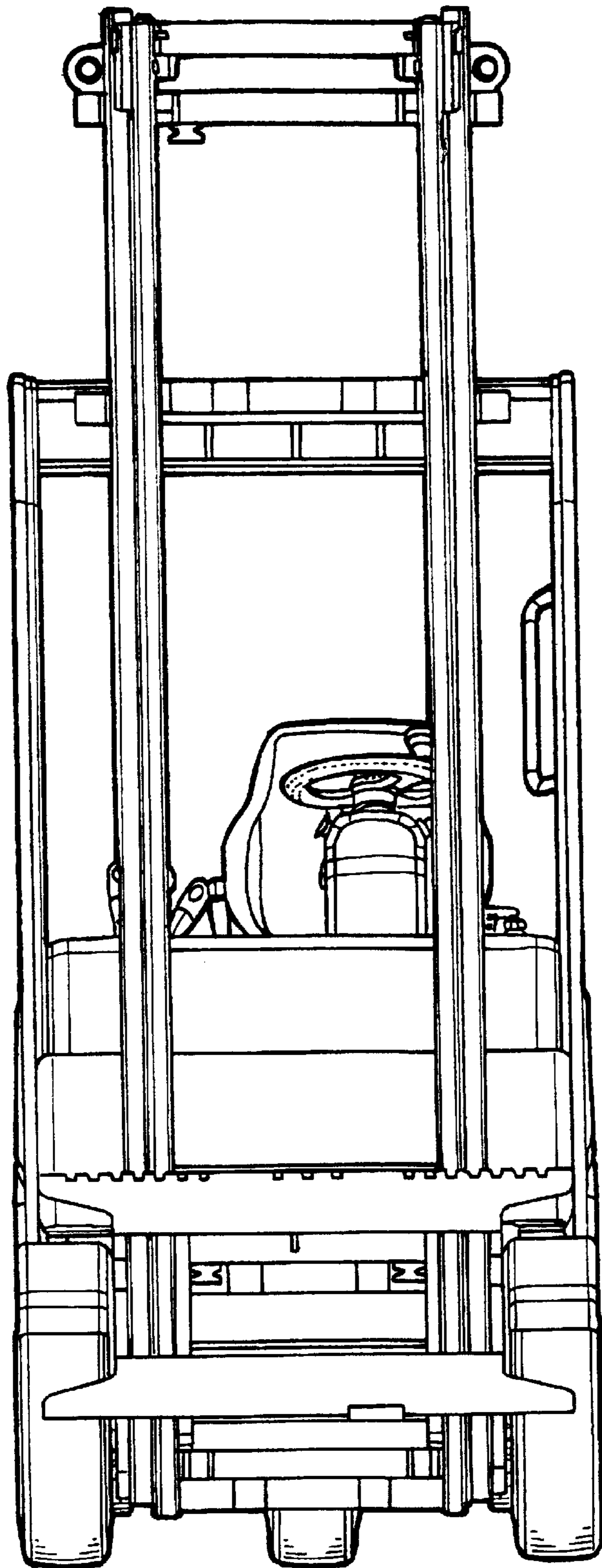


Fig. 1

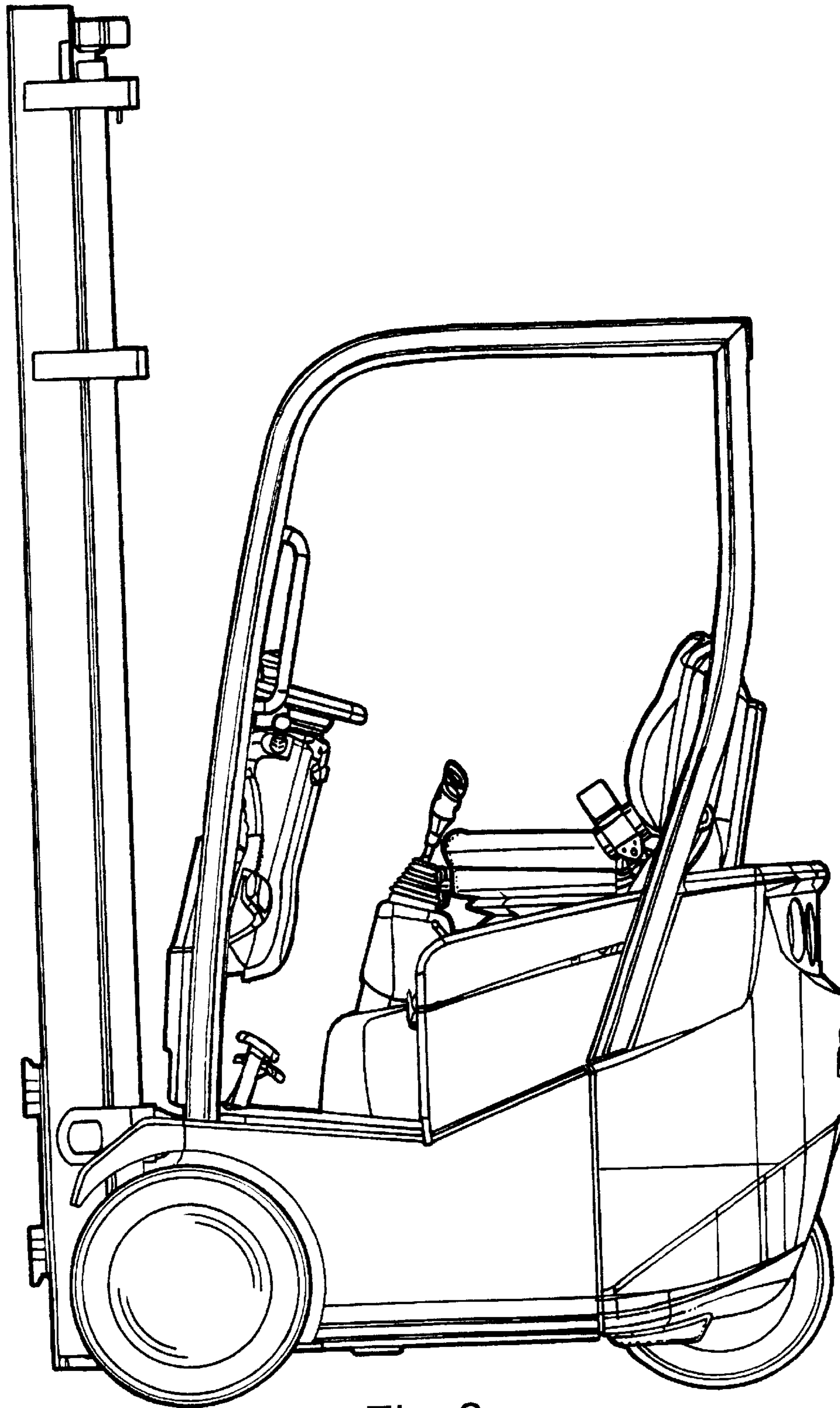


Fig. 2

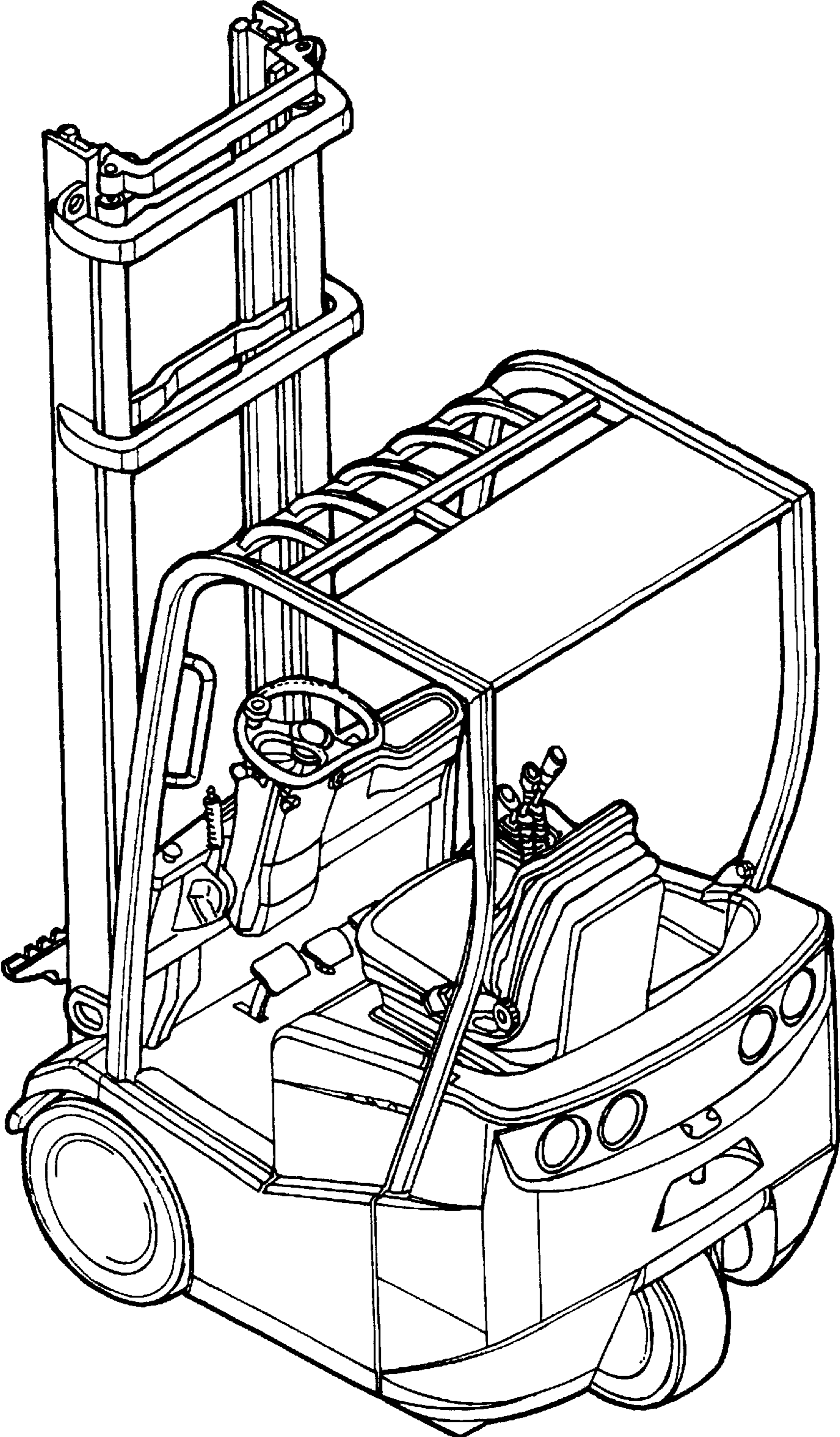


Fig. 3



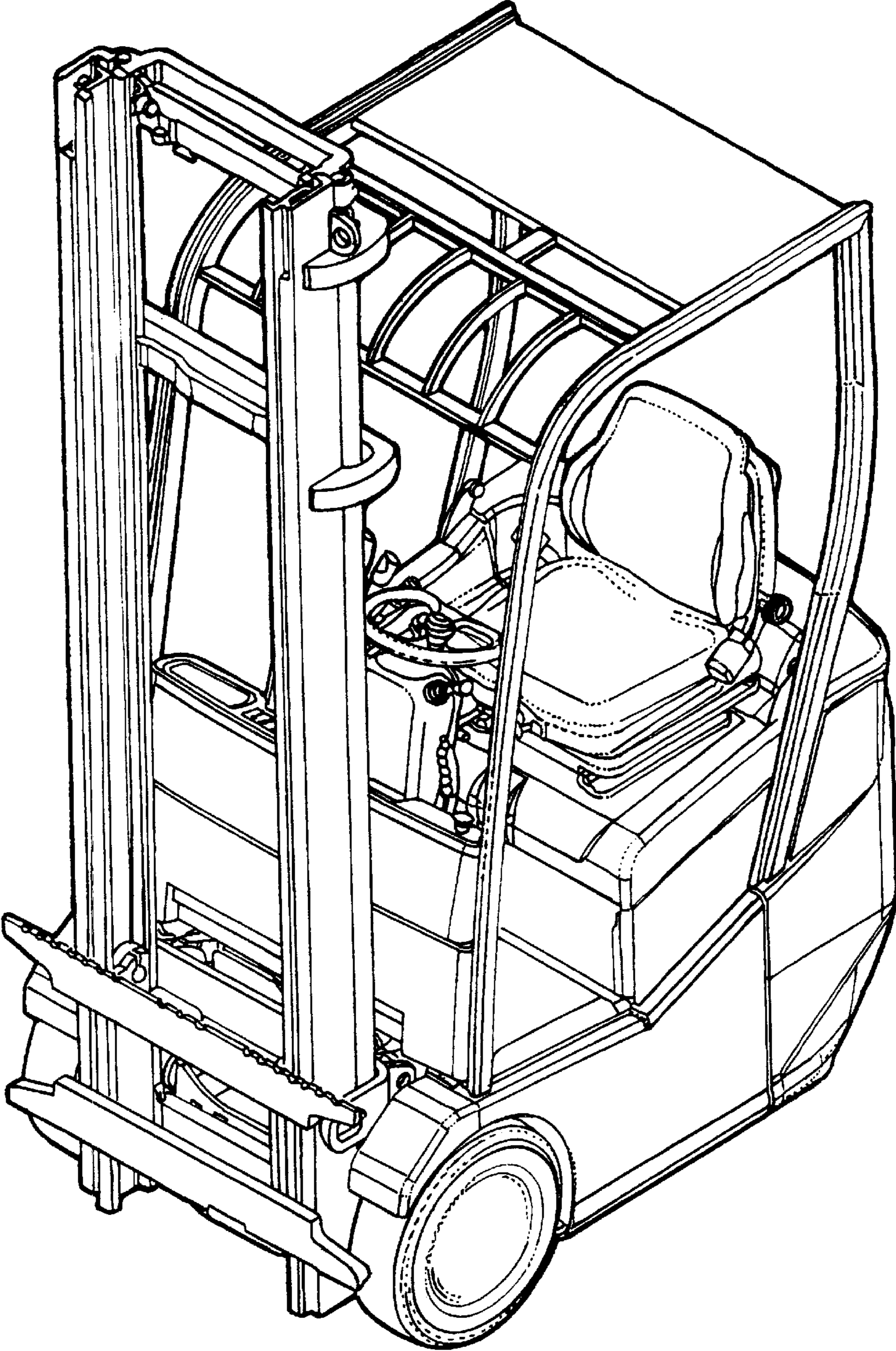


Fig. 4

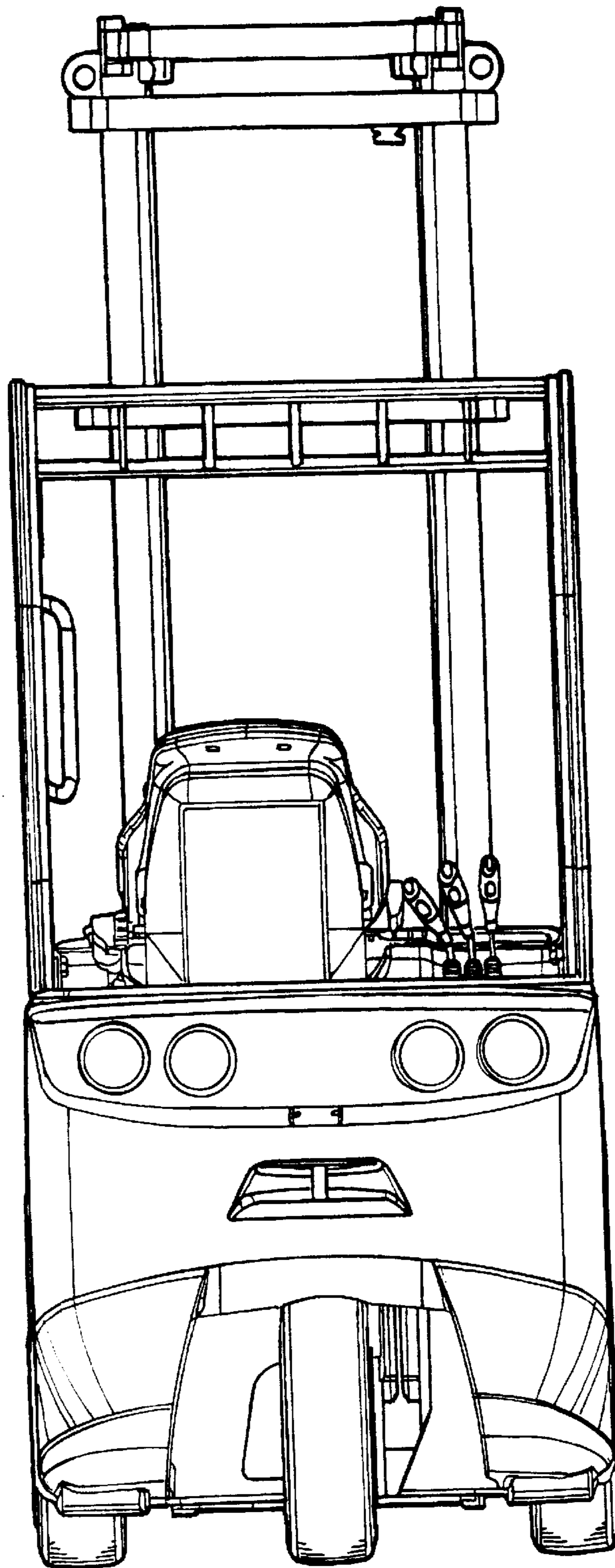


Fig. 5

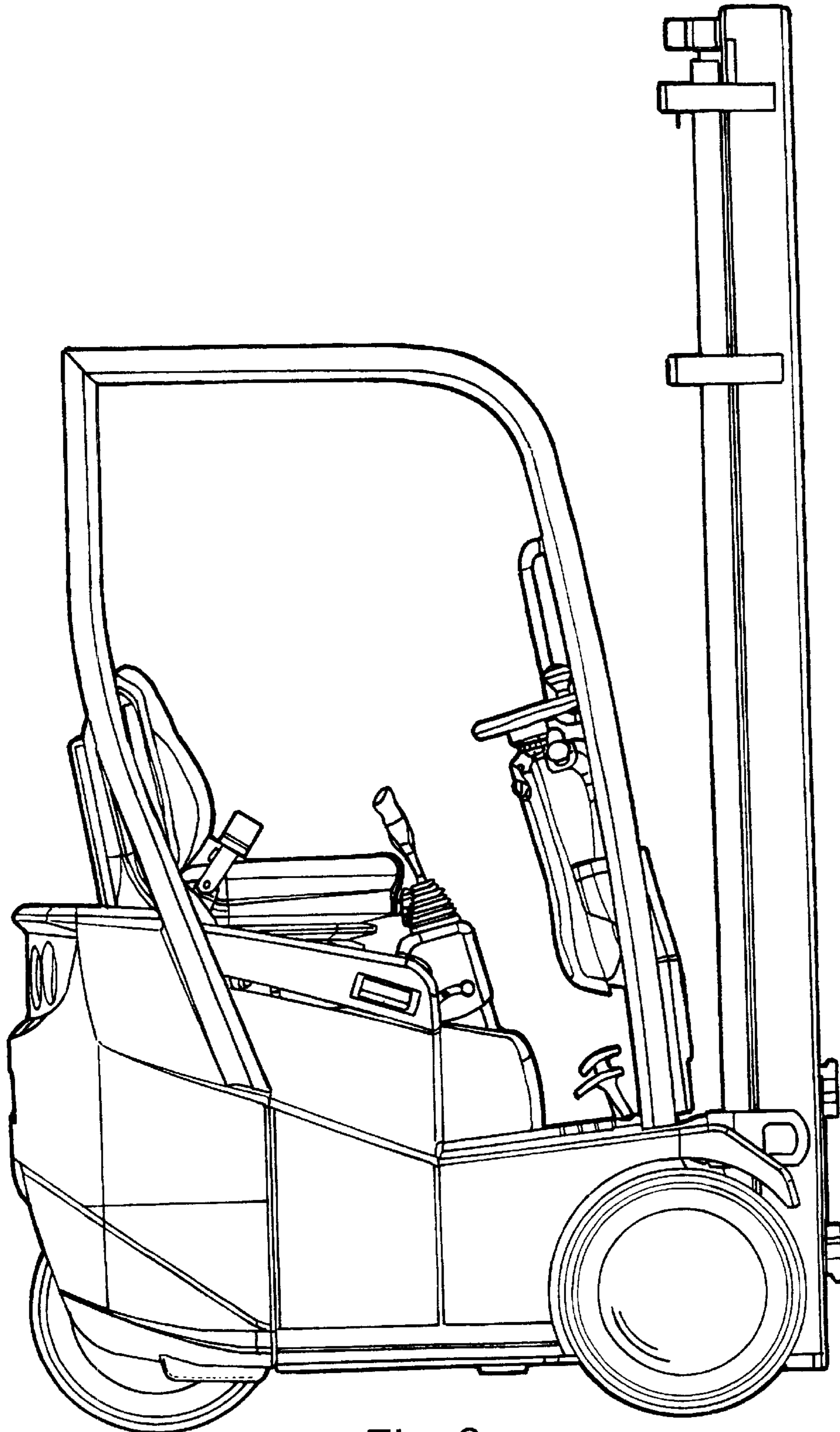


Fig. 6

Fig. 7

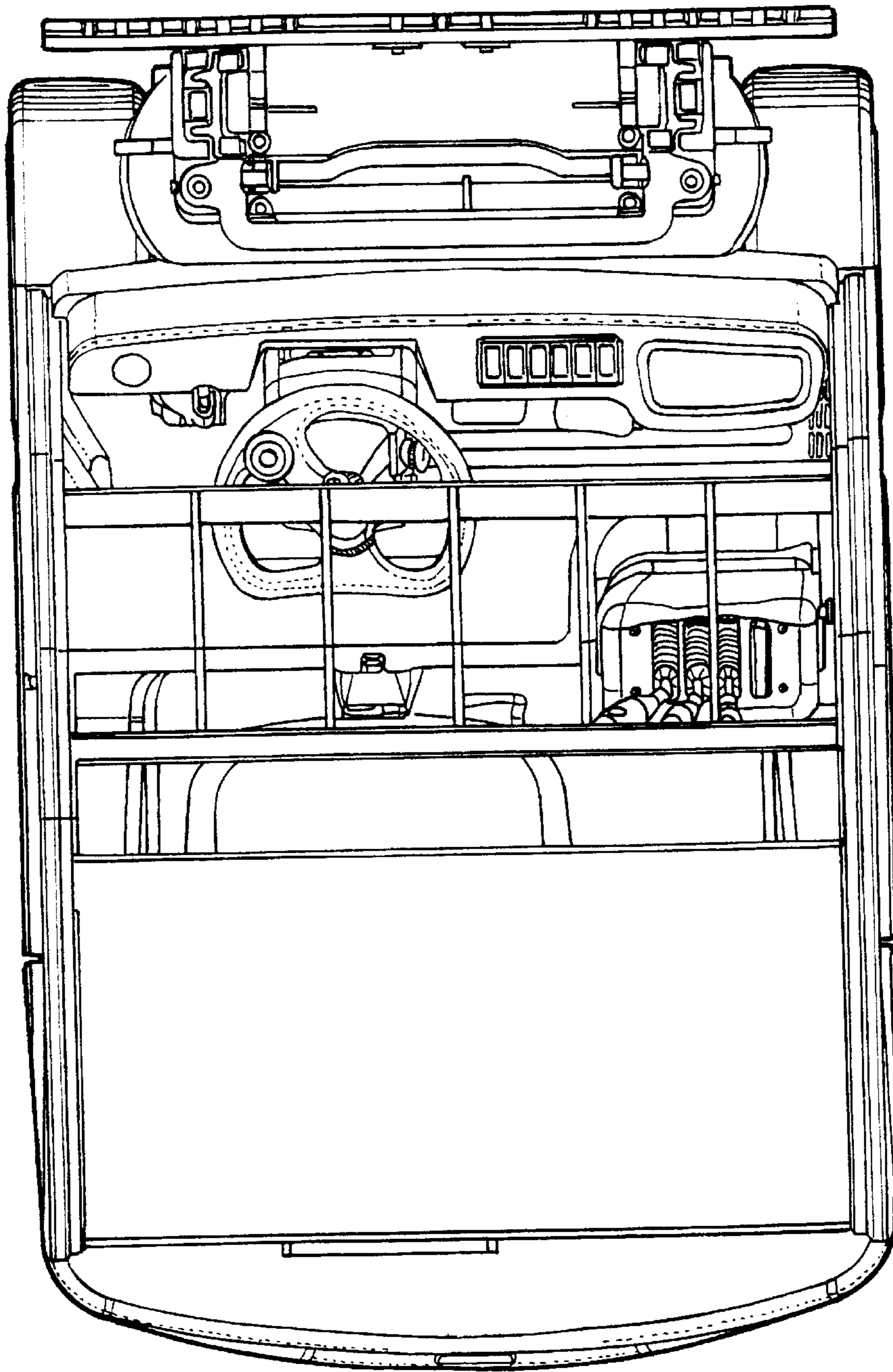




Fig. 8

