



US00D542501S

(12) **United States Design Patent**
Lopez

(10) **Patent No.:** **US D542,501 S**

(45) **Date of Patent:** **** May 8, 2007**

(54) **PIÑATA HOISTING DEVICE**

(76) **Inventor:** **Gerardo Lopez**, 413 Royal Oak Dr.,
Murphy, TX (US) 75094

(**) **Term:** **14 Years**

(21) **Appl. No.:** **29/241,199**

(22) **Filed:** **Oct. 26, 2005**

(51) **LOC (8) Cl.** **12-05**

(52) **U.S. Cl.** **D34/33**

(58) **Field of Classification Search** D34/28,
D34/33; 248/125.8, 332, 325; 212/179, 171,
212/294, 175, 299, 300; 452/187, 189, 125,
452/185

See application file for complete search history.

(56) **References Cited**

U.S. PATENT DOCUMENTS

| | | | | | | |
|-----------|---|---|---------|----------------|-------|---------|
| 3,181,707 | A | * | 5/1965 | Janssen | | 212/202 |
| 3,792,658 | A | * | 2/1974 | Shore et al. | | 101/247 |
| 3,952,893 | A | * | 4/1976 | Kolesar | | 414/462 |
| 3,983,658 | A | | 10/1976 | de Sanz | | |
| 4,269,410 | A | * | 5/1981 | Martin | | 473/418 |
| 4,787,872 | A | | 11/1988 | Bajo | | |
| 4,832,337 | A | * | 5/1989 | Estrada | | 273/440 |
| 5,083,395 | A | * | 1/1992 | Daniels | | 43/27.4 |
| D349,996 | S | * | 8/1994 | Litwiller | | D34/33 |
| 5,445,487 | A | * | 8/1995 | Koscinski, Jr. | | 414/543 |
| D376,885 | S | * | 12/1996 | Carey et al. | | D34/28 |

| | | | | | | |
|-----------|----|---|---------|-----------------|-------|-----------|
| 5,588,907 | A | * | 12/1996 | DePietro et al. | | 452/187 |
| D419,743 | S | * | 1/2000 | Carrillo | | D34/33 |
| 6,158,588 | A | | 12/2000 | Conti | | |
| 6,412,736 | B1 | | 7/2002 | Zaragoza | | |
| 6,685,146 | B1 | * | 2/2004 | Sanchez, Jr. | | 248/125.7 |
| 6,978,974 | B1 | * | 12/2005 | Marasco | | 248/124.1 |

* cited by examiner

Primary Examiner—Cynthia E. Ramirez

(74) *Attorney, Agent, or Firm*—Donald R. Schoonover

(57) **CLAIM**

I claim the ornamental design for a piñata hoisting device, as shown and described.

DESCRIPTION

FIG. 1 is a perspective view of a piñata hoisting device showing my new design;

FIG. 2 is an end elevational view thereof;

FIG. 3 is a side elevational view thereof, the elevational view of the opposing side being a mirror image thereof;

FIG. 4 is an elevational view of the opposing end thereof;

FIG. 5 is a top plan view thereof;

FIG. 6 is a bottom plan view thereof; and,

FIG. 7 is a perspective view showing the piñata hoisting device in use; the broken lines depict environmental structure for illustrative purposes only and form no part of the claimed design.

1 Claim, 2 Drawing Sheets

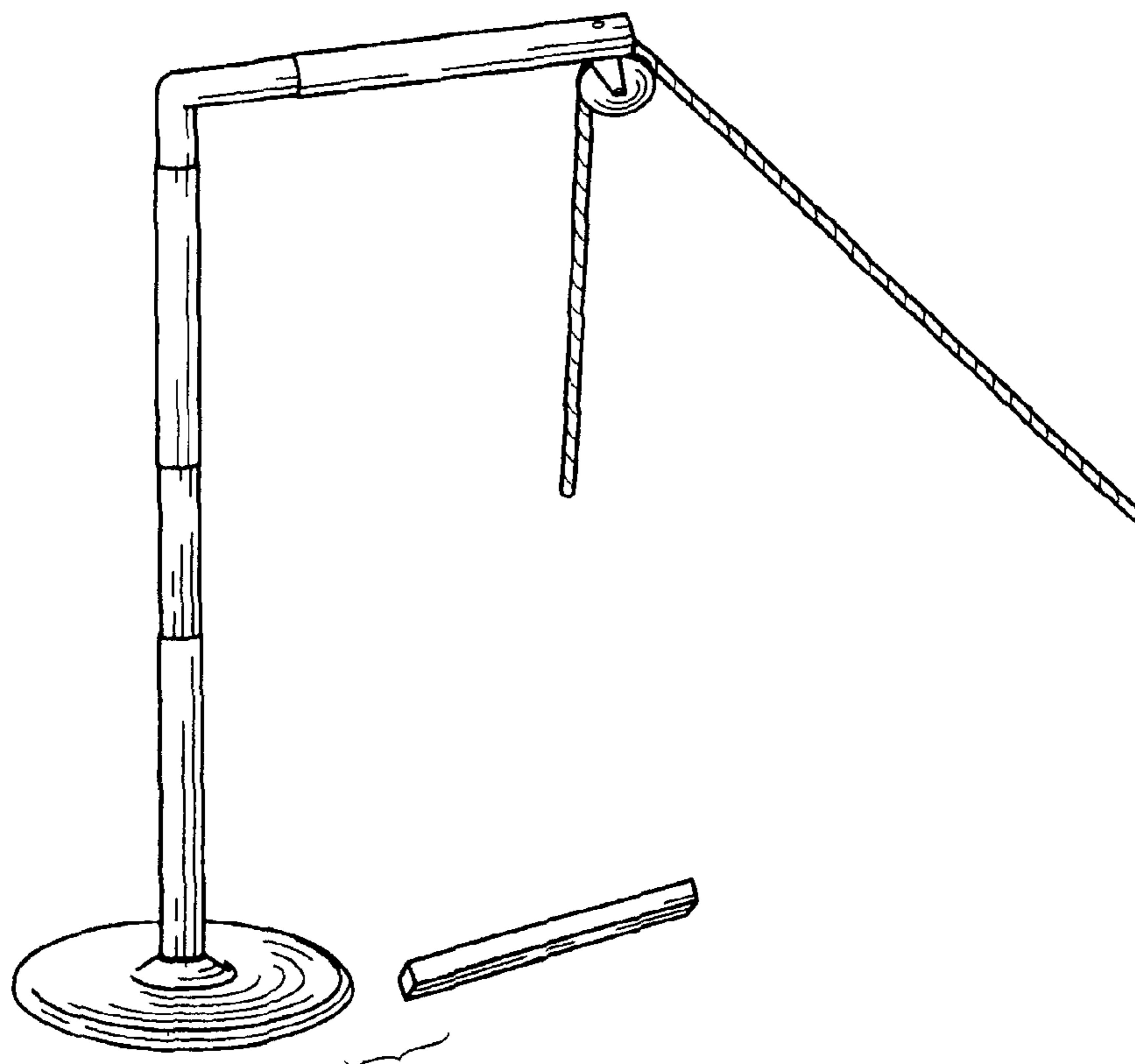


Fig. 1

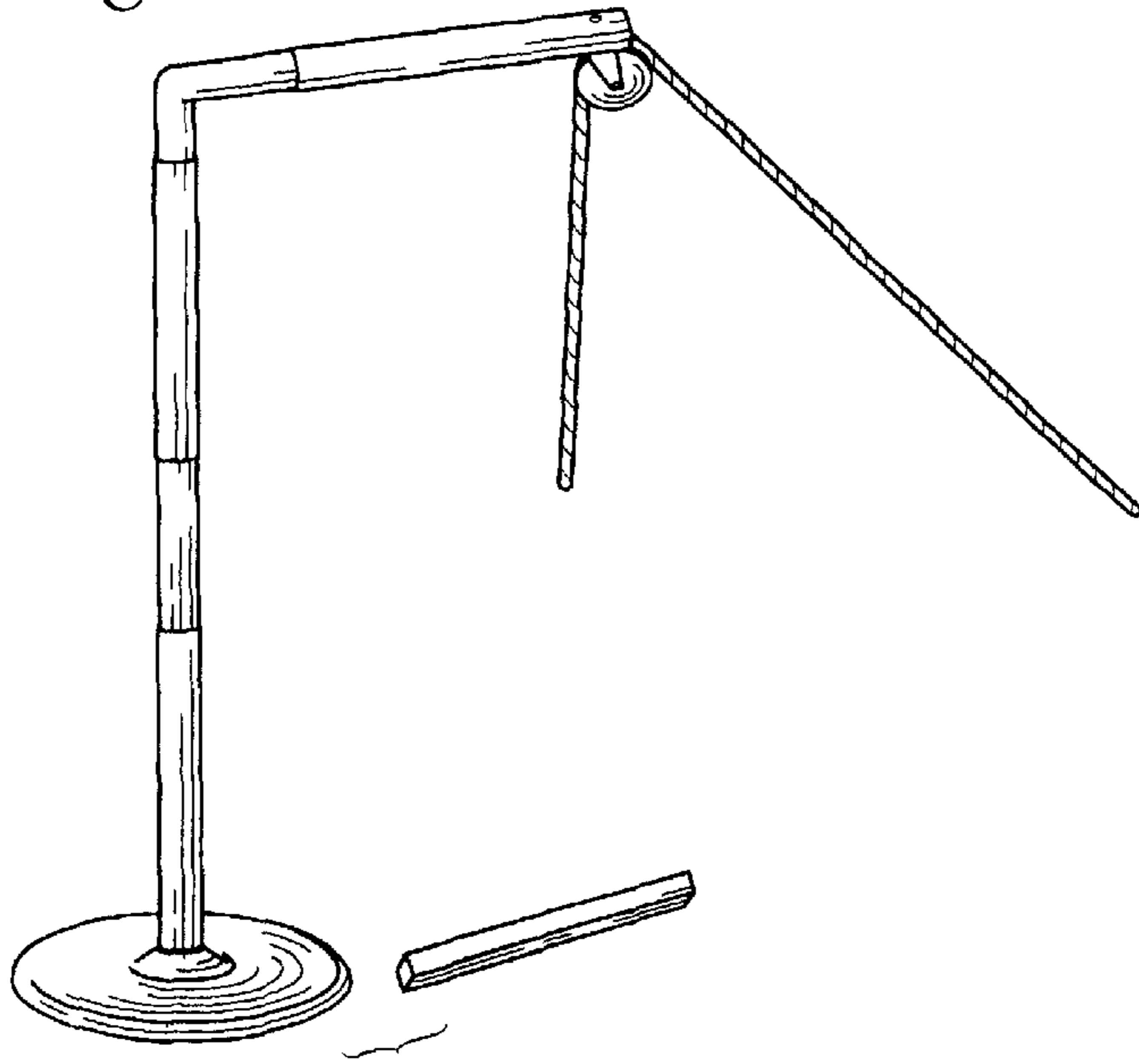


Fig. 2

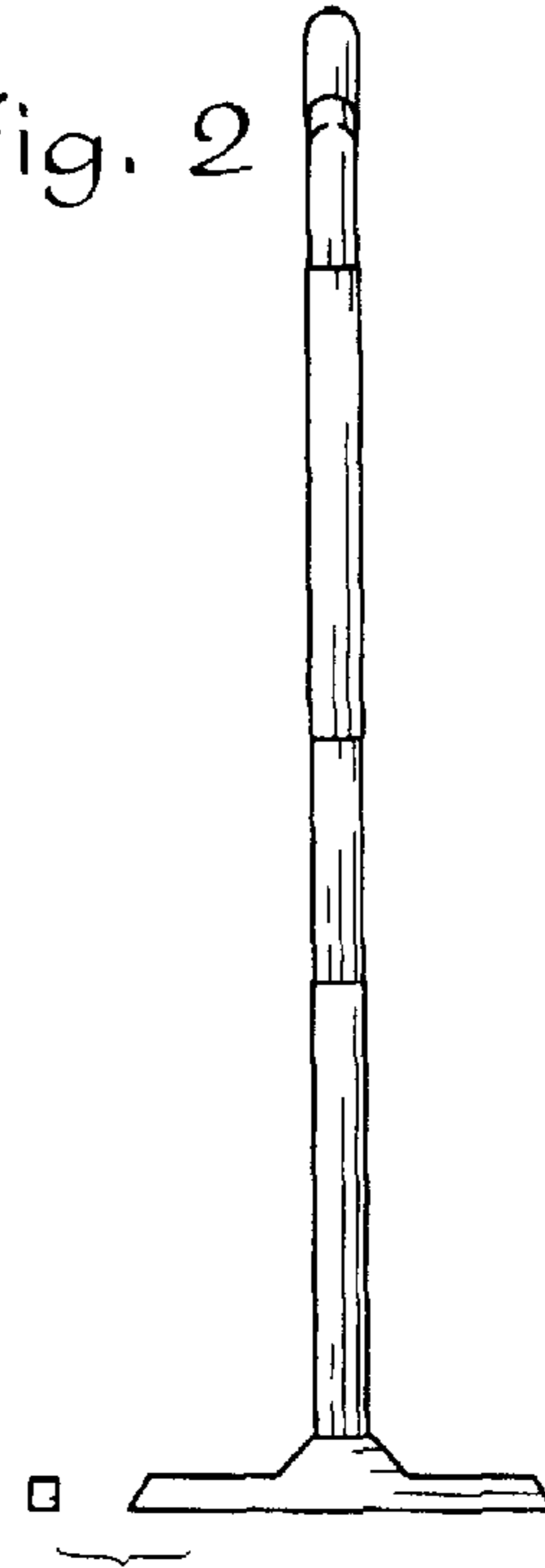


Fig. 3

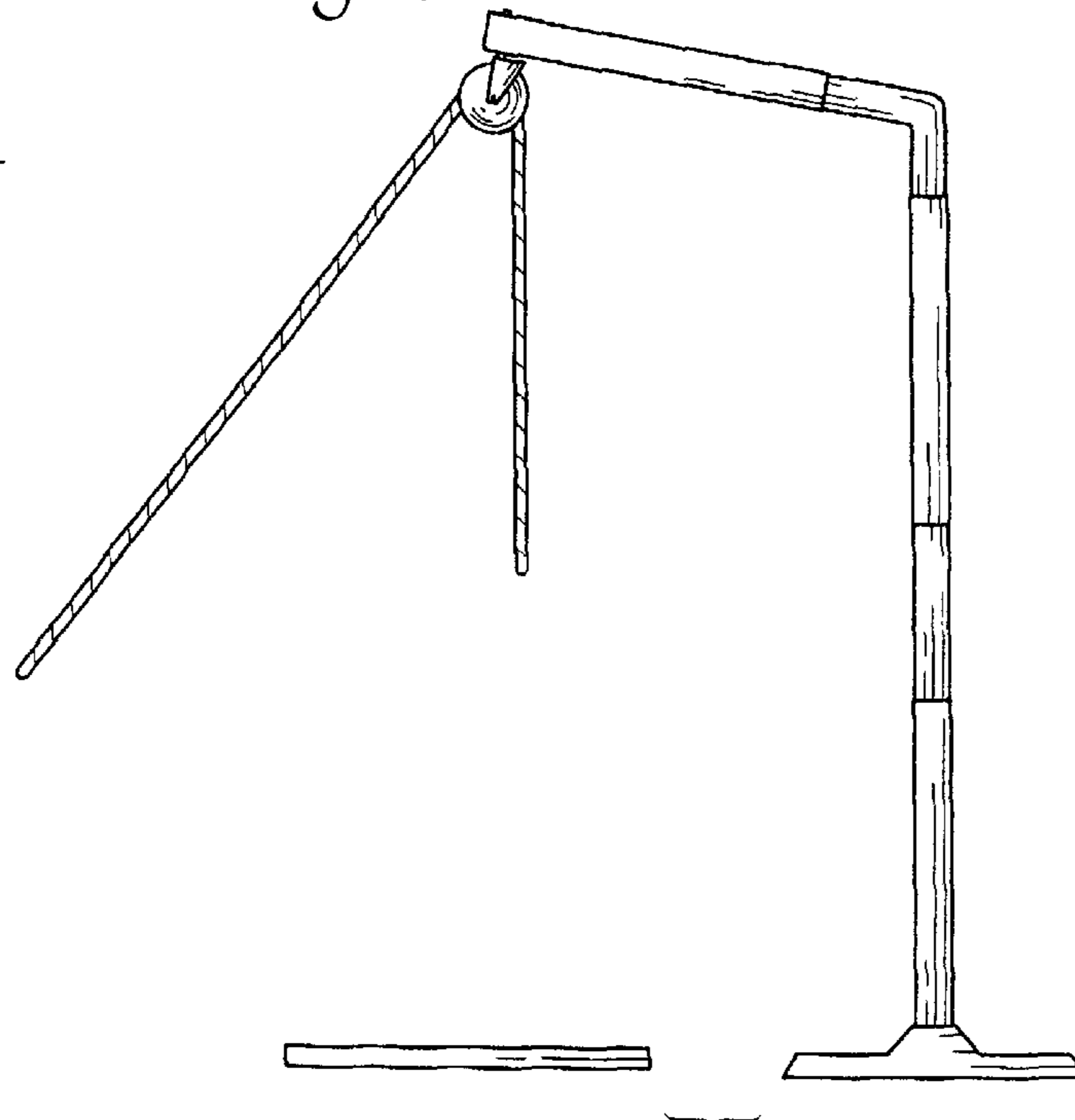


Fig. 4

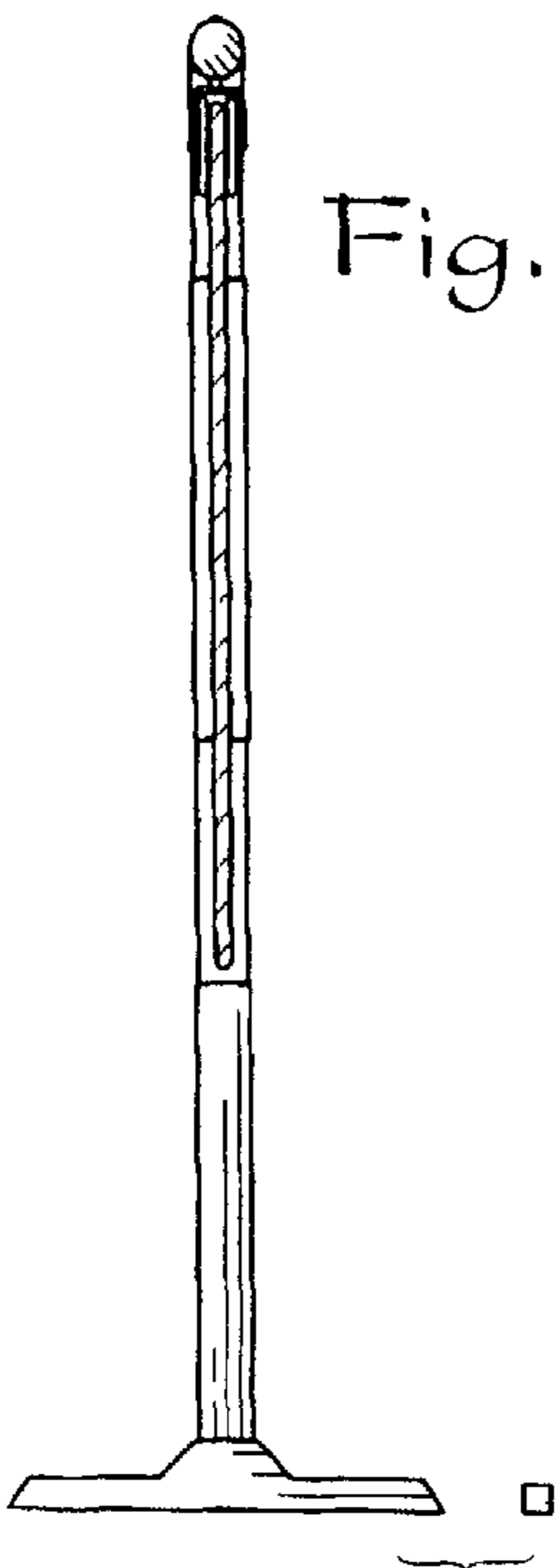


Fig. 5

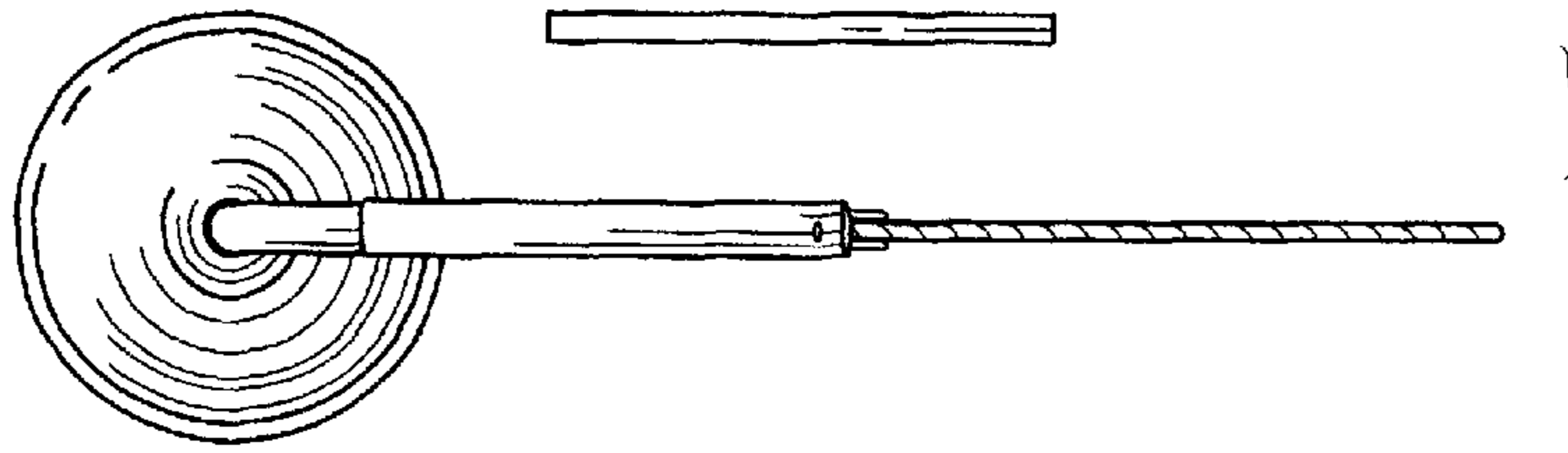


Fig. 6

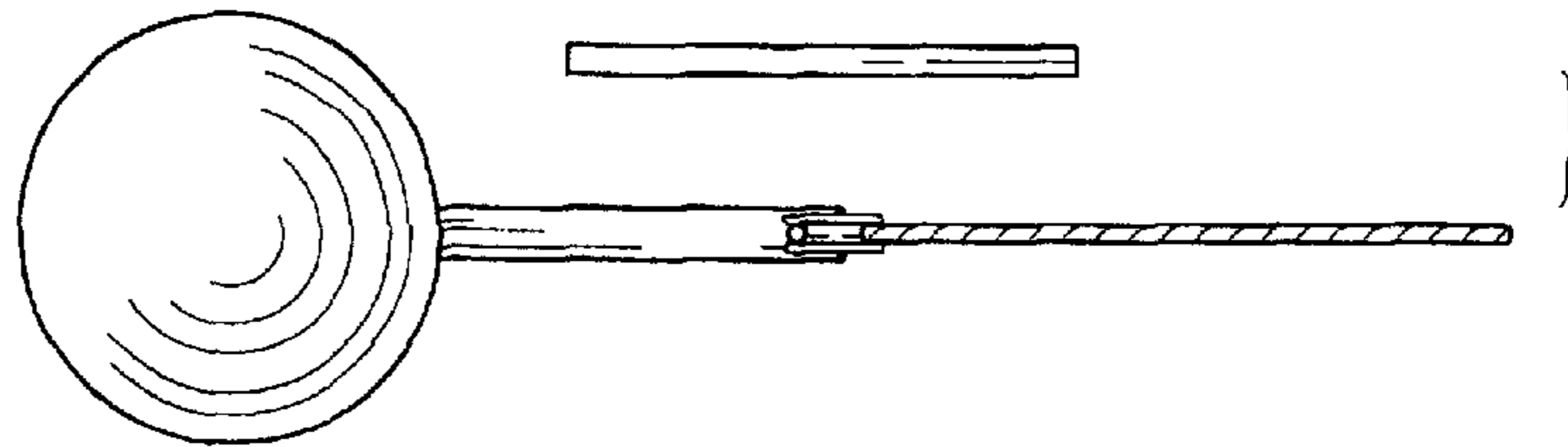


Fig. 7

