

US00D542491S

(12) **United States Design Patent**
Barnes, Jr. et al.

(10) **Patent No.:** **US D542,491 S**

(45) **Date of Patent:** **** May 8, 2007**

(54) **ICE SCRAPER**

(75) Inventors: **Jimmie Barnes, Jr.**, Emporia, KS (US);
Paul Svoboda, Emporia, KS (US)

(73) Assignee: **Hopkins Manufacturing Corporation**,
Emporia, KS (US)

(**) Term: **14 Years**

(21) Appl. No.: **29/248,513**

(22) Filed: **Aug. 18, 2006**

(51) **LOC (8) Cl.** **07-07**

(52) **U.S. Cl.** **D32/49**

(58) **Field of Classification Search** D32/46-49;
15/143.1, 236.01, 236.02; 16/110.1, 430-431;
D8/107; D28/45-48; 30/32, 169, 171, 526;
D4/118

See application file for complete search history.

(56) **References Cited**

U.S. PATENT DOCUMENTS

D305,818 S * 1/1990 Chen D32/48
D336,783 S * 6/1993 Hopkins et al. D4/118
D396,910 S * 8/1998 Henke D32/49

D453,251 S * 1/2002 Gringer et al. D32/48
D470,985 S * 2/2003 Zemel D32/48
D511,601 S * 11/2005 Chen D32/48
D520,844 S * 5/2006 Chen D8/107

* cited by examiner

Primary Examiner—Pamela J. Burgess

(74) *Attorney, Agent, or Firm*—George R. McGuire; Bond,
Schoeneck & King, PLLC

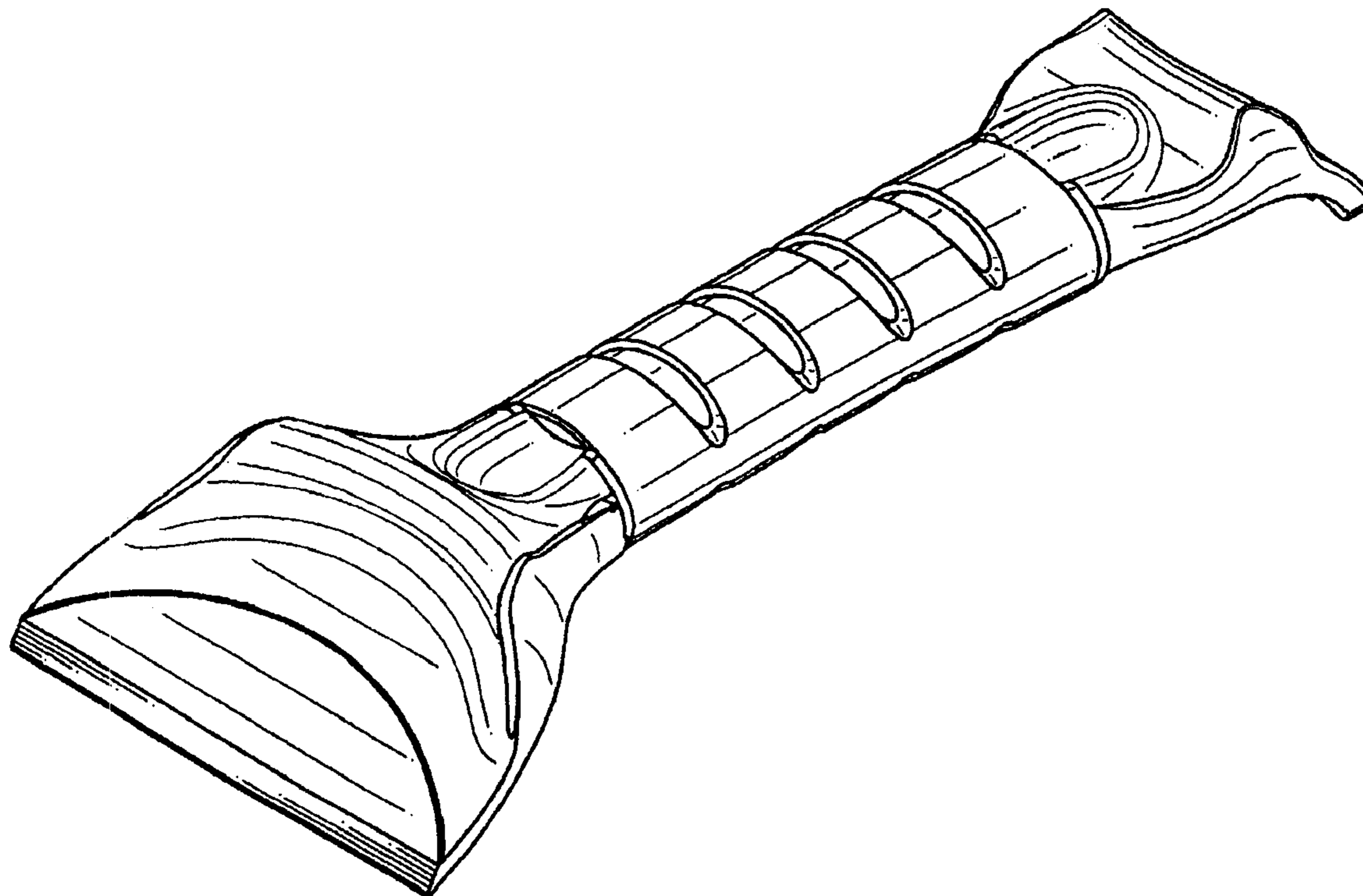
(57) **CLAIM**

The ornamental design for a ice scraper, as shown and
described.

DESCRIPTION

FIG. 1 is a top perspective view of a new and ornamental
design of an ice scraper;
FIG. 2 is a bottom perspective view thereof;
FIG. 3 is a top plan view thereof;
FIG. 4 is a side elevation view thereof, the other side being
a mirror image;
FIG. 5 is a bottom plan view thereof;
FIG. 6 is a front elevation view thereof; and,
FIG. 7 is an end elevation thereof.

1 Claim, 2 Drawing Sheets



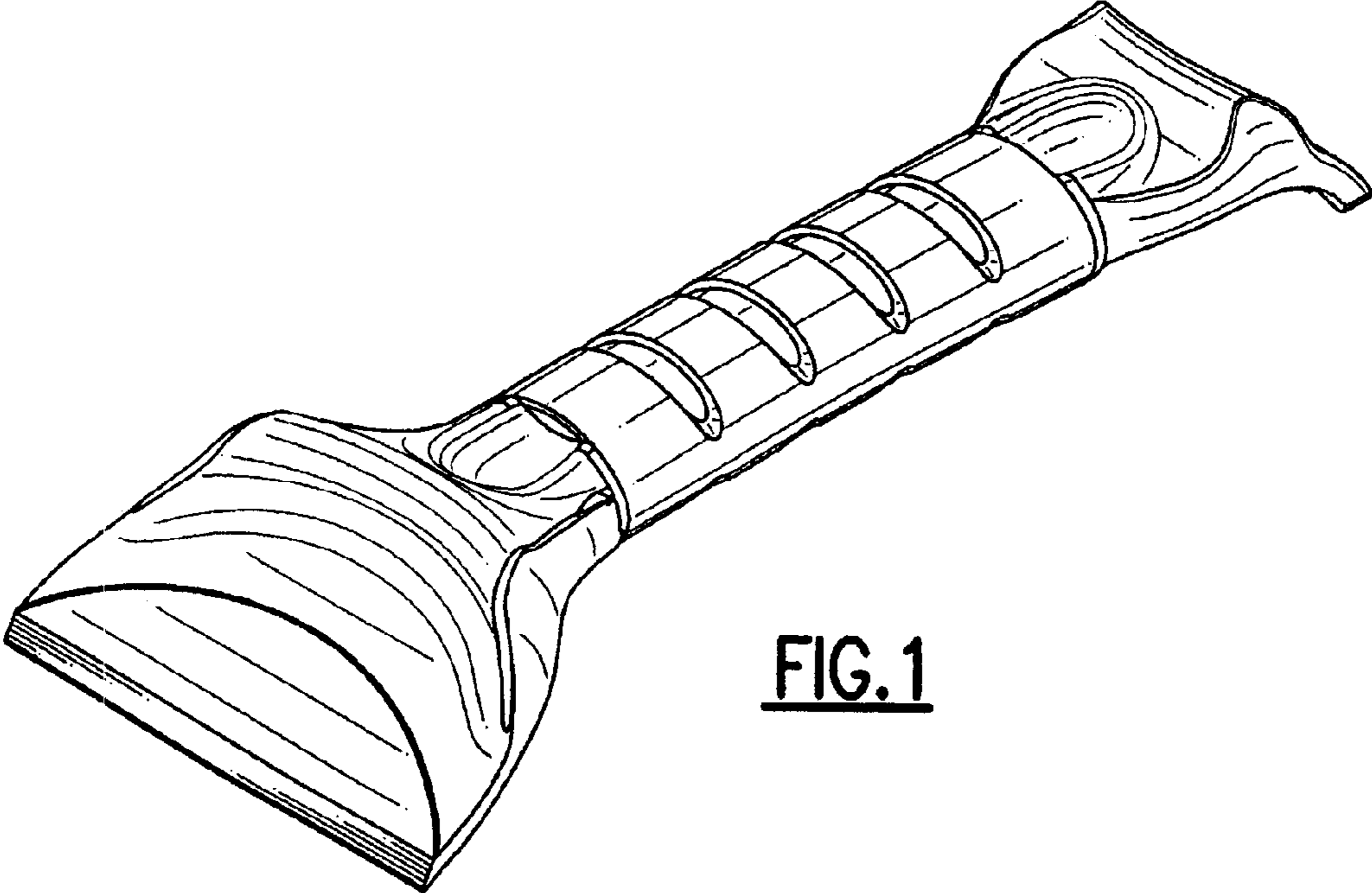


FIG. 1

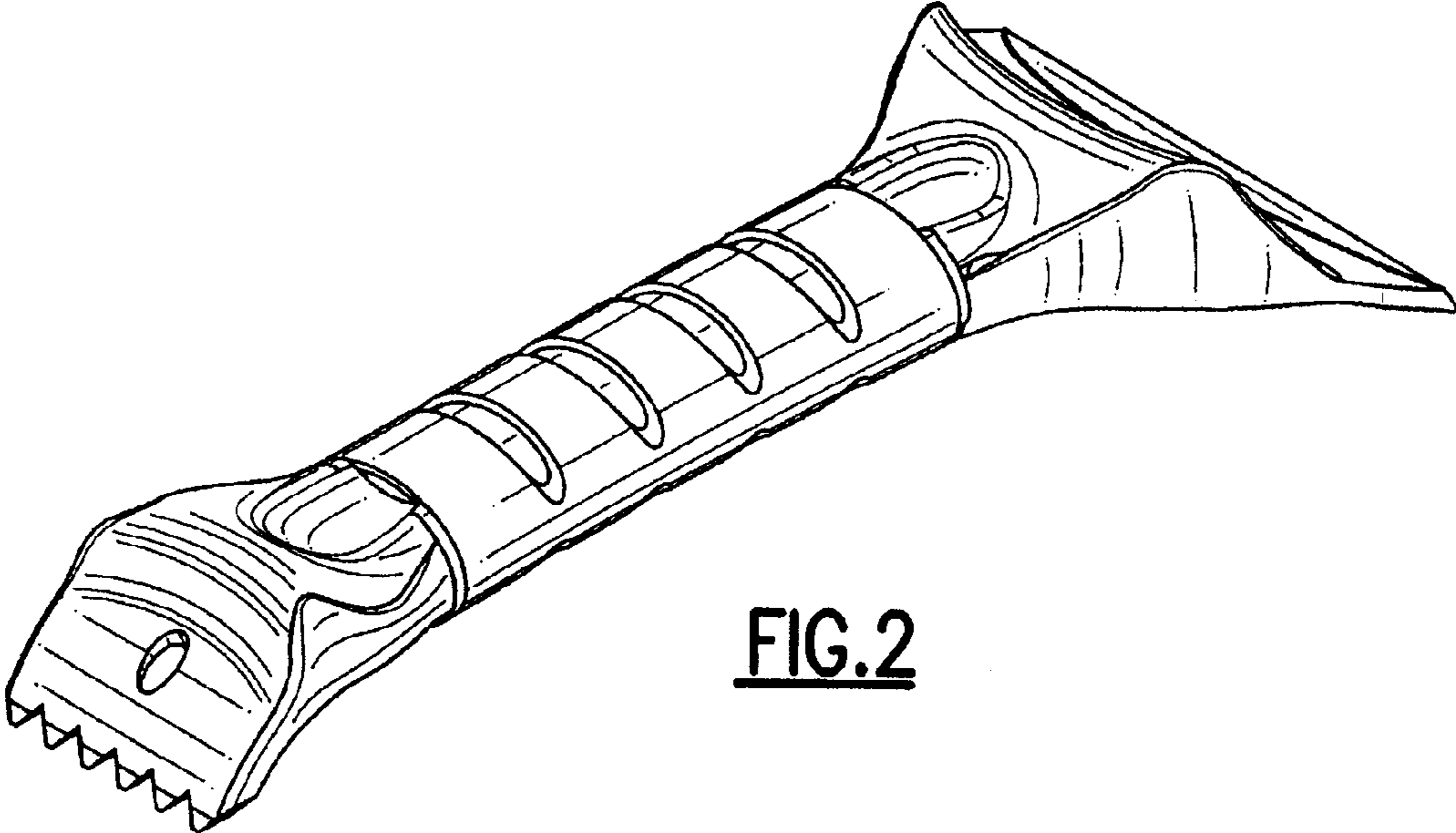


FIG. 2

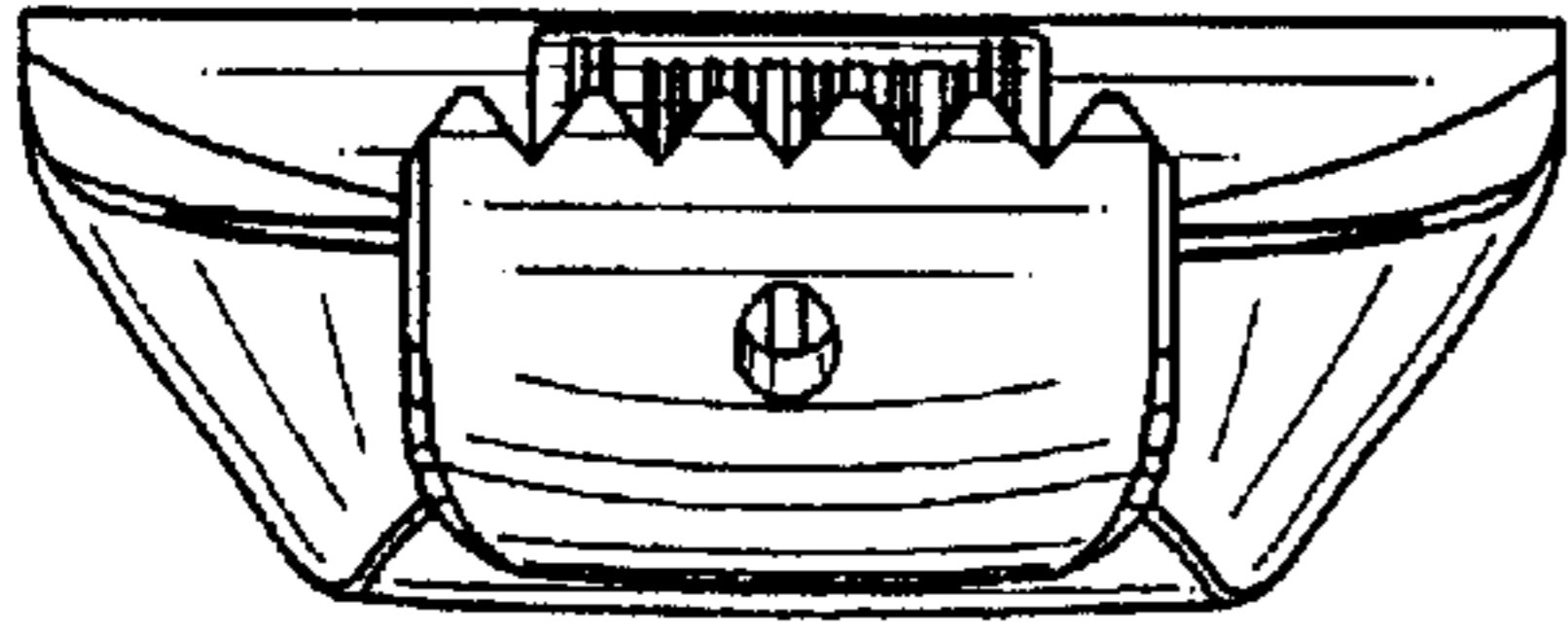


FIG. 7

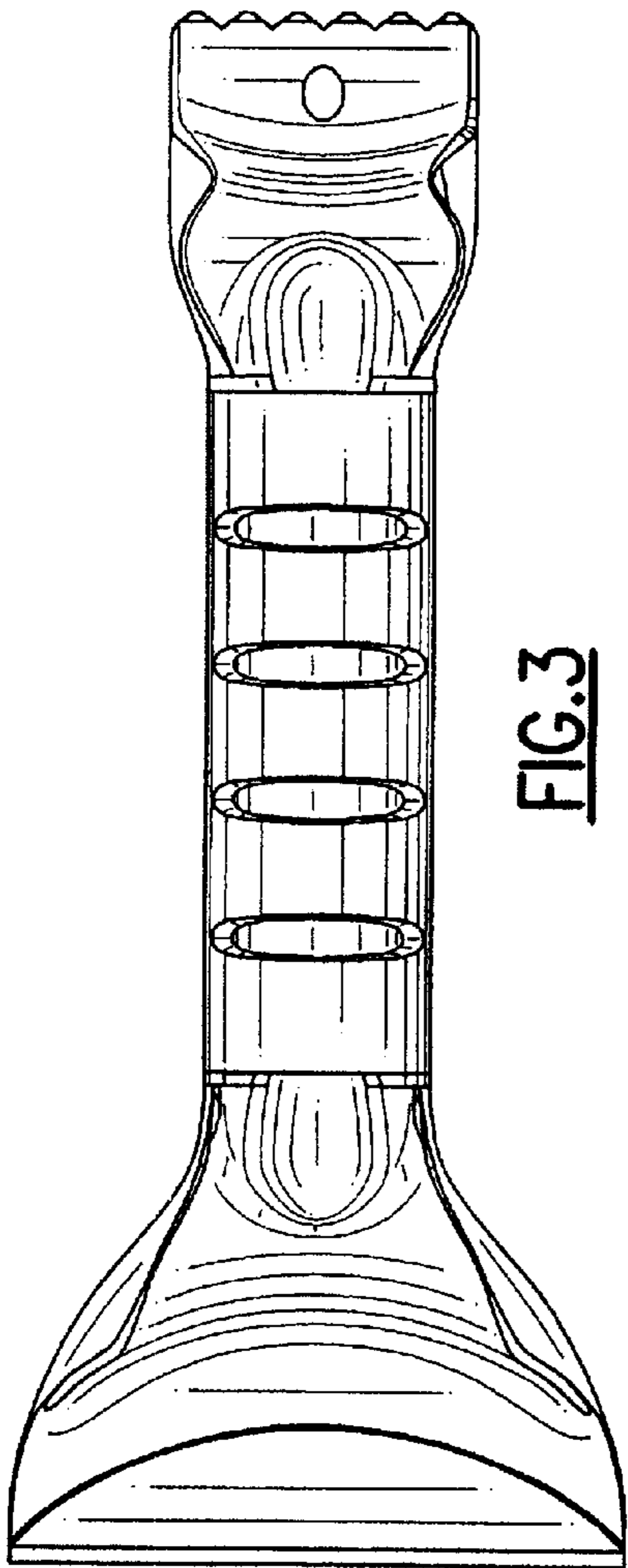


FIG. 3

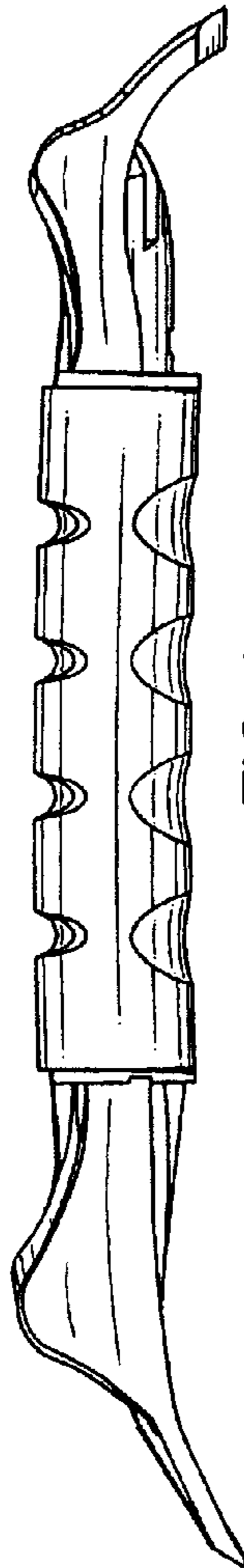


FIG. 4

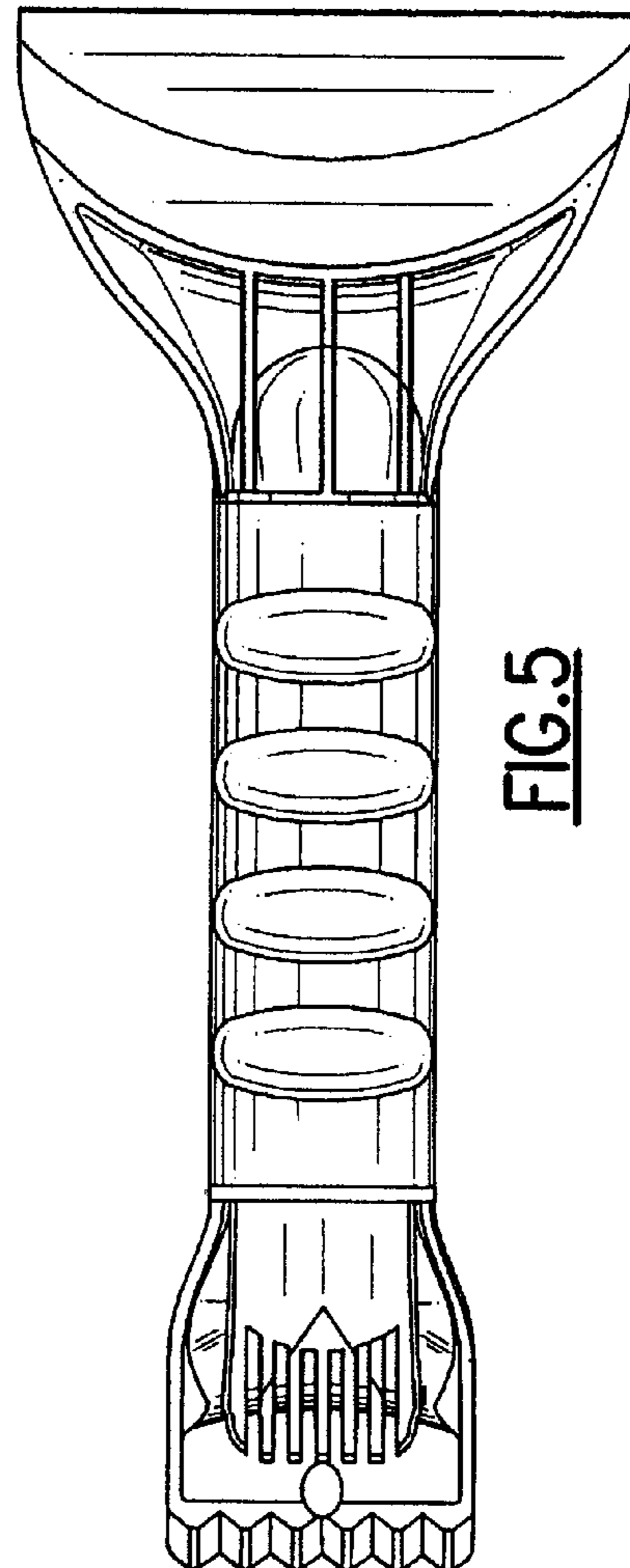


FIG. 5

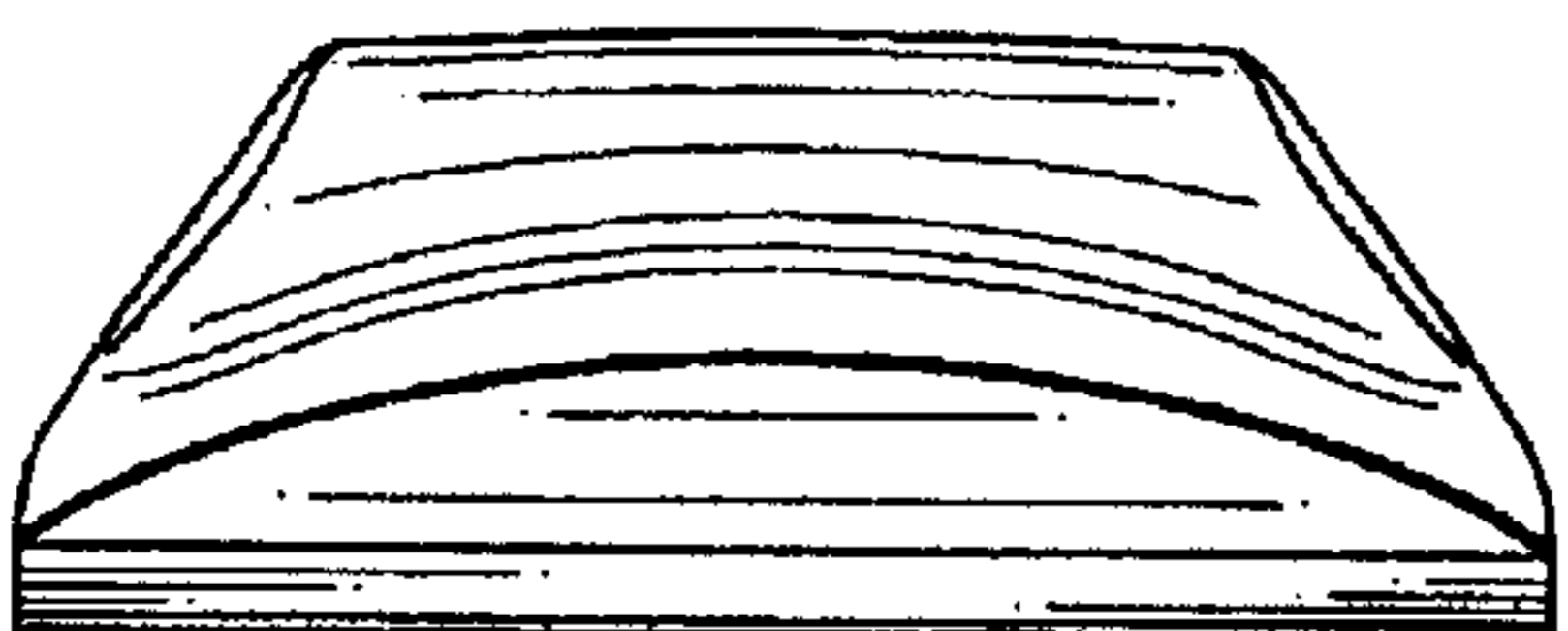


FIG. 6