

US00D542489S

(12) **United States Design Patent**  
**Chang**

(10) **Patent No.:** **US D542,489 S**

(45) **Date of Patent:** **\*\* May 8, 2007**

(54) **SCRAPER WITH SPRAYER**

(76) Inventor: **Po Feng Chang**, No. 9, Anshun N. 2nd St., Taichung City, Beitun District (TW), 406

(\*\*) Term: **14 Years**

(21) Appl. No.: **29/259,324**

(22) Filed: **May 8, 2006**

(51) **LOC (8) Cl.** ..... **07-07**

(52) **U.S. Cl.** ..... **D32/45**

(58) **Field of Classification Search** ..... D32/41, D32/45-46, 49; D8/45; 15/121, 143.1, 236.01, 15/236.02, 245, 245.1

See application file for complete search history.

(56) **References Cited**

**U.S. PATENT DOCUMENTS**

- D177,031 S \* 3/1956 Gilchrist ..... D32/41
- D357,563 S \* 4/1995 Vosbikian ..... D32/41
- 6,036,388 A \* 3/2000 Atcher ..... 401/118

- 6,243,911 B1 \* 6/2001 Varner ..... 15/245
- 6,426,756 B1 \* 7/2002 Winget et al. .... 345/582
- 6,453,970 B1 \* 9/2002 Stone et al. .... 156/579

\* cited by examiner

*Primary Examiner*—Pamela J. Burgess

(74) *Attorney, Agent, or Firm*—Bacon & Thomas, PLLC

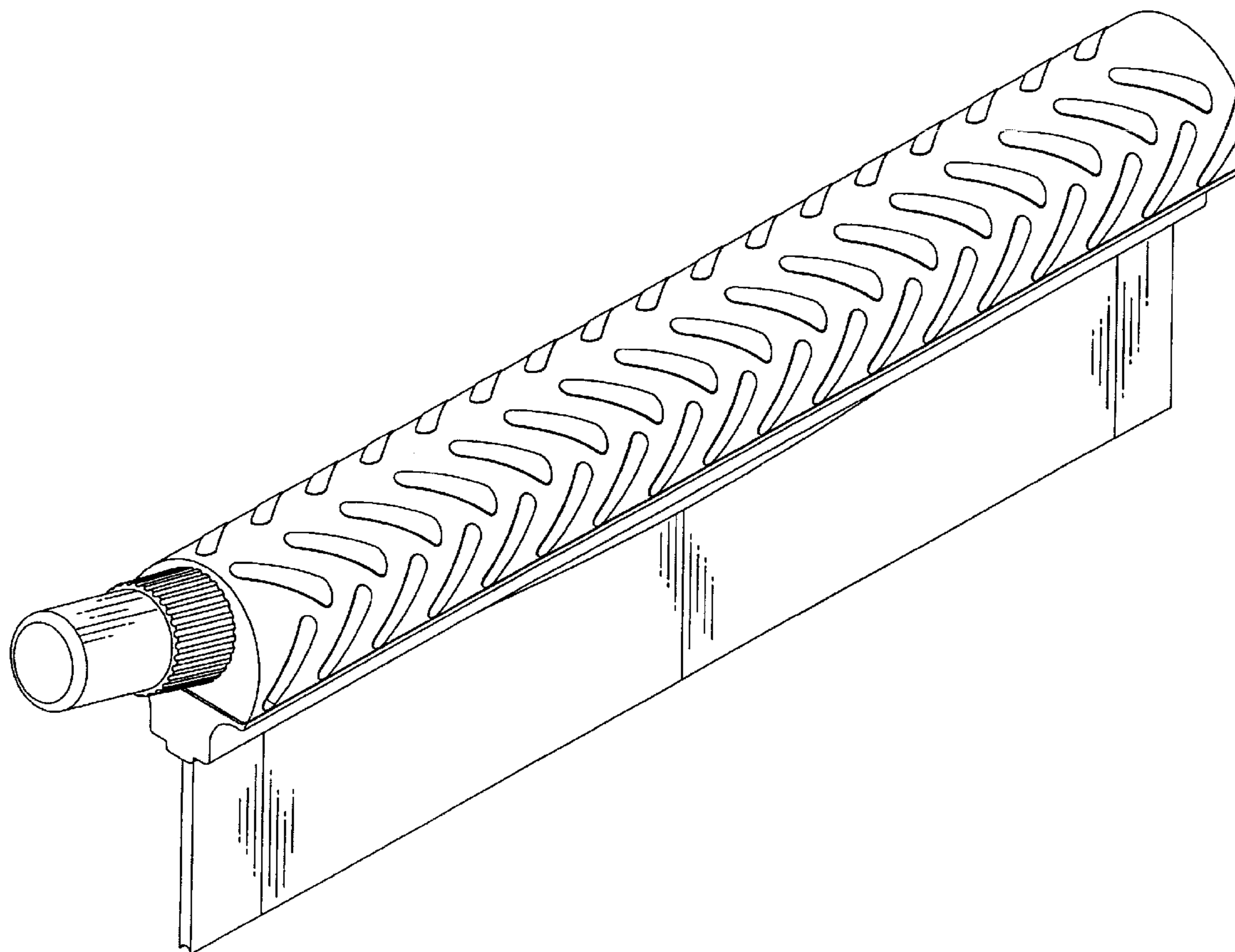
(57) **CLAIM**

The ornamental design for a scraper with sprayer, as shown and described.

**DESCRIPTION**

FIG. 1 is a front-left-top perspective view of scraper with sprayer showing my new design;  
 FIG. 2 is a front elevational view thereof;  
 FIG. 3 is a rear elevational view thereof;  
 FIG. 4 is a left plane view thereof;  
 FIG. 5 is a right plane view thereof;  
 FIG. 6 is a top elevational view thereof; and,  
 FIG. 7 is a bottom elevational view thereof.

**1 Claim, 5 Drawing Sheets**



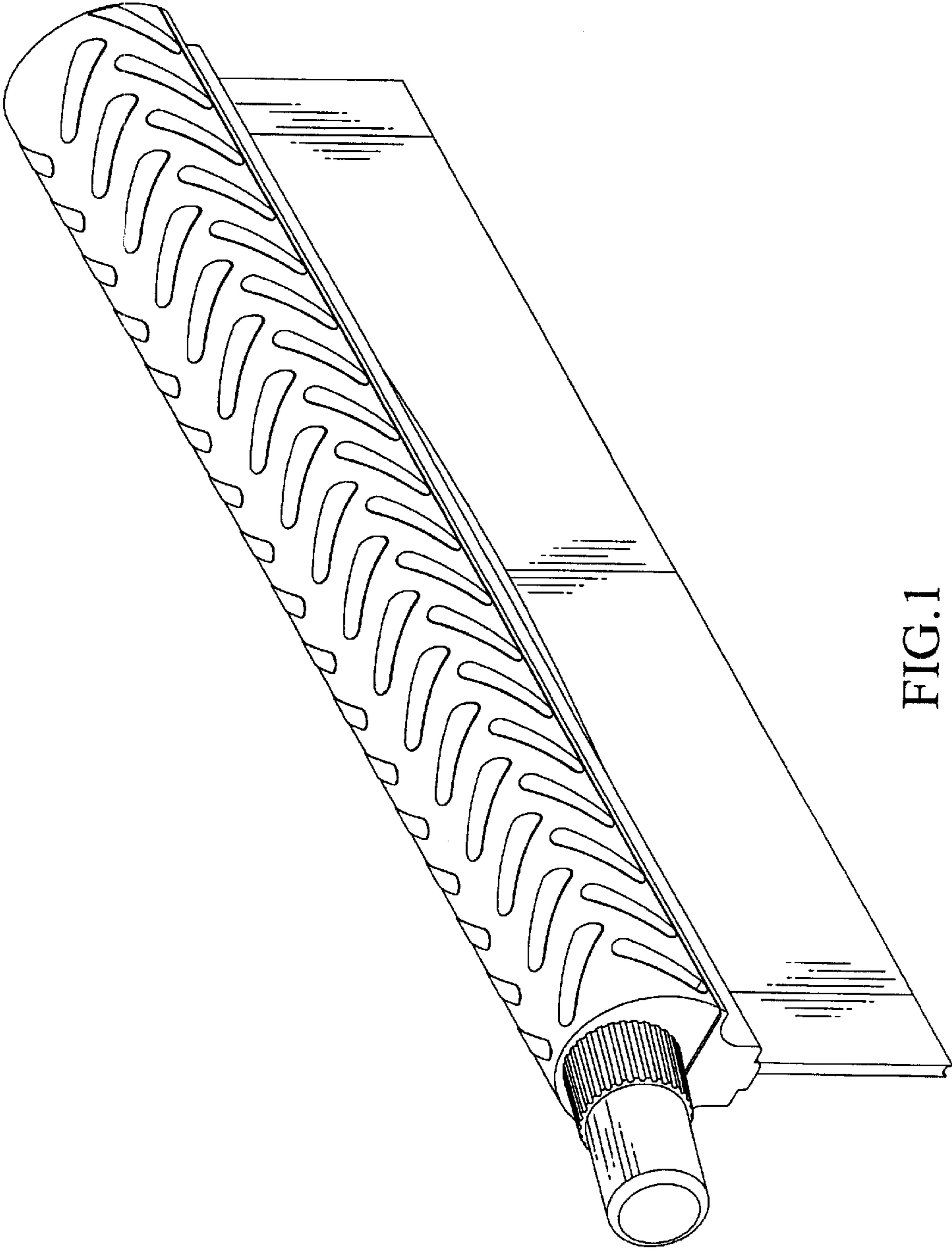


FIG. 1

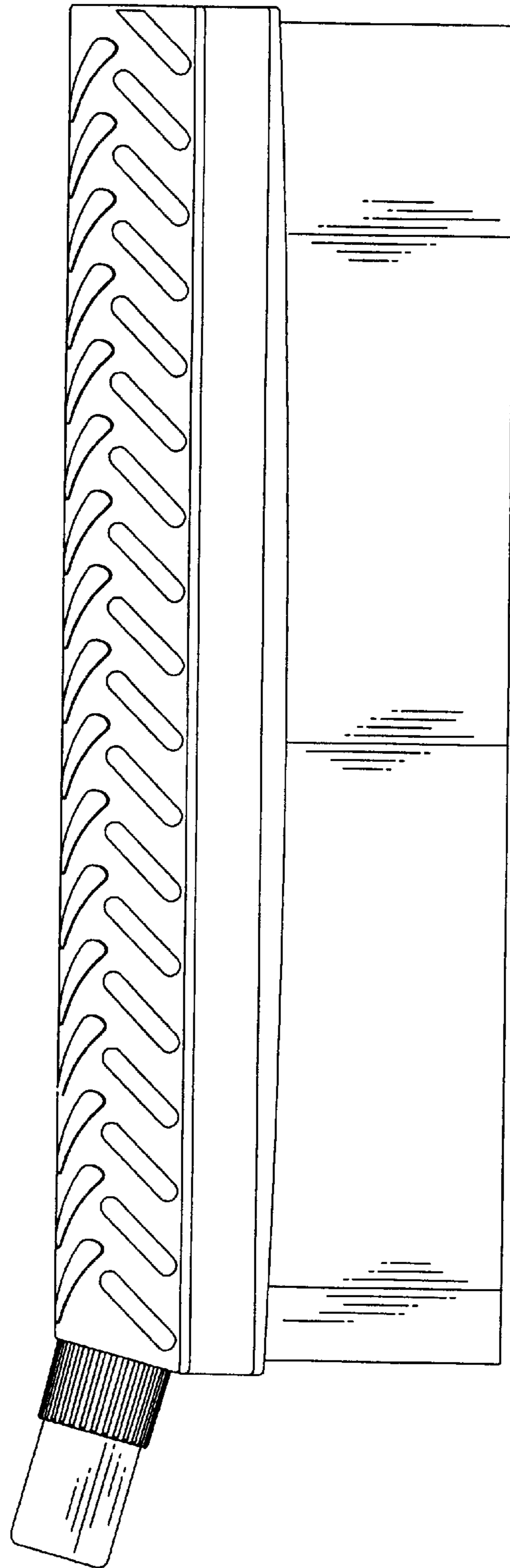


FIG.2

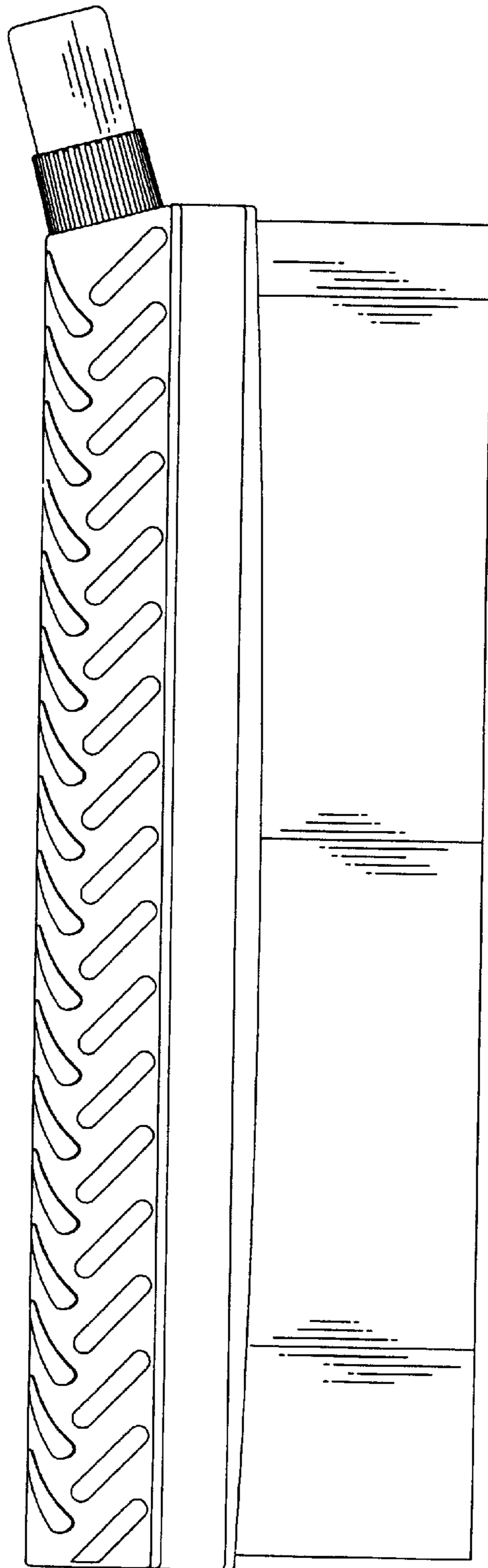


FIG.3

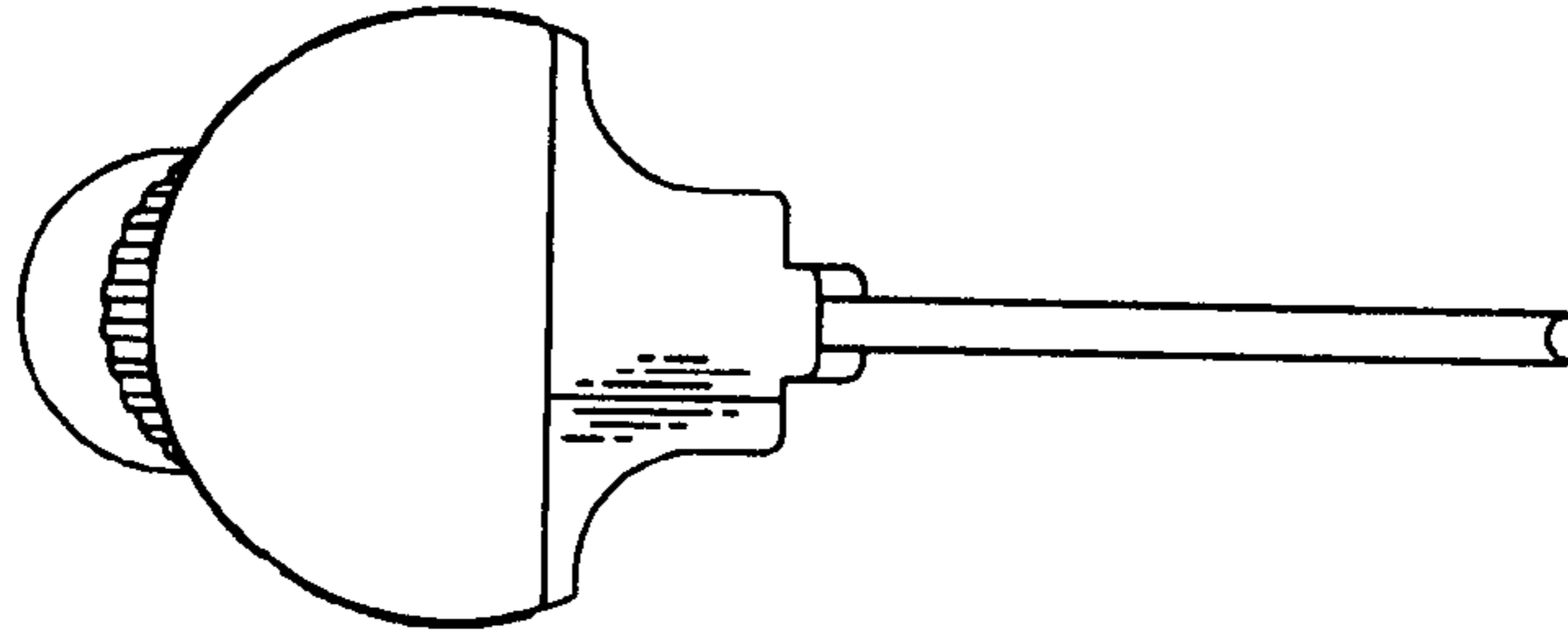


FIG.5

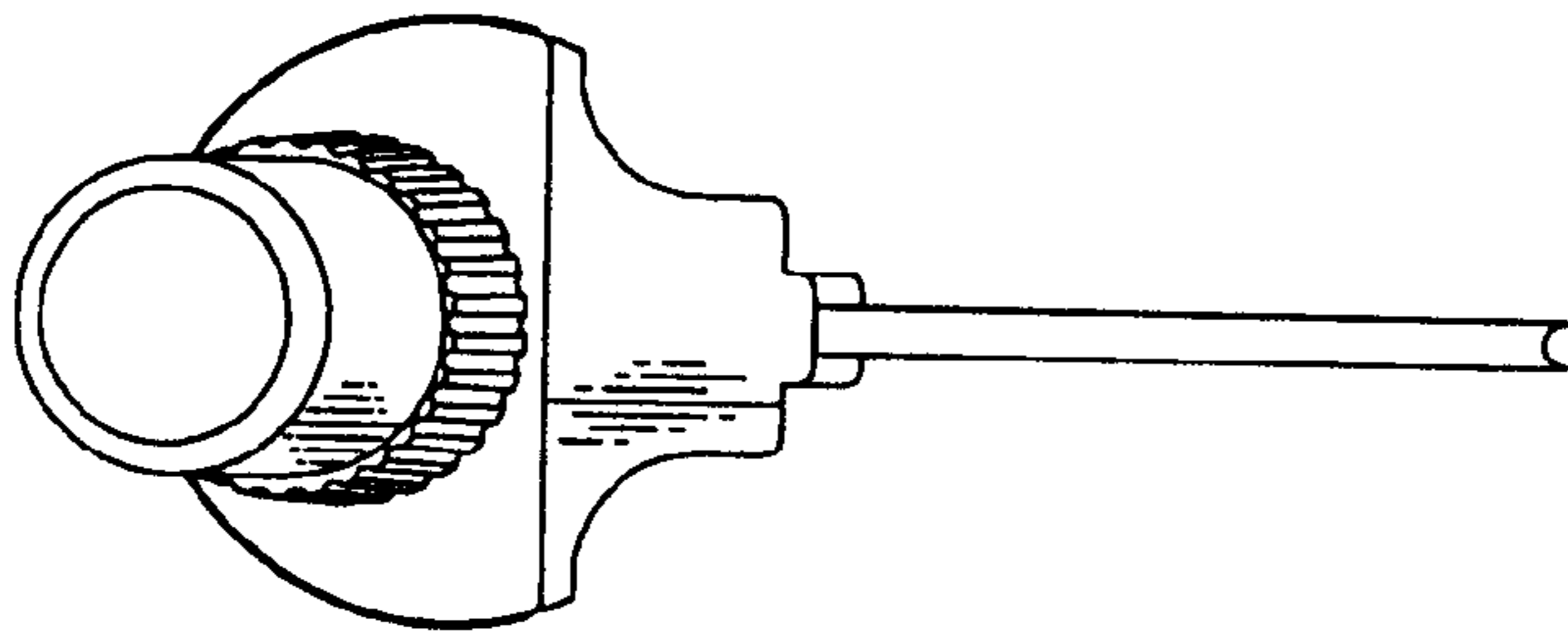


FIG.4

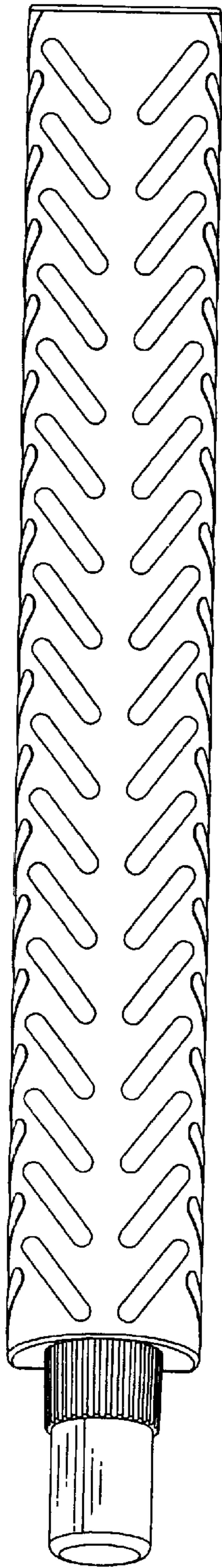


FIG. 6

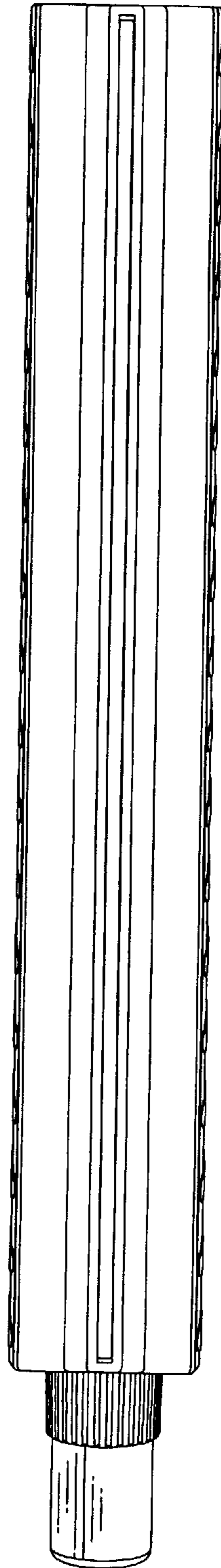


FIG. 7