

US00D542478S

(12) **United States Design Patent**
Andriola

(10) **Patent No.:** **US D542,478 S**

(45) **Date of Patent:** **** May 8, 2007**

(54) **DOG BED**

(76) **Inventor:** **Rich Andriola**, P.O. Box 13657,
Scottsdale, AZ (US) 85267

(**) **Term:** **14 Years**

(21) **Appl. No.:** **29/231,278**

(22) **Filed:** **Jun. 1, 2005**

(51) **LOC (8) Cl.** **30-06**

(52) **U.S. Cl.** **D30/118; 6/334**

(58) **Field of Classification Search** D30/118,
D30/108-109, 129-130, 161; D6/333-335,
D6/349, 371, 378, 381-383, 388, 390, 393,
D6/395, 505-508, 595-596, 598, 601, 604;
D7/564; 5/617, 622, 636-637; 119/28.5,
119/162, 168, 496-498

See application file for complete search history.

(56) **References Cited**

U.S. PATENT DOCUMENTS

2,499,103	A	*	2/1950	Love	119/28.5
3,438,676	A	*	4/1969	Brosk	D6/334
D214,302	S	*	6/1969	Barber	D6/601
D219,443	S	*	12/1970	Hubel	D6/335
3,756,657	A	*	9/1973	Johnson	D6/381
D242,304	S	*	11/1976	Petersilie	D6/335
4,189,181	A	*	2/1980	Noble et al.	D6/502
D263,770	S	*	4/1982	Melchior	D6/334
D295,904	S	*	5/1988	McMahon	D30/118
D309,200	S	*	7/1990	McMahon	D30/118
D314,252	S	*	1/1991	Horne	D30/118

5,033,408	A	*	7/1991	Langenbahn	119/28.5
D325,475	S	*	4/1992	Genova et al.	D6/334
D349,787	S	*	8/1994	McMahon	D30/118
D351,687	S	*	10/1994	McMahon	D30/118
D378,028	S	*	2/1997	Schefcik	D6/334
D392,775	S	*	3/1998	McMahon	D30/118
D399,661	S	*	10/1998	Smith	D6/334
D400,313	S	*	10/1998	Chatwell	D30/118
D433,543	S	*	11/2000	Fiore et al.	D30/118
D503,548	S	*	4/2005	Peters	D6/335
D504,034	S	*	4/2005	Higgs et al.	D6/381

* cited by examiner

Primary Examiner—Cathy Anne MacCormac

(74) *Attorney, Agent, or Firm*—Brian Beverly; Beeson
Skinner Beverly, LLP

(57) **CLAIM**

The ornamental design for a dog bed, as shown and
described.

DESCRIPTION

FIG. 1 is a top perspective view of a dog bed showing my
new design;

FIG. 2 is a top plan view thereof;

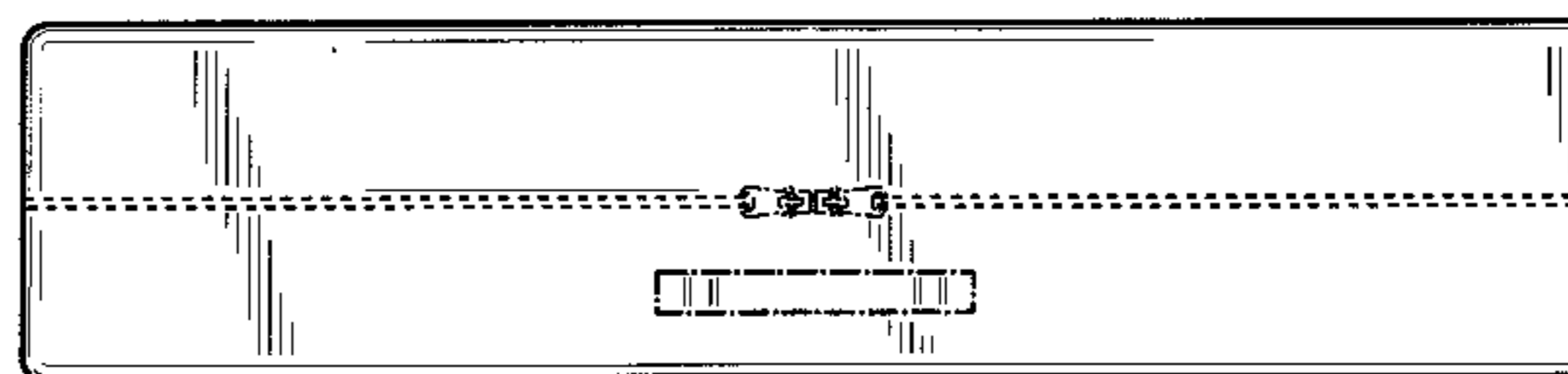
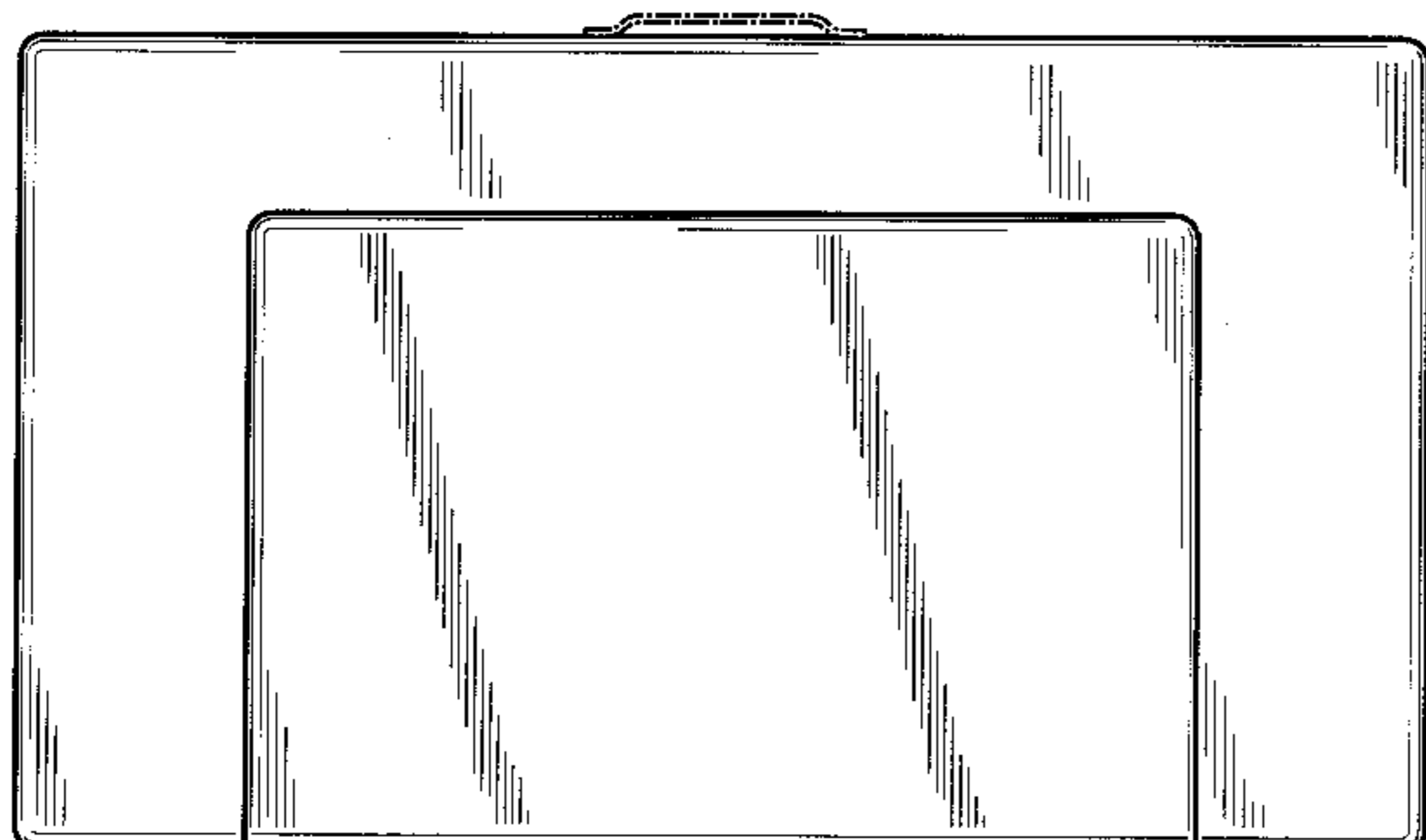
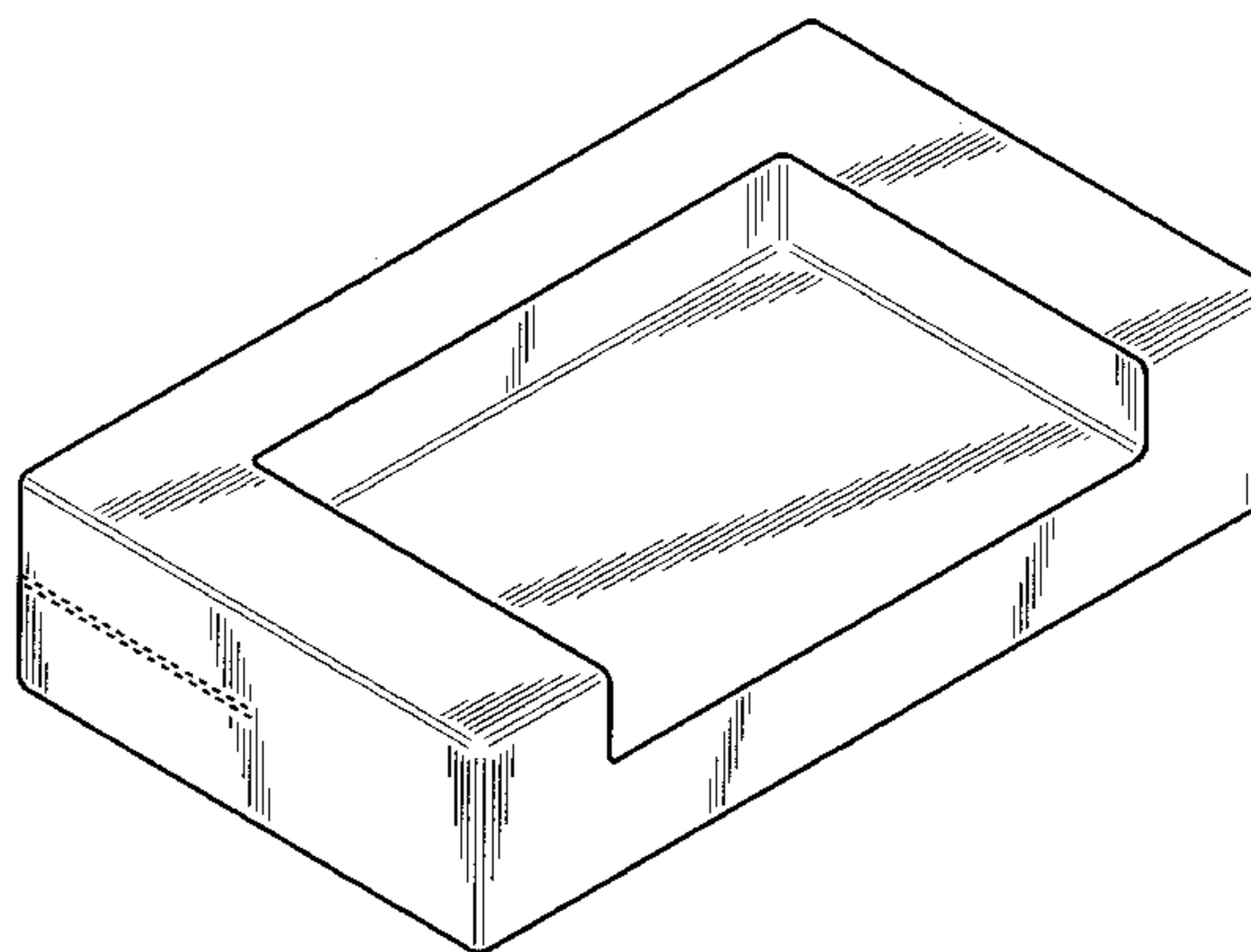
FIG. 3 is a front elevational view thereof;

FIG. 4 is a rear elevational view thereof; and,

FIG. 5 is a right side elevational view thereof, the left side
being a mirror image thereof.

The zipper and handle are shown in broken lines, for
illustrative purposes only, and form no part of the claimed
design.

1 Claim, 4 Drawing Sheets



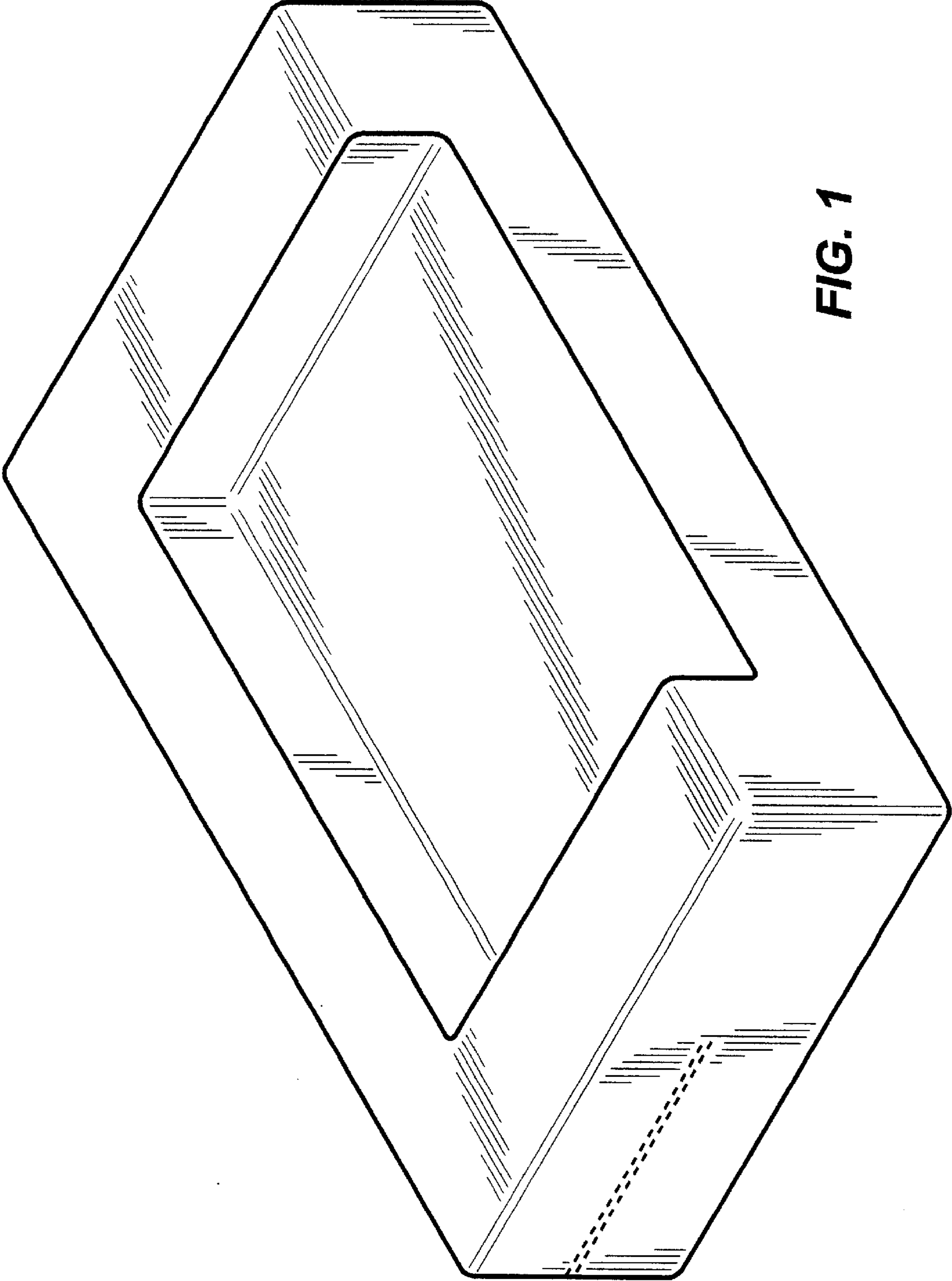


FIG. 1

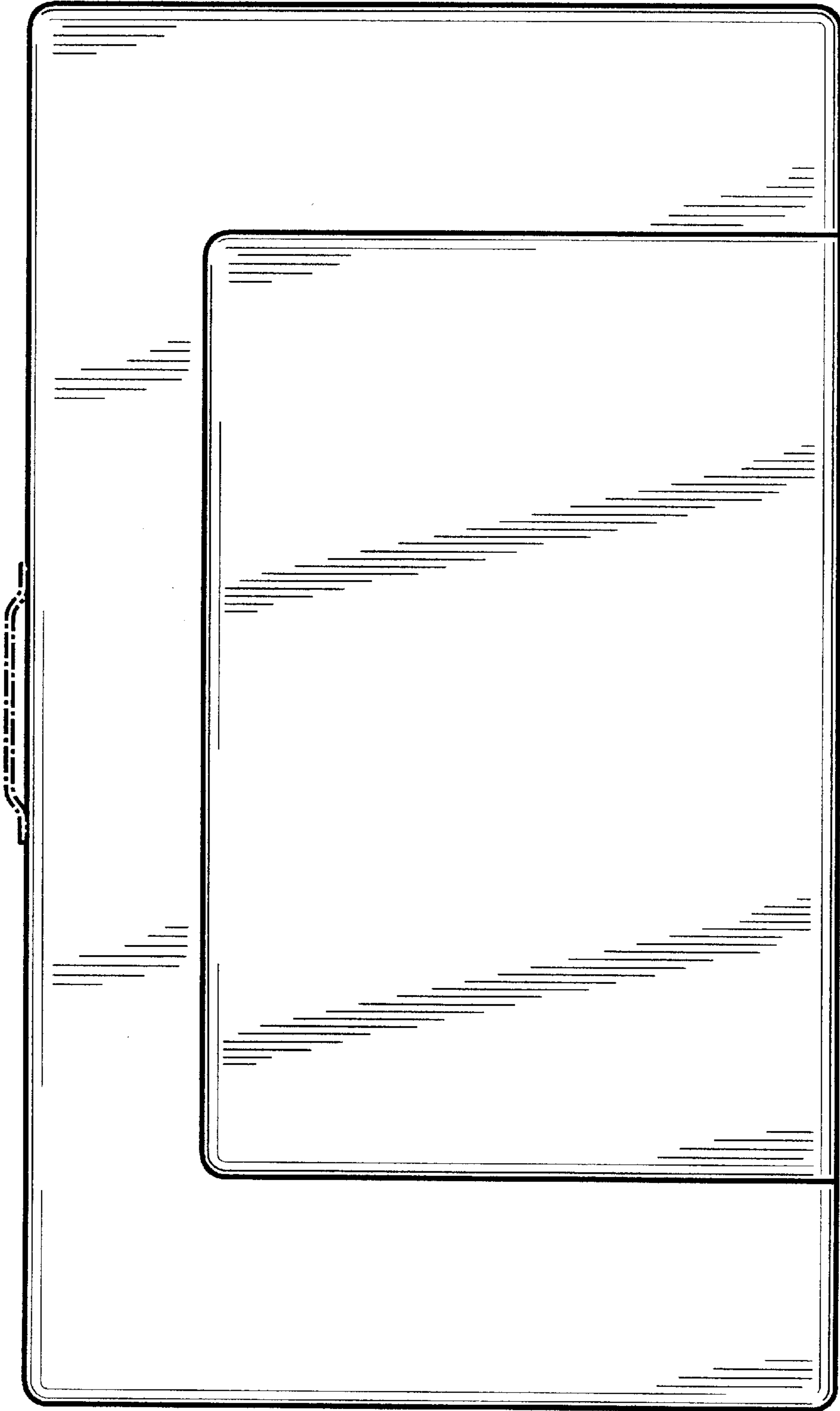


FIG. 2

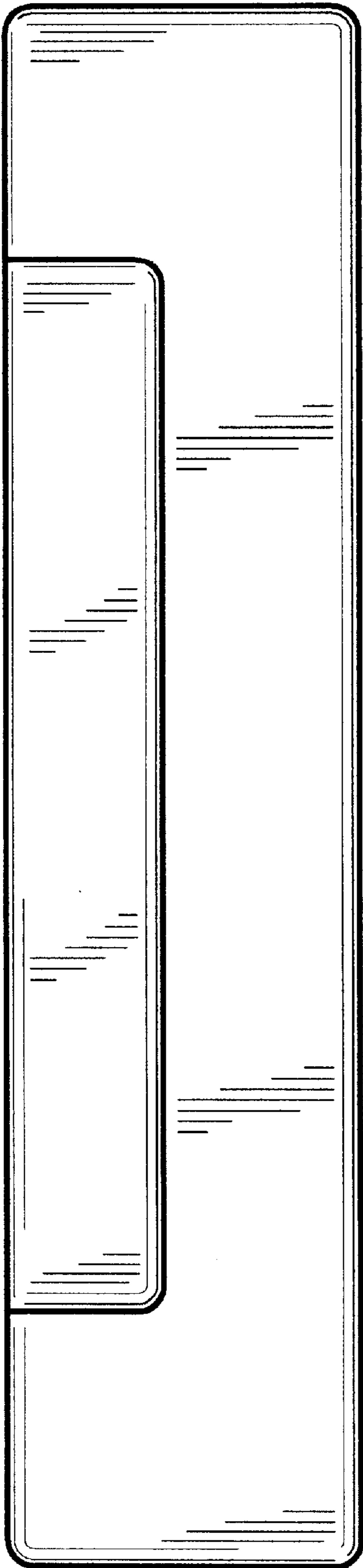


FIG. 3

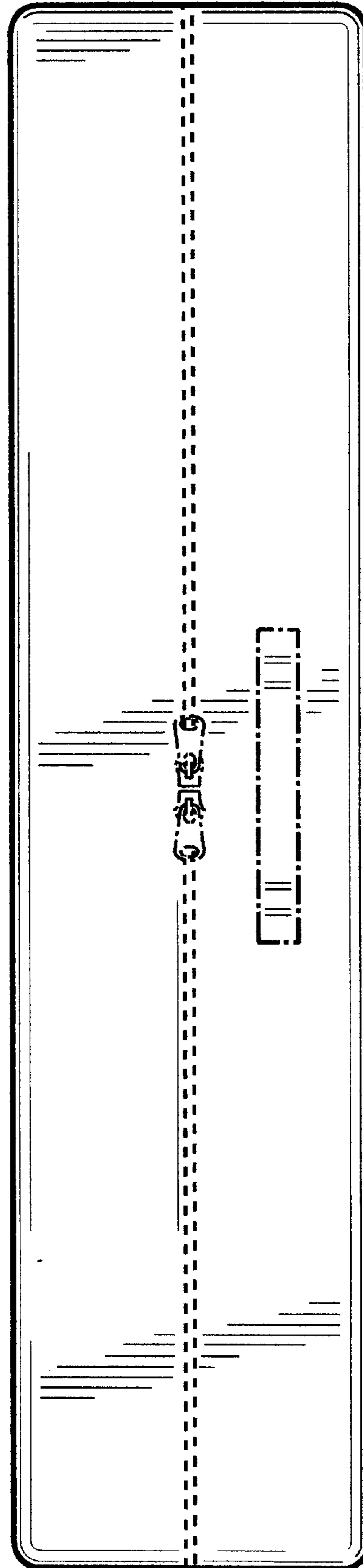


FIG. 4

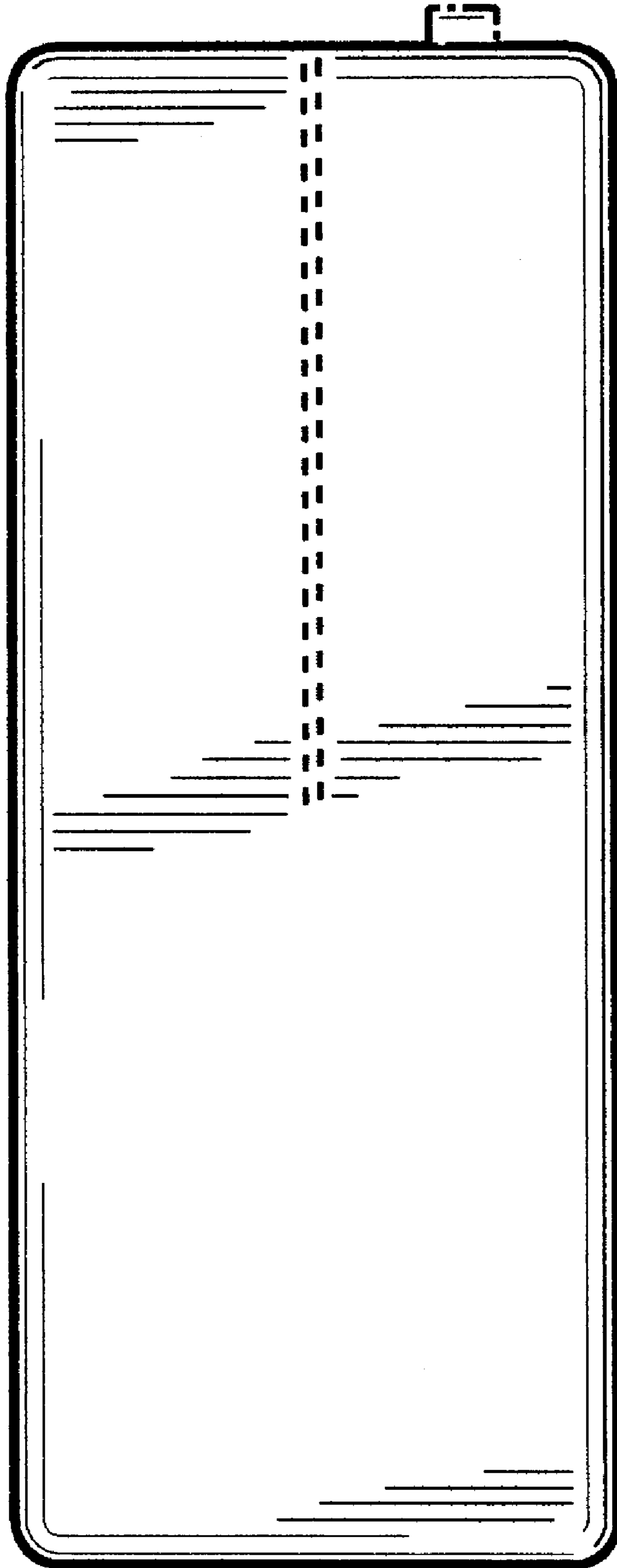


FIG. 5