

US00D542477S

(12) **United States Design Patent**
Crommelynck

(10) **Patent No.:** **US D542,477 S**

(45) **Date of Patent:** **** May 8, 2007**

(54) **FIRE EXTINGUISHER**

(76) **Inventor:** **Erik Crommelynck**, Jean Jaureslaan
14, 9050 Gentbrugge (BE)

(**) **Term:** **14 Years**

(21) **Appl. No.:** **29/221,561**

(22) **Filed:** **Jan. 13, 2005**

(30) **Foreign Application Priority Data**

Jul. 14, 2004 (EM) 000202072-0001

(51) **LOC (8) Cl.** **29-01**

(52) **U.S. Cl.** **D29/126**

(58) **Field of Classification Search** D29/125,
D29/126, 127, 128, 129, 130; D9/531, 536;
D23/213, 223, 225; 169/30, 70, 71, 72, 73,
169/74, 75, 76, 77, 78, 79, 80, 81, 82, 83,
169/84, 85, 86, 87, 88, 89; 222/324, 394,
222/402.13, 402, 14, 402.15, 465.1, 470;
239/302; D8/2

See application file for complete search history.

(56) **References Cited**

U.S. PATENT DOCUMENTS

278,569 A * 5/1883 Liscomb 222/465.1
1,530,133 A * 3/1925 Maxwell 222/394
2,668,419 A * 2/1954 Mapes 169/75
D185,957 S * 8/1959 Bauman et al. D29/129
2,915,251 A * 12/1959 North, Jr. 222/402.15

D190,139 S * 4/1961 Wilson D29/126
3,105,458 A * 10/1963 Downham 169/75
3,552,495 A * 1/1971 Fiero 169/89
4,124,076 A * 11/1978 Howard 169/30
D275,237 S * 8/1984 Gillis D29/125
5,291,952 A * 3/1994 Arend 169/74
D387,270 S * 12/1997 Bifulco D23/225
D387,271 S * 12/1997 Bifulco D23/225
D486,945 S * 2/2004 Brock et al. D29/126
2004/0065451 A1 * 4/2004 McSheffrey et al. 169/30

* cited by examiner

Primary Examiner—T. Chase Nelson

(74) *Attorney, Agent, or Firm*—Kirschstein, et al.

(57) **CLAIM**

The ornamental design for a fire extinguisher, as shown and described.

DESCRIPTION

FIG. 1 is a front perspective view of a fire extinguisher according to my new design;

FIG. 2 is a top perspective view thereof;

FIG. 3 is a right side perspective view thereof;

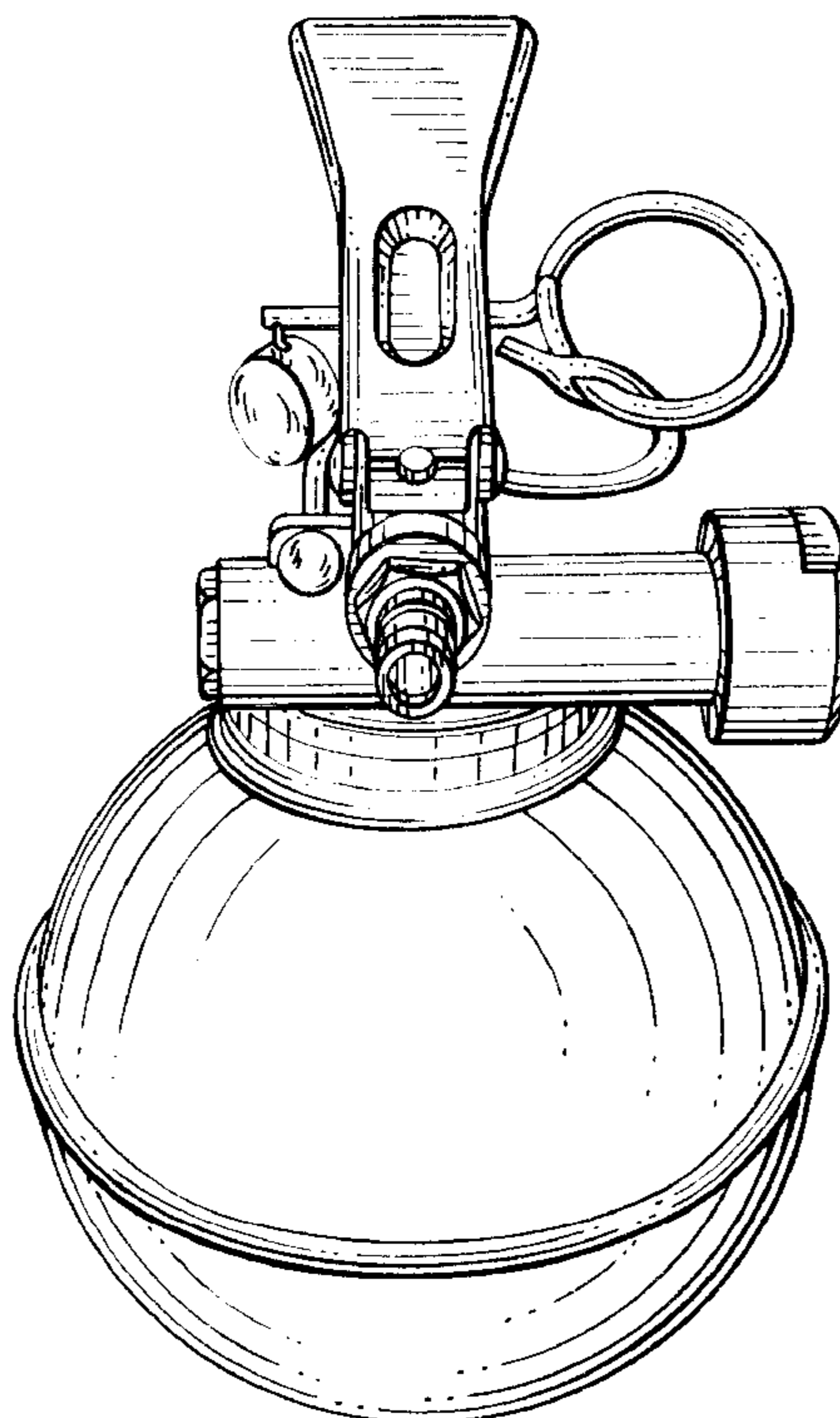
FIG. 4 is a left side perspective view thereof;

FIG. 5 is a rear perspective view thereof; and,

FIG. 6 is a bottom perspective view thereof.

The broken lines on the fire extinguisher in the FIG. 3 view are for illustrative purposes only and form no part of the claimed design.

1 Claim, 3 Drawing Sheets



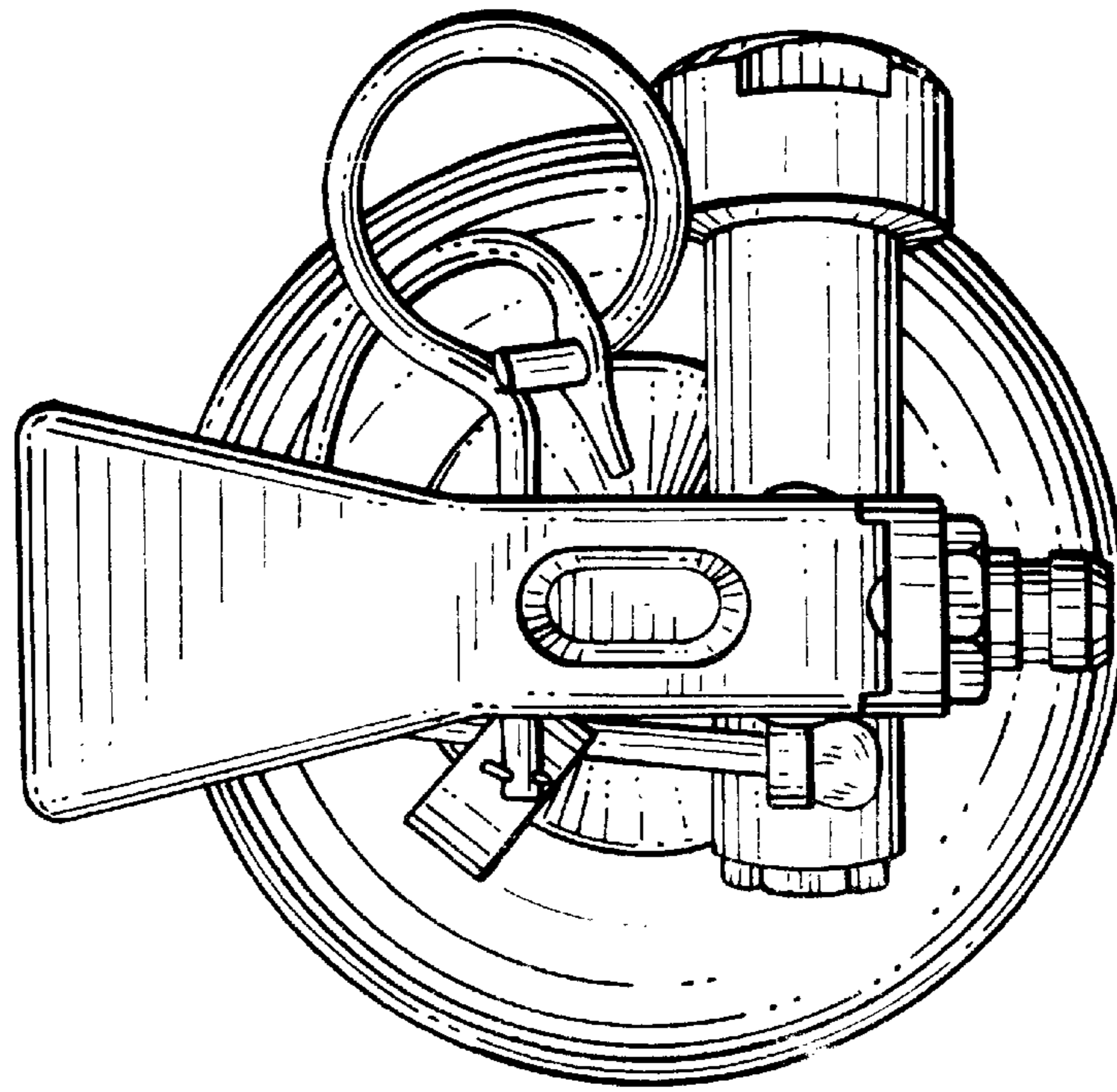


FIG. 2

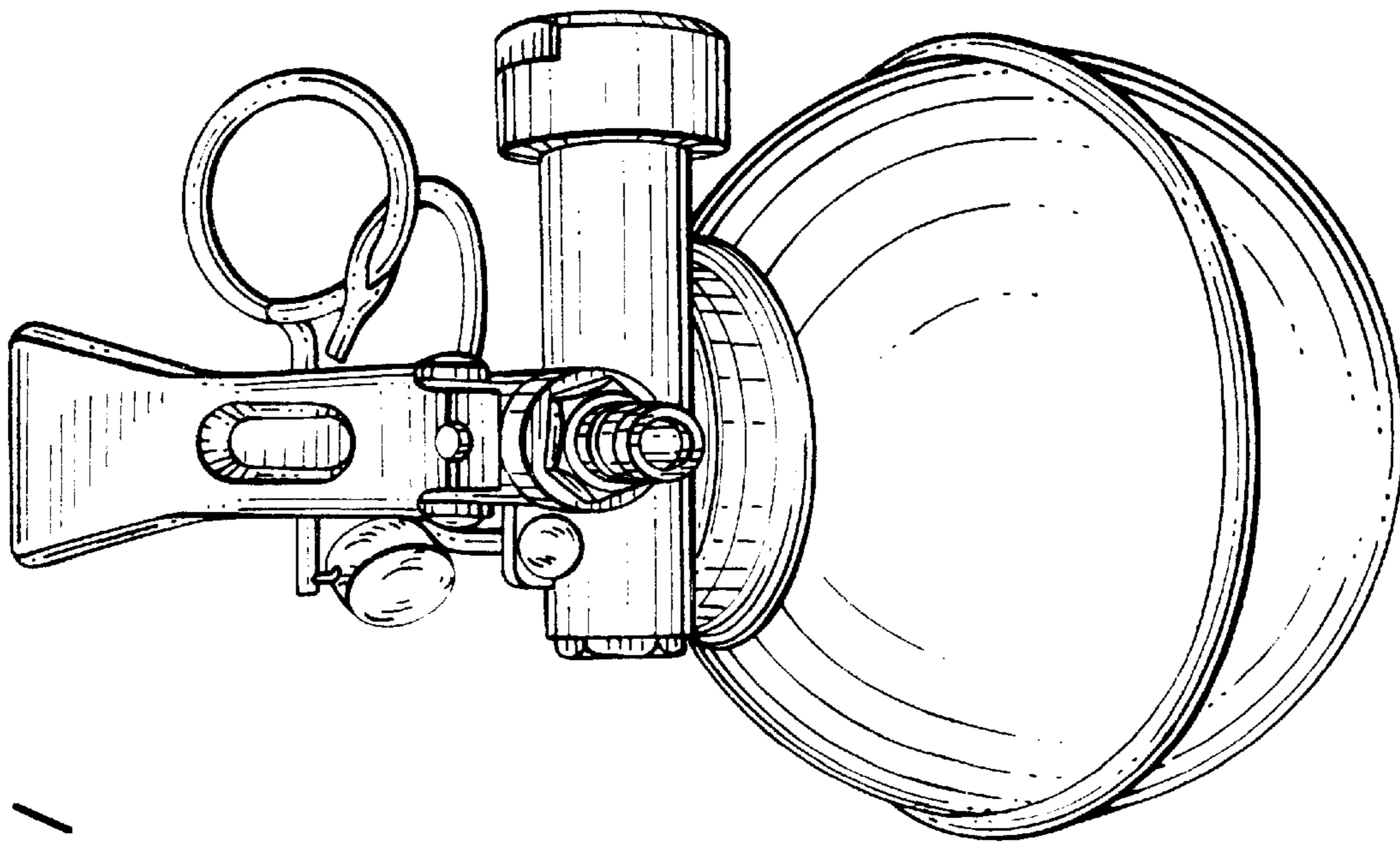


FIG. 1

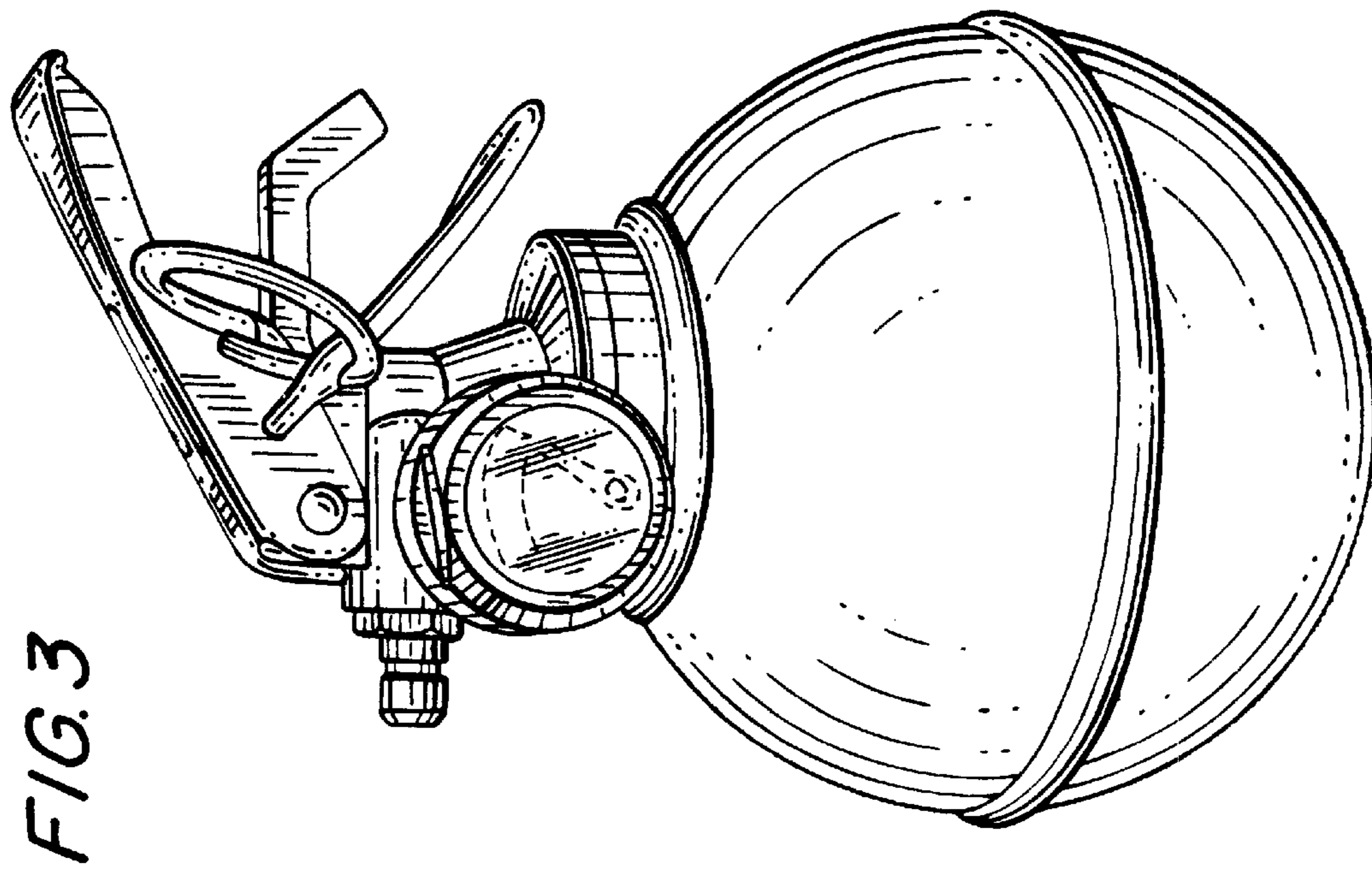
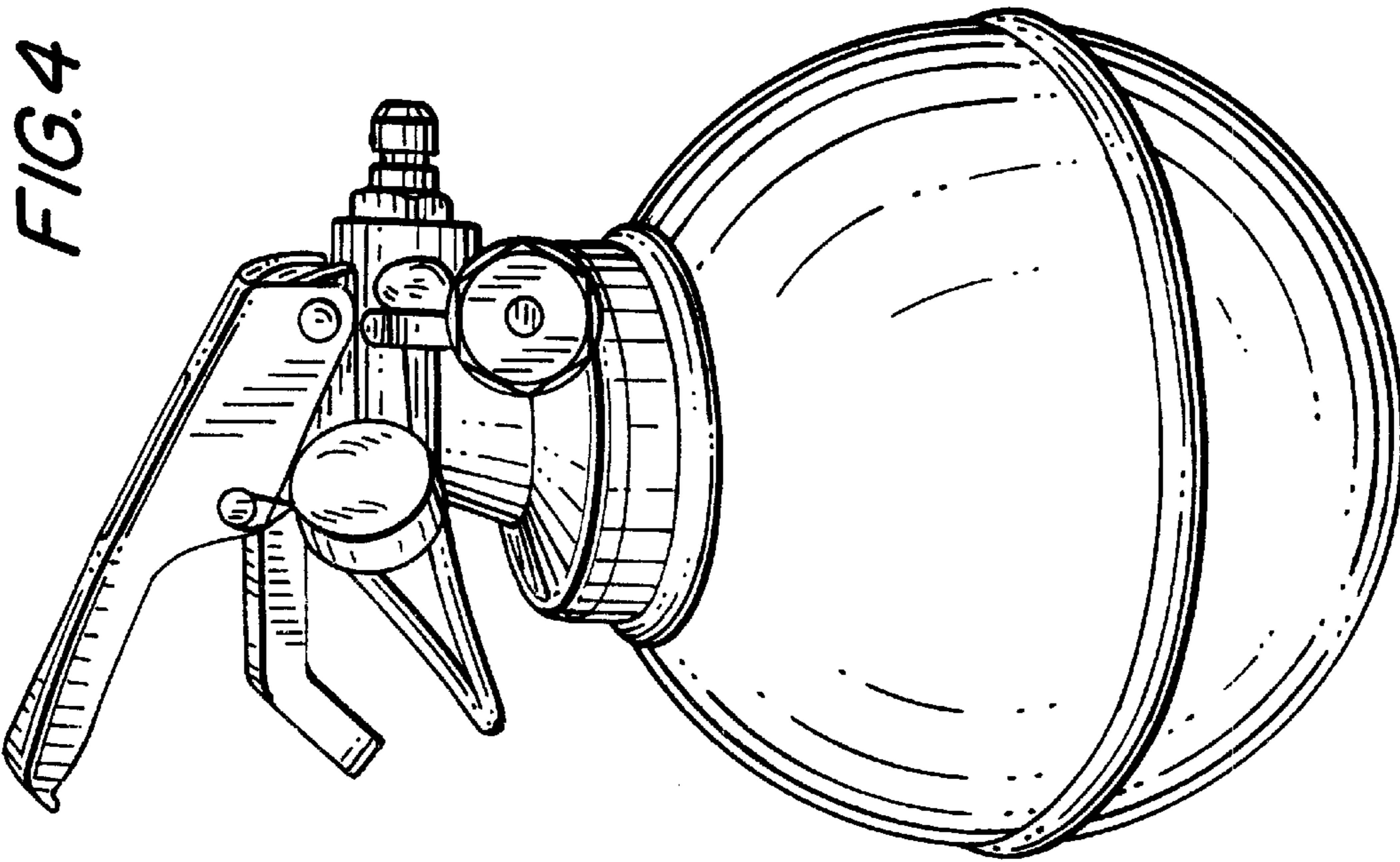


FIG. 6

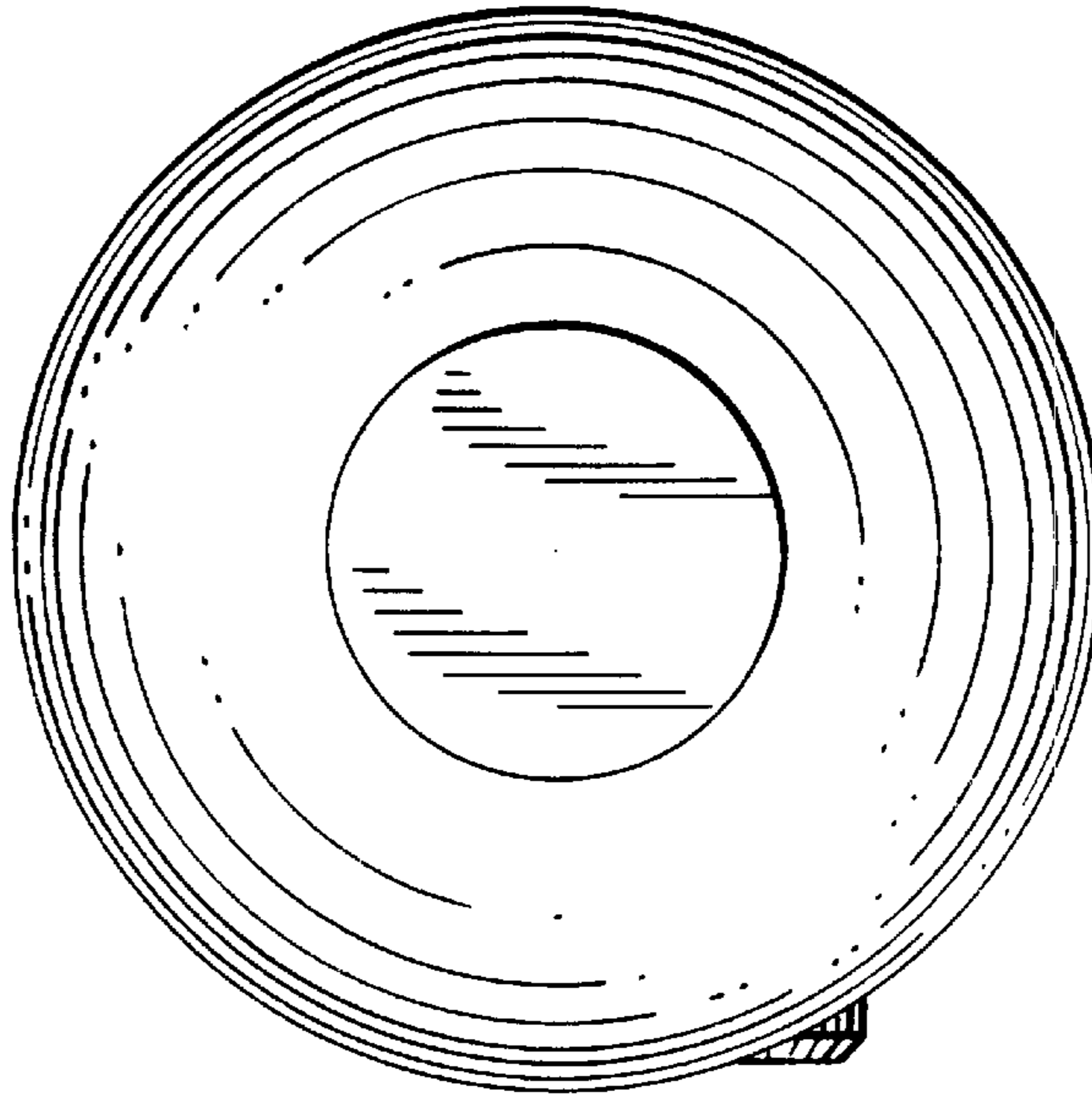


FIG. 5

