



US00D542476S

(12) **United States Design Patent**  
**Carpentier**

(10) **Patent No.:** **US D542,476 S**

(45) **Date of Patent:** **\*\* May 8, 2007**

(54) **BODY ARMOR THIGH PROTECTOR**

(76) Inventor: **Jerome Le Carpentier**, La Haute  
Equerre, 27270 Broglie (FR)

(\*\*) Term: **14 Years**

(21) Appl. No.: **29/237,563**

(22) Filed: **Sep. 1, 2005**

(51) **LOC (8) Cl.** ..... **29-02**

(52) **U.S. Cl.** ..... **D29/120.1**

(58) **Field of Classification Search** ..... D29/100,  
D29/101.1, 101.2, 101.3, 101.4, 101.5, 120.1,  
D29/120.2, 121.1, 121.2; D2/901; D24/190;  
2/16, 20, 21, 22, 23, 24, 62, 267, 455, 461,  
2/459, 463, 910, 911; 602/3, 5, 6, 16, 23,  
602/26

See application file for complete search history.

(56) **References Cited**

**U.S. PATENT DOCUMENTS**

|           |   |   |         |               |       |           |
|-----------|---|---|---------|---------------|-------|-----------|
| 1,744,384 | A | * | 1/1930  | Hood          | ..... | D29/100   |
| 1,991,721 | A | * | 2/1935  | Becket et al. | ..... | 2/22      |
| 2,266,886 | A | * | 12/1941 | McCoy         | ..... | 2/461     |
| D232,496  | S | * | 8/1974  | Rawlings      | ..... | D29/120.1 |
| D278,279  | S | * | 4/1985  | Vacanti       | ..... | D29/100   |
| D280,145  | S | * | 8/1985  | Vacanti       | ..... | D29/120.1 |
| D280,250  | S | * | 8/1985  | Vacanti       | ..... | D29/120.1 |
| 4,642,815 | A | * | 2/1987  | Allen         | ..... | 2/459     |
| 4,700,403 | A | * | 10/1987 | Vacanti       | ..... | 2/455     |
| 4,707,861 | A | * | 11/1987 | Lavoie et al. | ..... | 2/16      |
| 5,187,812 | A | * | 2/1993  | Neuhalfen     | ..... | 2/267     |
| D355,052  | S | * | 1/1995  | Paikos et al. | ..... | D29/100   |

|           |   |   |         |             |       |       |
|-----------|---|---|---------|-------------|-------|-------|
| 5,491,840 | A | * | 2/1996  | Yen         | ..... | 2/461 |
| 5,713,837 | A | * | 2/1998  | Grim et al. | ..... | 602/5 |
| 5,881,395 | A | * | 3/1999  | Donzis      | ..... | 2/455 |
| 5,943,695 | A | * | 8/1999  | Yen         | ..... | 2/16  |
| 6,146,348 | A | * | 11/2000 | Slutterback | ..... | 602/5 |

\* cited by examiner

*Primary Examiner*—T. Chase Nelson

(74) *Attorney, Agent, or Firm*—Pryor Cashman Sherman & Flynn LLP; Barry E. Negrin

(57) **CLAIM**

The ornamental design for a body armor thigh protector, substantially as shown and described.

**DESCRIPTION**

FIG. 1 is a front perspective view of the body armor thigh protector according to the invention.

FIG. 2 is a slightly enlarged rear elevation view of the body armor thigh protector of FIG. 1 in an alternate, flattened configuration.

FIG. 3 is a left elevation view of the body armor thigh protector of FIG. 1.

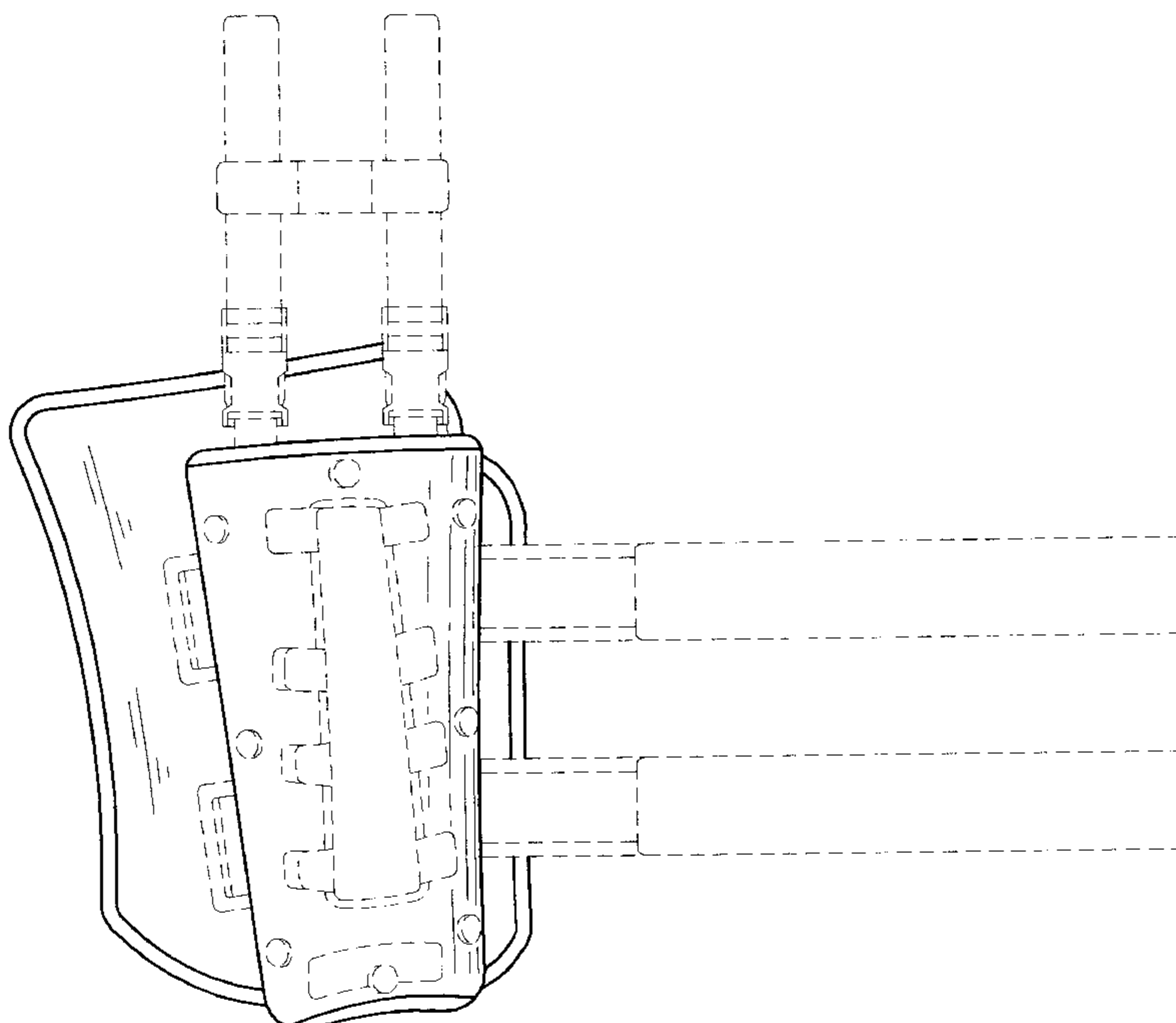
FIG. 4 is a right elevation view of the body armor thigh protector of FIG. 1.

FIG. 5 is a top elevation view of the body armor thigh protector of FIG. 1; and,

FIG. 6 is a bottom elevation view of the body armor thigh protector of FIG. 1.

The broken line portions of the drawings, including the straps, buckles, stitching, and reinforcing ribs are environmental and do not form part of the claimed design.

**1 Claim, 4 Drawing Sheets**



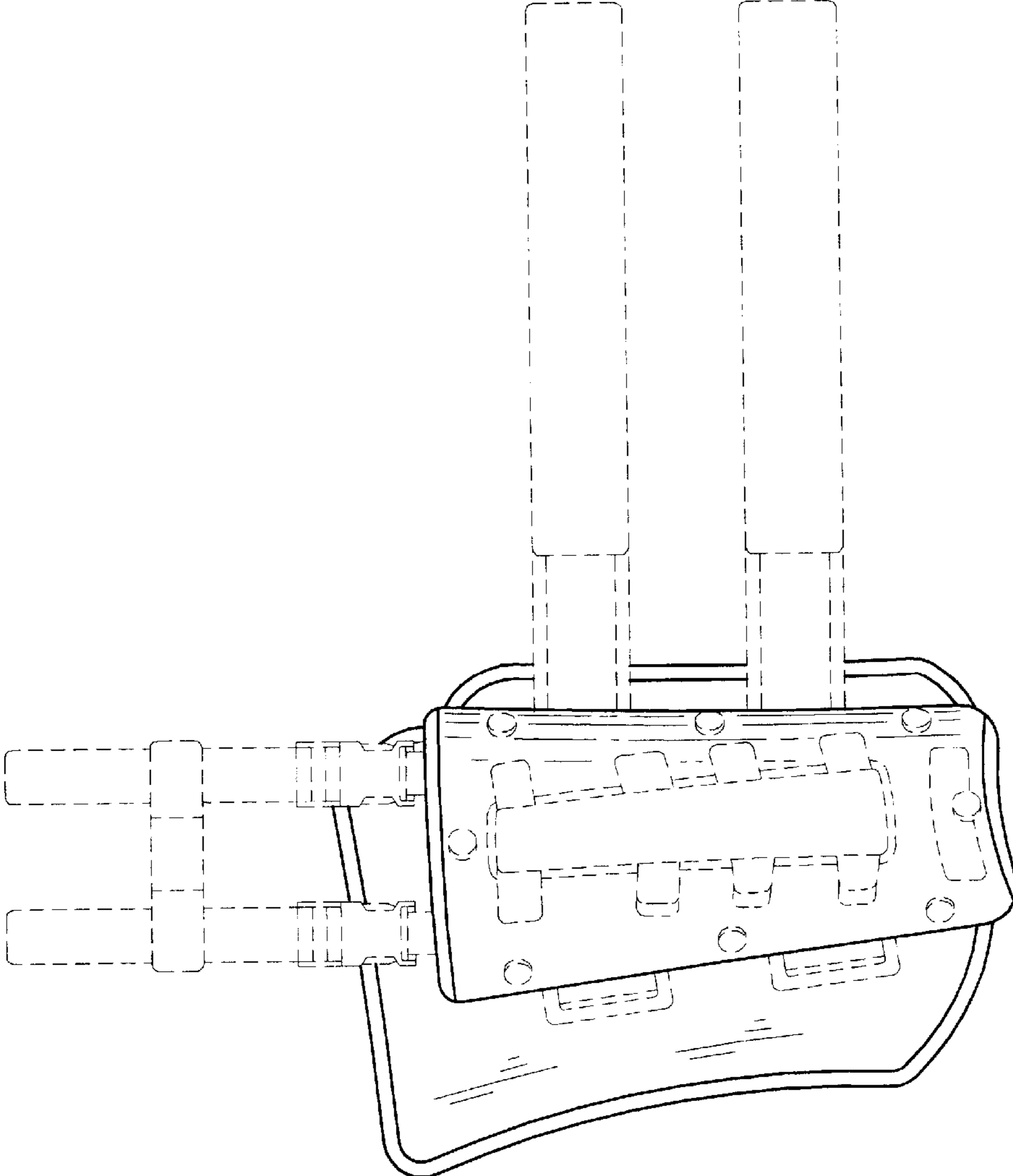


FIG. 1

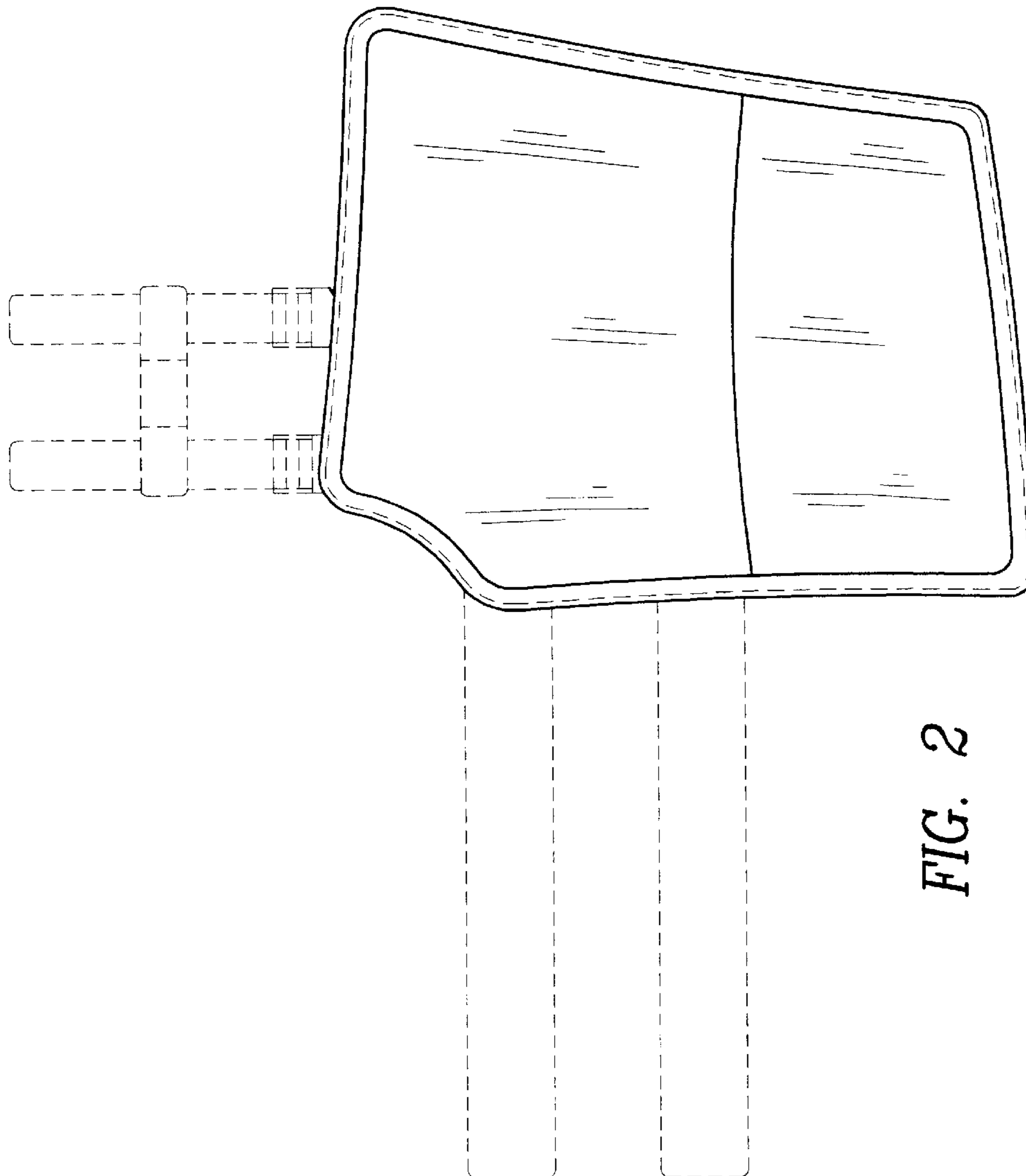


FIG. 2

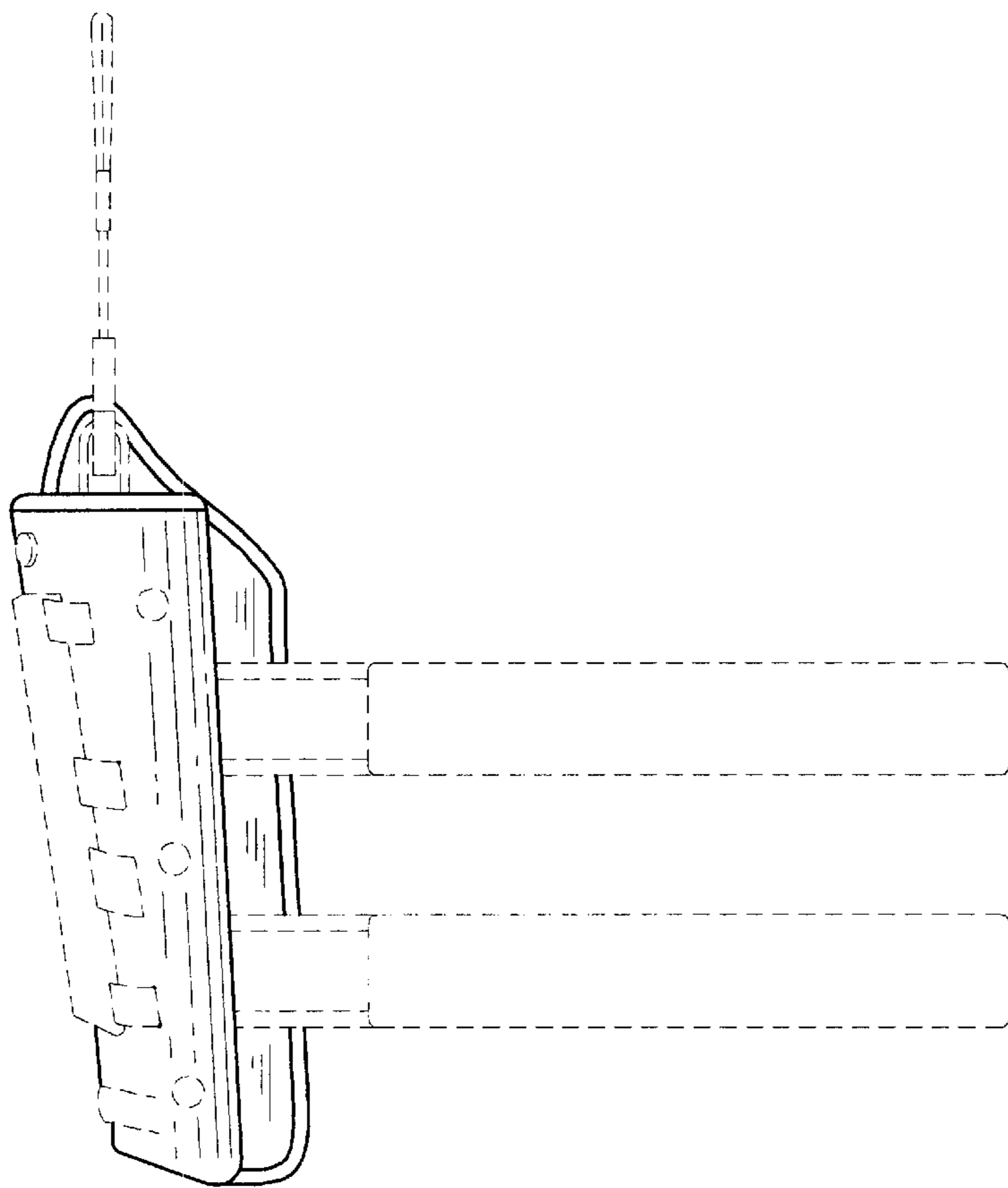


FIG. 3

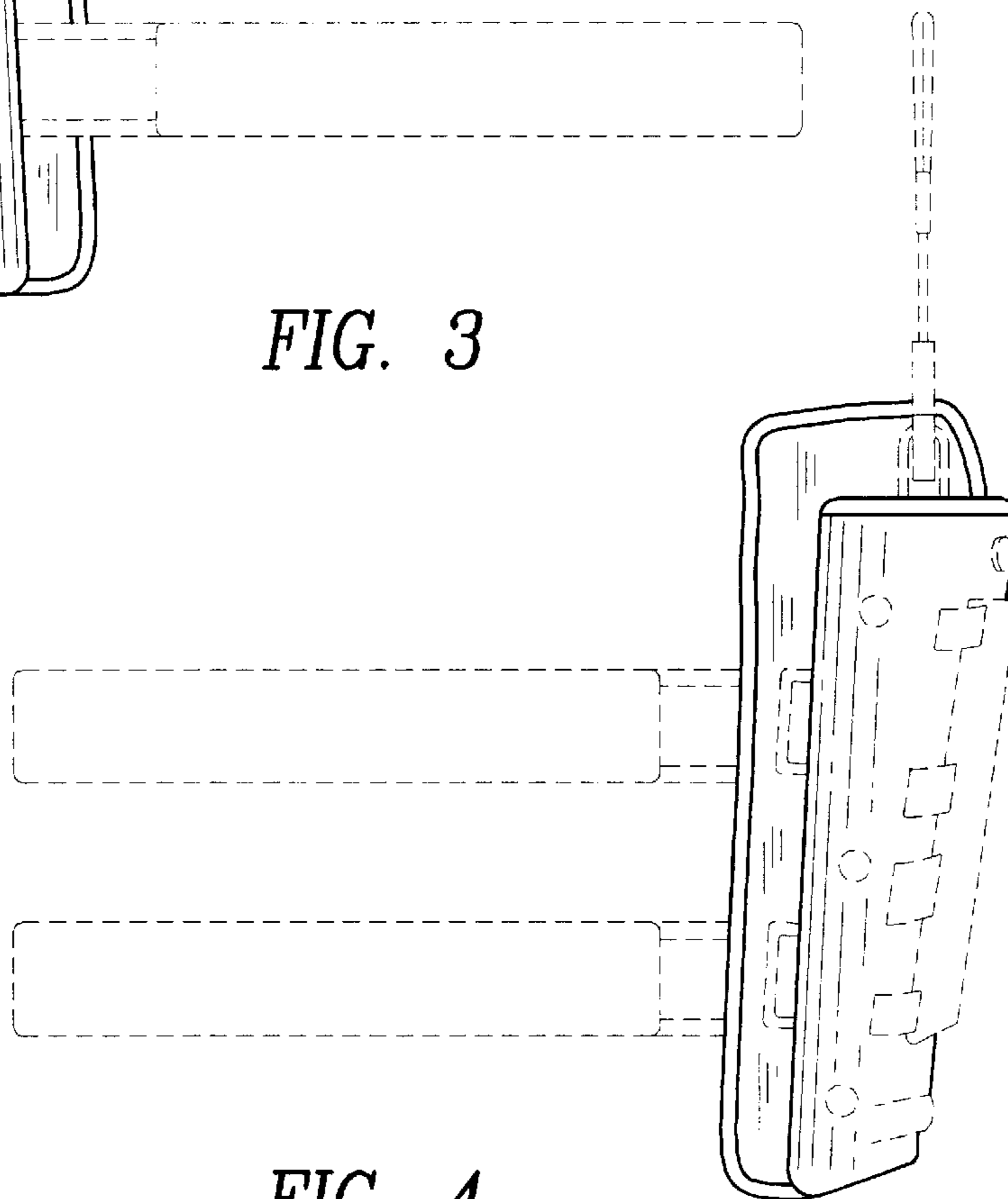


FIG. 4

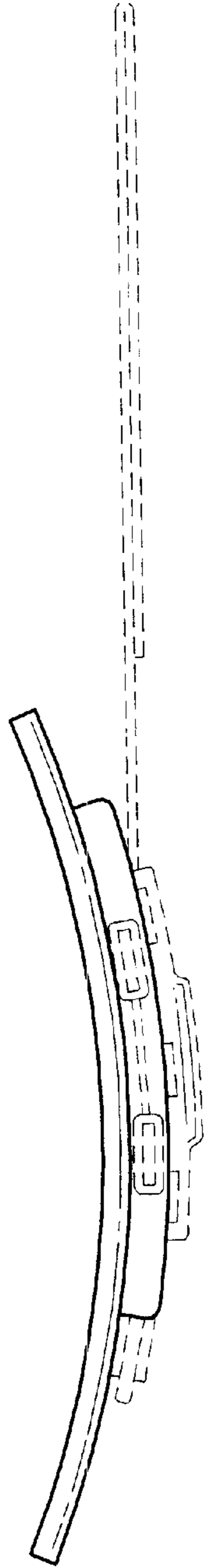


FIG. 5

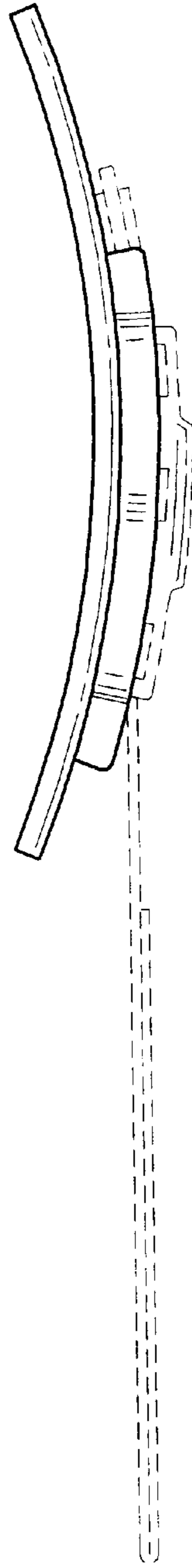


FIG. 6