

US00D542475S

(12) **United States Design Patent**
Martinez

(10) **Patent No.:** **US D542,475 S**

(45) **Date of Patent:** **** May 8, 2007**

(54) **COMPACT**

D498,879 S 11/2004 Martinez
D505,752 S 5/2005 Martinez
D512,533 S * 12/2005 Martinez D28/83

(75) Inventor: **Sabine Martinez**, New York, NY (US)

* cited by examiner

(73) Assignee: **L'Oreal USA Creative, Inc.**, New York, NY (US)

Primary Examiner—Jennifer Rivard
(74) *Attorney, Agent, or Firm*—Baker Botts L.L.P.

(**) Term: **14 Years**

(57) **CLAIM**

(21) Appl. No.: **29/244,422**

I claim the ornamental design for the compact, as shown and described.

(22) Filed: **Dec. 9, 2005**

(51) **LOC (8) Cl.** **28-03**

(52) **U.S. Cl.** **D28/83**

(58) **Field of Classification Search** D28/76-83;
132/293-307, 315; 208/581, 823
See application file for complete search history.

DESCRIPTION

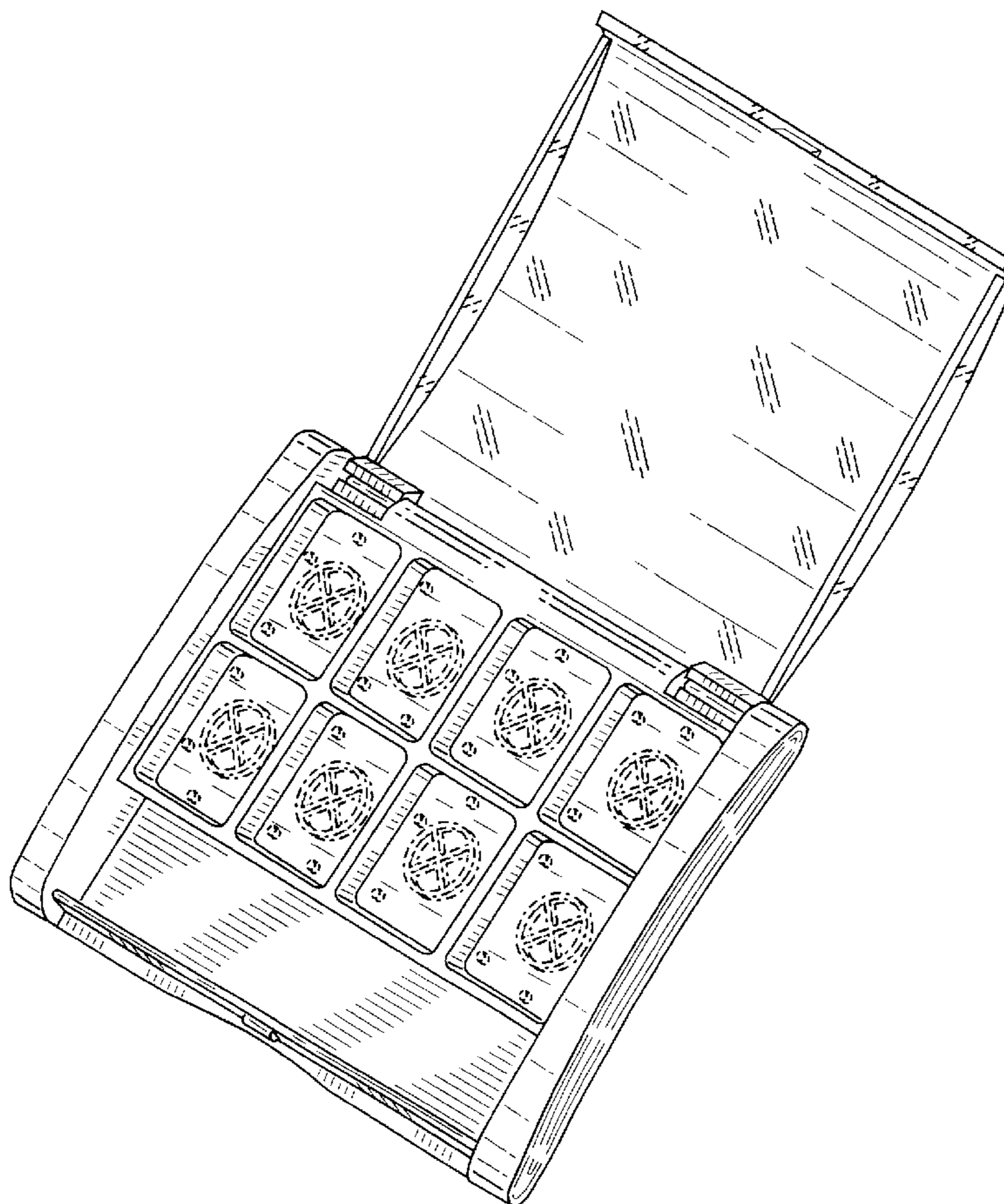
FIG. 1 is a perspective view of the compact;
FIG. 2 is a top view of the compact;
FIG. 3 is a bottom view of the compact;
FIG. 4 is a front side view of the compact;
FIG. 5 is a right side view of the compact; and,
FIG. 6 is a rear side view of the compact.
The broken lines are shown for illustrative purposes only and form no part of the claimed design.

(56) **References Cited**

U.S. PATENT DOCUMENTS

5,655,553 A * 8/1997 Giese et al. 132/303
D433,773 S * 11/2000 Gavin D28/83
D478,397 S * 8/2003 Bakic D28/83

1 Claim, 4 Drawing Sheets



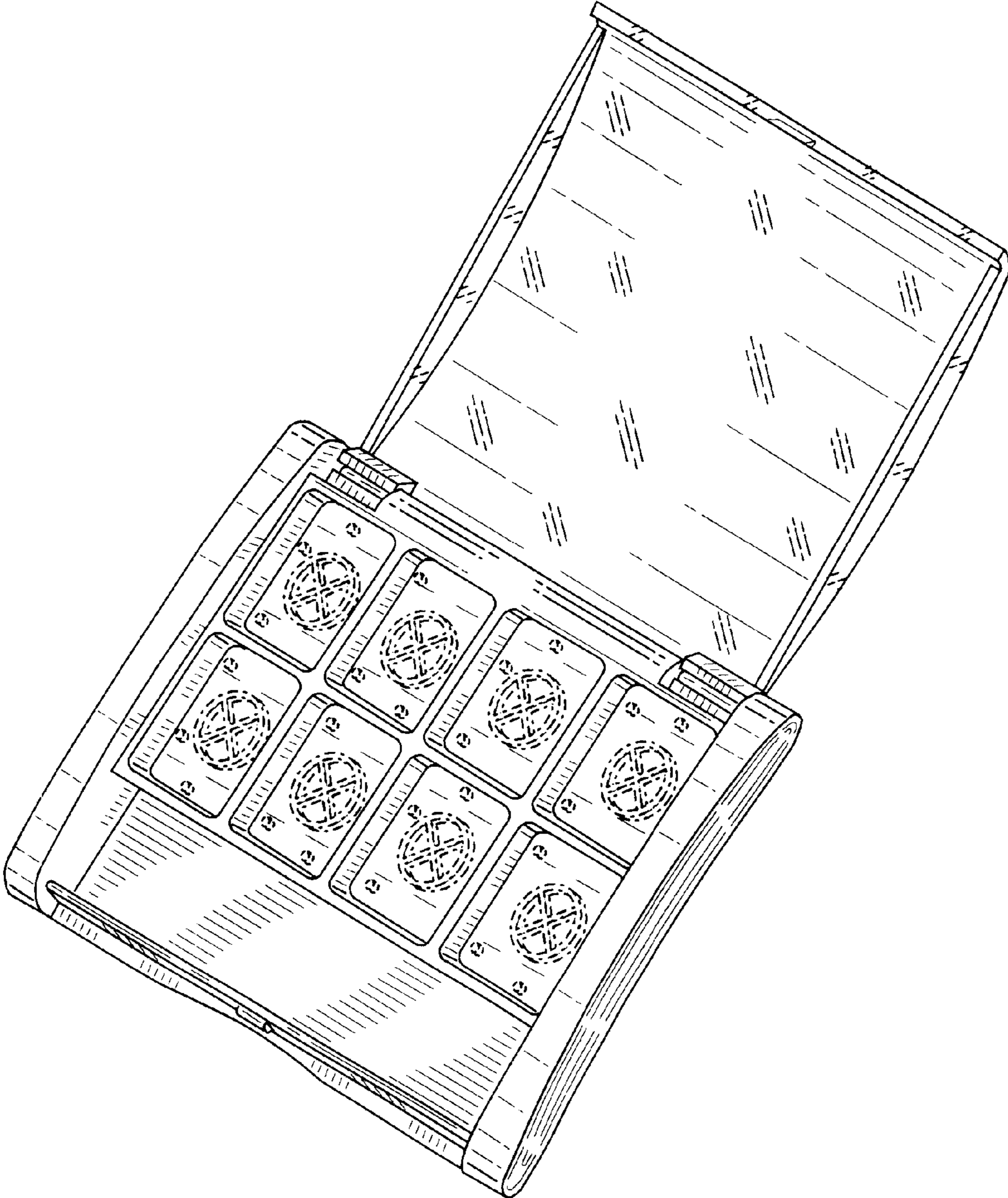


FIG. 1

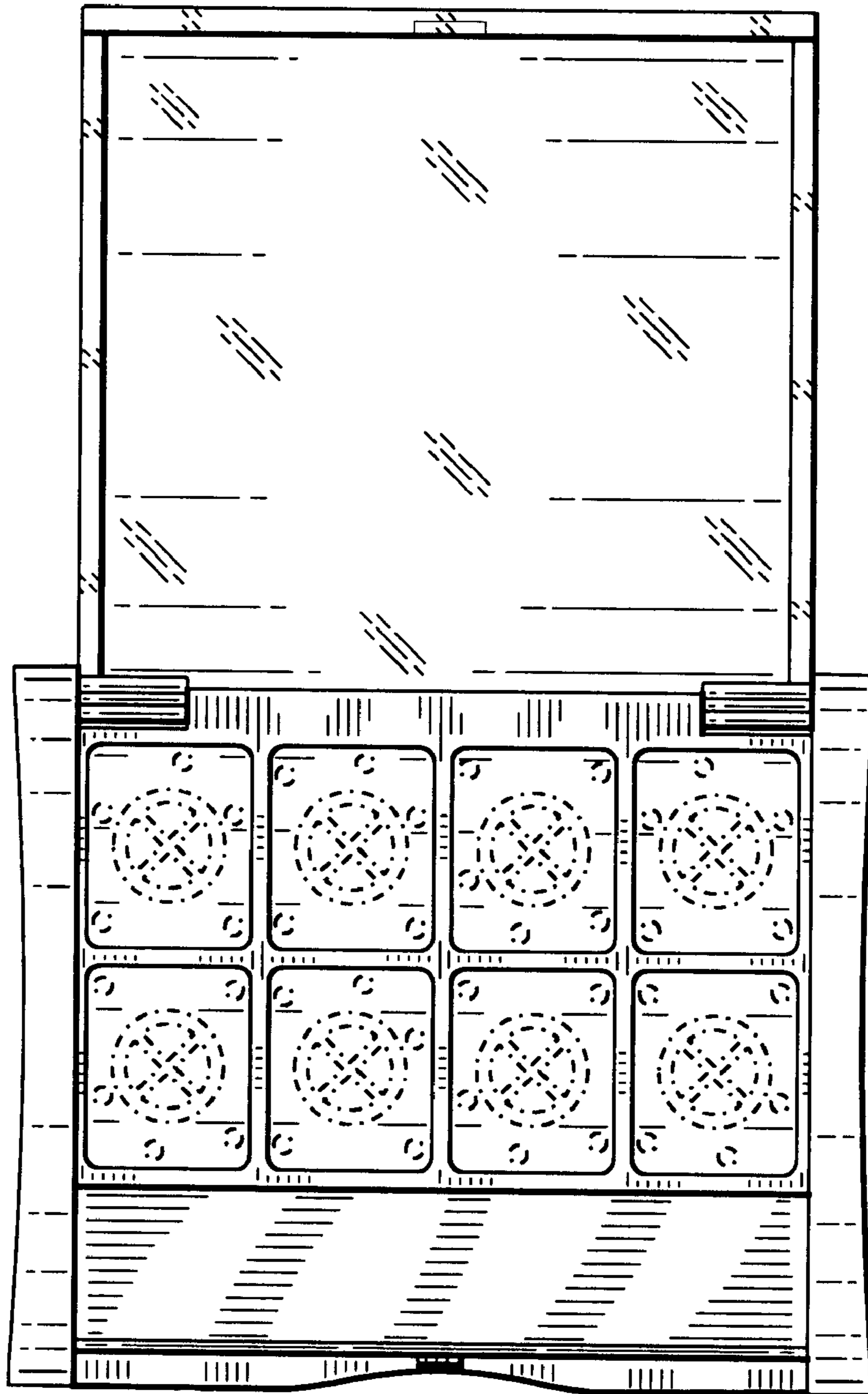


FIG. 2

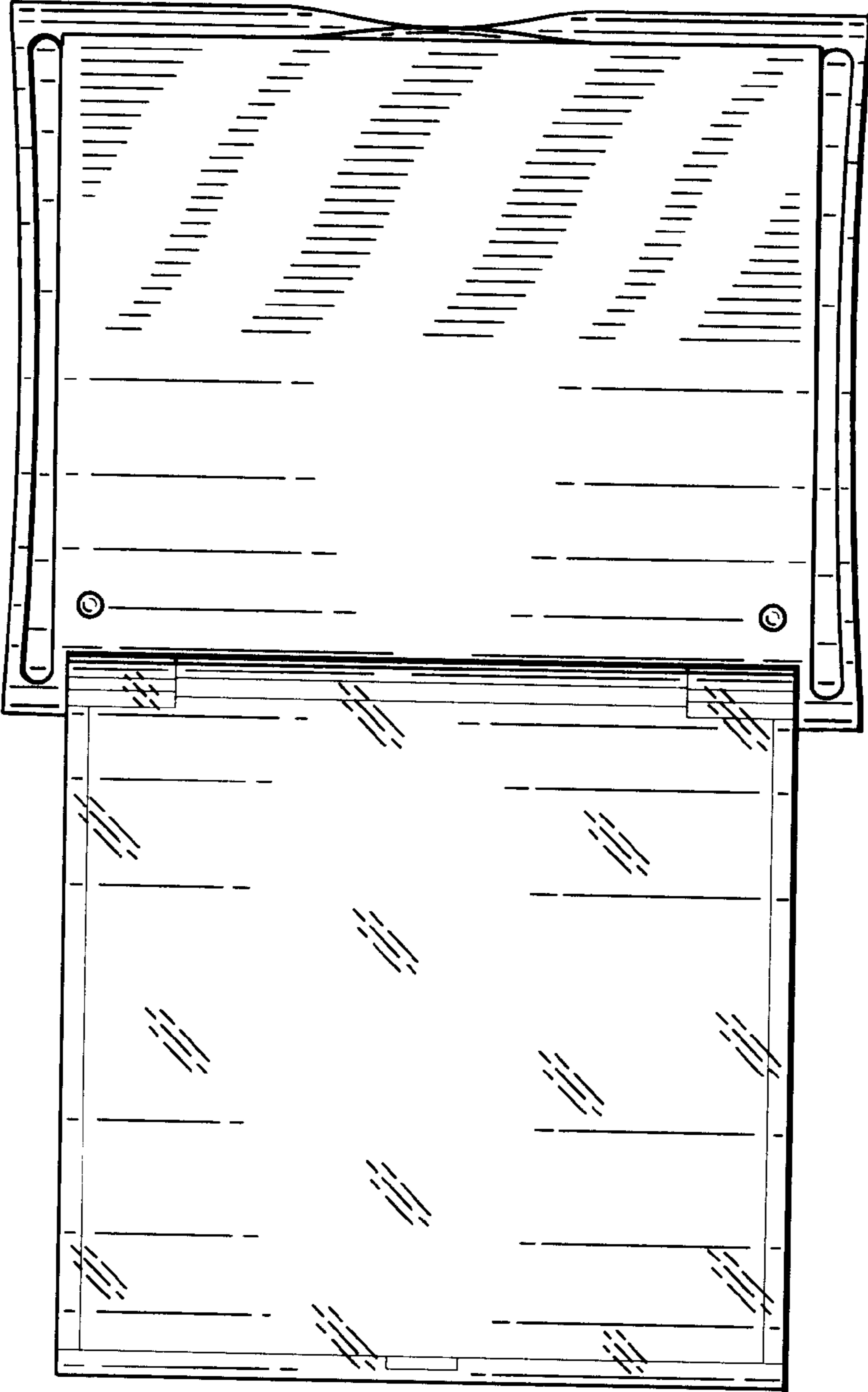


FIG. 3

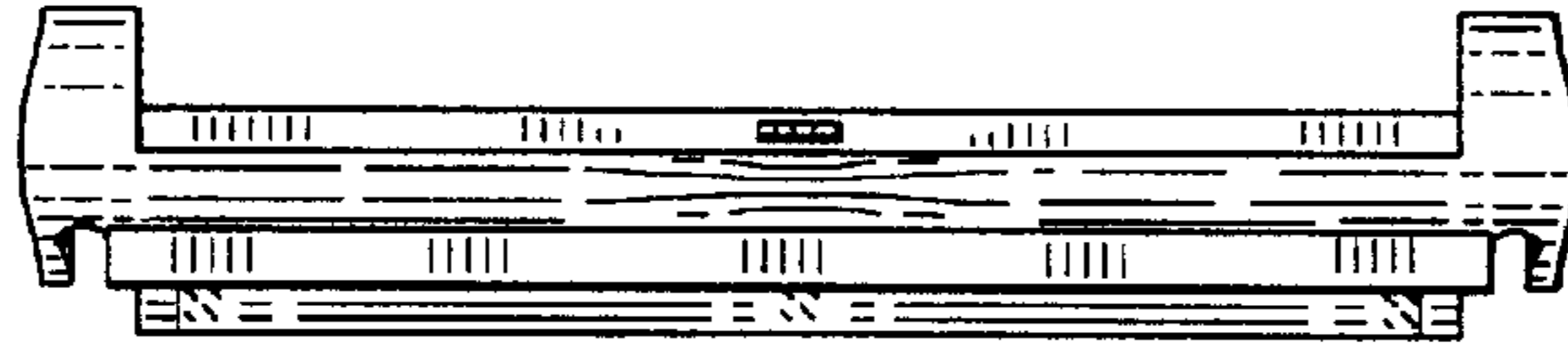


FIG. 4

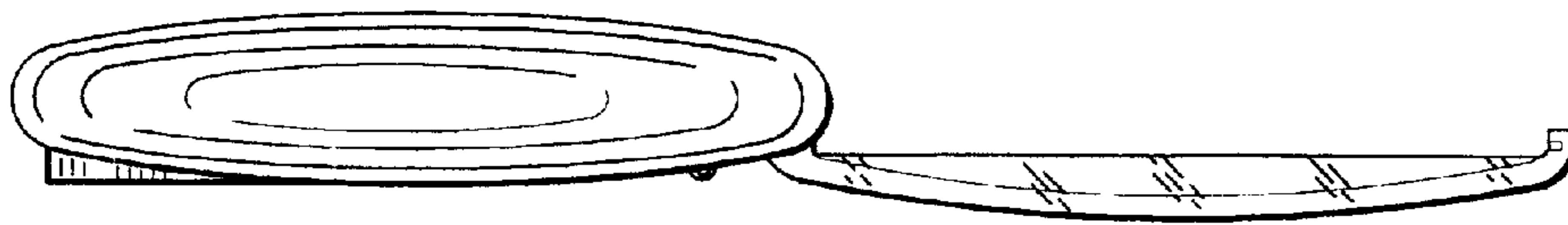


FIG. 5

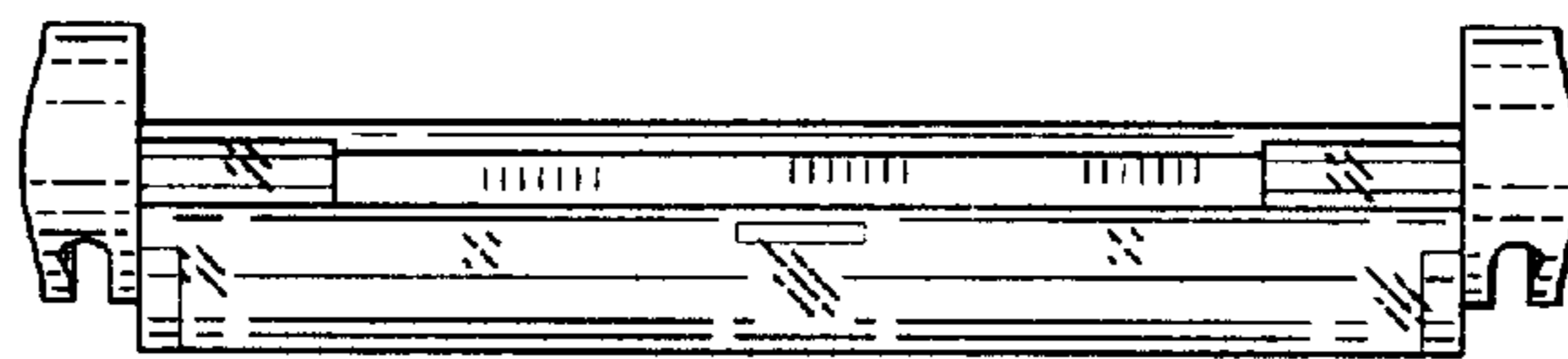


FIG. 6