

US00D542466S

(12) **United States Design Patent**
Polloni et al.

(10) **Patent No.:** **US D542,466 S**

(45) **Date of Patent:** **** May 8, 2007**

(54) **CIGARETTE PACKET**

(75) Inventors: **Roberto Polloni**, Modigliana (IT);
Marco Brizzi, Zola Predosa (IT)

(73) Assignee: **G.D Societa' per Azioni**, Bologna (IT)

(**) Term: **14 Years**

(21) Appl. No.: **29/242,882**

(22) Filed: **Nov. 15, 2005**

(30) **Foreign Application Priority Data**

May 17, 2005 (EM) 000345301

(51) **LOC (8) Cl.** **27-06**

(52) **U.S. Cl.** **D27/189**

(58) **Field of Classification Search** 206/236–242,
206/245, 246, 248, 256–259, 261–275; D27/186,
D27/189, 191; D9/430; 229/160.1
See application file for complete search history.

(56) **References Cited**

U.S. PATENT DOCUMENTS

3,028,950 A * 4/1962 Content 206/246

6,467,614 B1 * 10/2002 Tallier et al. 206/264
D495,824 S * 9/2004 Bray et al. D27/189
D503,014 S * 3/2005 Bray et al. D27/189
D513,645 S * 1/2006 Bray et al. D27/189

* cited by examiner

Primary Examiner—Jennifer Rivard

(74) *Attorney, Agent, or Firm*—Ladas and Parry LLP

(57) **CLAIM**

The ornamental design for a cigarette packet, substantially as shown and described.

DESCRIPTION

FIG. 1 is a perspective front view of our new design relating to a cigarette packet in a closed position;

FIG. 2 is a perspective front view of our new design in a completely open position;

FIG. 3 is a perspective front view of our new design in a partially open position; and,

FIG. 4 is a perspective back view of our new design in a closed position.

1 Claim, 2 Drawing Sheets

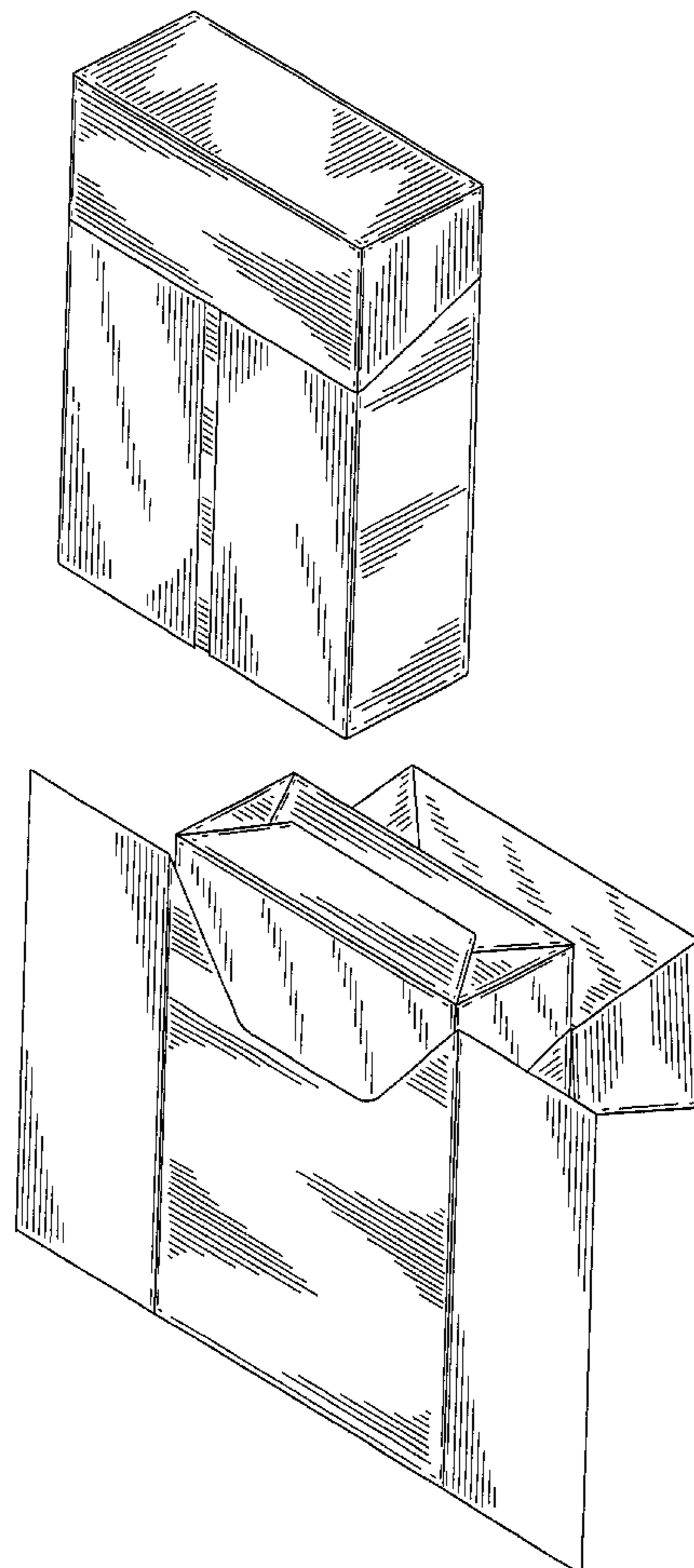


FIG. 1

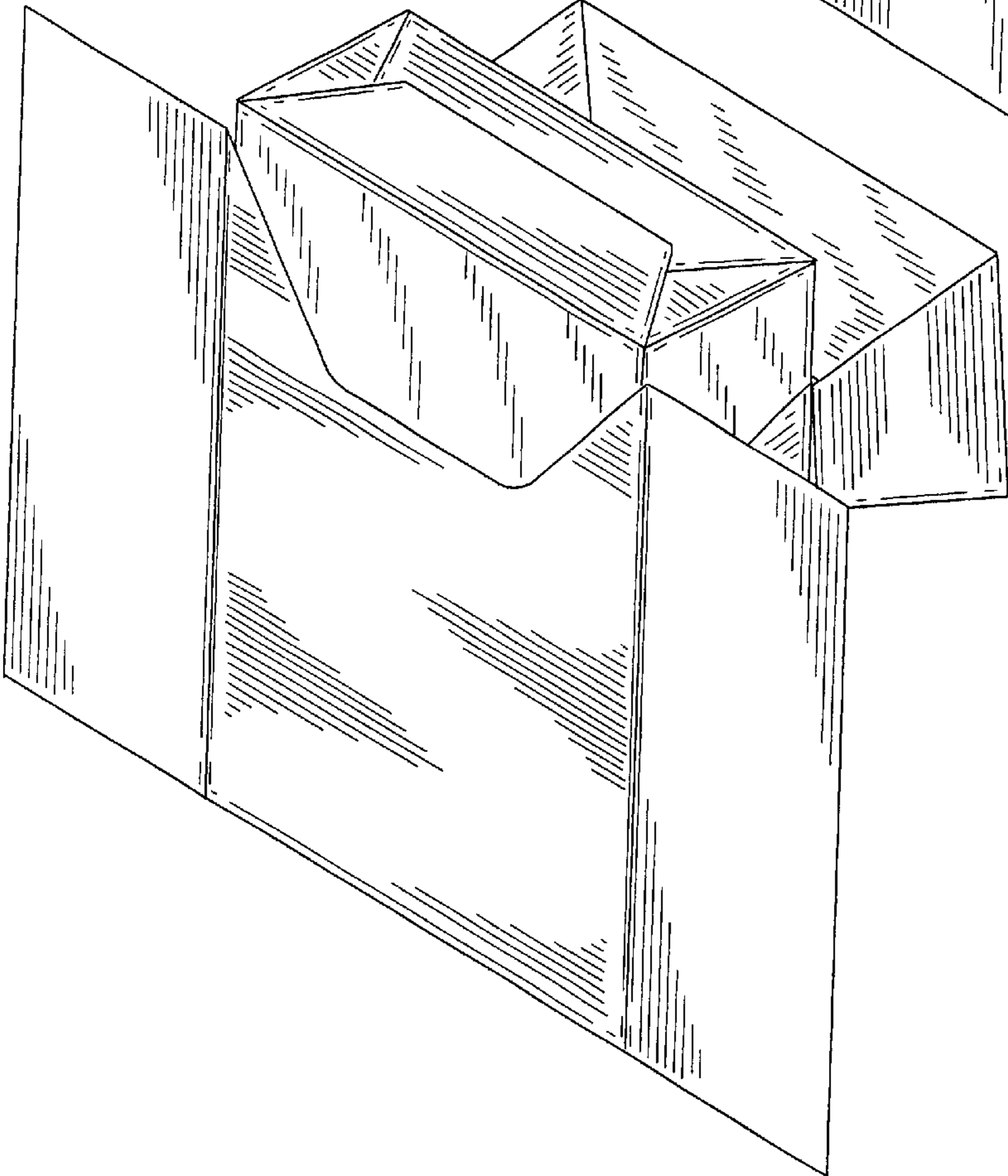
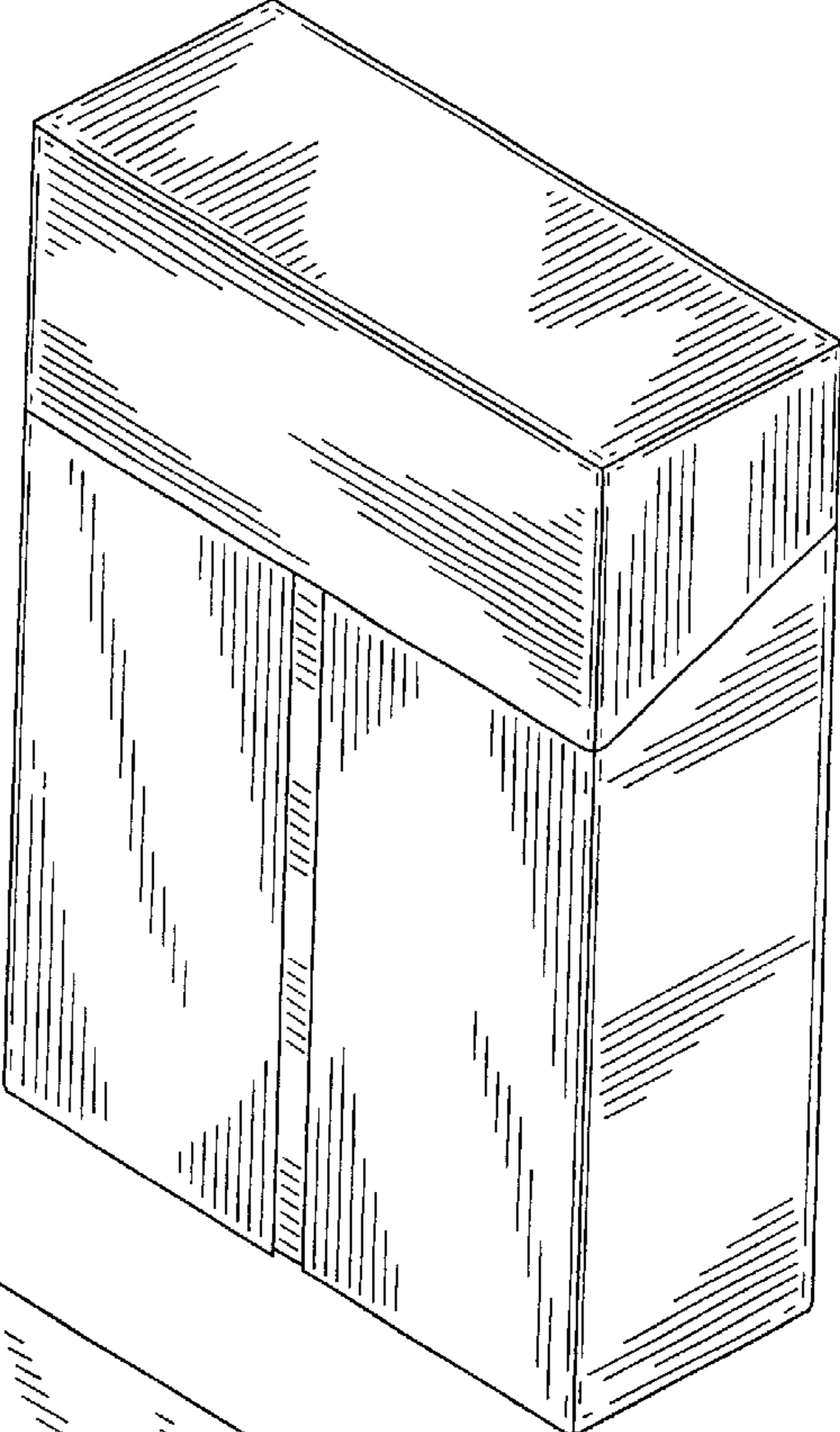


FIG. 2

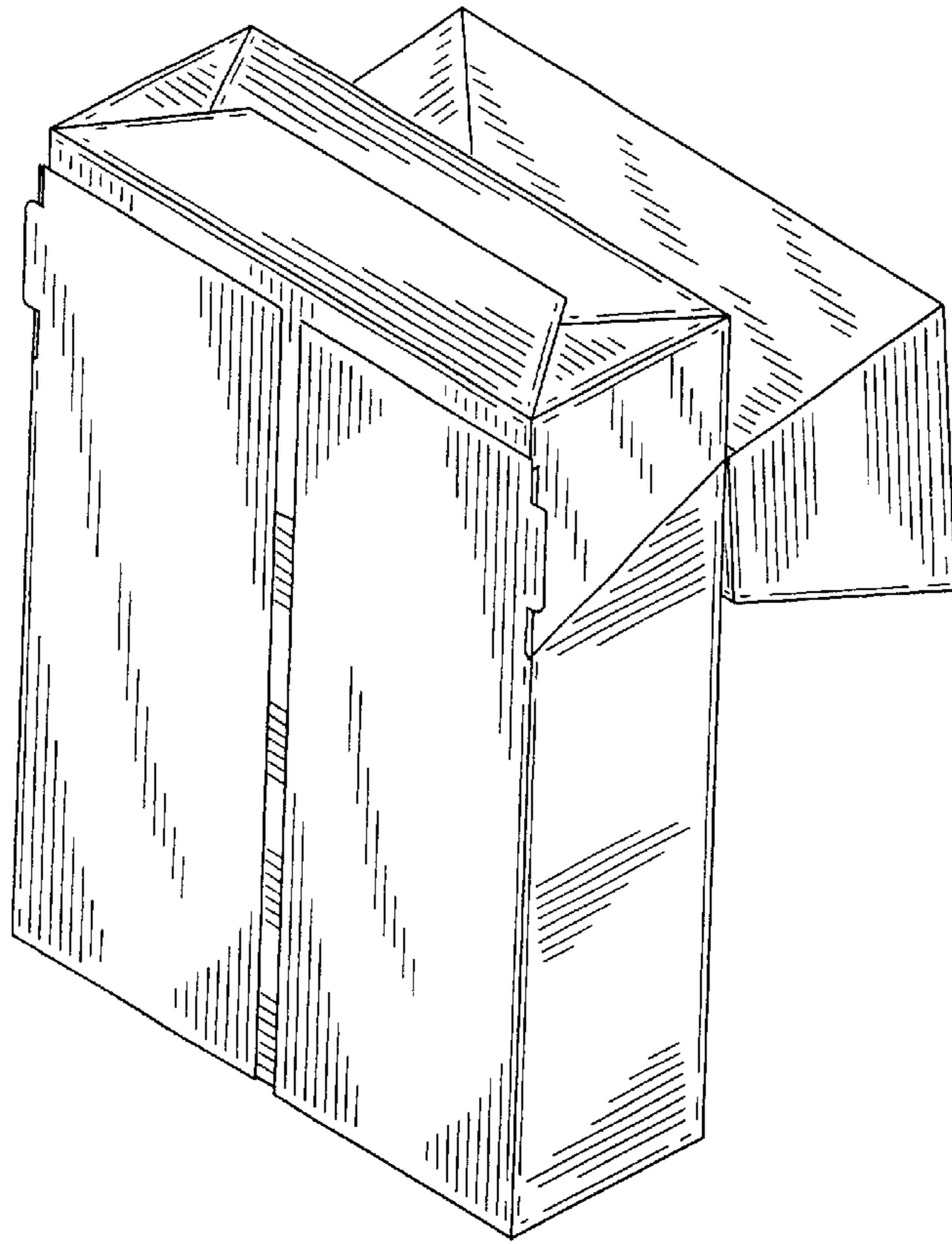


FIG. 3

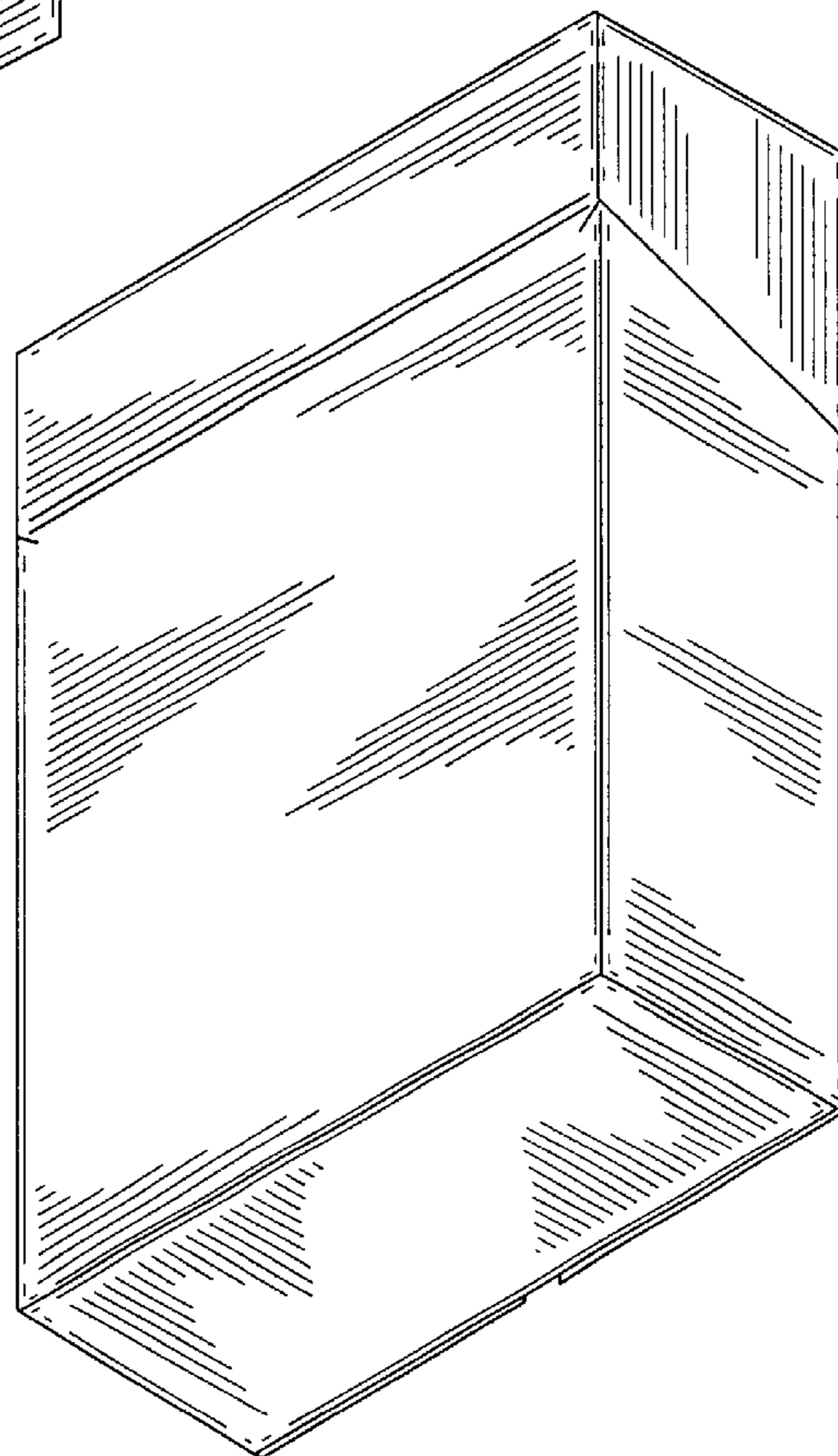


FIG. 4