



US00D542461S

(12) **United States Design Patent** (10) **Patent No.:** **US D542,461 S**
Hidalgo (45) **Date of Patent:** **** May 8, 2007**

(54) **LIGHTING FIXTURE**

(75) Inventor: **Rolando Hidalgo**, Orange, CA (US)

(73) Assignee: **Minka Lighting, Inc.**, Corona, CA (US)

(**) Term: **14 Years**

(21) Appl. No.: **29/226,718**

(22) Filed: **Mar. 31, 2005**

(51) **LOC (8) Cl.** **26-99**

(52) **U.S. Cl.** **D26/128**

(58) **Field of Classification Search** D26/24,
D26/51, 59, 72, 85, 88, 128, 129, 113, 118,
D26/119, 123, 124; D23/377, 379, 370; 362/147,
362/253, 257, 326, 362, 363, 365, 373, 404
See application file for complete search history.

(56) **References Cited**

U.S. PATENT DOCUMENTS

D48,358 S	*	1/1916	Adam	D26/88
D89,851 S	*	5/1933	Metz	D26/131
D125,312 S	*	2/1941	Logan	D26/88
D225,371 S	*	12/1972	Schaefer	D26/123
4,342,073 A	*	7/1982	Ranten	362/294
4,831,505 A	*	5/1989	Van Norman	362/216
D346,858 S	*	5/1994	Lee	D23/377
D354,369 S	*	1/1995	Pearce	D26/85
D384,737 S	*	10/1997	Gee, II	D23/377
D421,507 S	*	3/2000	Borders et al.	D26/118
D425,610 S	*	5/2000	Gee, II	D23/377
D476,728 S	*	7/2003	Gajewski	D23/377
D481,489 S	*	10/2003	Cline et al.	D26/128

OTHER PUBLICATIONS

- US. Appl. No. 29/214,305, Rolando Hidalgo.
- US. Appl. No. 29/214,289, Rolando Hidalgo.
- US. Appl. No. 29/214,293, Rolando Hidalgo.
- US. Appl. No. 29/214,263, Rolando Hidalgo.

- US. Appl. No. 29/214,282, Rolando Hidalgo.
- US. Appl. No. 29/214,288, Rolando Hidalgo.
- US. Appl. No. 29/226,756, Rolando Hidalgo.
- US. Appl. No. 29/226,762, Rolando Hidalgo.
- US. Appl. No. 29/226,764, Rolando Hidalgo.
- US. Appl. No. 29/226,696, Rolando Hidalgo.
- US. Appl. No. 29/226,650, Rolando Hidalgo.
- MinkaAire Internet Catalog; Adare; Model #F706-DRB; printed from www.fanshack.com on May 11, 2005.
- MinkaAire Internet Catalog; Mystique; Model #F611-GBZ; printed from www.fanshack.com on May 11, 2005.
- Emerson Internet Catalog; High Country; Model #KF160OI; printed from www.hansenwholesale.com on Apr. 21, 2005.
- Emerson Internet Catalog; Contours; Model #EM-KF140AP; printed from www.hansenwholesale.com on Apr. 21, 2005.

* cited by examiner

Primary Examiner—Freda S. Nunn

Assistant Examiner—Kevin K. Rudzinski

(74) *Attorney, Agent, or Firm*—Bakers & McKenzie LLP

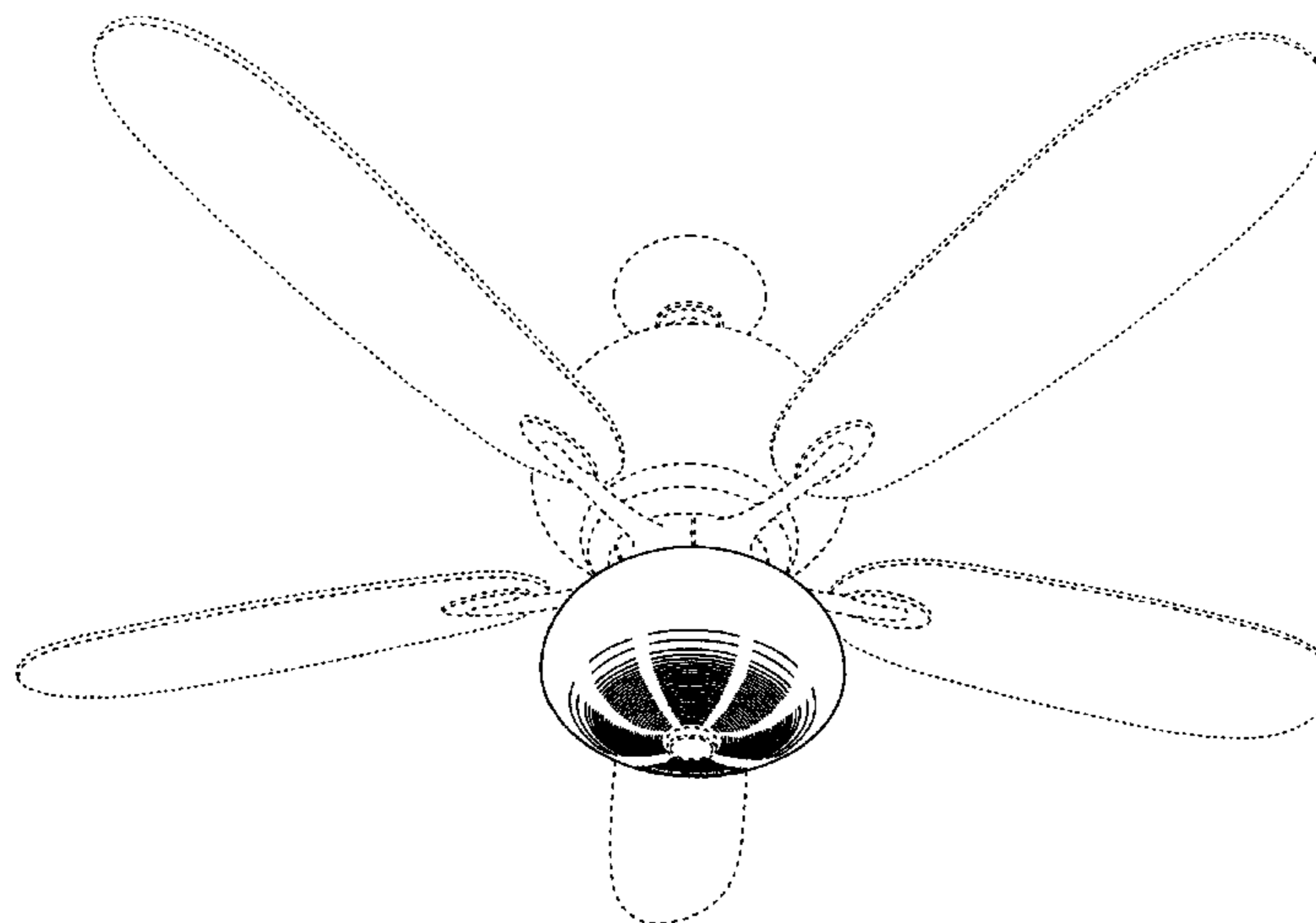
(57) **CLAIM**

The ornamental design for a lighting fixture, as shown and described.

DESCRIPTION

FIG. 1 is a bottom perspective view of the light fixture in accordance with my design;
 FIG. 2 is a top plan view of the lighting fixture in accordance with my design;
 FIG. 3 is a side elevation view of the lighting fixture in accordance with my design; and,
 FIG. 4 is bottom plan view of the lighting fixture in accordance with my design.
 The broken lines showing environmental structure are for illustrative purposes and form no part of the claimed design.

1 Claim, 2 Drawing Sheets



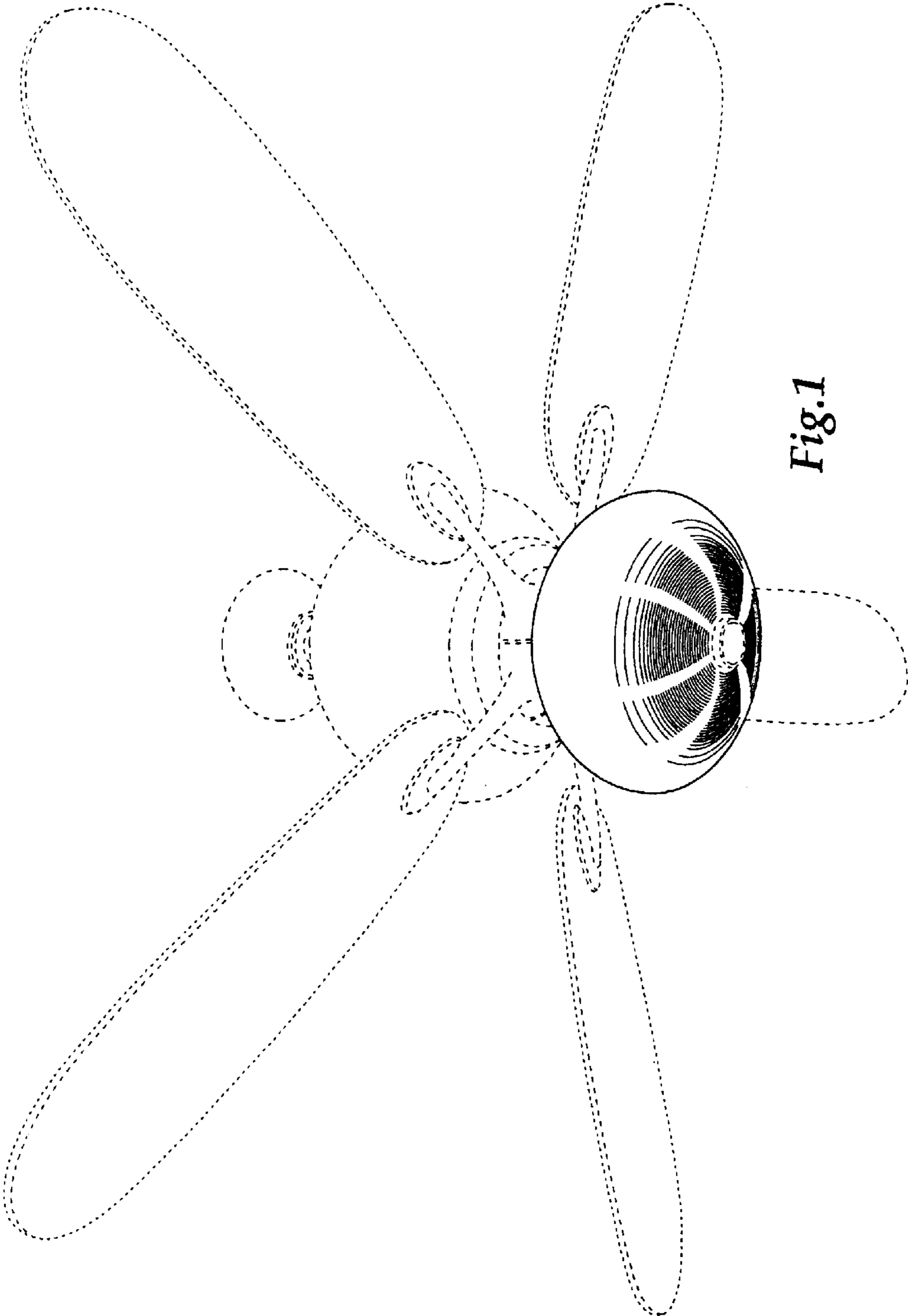


Fig.1

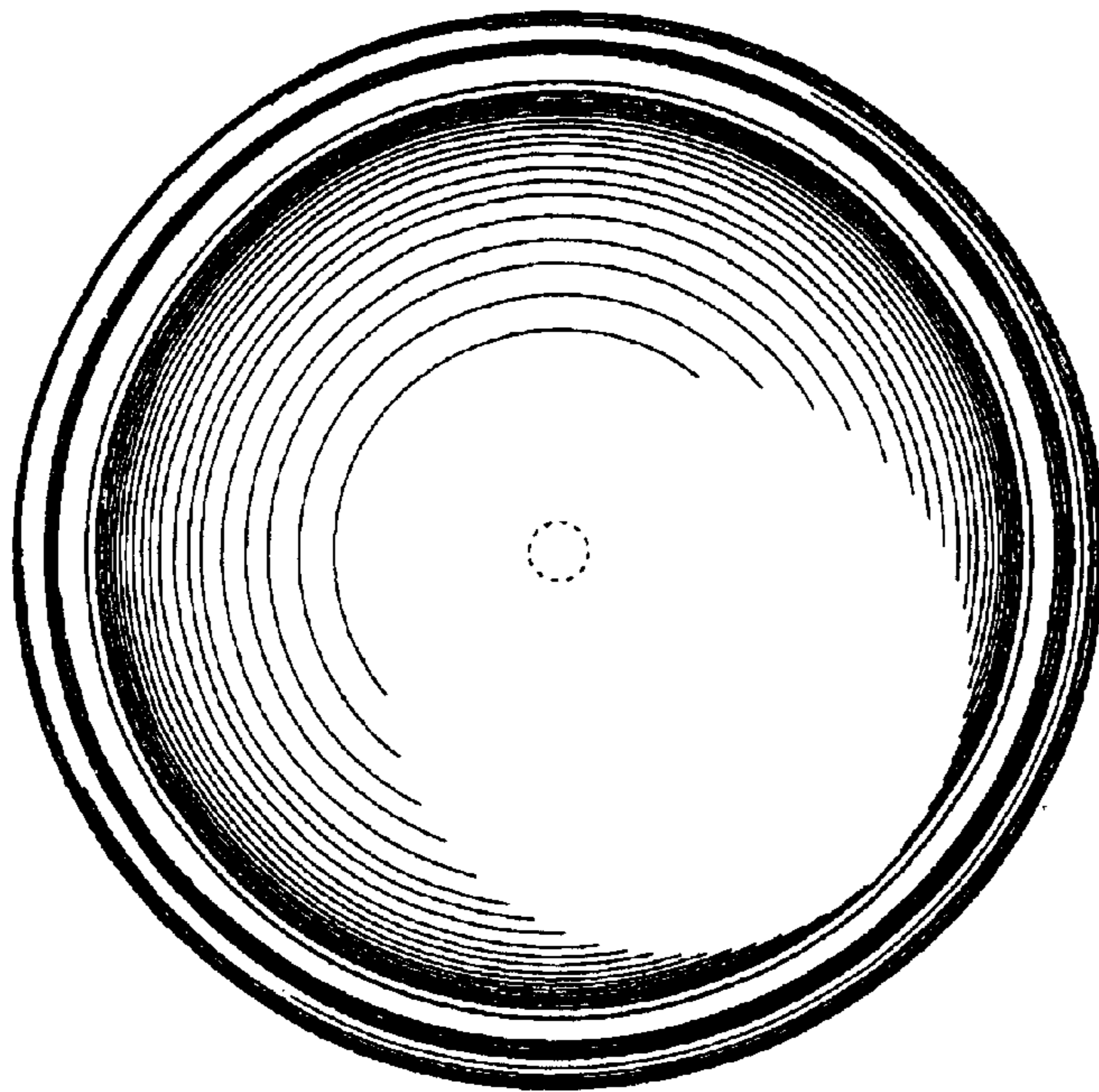


Fig.2

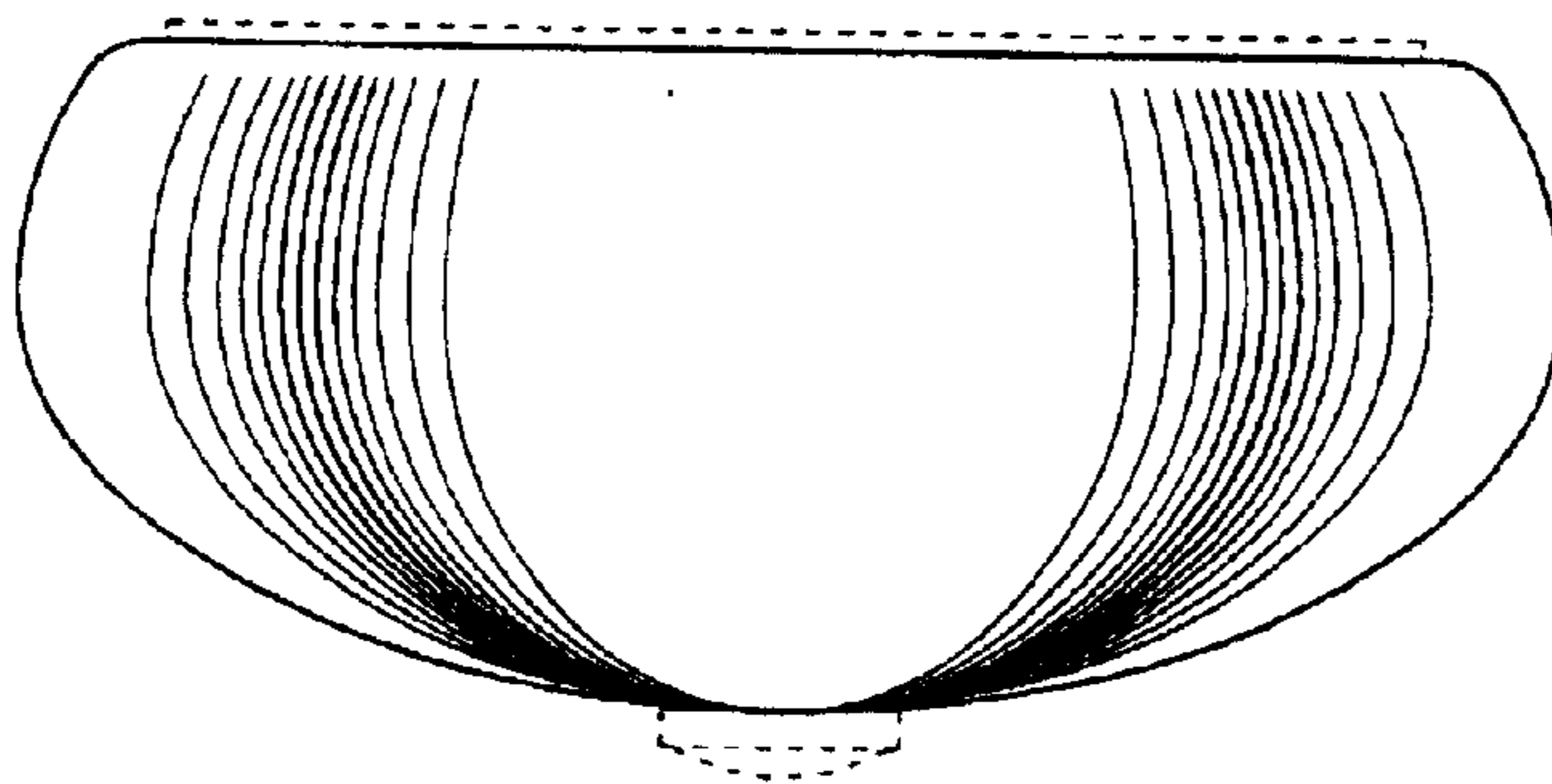


Fig.3

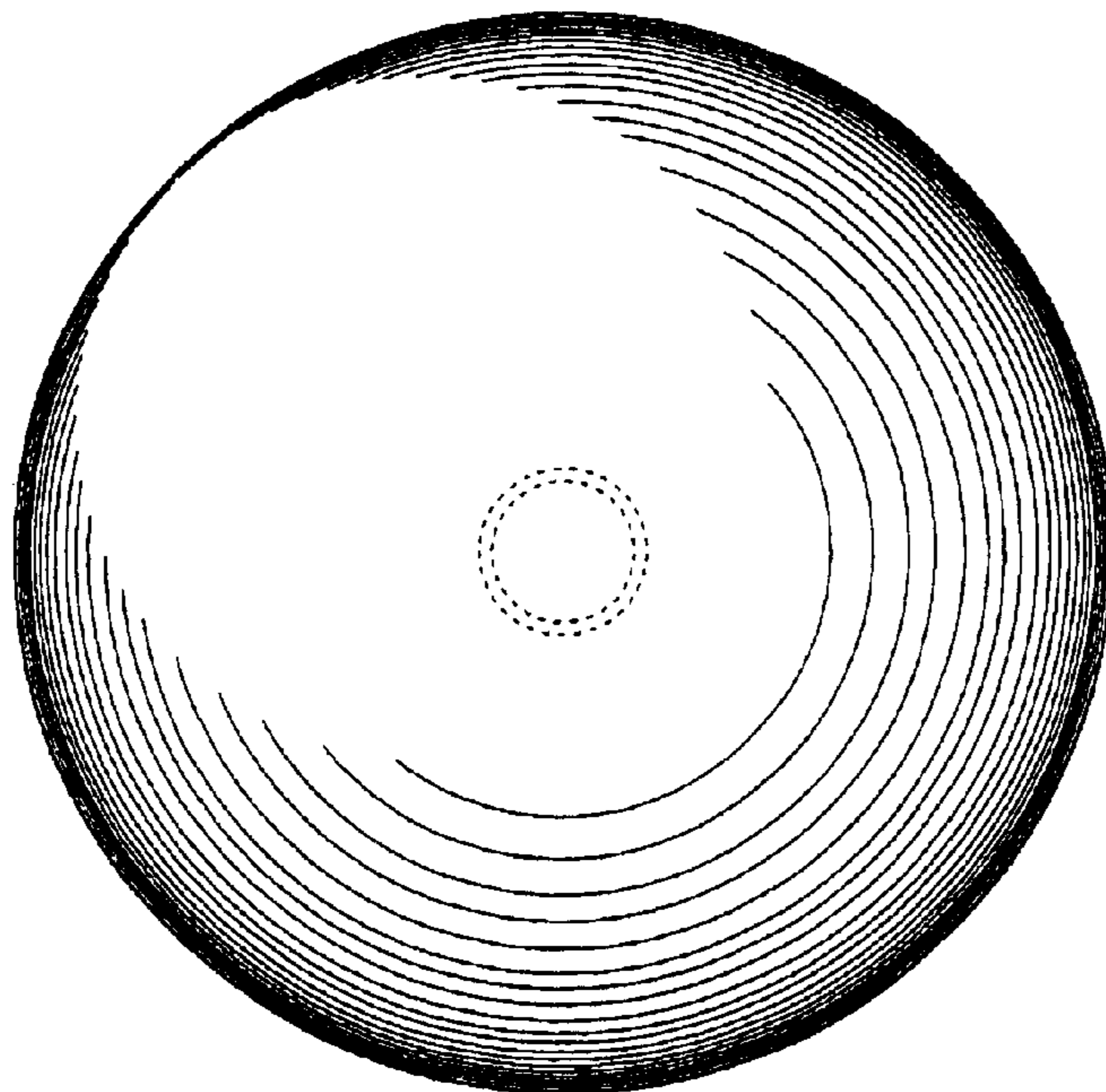


Fig.4

UNITED STATES PATENT AND TRADEMARK OFFICE
CERTIFICATE OF CORRECTION

PATENT NO. : Des. 542,461 S
APPLICATION NO. : 29/226718
DATED : May 8, 2007
INVENTOR(S) : Rolando Hidalgo

Page 1 of 1

It is certified that error appears in the above-identified patent and that said Letters Patent is hereby corrected as shown below:

On the cover page please correct under Attorney, Agent or Firm "Bakers & McKenzie LLP" to read -- Baker & McKenzie LLP --.

Signed and Sealed this

Thirty-first Day of July, 2007

A handwritten signature in black ink on a light gray dotted background. The signature reads "Jon W. Dudas" in a cursive style.

JON W. DUDAS

Director of the United States Patent and Trademark Office