



US00D542459S

(12) **United States Design Patent**
Peterson

(10) **Patent No.:** **US D542,459 S**

(45) **Date of Patent:** **** May 8, 2007**

(54) **VINE SCONCE**

(76) **Inventor:** **Karl W. Peterson**, 12 Canon
Escondido, Sandia Park, NM (US)
87047-8502

(**) **Term:** **14 Years**

(21) **Appl. No.:** **29/255,462**

(22) **Filed:** **Mar. 7, 2006**

(51) **LOC (8) Cl.** **26-03**

(52) **U.S. Cl.** **D26/87; D26/92**

(58) **Field of Classification Search** D26/72,
D26/73, 85-92, 138, 145, 155, 156, 129,
D26/130; 362/147, 404-408, 432
See application file for complete search history.

(56) **References Cited**

U.S. PATENT DOCUMENTS

D167,694 S	*	9/1952	Irmischer	D26/101
D377,400 S	*	1/1997	Blackman	D26/87
D385,376 S	*	10/1997	Milicia	D26/73
D442,727 S	*	5/2001	Hsu	D26/87

OTHER PUBLICATIONS

“Franklin Iron Works” wall sconce. Found on p. 42 of the Jul. 2006—Lamps Plus Summer sale catalog.*

* cited by examiner

Primary Examiner—Clare E Heflin

(74) *Attorney, Agent, or Firm*—Janeen Vilven-Doggett; Peacock Myers, P.C.

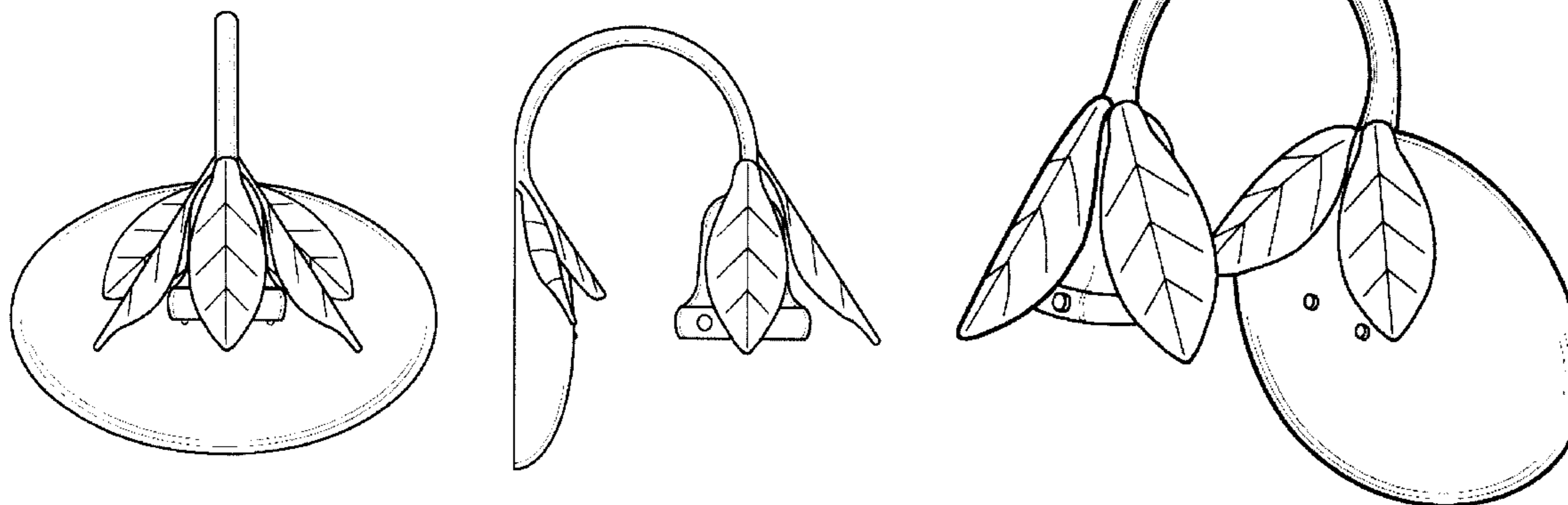
(57) **CLAIM**

The ornamental design for a vine sconce, as shown and described.

DESCRIPTION

FIG. 1 is a front view of a vine sconce;
FIG. 2 is a back view thereof;
FIG. 3 is a right side view thereof;
FIG. 4 is a left side view thereof;
FIG. 5 is a top view thereof; and,
FIG. 6 is a bottom view thereof;
FIG. 7 is a perspective view thereof; and,
FIG. 8 is a perspective view showing texture.

1 Claim, 5 Drawing Sheets



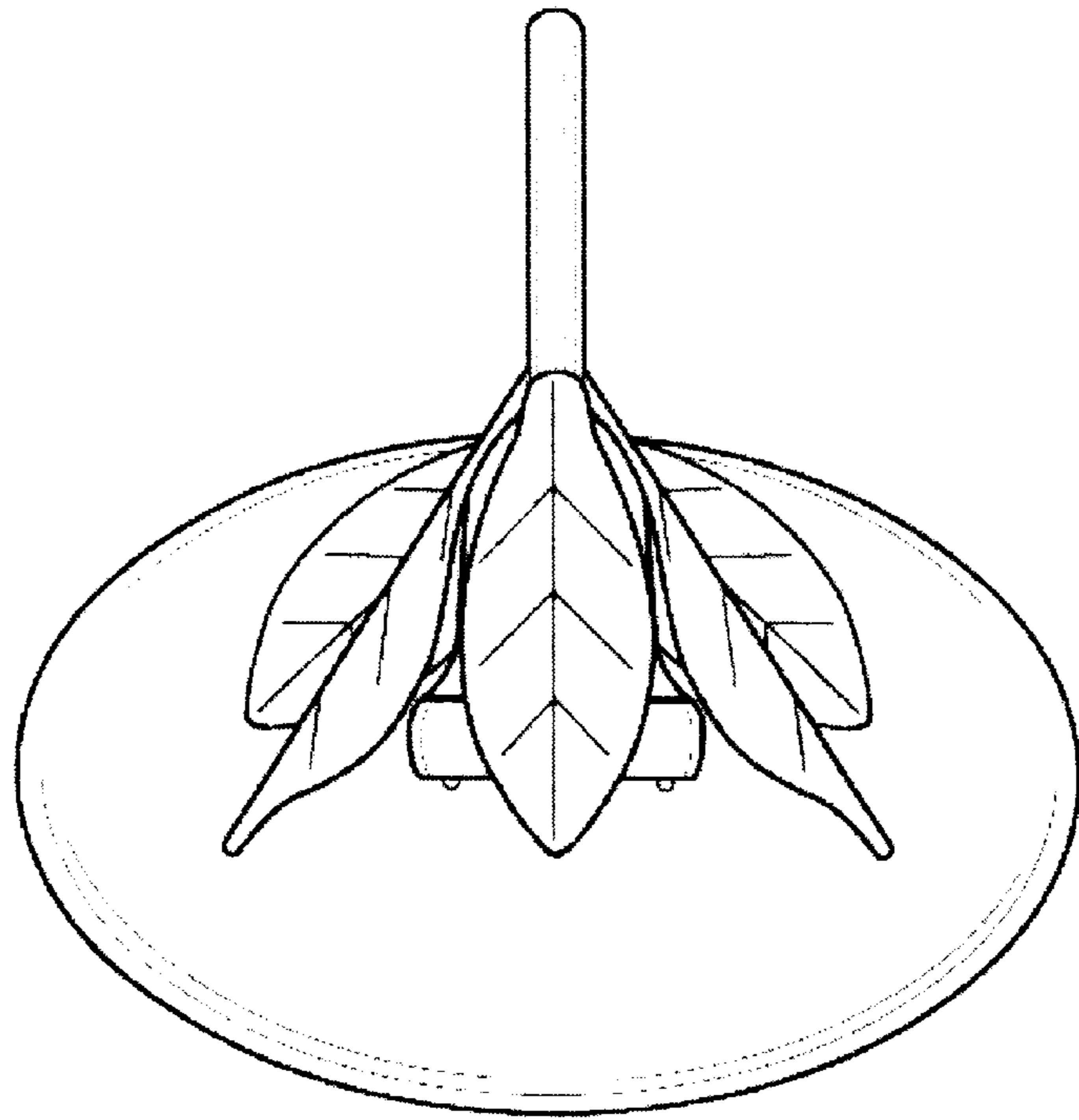


FIG. 1

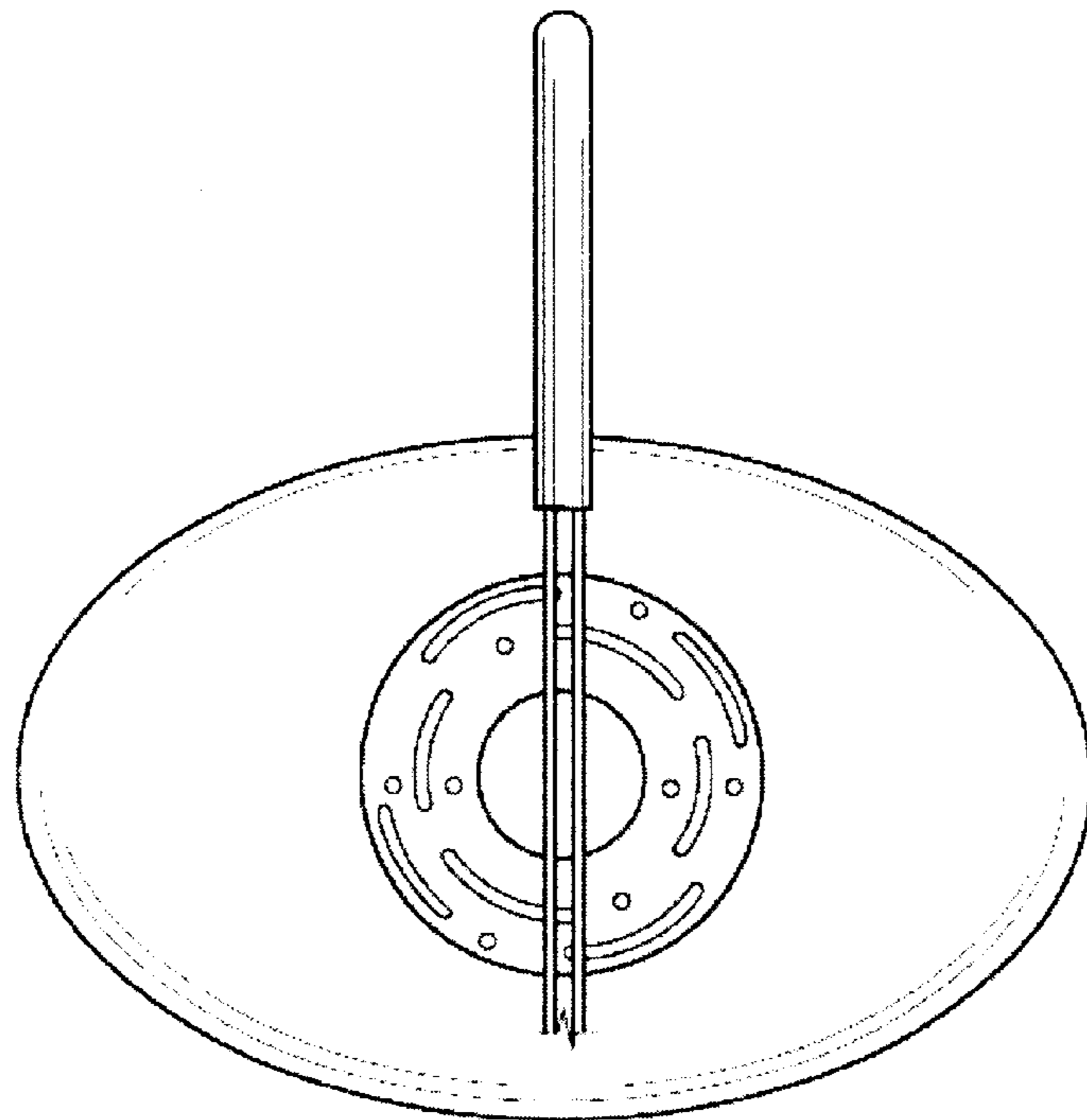


FIG. 2

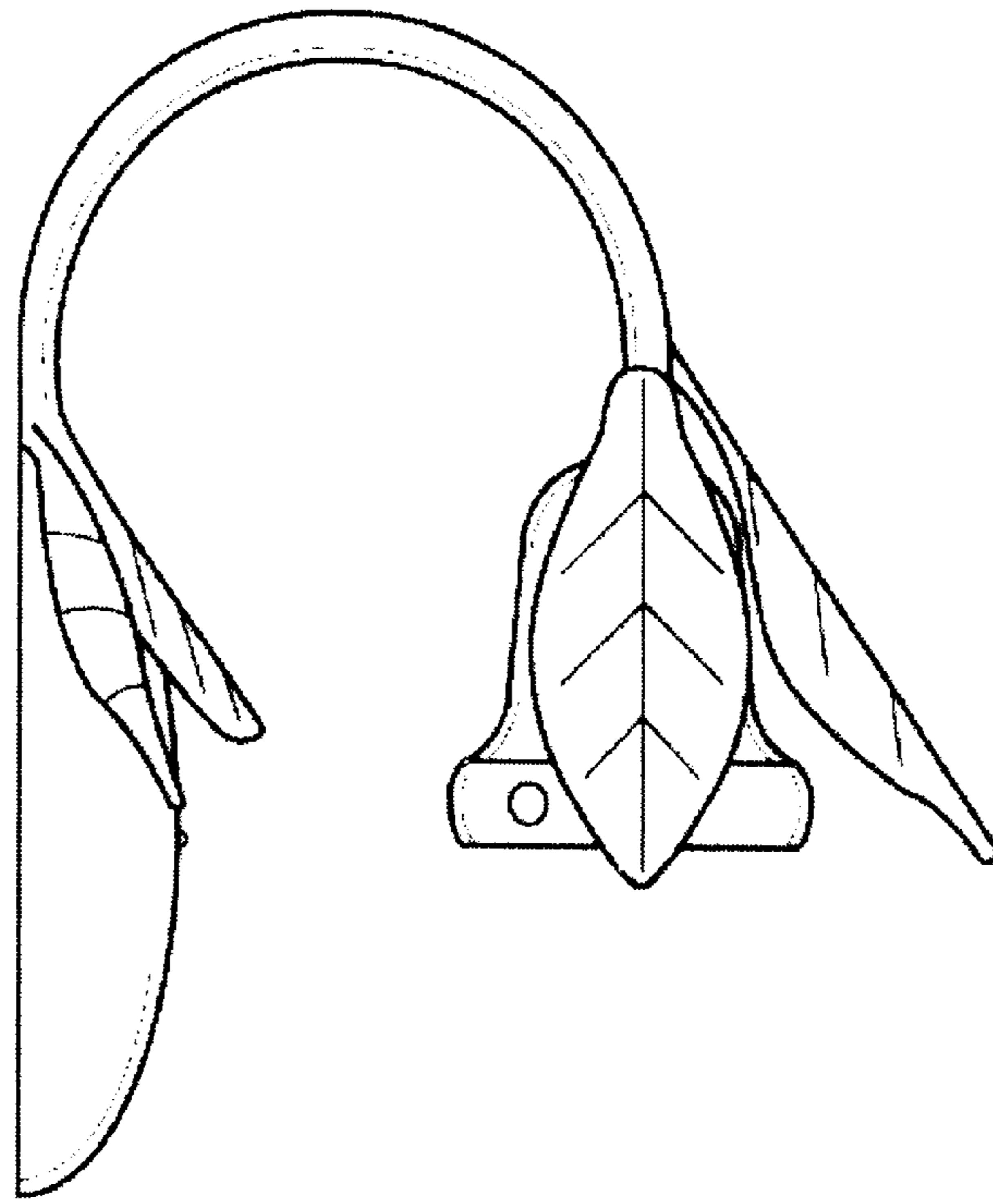


FIG. 3

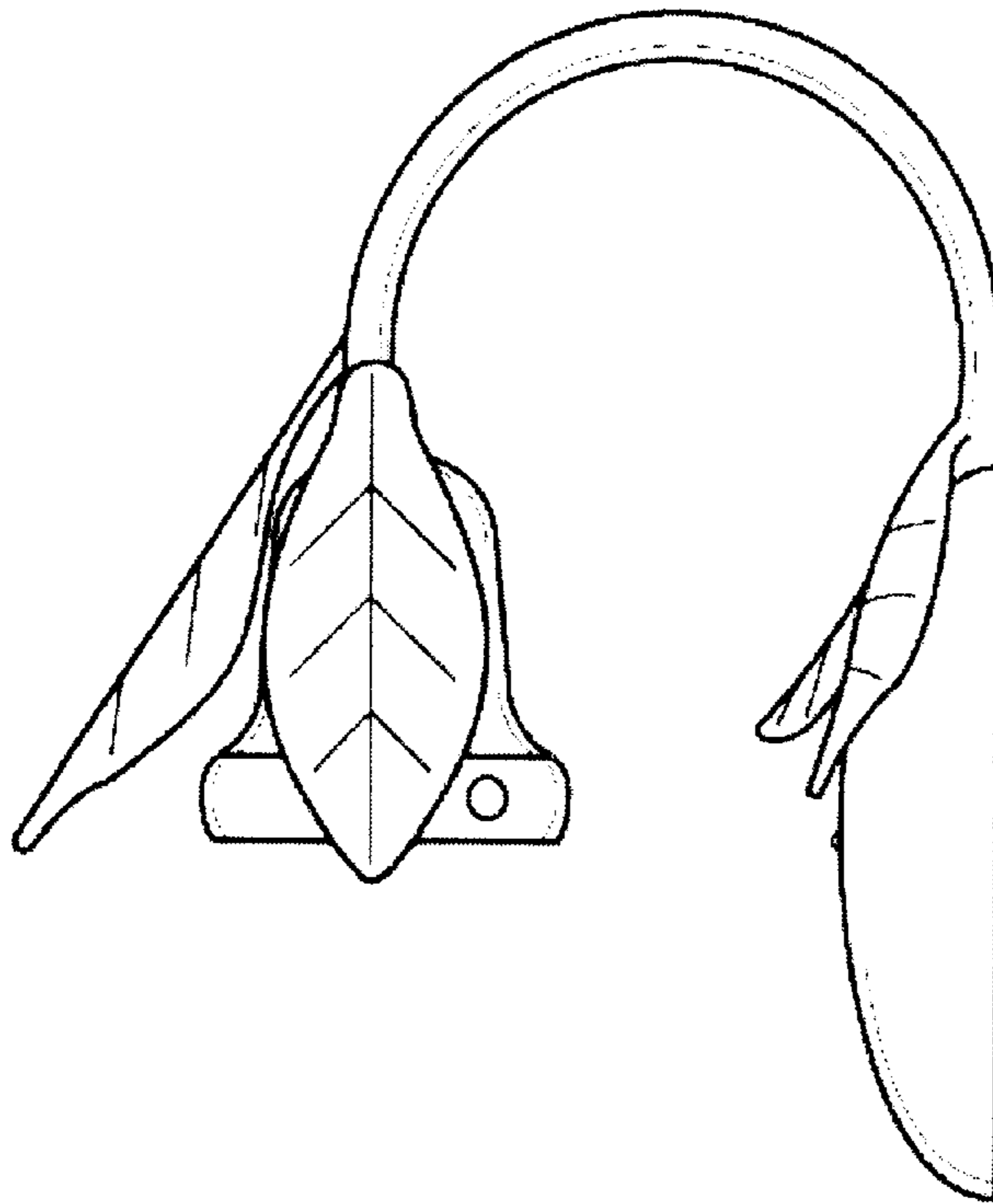


FIG. 4

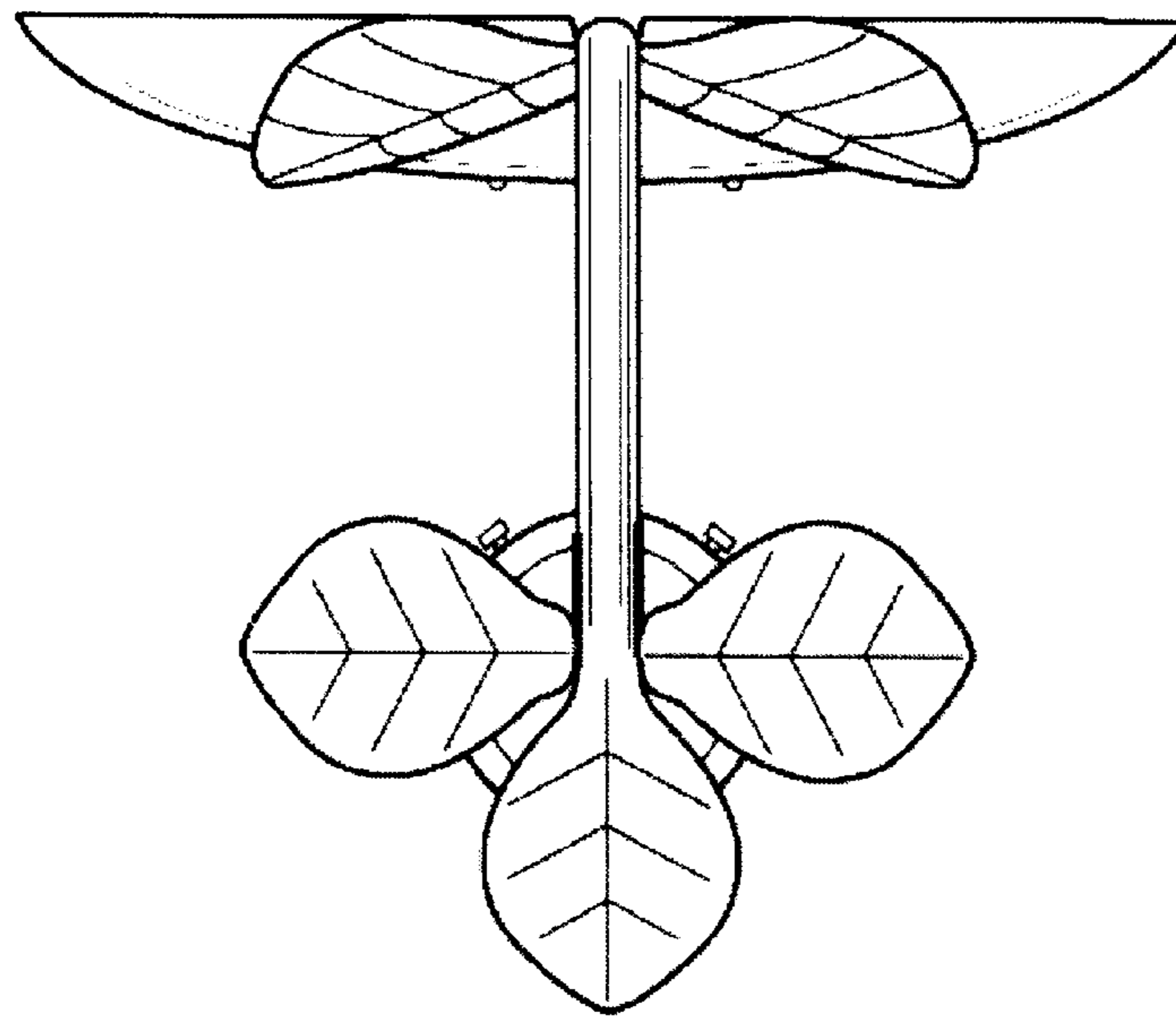


FIG. 5

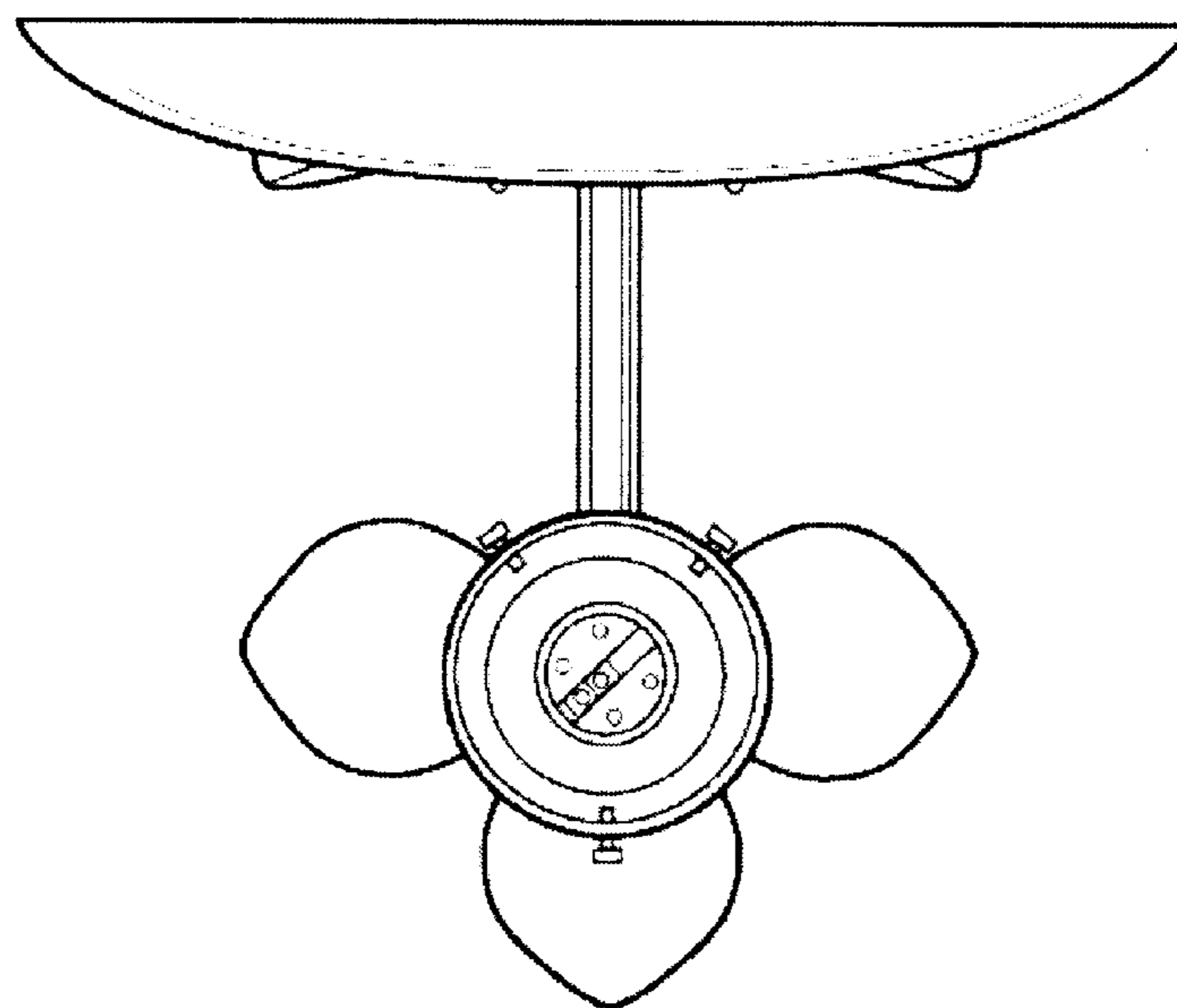


FIG. 6

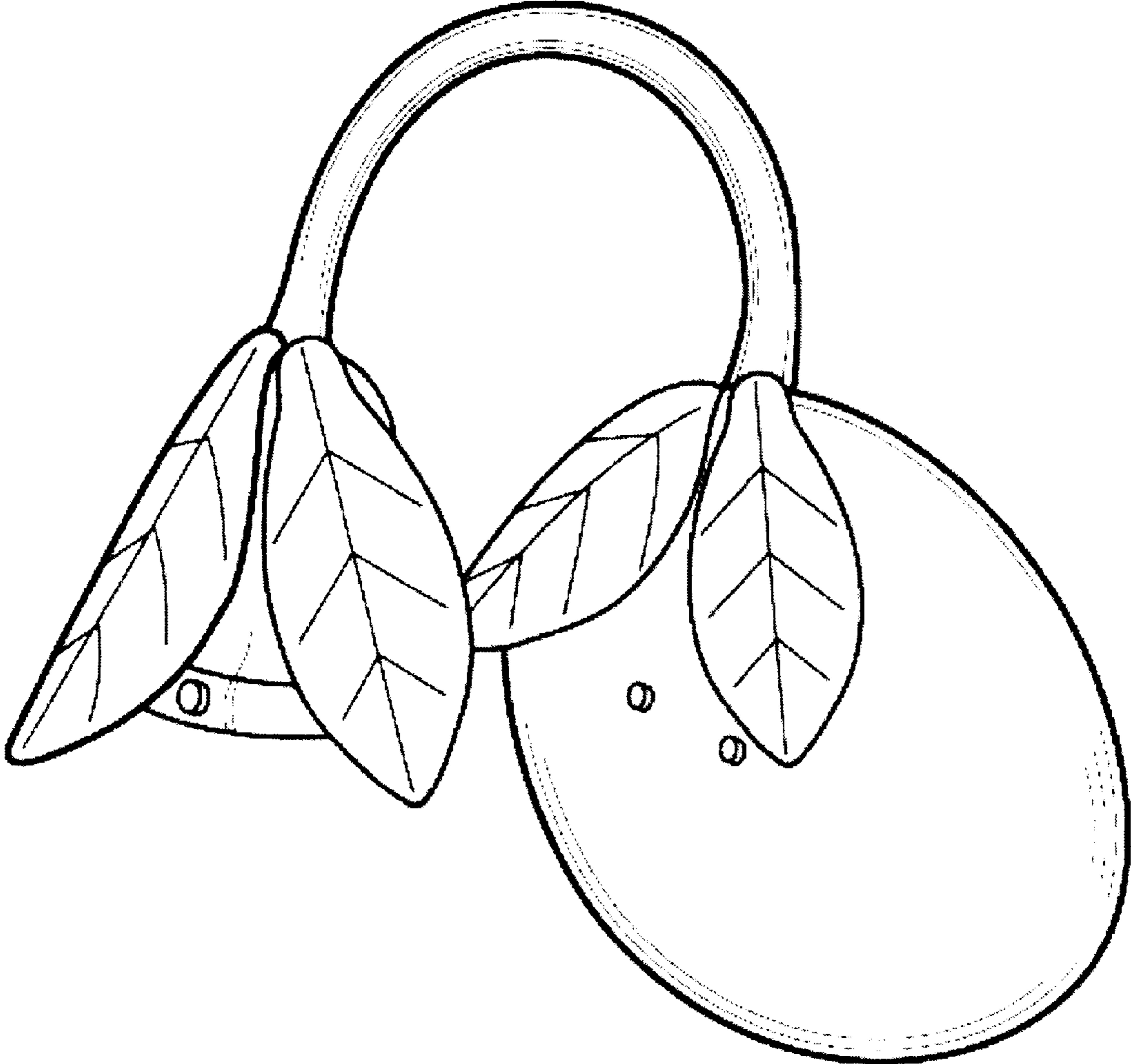


FIG. 7

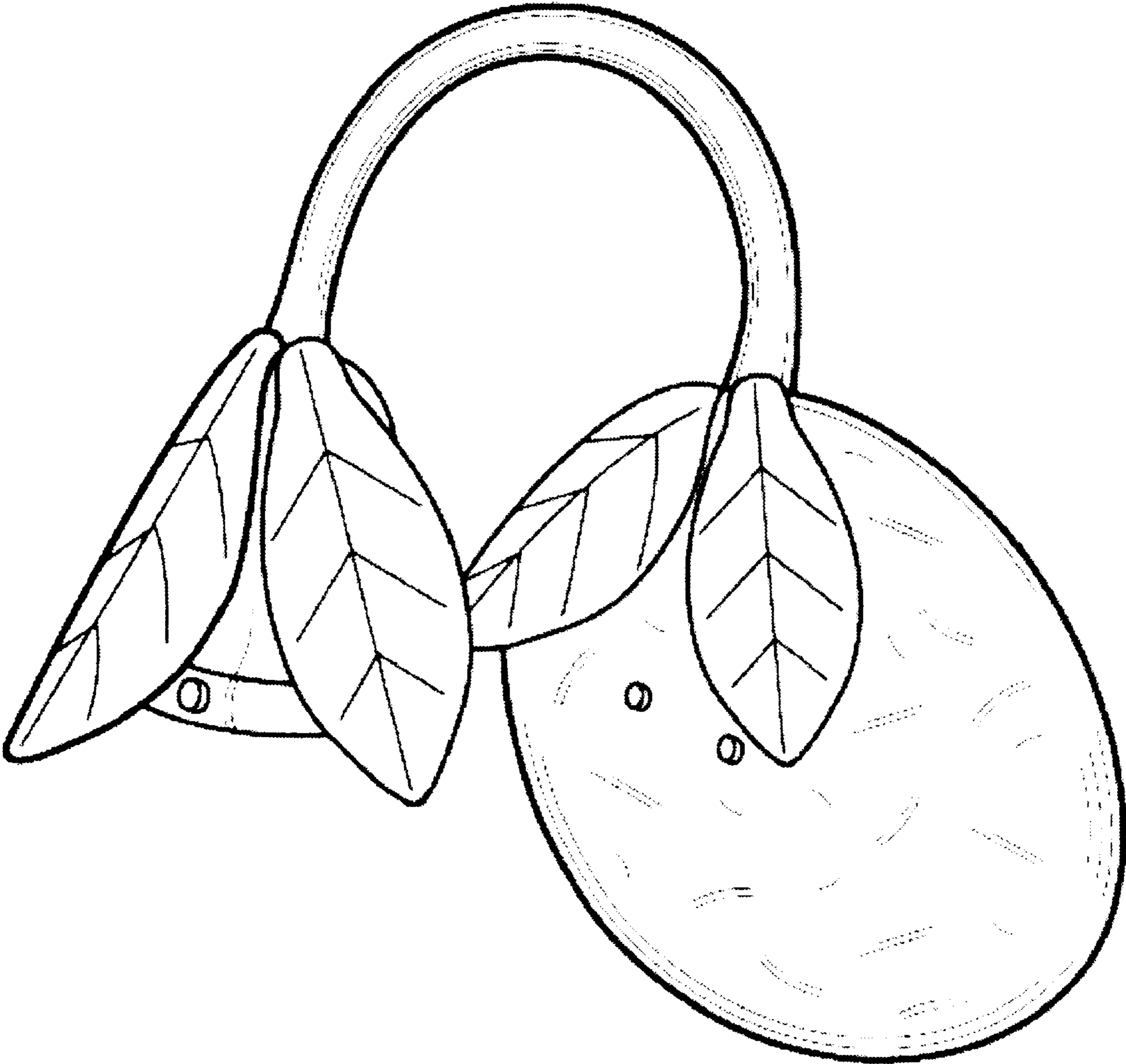


FIG. 8