

US00D542458S

(12) **United States Design Patent**  
**Blackman**

(10) **Patent No.:** **US D542,458 S**

(45) **Date of Patent:** **\*\* May 8, 2007**

(54) **DECORATIVE LIGHTING FIXTURE**

(75) **Inventor:** **Stephen Blackman**, Buffalo Grove, IL (US)

(73) **Assignee:** **American Fluorescent Corporation**, Waukegan, IL (US)

(\*\*) **Term:** **14 Years**

(21) **Appl. No.:** **29/218,887**

(22) **Filed:** **Dec. 9, 2004**

(51) **LOC (8) Cl.** ..... **26-03**

(52) **U.S. Cl.** ..... **D26/81; D26/84**

(58) **Field of Classification Search** ..... D26/72, D26/80-92; 362/147, 806, 404-408  
See application file for complete search history.

(56) **References Cited**

**U.S. PATENT DOCUMENTS**

D63,537 S	*	12/1923	Warman	.....	D26/81
D63,878 S	*	2/1924	Cooper	.....	D26/81
D101,033 S	*	9/1936	Glatthar et al.	.....	D26/81
D358,901 S	*	5/1995	Benghozi	.....	D26/81
D361,857 S	*	8/1995	Porter	.....	D26/81
D382,664 S	*	8/1997	Benghozi	.....	D26/81
D401,002 S	*	11/1998	Keen	.....	D26/81
D418,242 S	*	12/1999	Diaz-Azcuy	.....	D26/84

D483,142 S	*	12/2003	Hsu	.....	D26/81
D488,881 S	*	4/2004	Dolan	.....	D26/81
D498,870 S	*	11/2004	Parres	.....	D26/86
D499,507 S	*	12/2004	Parres	.....	D26/143

\* cited by examiner

*Primary Examiner*—Clare E Heflin

(74) *Attorney, Agent, or Firm*—Gerald M. Newman

(57) **CLAIM**

The ornamental design for a decorative lighting fixture, as shown and described.

**DESCRIPTION**

FIG. 1 is a perspective view of a decorative lighting fixture or similar article embodying my new design.

FIG. 2 is a right elevational view of the design shown in FIG. 1.

FIG. 3 is a front elevational view of the design shown in FIG. 1.

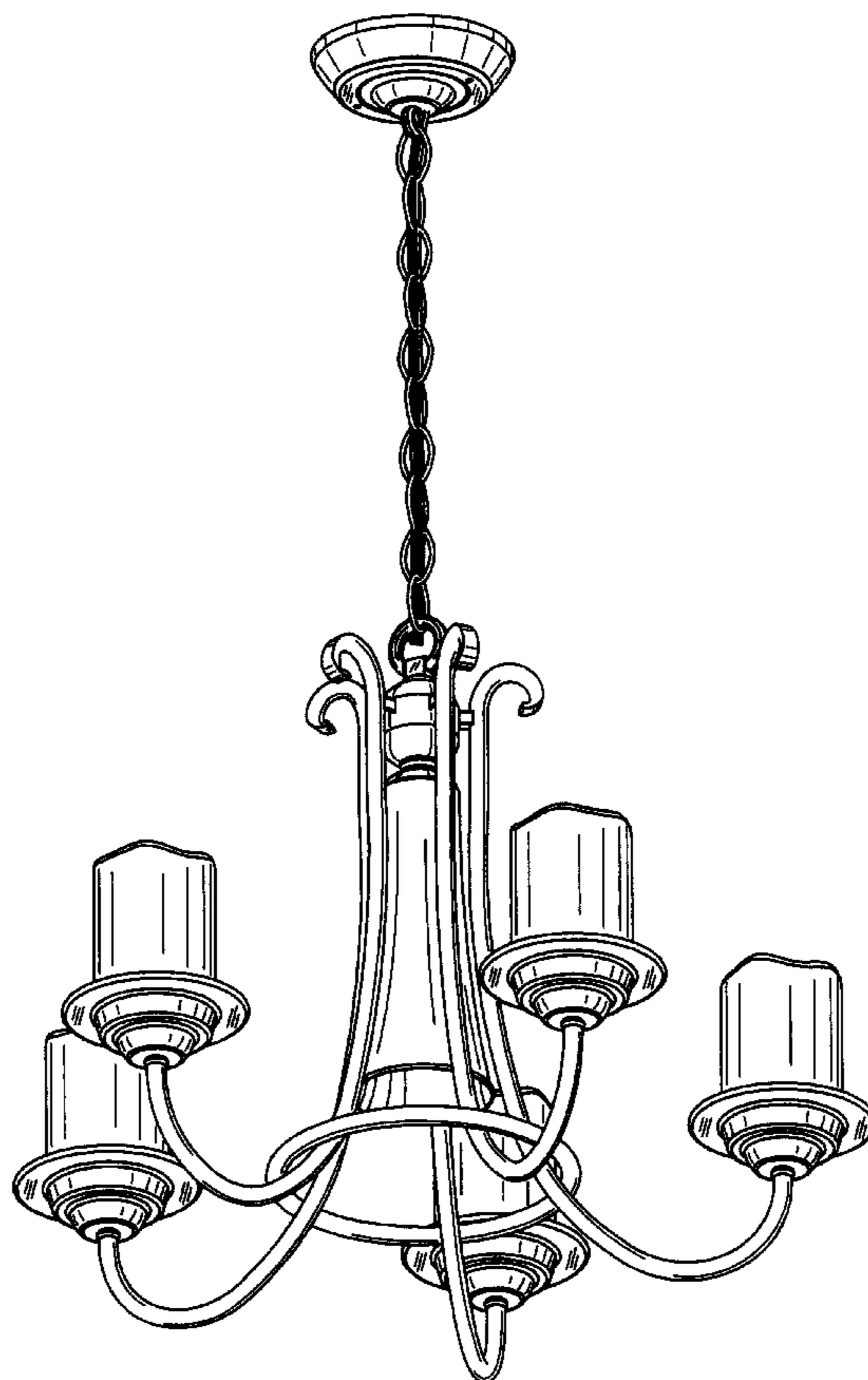
FIG. 4 is a top plan view of the design shown in FIG. 1.

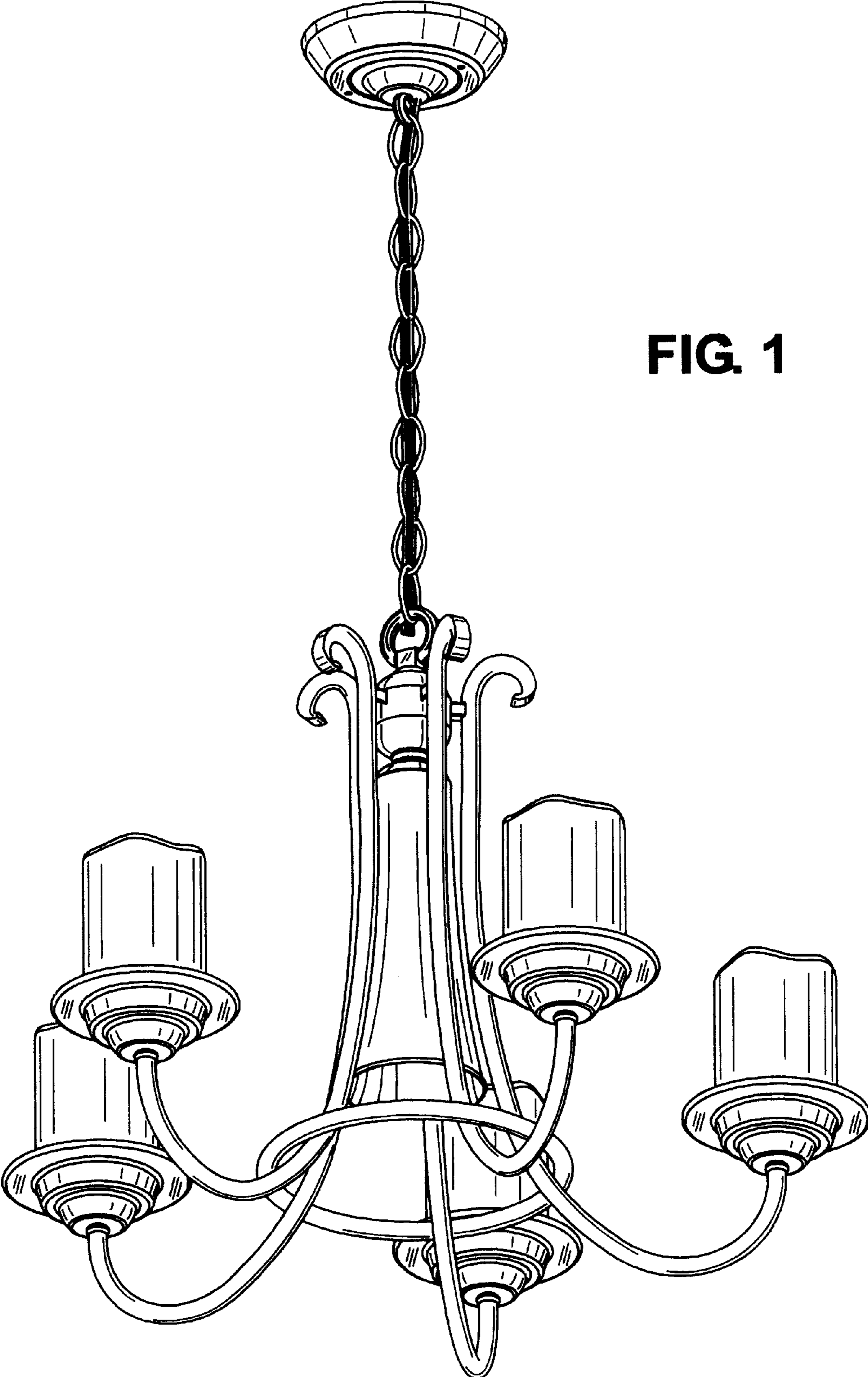
FIG. 5 is a left elevational view of the design shown in FIG. 1.

FIG. 6 is a back elevational view of the design shown in FIG. 1; and,

FIG. 7 is a bottom plan view of the design shown in FIG. 1.

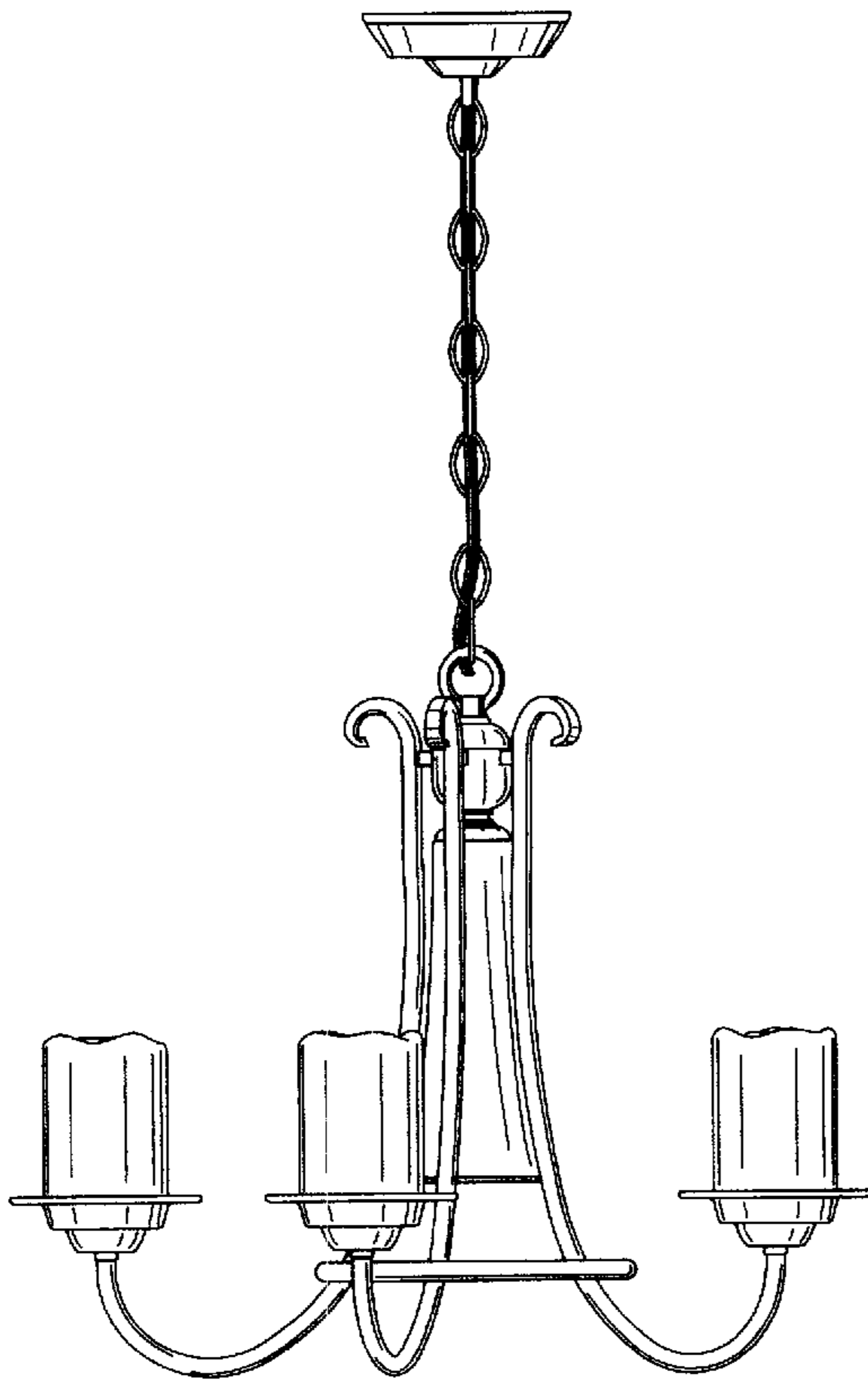
**1 Claim, 3 Drawing Sheets**



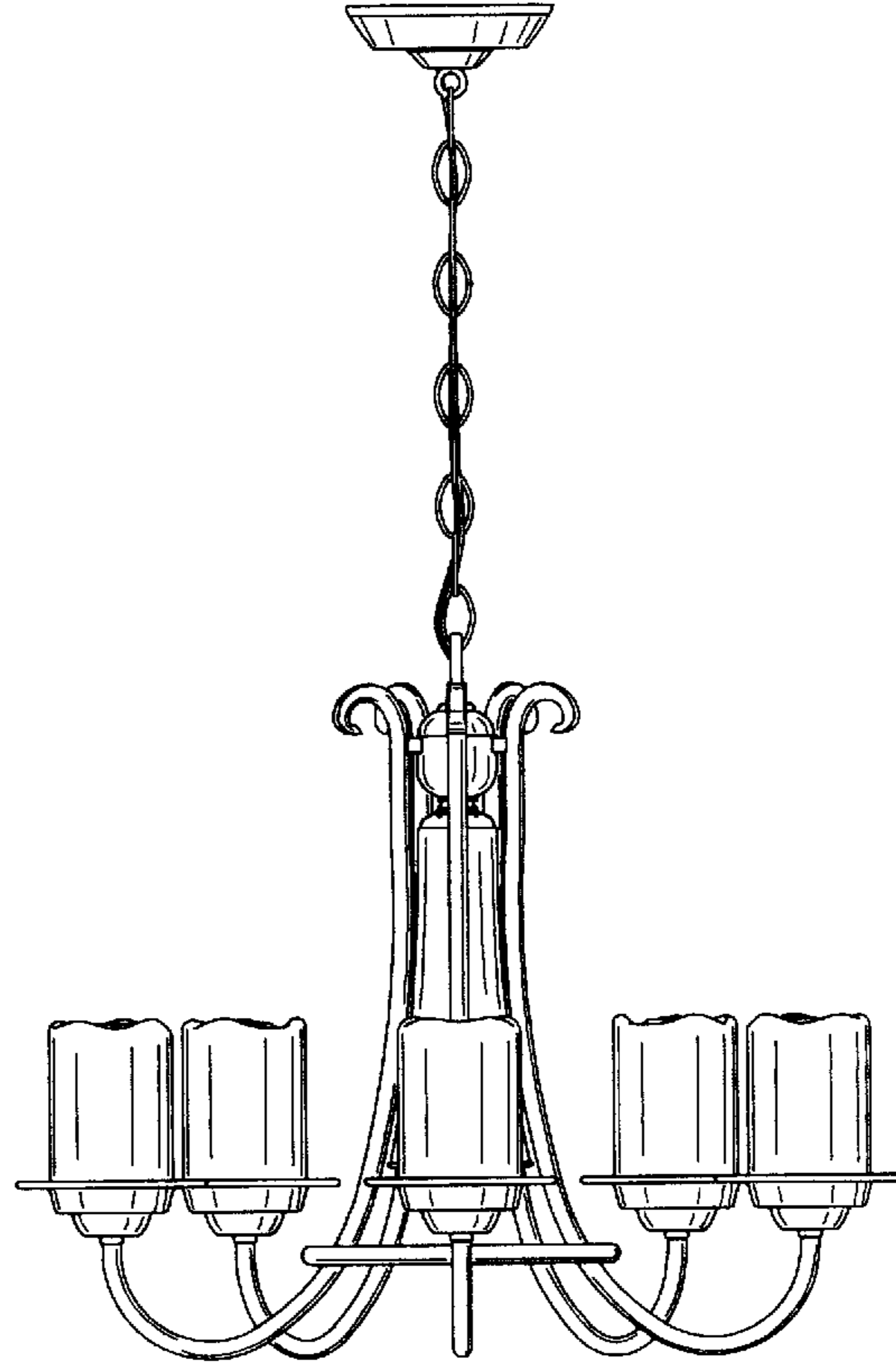


**FIG. 1**

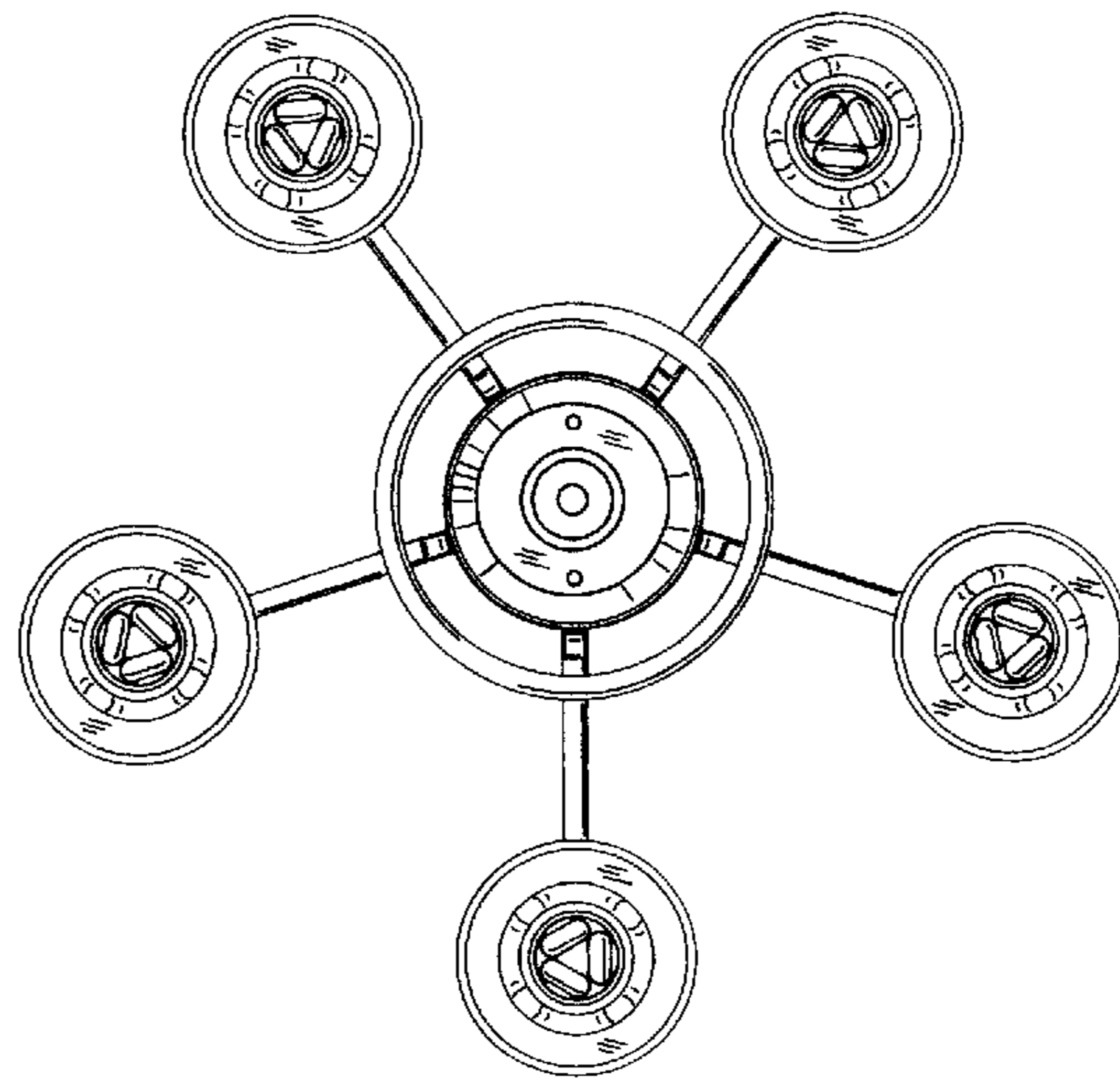
**FIG. 2**



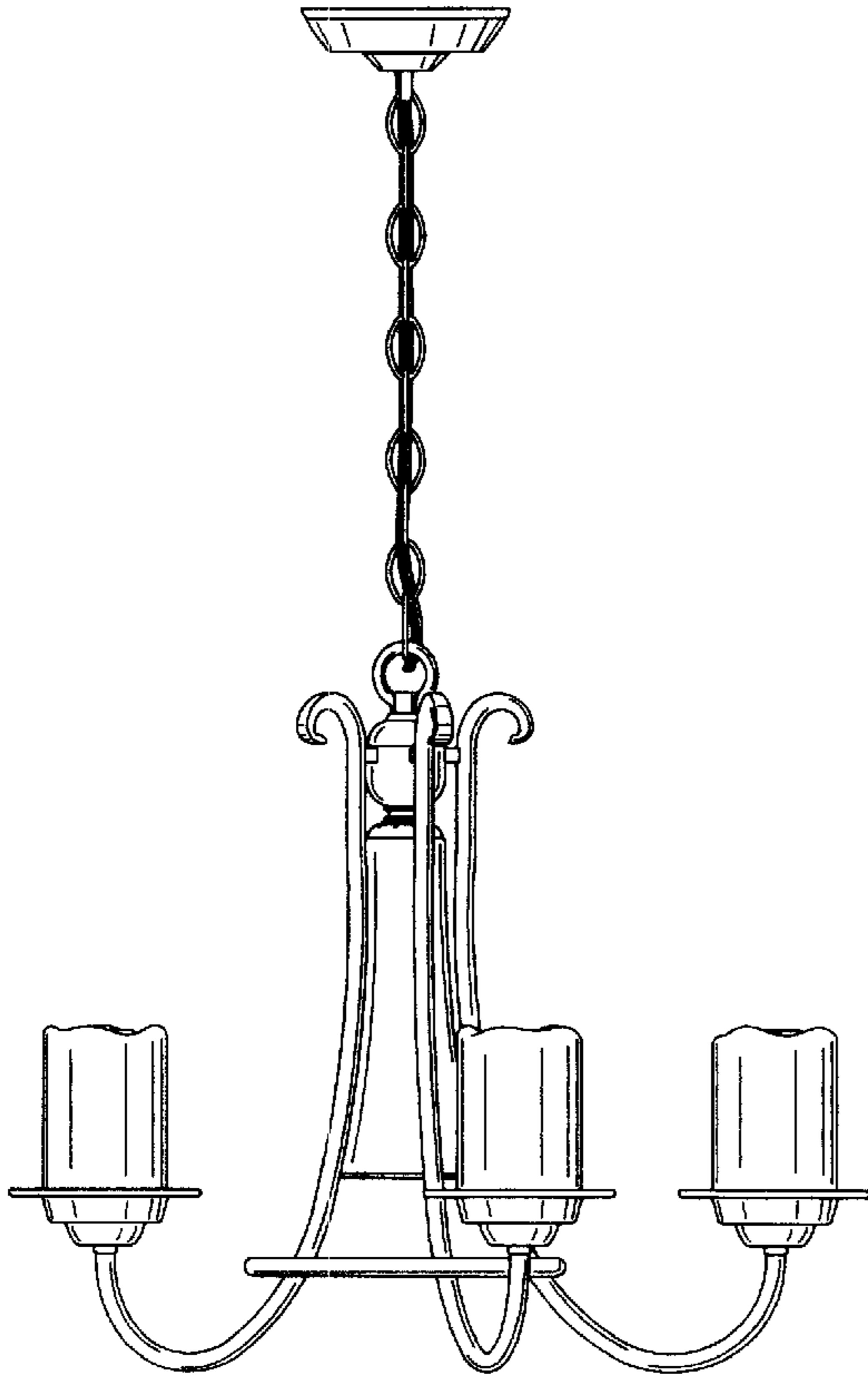
**FIG. 3**



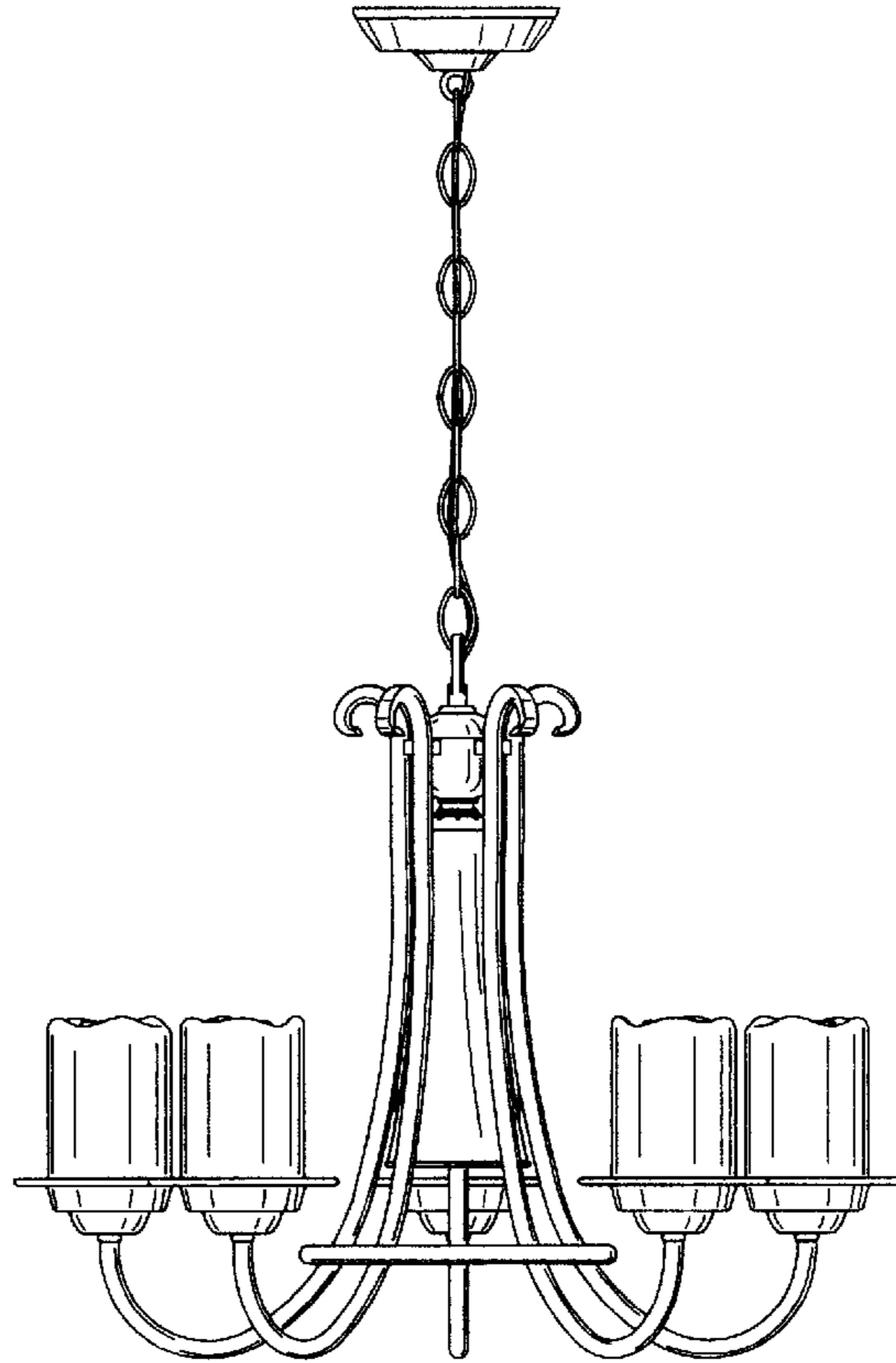
**FIG. 4**



**FIG. 5**



**FIG. 6**



**FIG. 7**

